



US00D726359S

(12) **United States Design Patent**
Grigore et al.

(10) **Patent No.:** **US D726,359 S**

(45) **Date of Patent:** **** Apr. 7, 2015**

(54) **EDGELIT RECESSED LUMINAIRE**

(71) Applicants: **Valerica Grigore**, Longmont, CO (US);
Marc Raymond O’Leary, Aurora, CO (US)

(72) Inventors: **Valerica Grigore**, Longmont, CO (US);
Marc Raymond O’Leary, Aurora, CO (US)

(73) Assignee: **Cooper Technologies Company**,
Houston, TX (US)

(**) Term: **14 Years**

(21) Appl. No.: **29/452,682**

(22) Filed: **Apr. 19, 2013**

(51) **LOC (10) Cl.** **26-05**

(52) **U.S. Cl.**
USPC **D26/74**

(58) **Field of Classification Search**
USPC D26/51, 56, 57, 61, 72–91, 92–102,
D26/108, 109, 113, 118; 362/3, 11, 12, 16,
362/145, 147–150, 217.01–217.12, 257,
362/291, 296.01, 317, 362–368, 558, 563,
362/564, 576, 805–809, 811; D25/35, 47.1,
D25/48.7, 60

See application file for complete search history.

(56) **References Cited**

U.S. PATENT DOCUMENTS

3,852,916 A * 12/1974 Laby 49/409
6,435,701 B1 * 8/2002 Chen 362/368

D526,737 S * 8/2006 Noh D26/78
D604,863 S * 11/2009 Ray D25/48.7
D662,643 S * 6/2012 Takahashi et al. D26/76
D698,975 S * 2/2014 Blessitt et al. D26/74
2005/0235570 A1 * 10/2005 Ginzel 49/409
2006/0018126 A1 * 1/2006 Choi et al. 362/600

* cited by examiner

Primary Examiner — Garth Rademaker

Assistant Examiner — Llorellys Martinez-Rivera

(74) *Attorney, Agent, or Firm* — King & Spalding LLP

(57) **CLAIM**

The ornamental design for an edgelit recessed luminaire, as shown and described.

DESCRIPTION

FIG. 1 is a perspective top view of an edgelit recessed luminaire, showing our new design;
FIG. 2 is a perspective bottom view thereof;
FIG. 3 is a top plan view thereof;
FIG. 4 is a bottom plan view thereof;
FIG. 5 is a front elevation view thereof;
FIG. 6 is a back elevation view thereof;
FIG. 7 is a left-side elevation view thereof; and,
FIG. 8 is a right-side elevation view thereof.
The broken lines shown in the drawings represent unclaimed portions of the edgelit recessed luminaire and form no part of the claimed design.

1 Claim, 6 Drawing Sheets

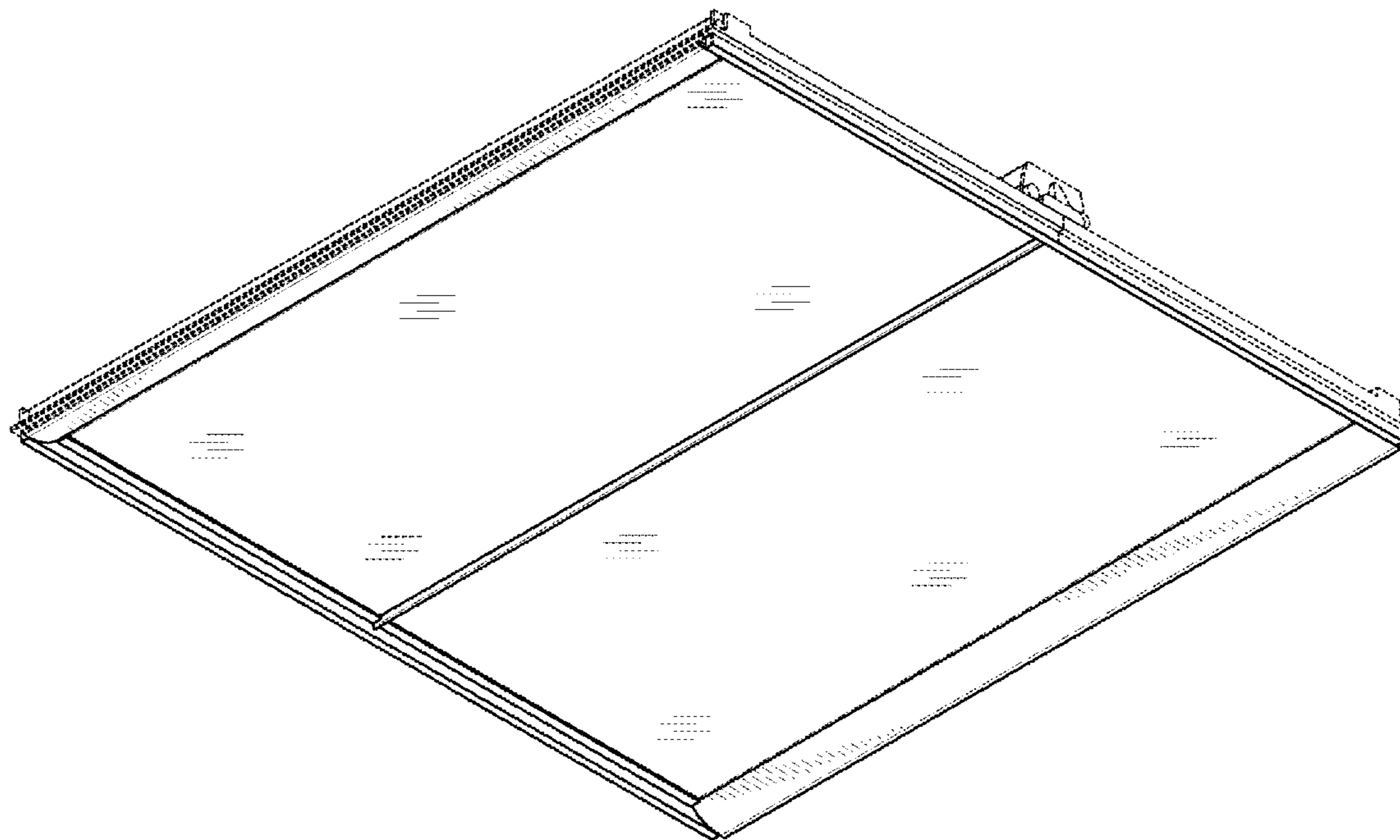


FIG. 1

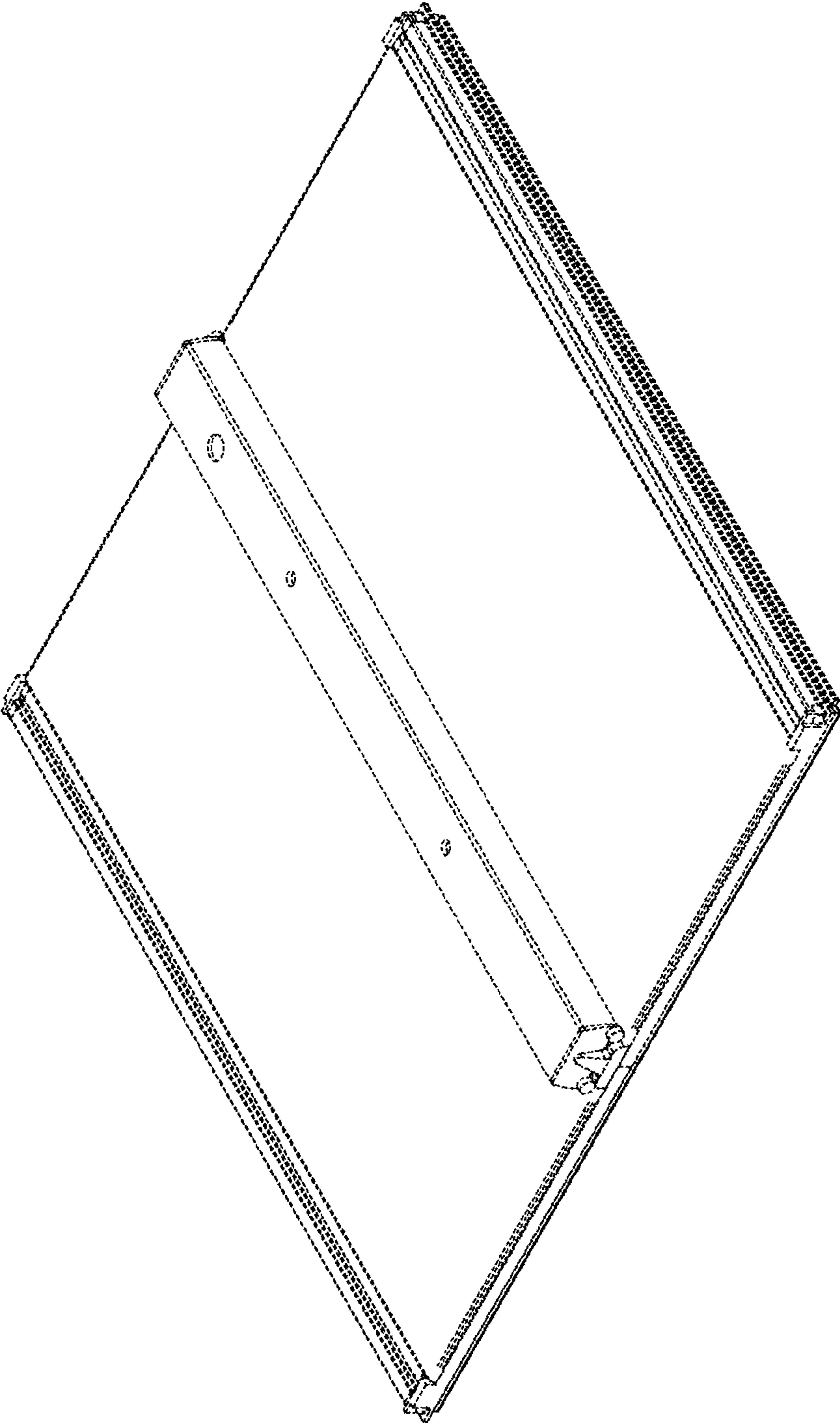


FIG. 2

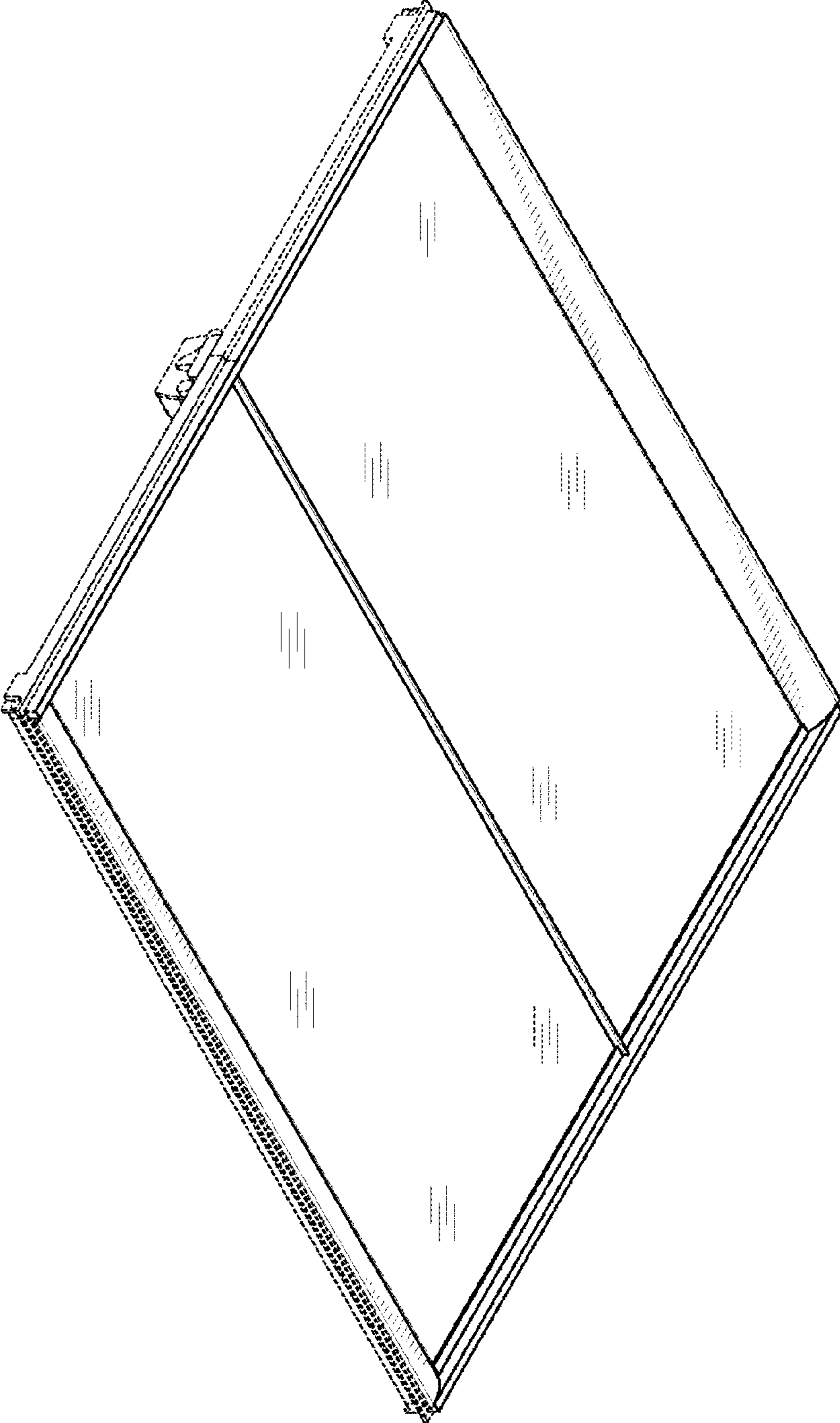


FIG. 3

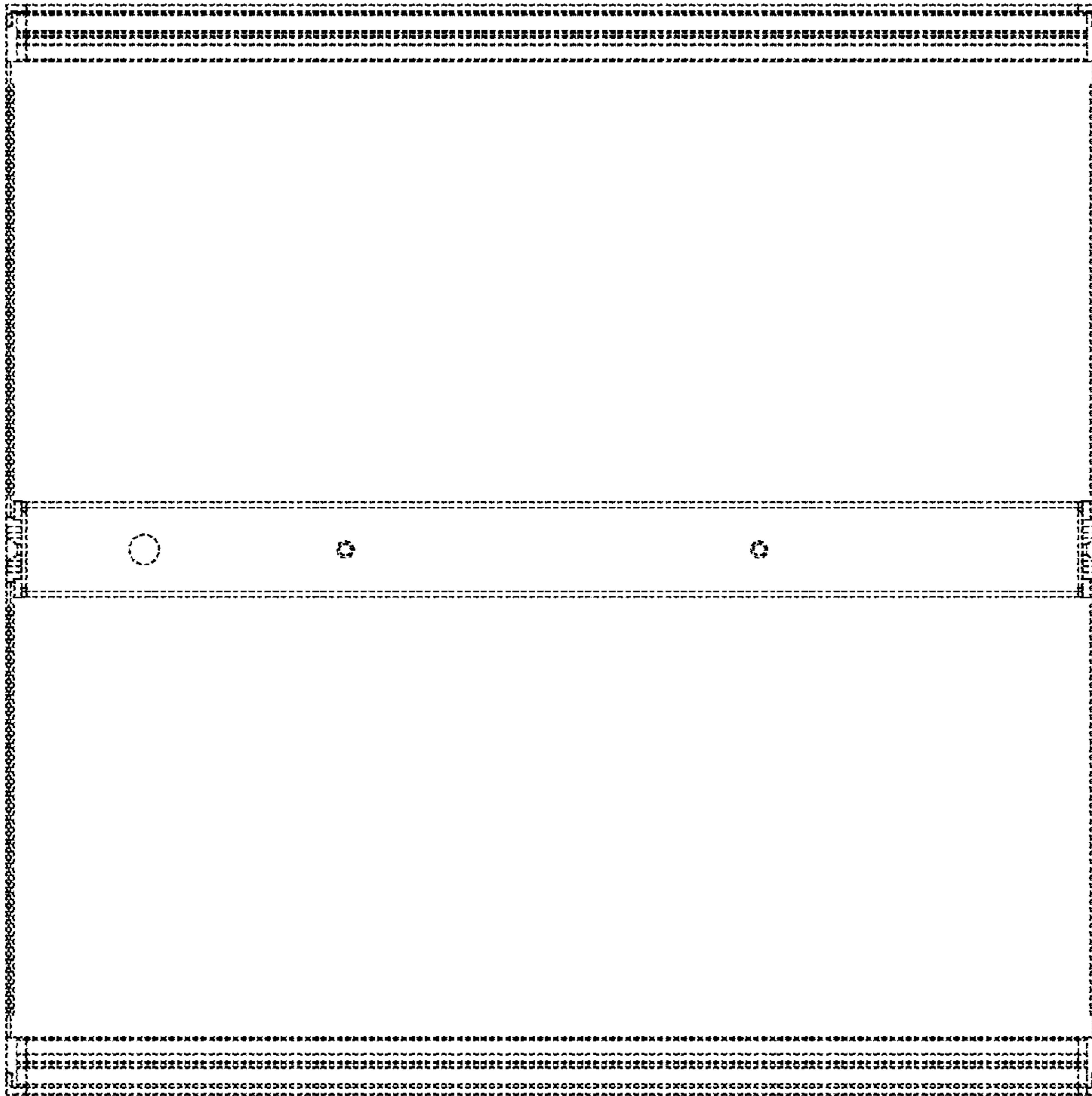


FIG. 4

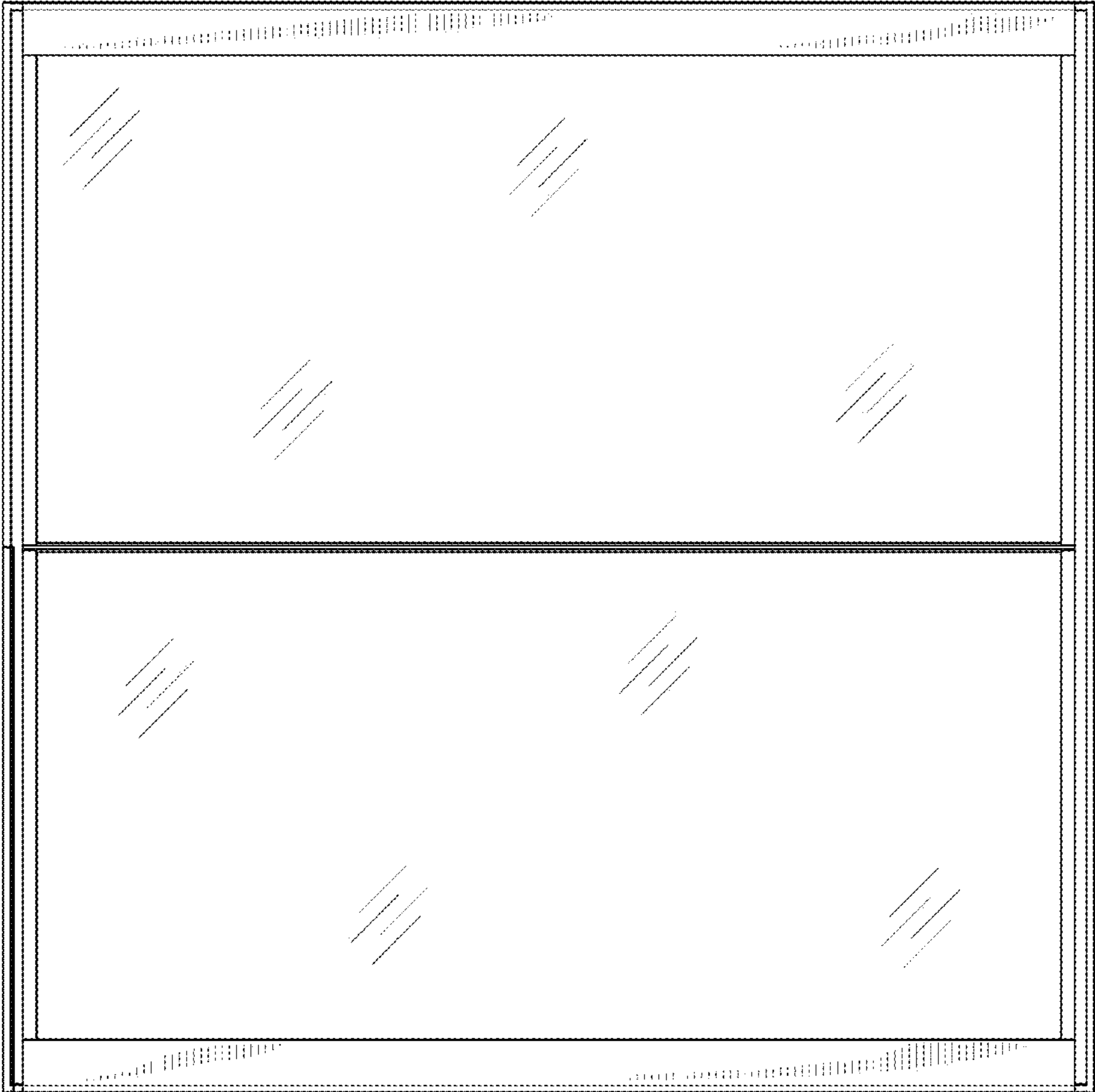


FIG. 5

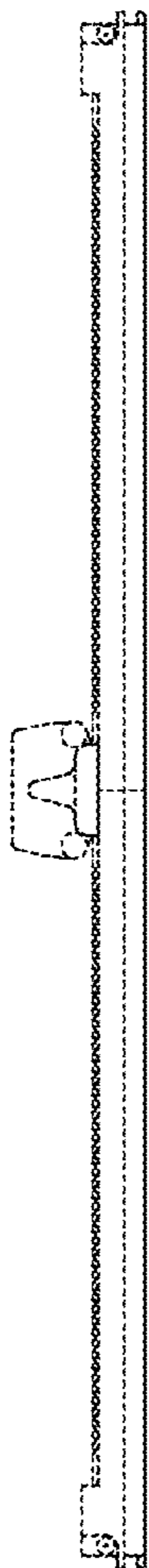


FIG. 6

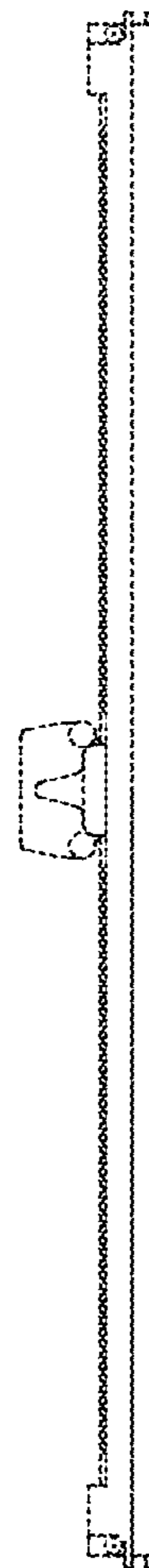


FIG. 7

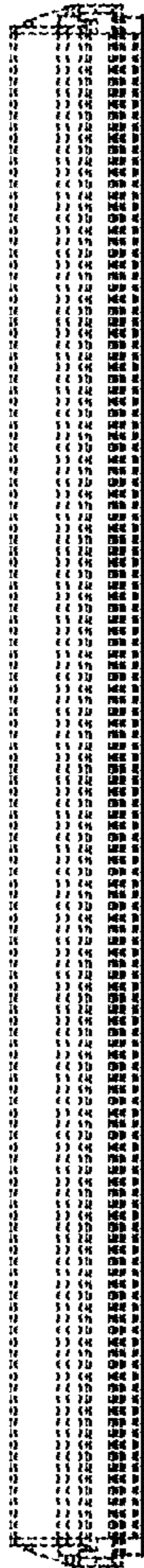


FIG. 8

