



US00D726358S

(12) **United States Design Patent**
Young

(10) **Patent No.:** **US D726,358 S**

(45) **Date of Patent:** **** Apr. 7, 2015**

(54) **FLASHLIGHT**

(71) Applicant: **Wyn-Guy Dale Young**, Kowloon (HK)

(72) Inventor: **Wyn-Guy Dale Young**, Kowloon (HK)

(73) Assignee: **Caltraco International Limited**,
Kowloon (HK)

(**) Term: **14 Years**

(21) Appl. No.: **29/456,270**

(22) Filed: **May 30, 2013**

(51) **LOC (10) Cl.** **26-02**

(52) **U.S. Cl.**
USPC **D26/49; D26/40**

(58) **Field of Classification Search**
USPC D26/37, 38, 40, 41, 46, 48, 49, 50, 51;
362/157, 158, 171-174, 183, 184,
362/194-196, 200-208, 253

See application file for complete search history.

D585,577 S *	1/2009	Bonis	D26/49
D600,382 S *	9/2009	Chen	D26/49
D601,286 S *	9/2009	Chen	D26/49
D601,735 S *	10/2009	Chen	D26/49
D601,736 S *	10/2009	Swan	D26/49
D604,877 S *	11/2009	Kung	D26/49
D606,222 S *	12/2009	Gebhard	D26/49
D621,538 S *	8/2010	Bushee	D26/49
D646,008 S *	9/2011	Couture	D26/49
D656,260 S *	3/2012	Kung	D26/49
D671,249 S *	11/2012	Sheikh et al.	D26/38
D673,315 S *	12/2012	Milz et al.	D26/49
D675,763 S *	2/2013	Levine	D26/40

* cited by examiner

Primary Examiner — Ian Simmons

Assistant Examiner — Carissa C Fitts

(57) **CLAIM**

The ornamental design for a flashlight, as shown and described.

DESCRIPTION

FIG. 1 is a front elevational view of a flashlight showing my new design;

FIG. 2 is a rear elevational view thereof;

FIG. 3 is a left side view thereof;

FIG. 4 is a right side view thereof;

FIG. 5 is a top plan view thereof;

FIG. 6 is a bottom plan view thereof; and,

FIG. 7 is a perspective view thereof.

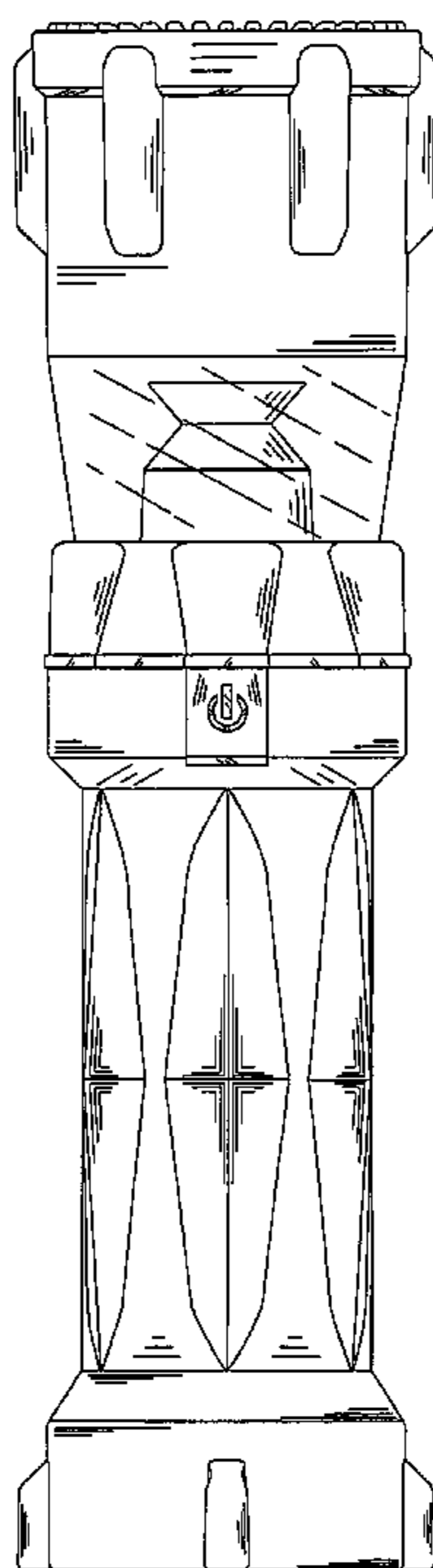
Portions of the flashlight shown in broken lines form no part of the claimed design.

1 Claim, 5 Drawing Sheets

(56) **References Cited**

U.S. PATENT DOCUMENTS

D293,482 S *	12/1987	Geissler	D26/49
D317,057 S *	5/1991	Argandona	D26/40
D321,568 S *	11/1991	Yuen	D26/42
5,530,633 A *	6/1996	Yuen	362/184
D486,598 S *	2/2004	Lo	D26/40
D537,968 S *	3/2007	Shiu	D26/40
D554,281 S *	10/2007	Bushee et al.	D26/37
D566,314 S *	4/2008	Jen	D26/49
D569,538 S *	5/2008	Leung	D26/49
D581,568 S *	11/2008	Bertken	D26/40



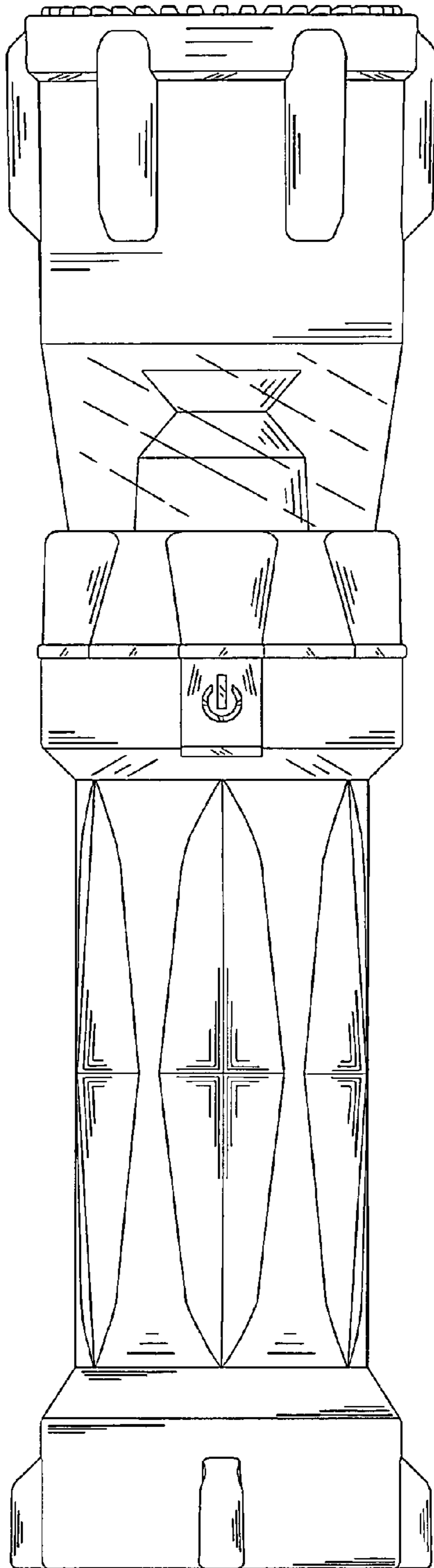


FIG. 1

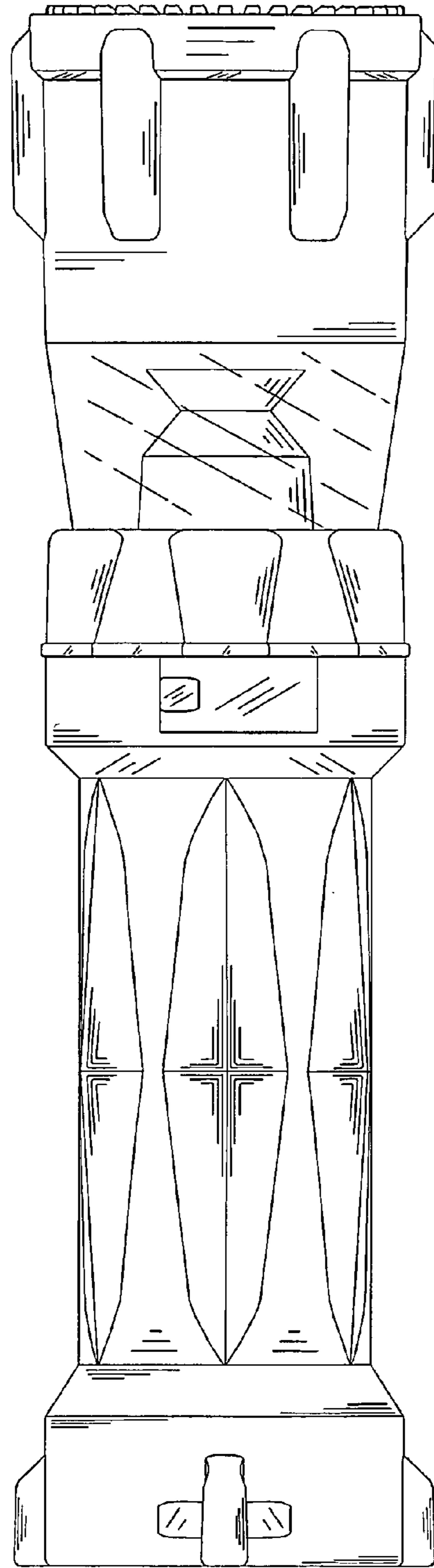


FIG. 2

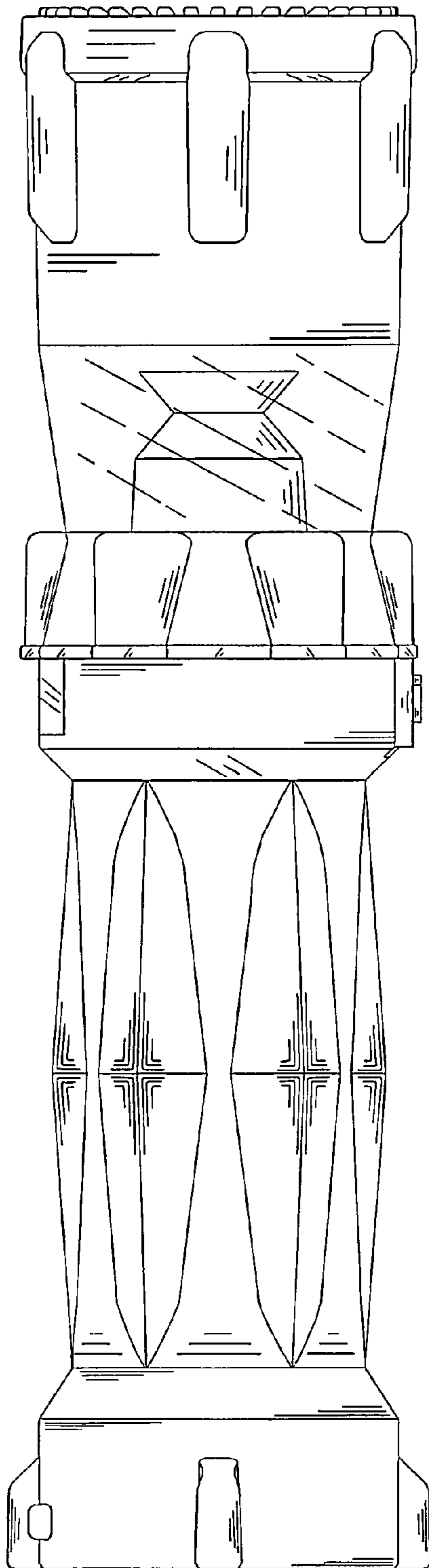


FIG. 3

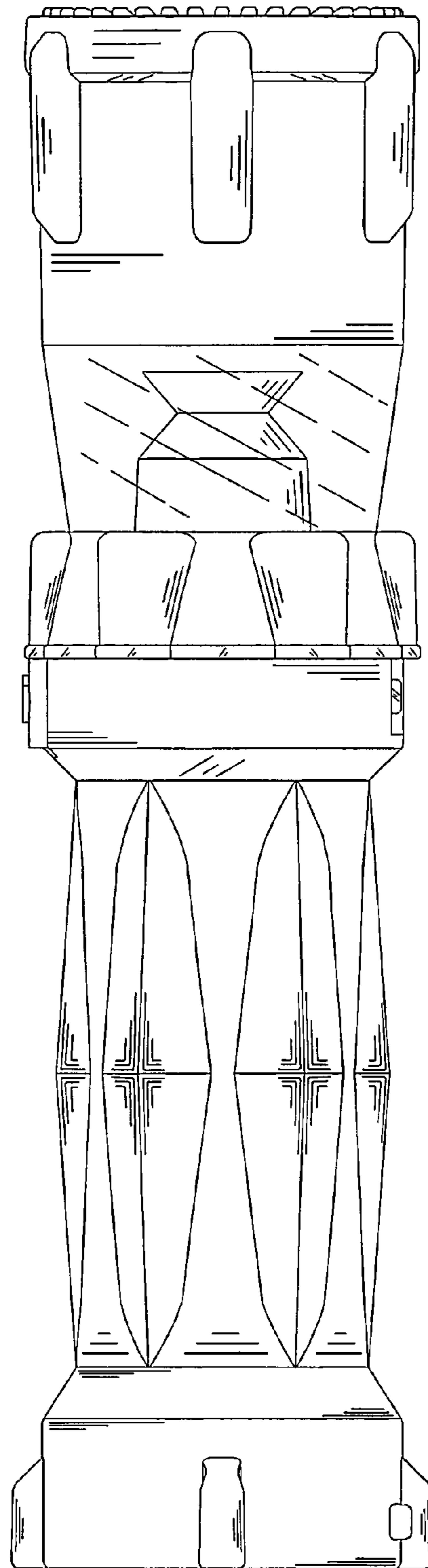


FIG. 4

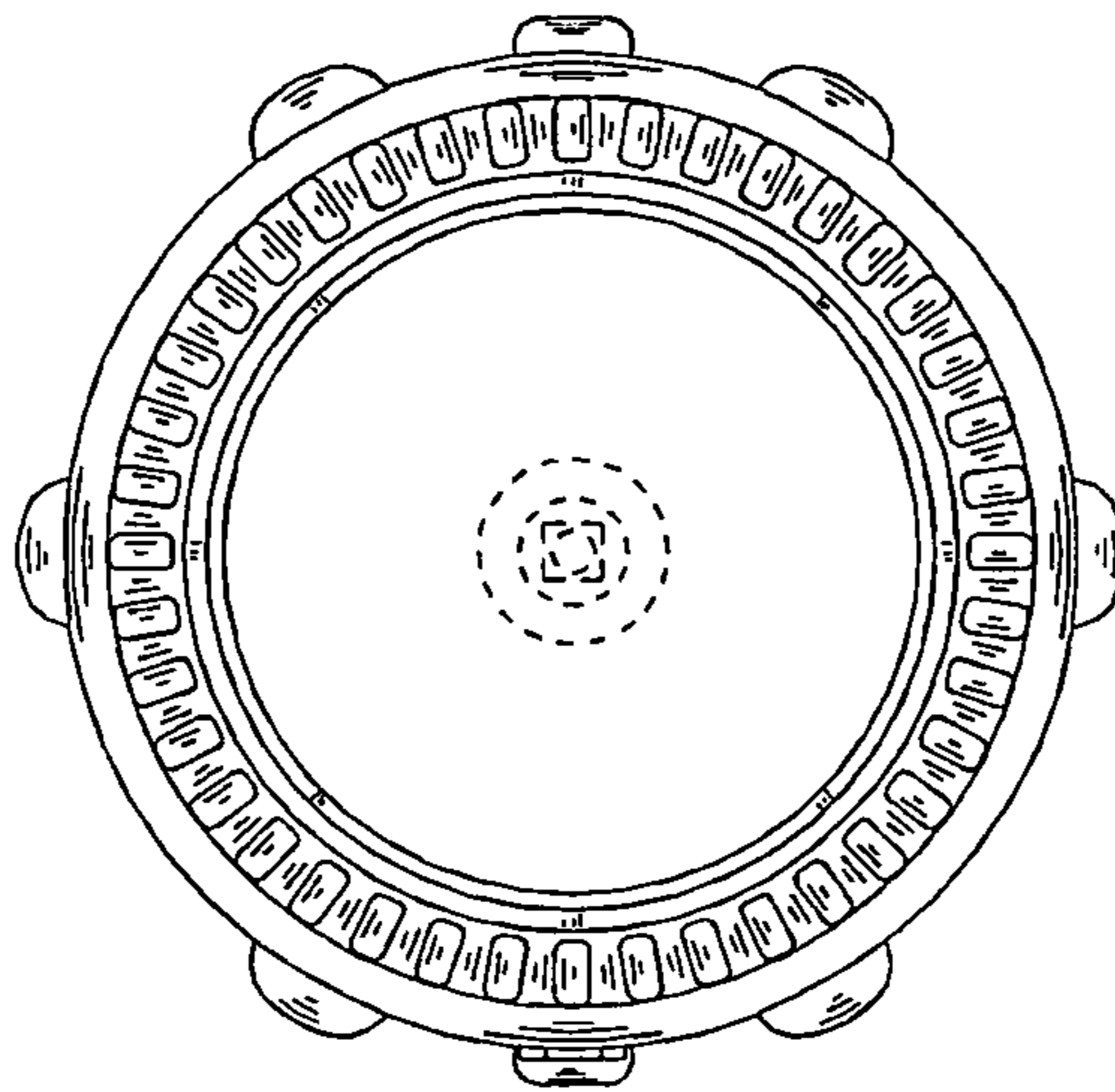


FIG. 5

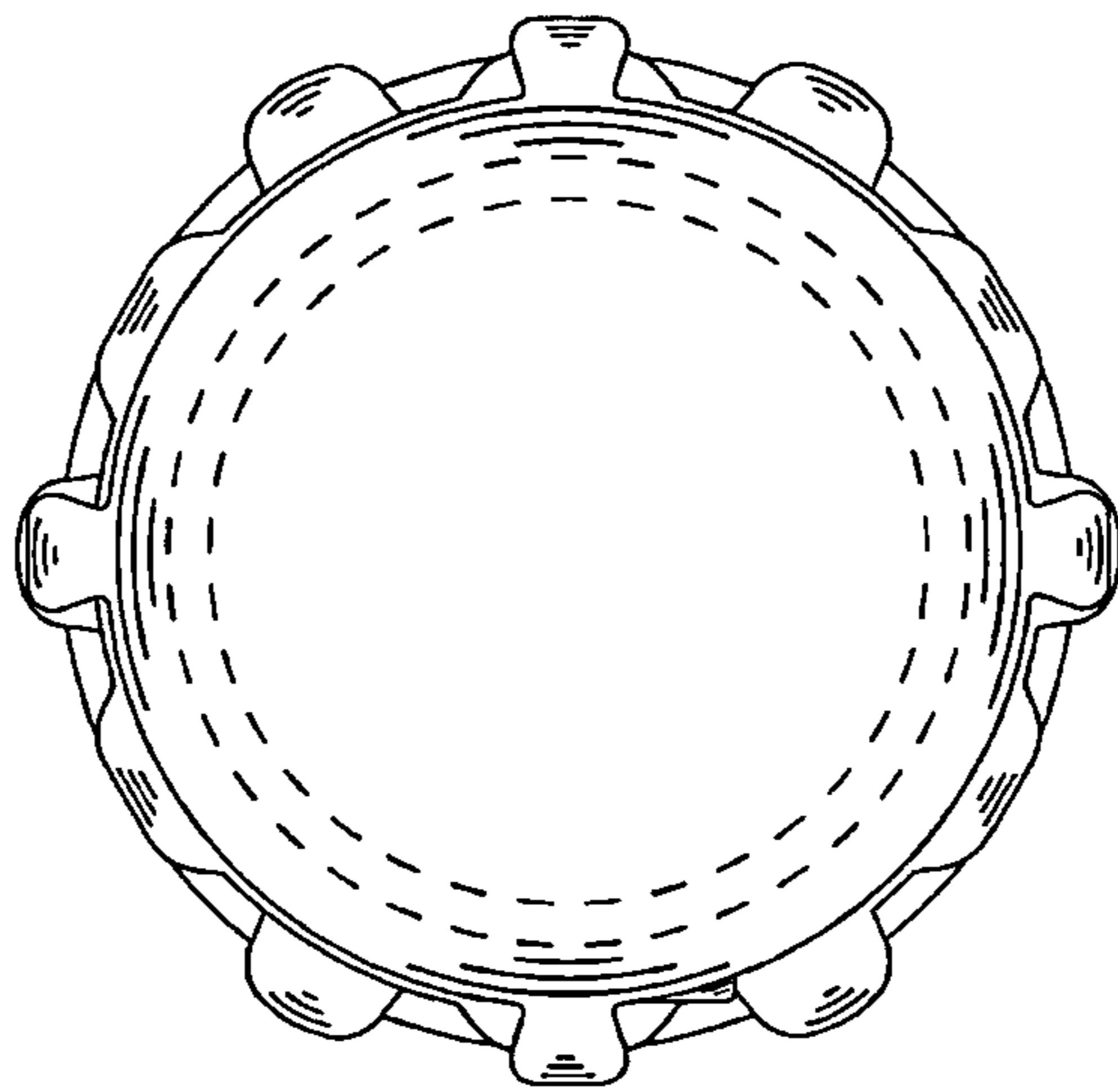


FIG. 6

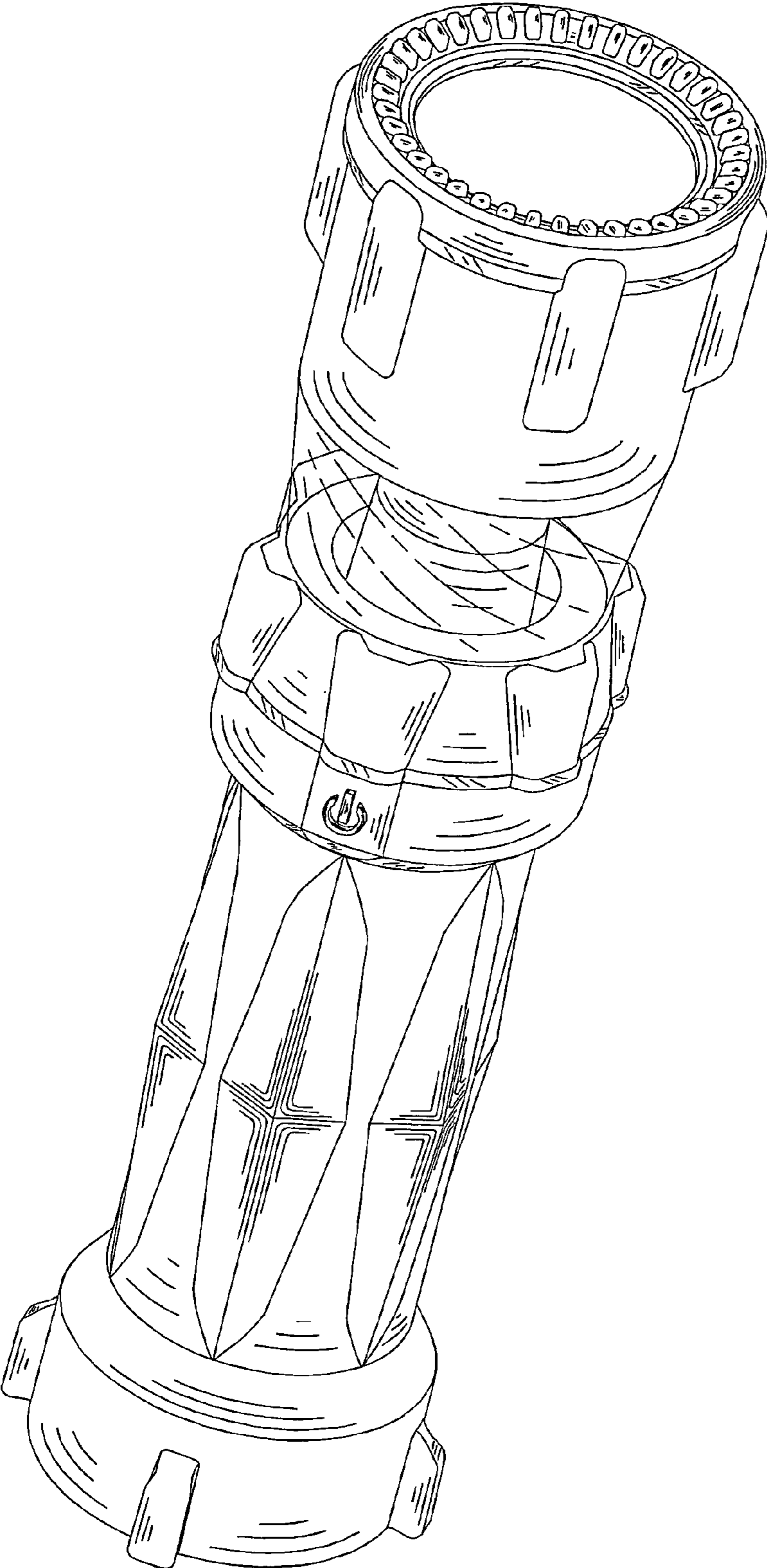


FIG. 7