



US00D726356S

(12) **United States Design Patent**
Windom

(10) **Patent No.:** **US D726,356 S**

(45) **Date of Patent:** **** Apr. 7, 2015**

(54) **HEADLAMP BATTERY PACK**

(75) Inventor: **Gregory David Windom**, Portland, OR (US)

(73) Assignee: **Coast Cutlery Co.**, Portland, OR (US)

(**) Term: **14 Years**

(21) Appl. No.: **29/420,472**

(22) Filed: **May 9, 2012**

(51) **LOC (10) Cl.** **26-02**

(52) **U.S. Cl.**
USPC **D26/39**; D26/113; D13/103

(58) **Field of Classification Search**
USPC D26/37, 38, 44, 46, 39, 113, 51;
362/157, 158, 183, 184, 194–196,
362/200–208, 253; D13/103, 119
See application file for complete search history.

(56) **References Cited**

U.S. PATENT DOCUMENTS

D375,569	S	*	11/1996	Hwang	D26/37
D390,187	S	*	2/1998	Urvoy	D13/103
D510,722	S	*	10/2005	Kosiba et al.	D13/103
D568,240	S	*	5/2008	Haydvoegel	D13/103
D580,349	S	*	11/2008	Haydvoegel	D13/103
D614,786	S	*	4/2010	Lee	D26/39
7,722,205	B2	*	5/2010	Kim	362/106
D672,893	S	*	12/2012	Inskeep	D26/39
D683,489	S	*	5/2013	Lee	D26/39
8,529,082	B1	*	9/2013	Baker et al.	362/105
D696,803	S	*	12/2013	Kingston et al.	D26/39
D699,671	S	*	2/2014	Walz et al.	D13/103
D712,348	S	*	9/2014	Zhang	D13/103

OTHER PUBLICATIONS

Coast Products Inc, Website, HL3 LED Headlamp, <http://www.coastportland.com/hl3-led-headlamp.htm>.

Coast Products Inc, Website, HL4 144 Lumen Dual Color LED Headlamp, <http://www.coastportland.com/hl4-dual-color-led-headlamp.htm>.

Coast Products Inc, Website, HL5 LED Headlamp, <http://www.coastportland.com/hl5-led-headlamp.htm>.

Coast Products Inc, Website, HL6 LED Headlamp, <http://www.coastportland.com/hl6-led-headlamp.htm>.

Coast Products Inc, Website, HL7 Focusing LED Headlamp, <http://www.coastportland.com/hl7-led-headlamp.htm>.

Coast Products Inc, Website, HL7R Rechargeable Focusing 150 Lumen LED Headlamp, <http://www.coastportland.com/hl7r-led-headlamp.htm>.

* cited by examiner

Primary Examiner — Ian Simmons

Assistant Examiner — Carissa C Fitts

(74) *Attorney, Agent, or Firm* — Schwabe Williamson & Wyatt

(57) **CLAIM**

The ornamental design for a headlamp battery pack, as shown and described.

DESCRIPTION

FIG. 1 is a perspective view of a headlamp battery pack, showing my new design

FIG. 2 is a perspective view of the headlamp battery pack illustrated in FIG. 1;

FIG. 3 is a front elevational view of the headlamp battery pack illustrated in FIG. 1;

FIG. 4 is a rear elevational view of the headlamp battery pack illustrated in FIG. 1;

FIG. 5 is a right side elevational view of the headlamp battery pack illustrated in FIG. 1;

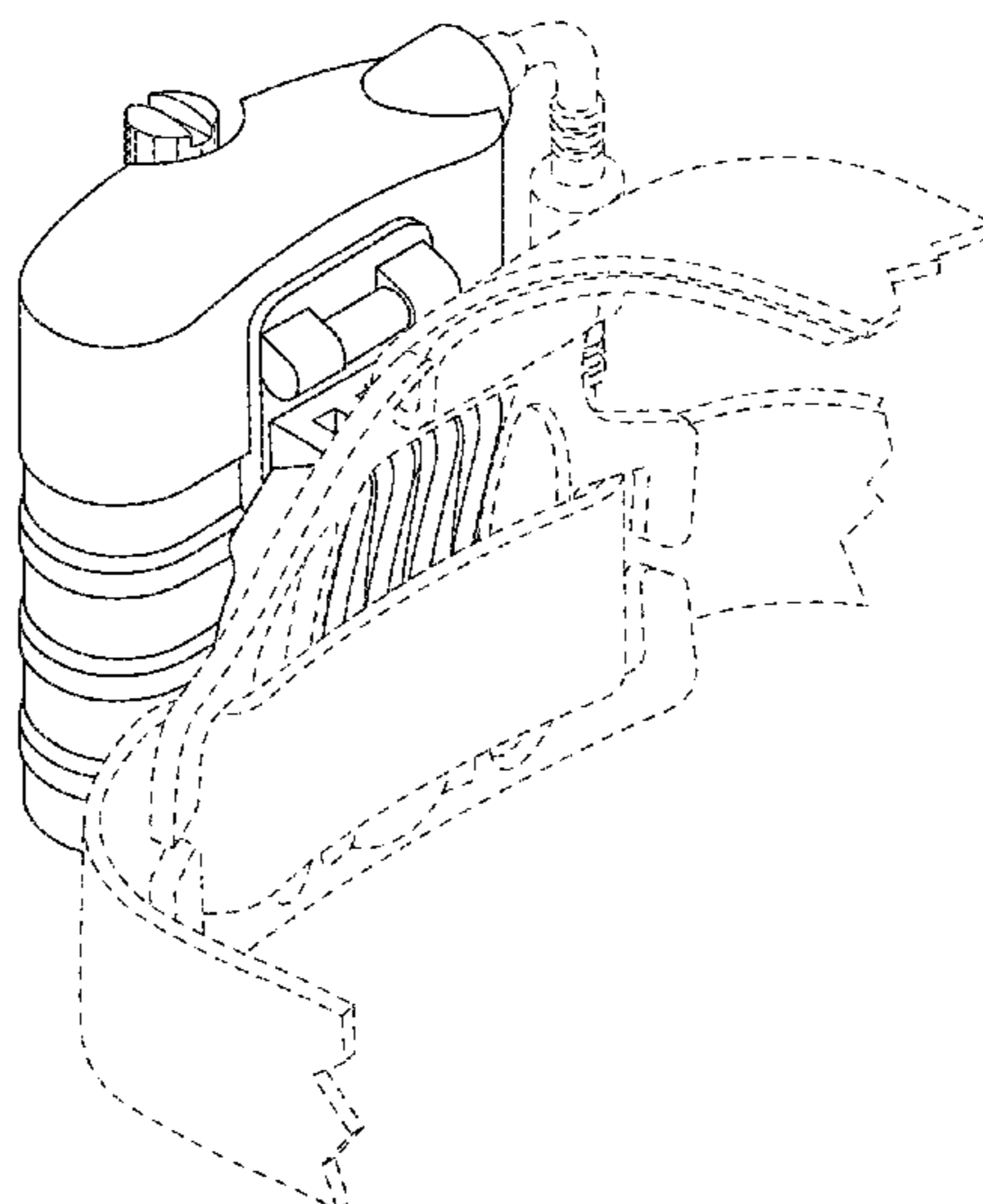
FIG. 6 is a left side elevational view of the headlamp battery pack illustrated in FIG. 1;

FIG. 7 is a top view of the headlamp battery pack illustrated in FIG. 1; and,

FIG. 8 is a bottom view of the headlamp battery pack illustrated in FIG. 1.

The broken line showing is for environmental purposes only and forms no part of the claimed design.

1 Claim, 5 Drawing Sheets



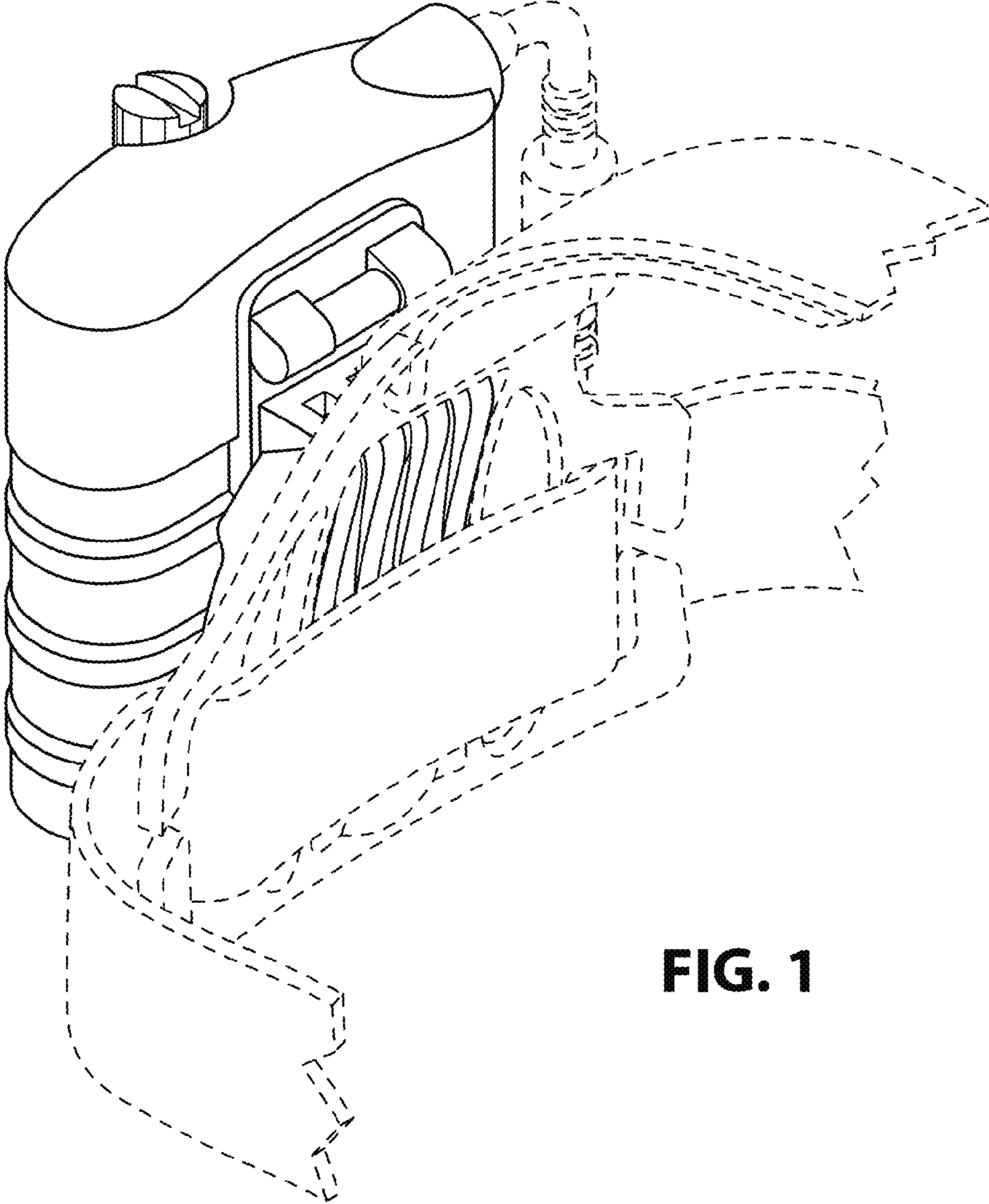


FIG. 1

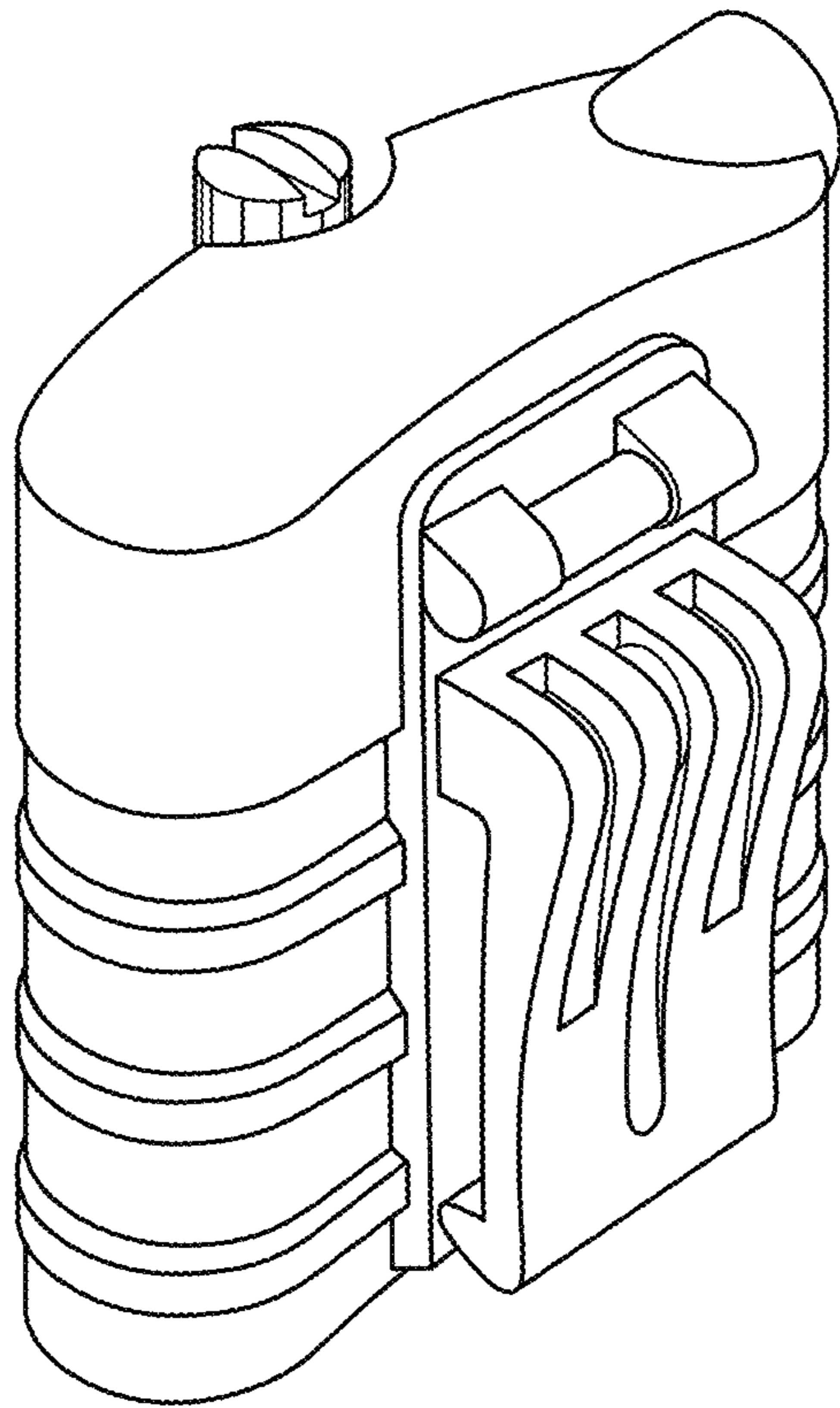


FIG. 2

FIG. 3

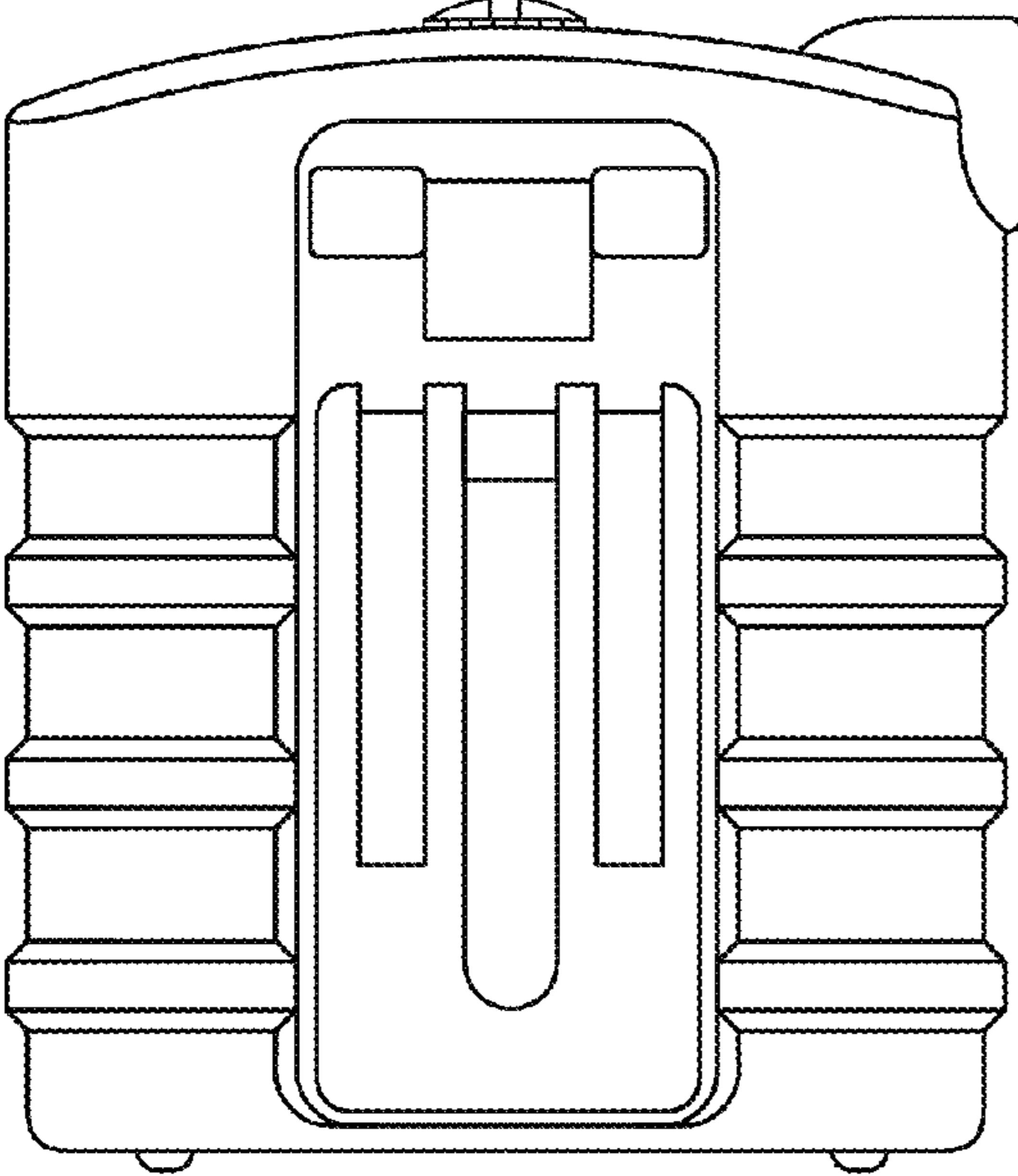
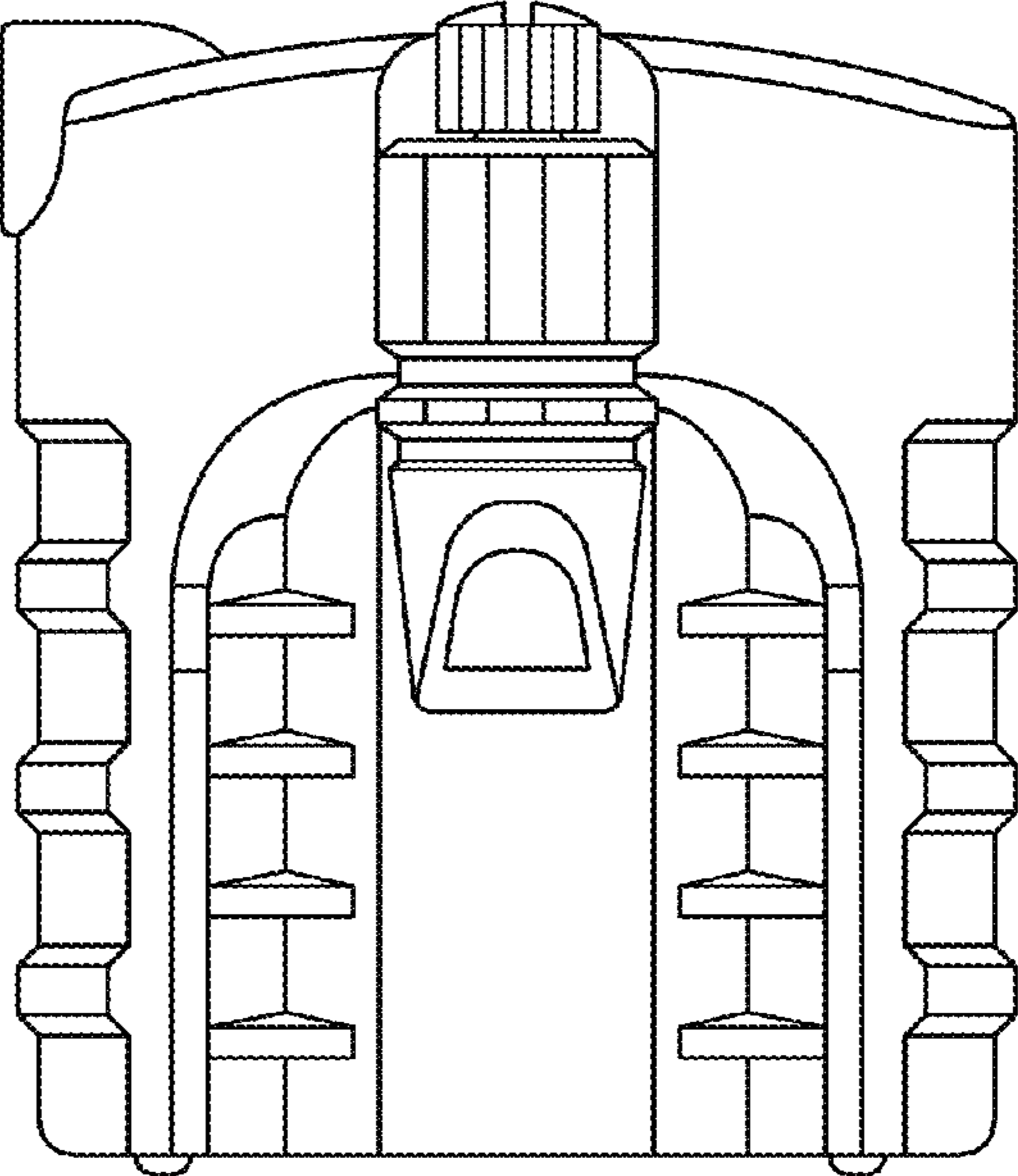


FIG. 4

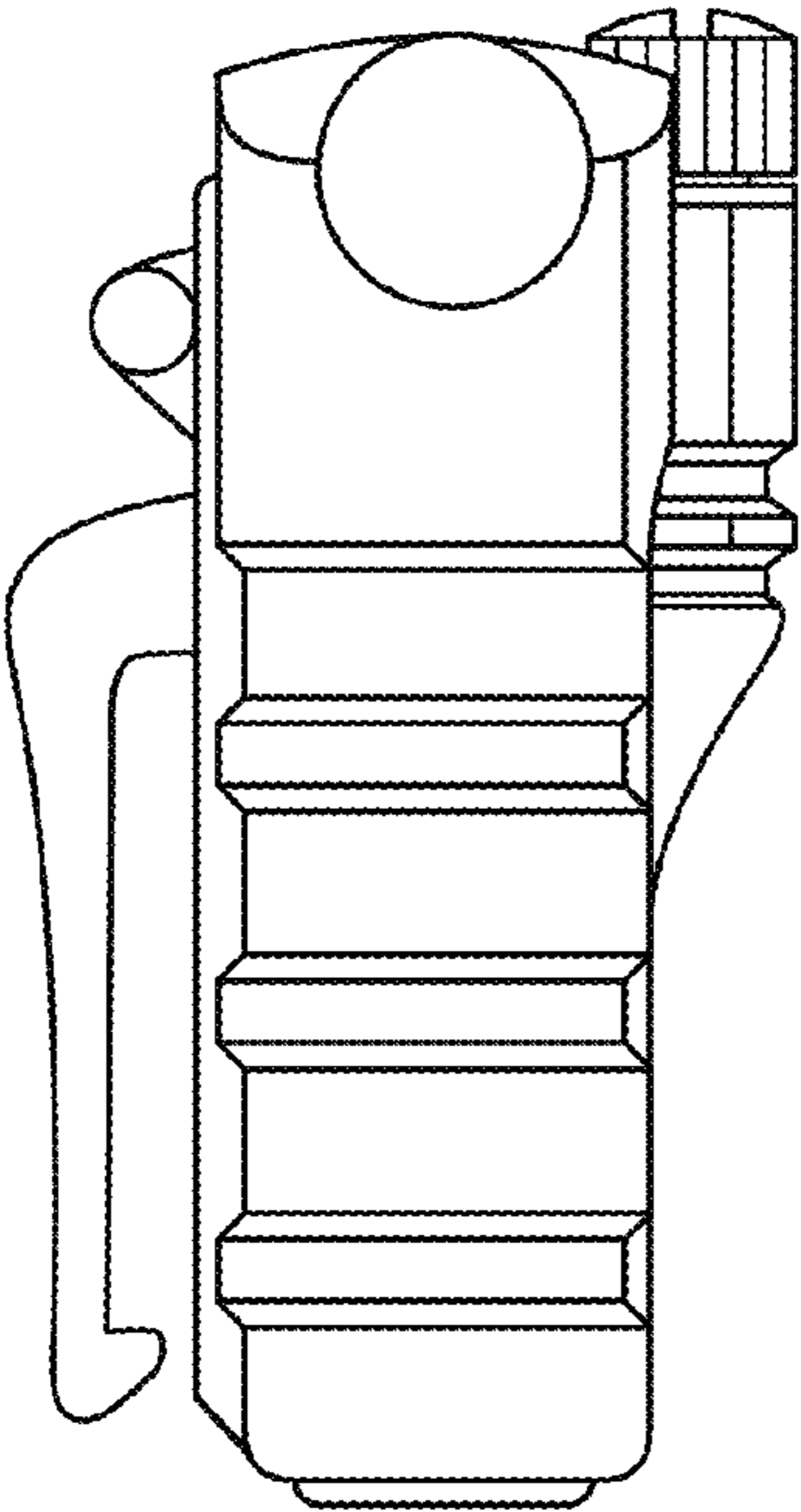


FIG. 5

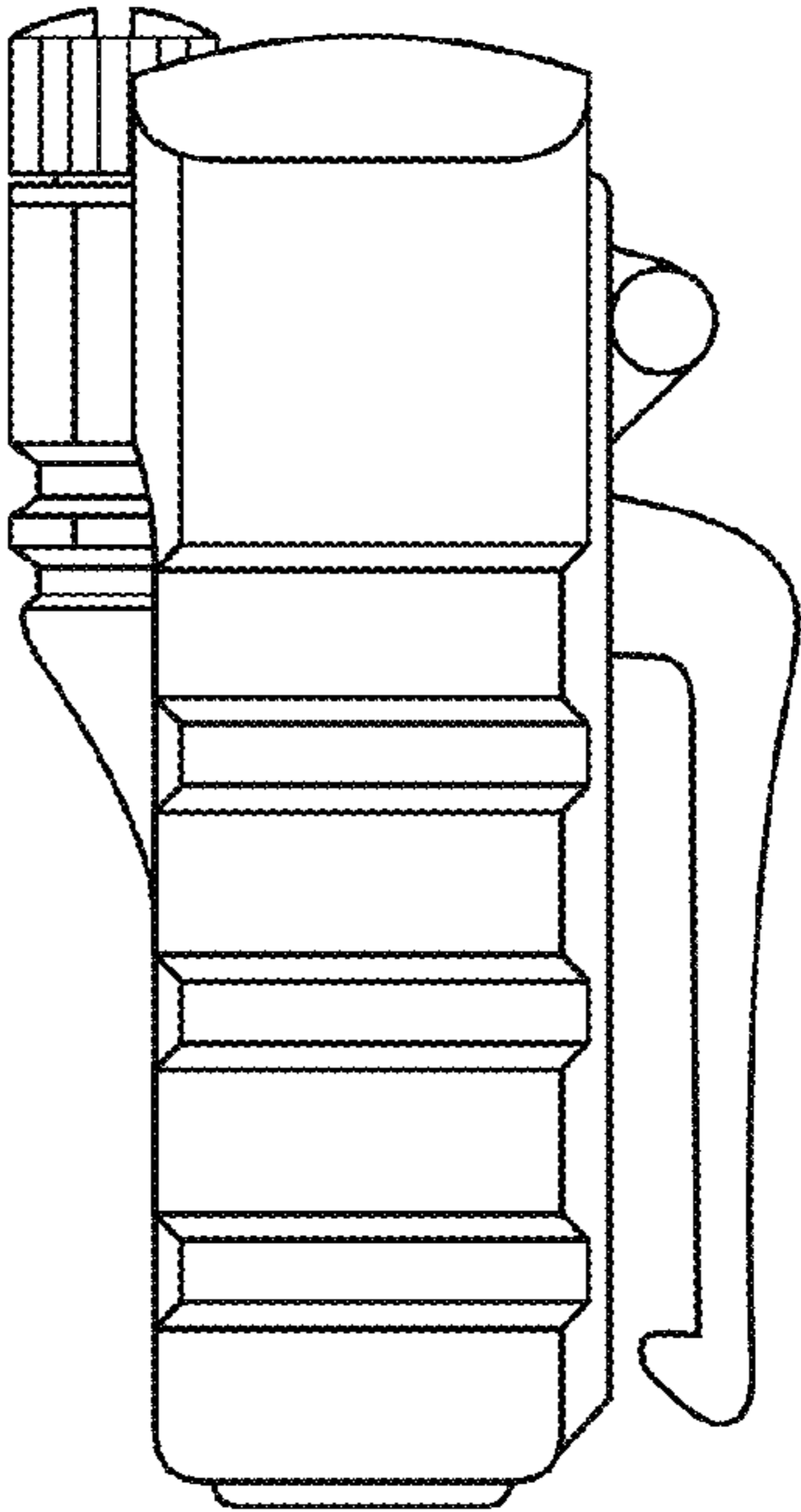


FIG. 6

FIG. 7

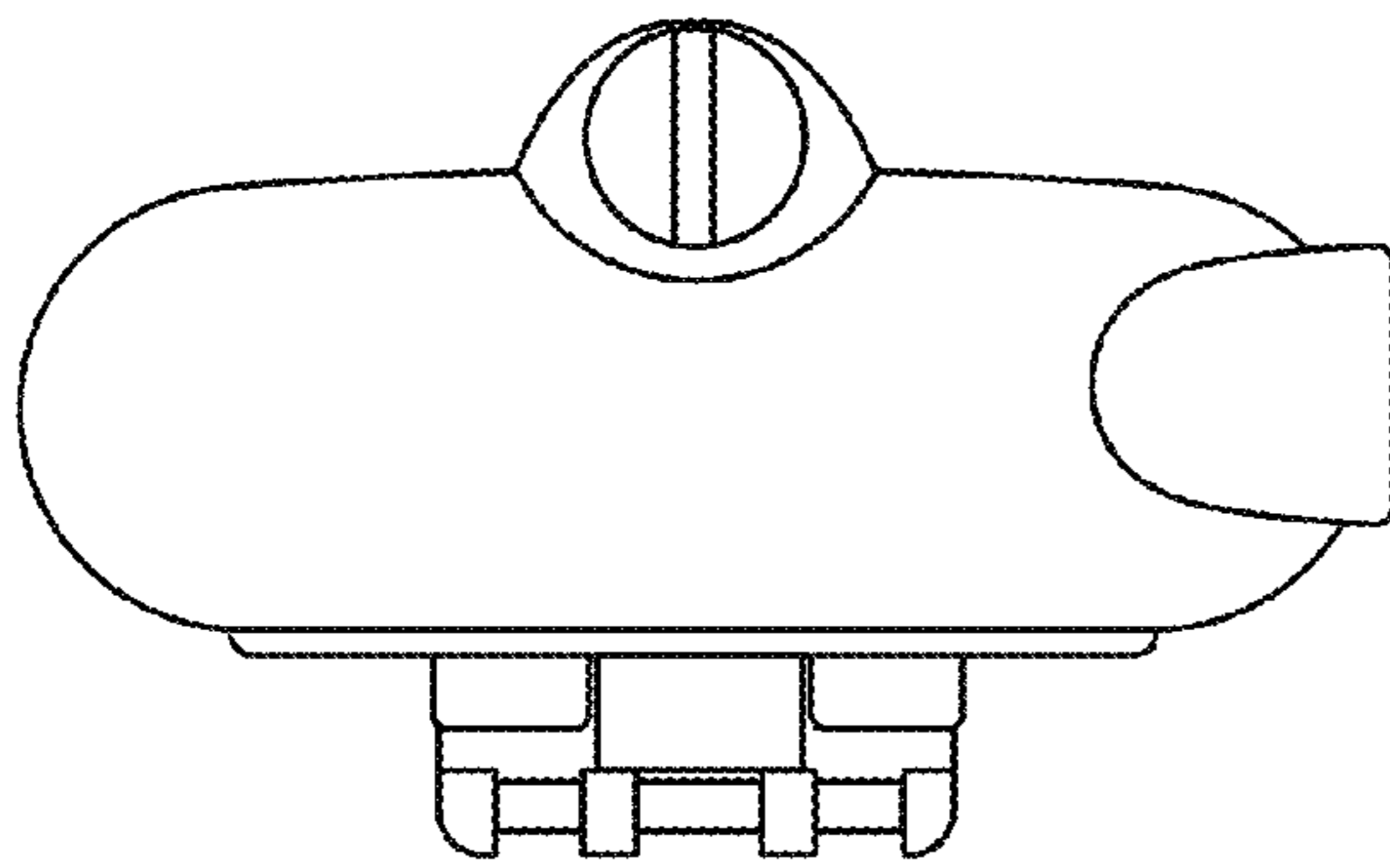


FIG. 8

