



US00D726354S

(12) **United States Design Patent**  
**Davies**

(10) **Patent No.:** **US D726,354 S**

(45) **Date of Patent:** **\*\* Apr. 7, 2015**

(54) **INSPECTION LAMP**

(75) Inventor: **Paul Davies**, Belgrave (AU)

(73) Assignee: **Brown & Watson International Pty Ltd**, Victoria (AU)

(\*\*) Term: **14 Years**

(21) Appl. No.: **29/422,727**

(22) Filed: **May 23, 2012**

(51) **LOC (10) Cl.** ..... **26-02**

(52) **U.S. Cl.**  
USPC ..... **D26/37**

(58) **Field of Classification Search**  
USPC ..... D26/37, 38, 40, 41, 42; 362/157, 158,  
362/171-174, 183, 184, 194-196, 200-208,  
362/253

See application file for complete search history.

(56) **References Cited**

**U.S. PATENT DOCUMENTS**

D434,863 S *	12/2000	Boessel	.....	D26/26
D438,656 S *	3/2001	Lupica	.....	D26/37
D439,354 S *	3/2001	Yuen	.....	D26/42
D439,689 S *	3/2001	Yuen	.....	D26/42
D535,419 S *	1/2007	Shiu	.....	D26/40

D541,961 S *	5/2007	Tarter et al.	.....	D26/40
D604,435 S *	11/2009	Kingston et al.	.....	D26/37
D621,536 S *	8/2010	Lee	.....	D26/41
D643,560 S *	8/2011	Tompkin	.....	D26/40
D677,412 S *	3/2013	Smith	.....	D26/37

\* cited by examiner

*Primary Examiner* — Ian Simmons

*Assistant Examiner* — Carissa C Fitts

(74) *Attorney, Agent, or Firm* — The Farrell Law Firm, P.C.

(57) **CLAIM**

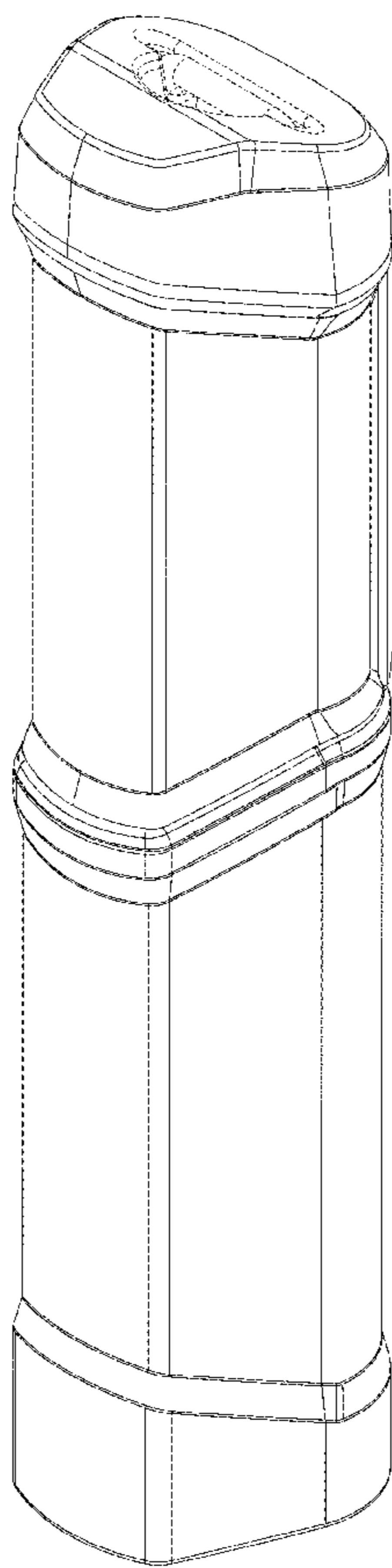
The ornamental design for an inspection lamp, as shown and described.

**DESCRIPTION**

FIG. 1 is a rear perspective view of an inspection lamp, showing my new design;  
FIG. 2 is a top view thereof;  
FIG. 3 is a bottom view thereof;  
FIG. 4 is a rear view thereof;  
FIG. 5 is a left side view thereof, the right side view being identical; and,  
FIG. 6 is a front view thereof.

The broken lines are shown for environmental purposes only and form no part of the claimed design.

**1 Claim, 5 Drawing Sheets**



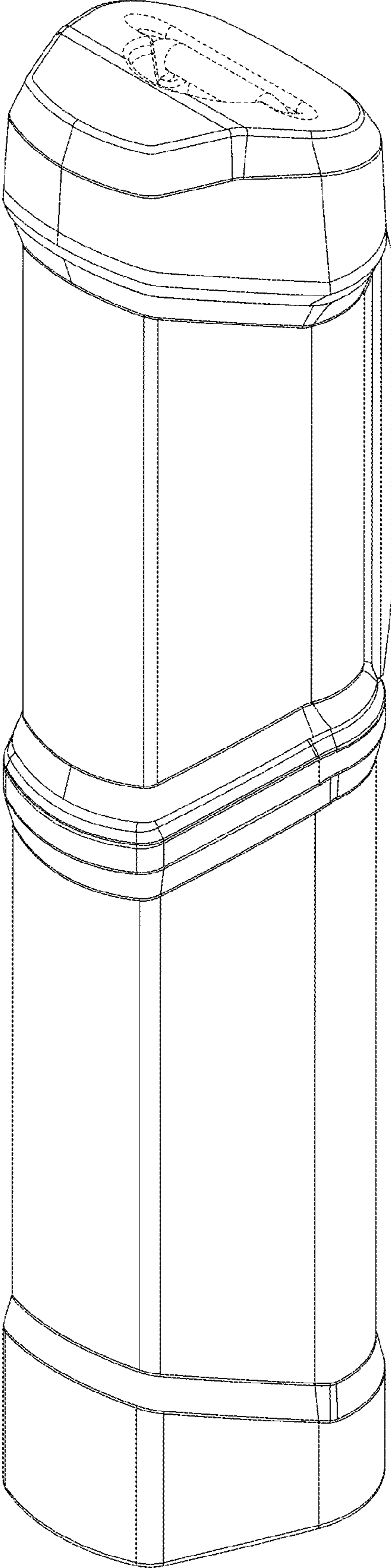


FIG 1

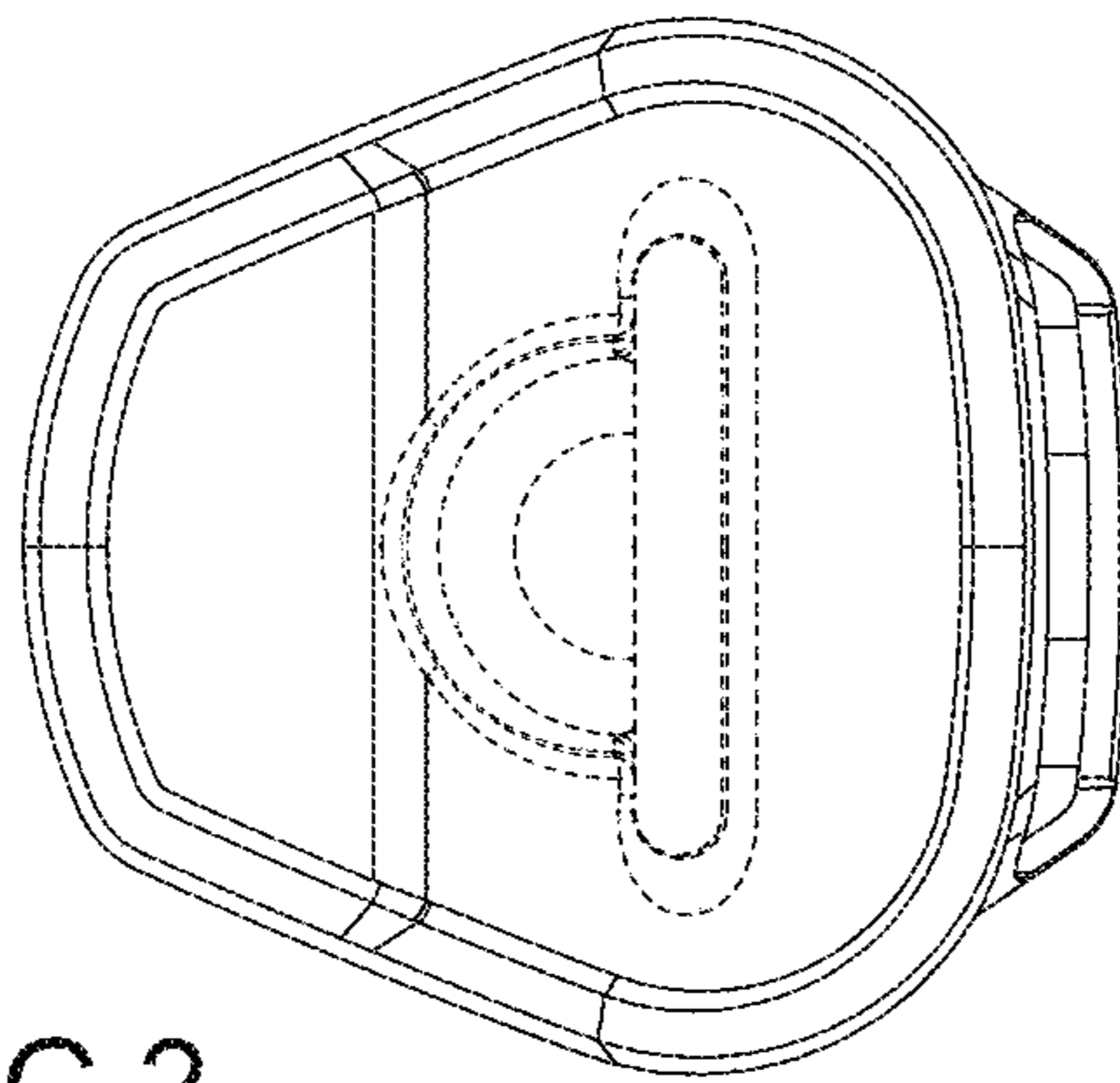


FIG 2

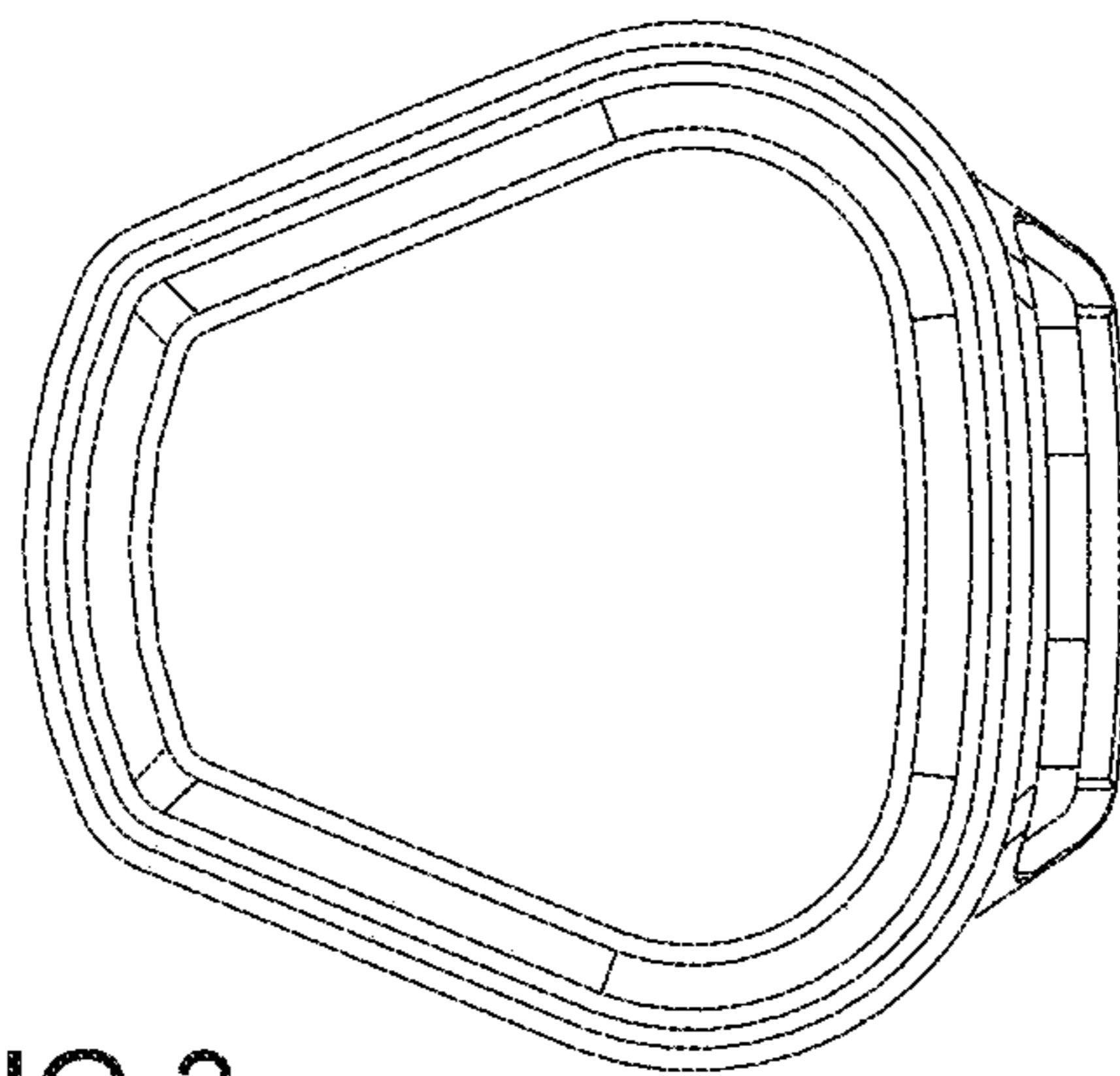


FIG 3

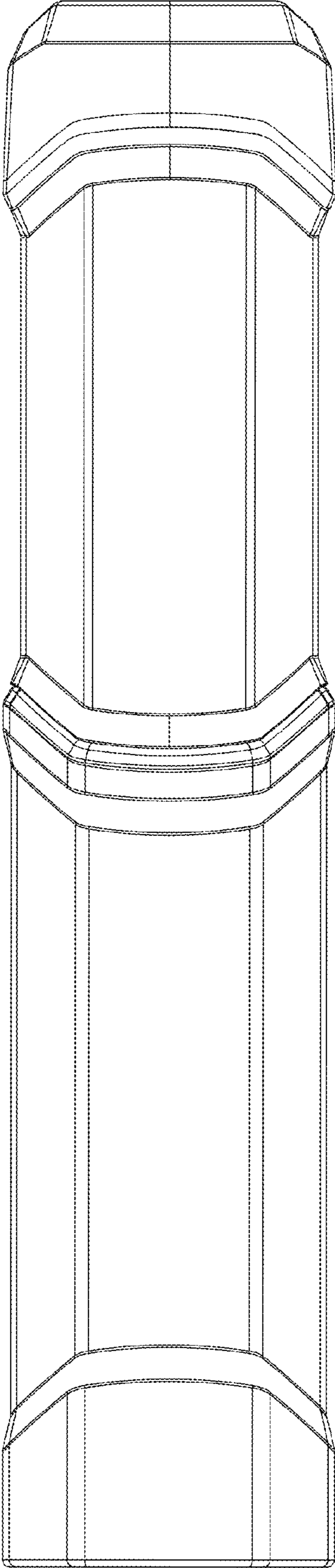


FIG 4

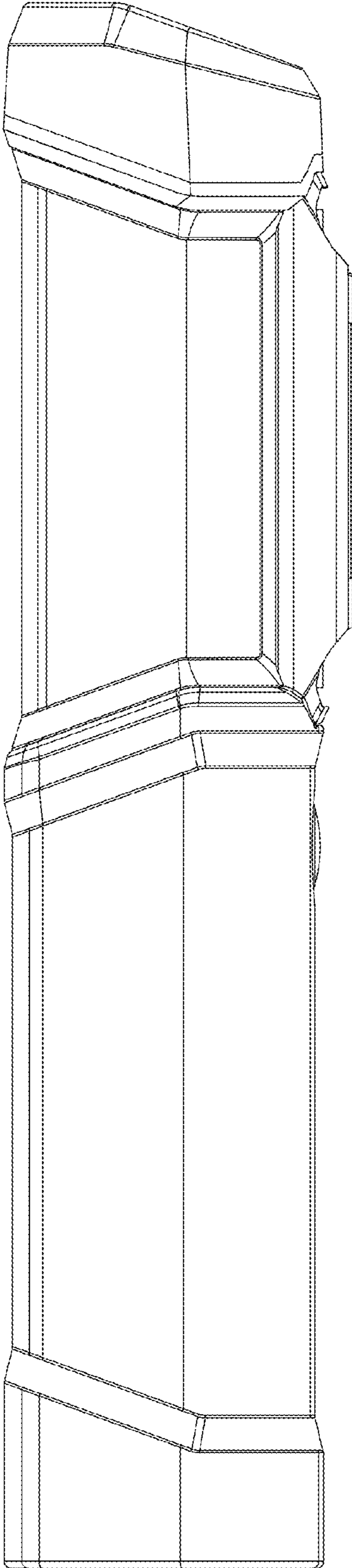


FIG 5

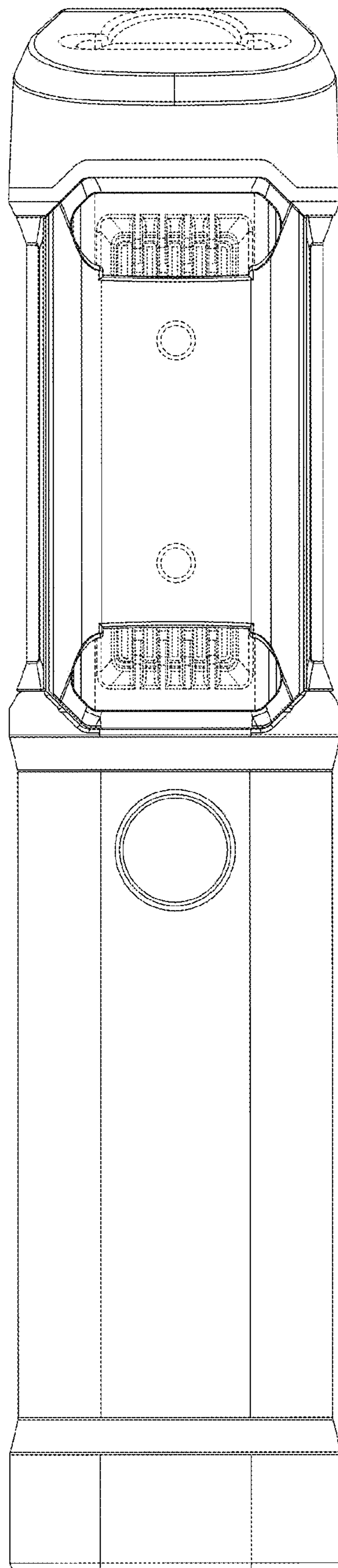


FIG 6