



US00D726349S

(12) **United States Design Patent**  
**Maxik et al.**

(10) **Patent No.:** **US D726,349 S**  
(45) **Date of Patent:** **\*\* Apr. 7, 2015**

(54) **LUMINAIRE**

(75) Inventors: **Fredric S. Maxik**, Indialantic, FL (US);  
**David Henderson**, Indialantic, FL (US);  
**Mark Penley Boomgaarden**, Satellite  
Beach, FL (US); **Addy S. Widjaja**, Palm  
Bay, FL (US); **Emilio Flores**, Indian  
Harbor, FL (US); **Shane Sullivan**,  
Indialantic, FL (US); **Wei Sun**,  
Indialantic, FL (US)

(73) Assignee: **Lighting Science Group Corporation**,  
Satellite Beach, FL (US)

(\*\*) Term: **14 Years**

(21) Appl. No.: **29/423,346**

(22) Filed: **May 31, 2012**

**Related U.S. Application Data**

(62) Division of application No. 29/376,702, filed on Oct.  
11, 2010, now Pat. No. Des. 661,413.

(51) **LOC (10) Cl.** ..... **26-06**

(52) **U.S. Cl.**  
USPC ..... **D26/2**

(58) **Field of Classification Search**  
USPC ..... D26/1-4; 313/313, 315, 316, 317, 318,  
313/493; 315/52, 53, 56, 57, 58  
See application file for complete search history.

(56) **References Cited**

**U.S. PATENT DOCUMENTS**

4,375,607 A 3/1983 Morton et al.  
4,392,076 A 7/1983 Ishler et al.

(Continued)

**FOREIGN PATENT DOCUMENTS**

WO 2006118457 11/2006  
WO 2008113837 A2 9/2008

**OTHER PUBLICATIONS**

SP-E27 LB60 Nicha / Cree LED Lamp, posted Dec. 18, 2008, [http://www.diytrade.com/china/4/products/4950147/SP-E27\\_LB60\\_Nicha\\_Cree\\_LED\\_Lamp.html](http://www.diytrade.com/china/4/products/4950147/SP-E27_LB60_Nicha_Cree_LED_Lamp.html), accessed Jun. 30, 2009.

(Continued)

*Primary Examiner* — Marcus Jackson  
(74) *Attorney, Agent, or Firm* — Cantor Colburn LLP

(57) **CLAIM**

We claim, the ornamental design for a luminaire, as shown and described.

**DESCRIPTION**

FIG. 1 is a side plan view of a luminaire in accordance with an embodiment of the invention, the luminaire being symmetric about a center axis;

FIG. 2 is a top plan view of the luminaire of FIG. 1;

FIG. 3 is a bottom plan view of the luminaire of FIG. 1;

FIG. 4 is a first perspective view of the luminaire of FIG. 1; and,

FIG. 5 is a second perspective view of the luminaire of FIG. 1.

The degree of transparency or opaqueness of the lens of the luminaire forms no part of the claimed design. The lens of the claimed luminaire may have facets, lenslets or other treatments.

The dash-dot-dot lines shown between the heat sink portion and base portion in FIGS. 1, and 3-5, indicates that the heat sink portion may be of any length.

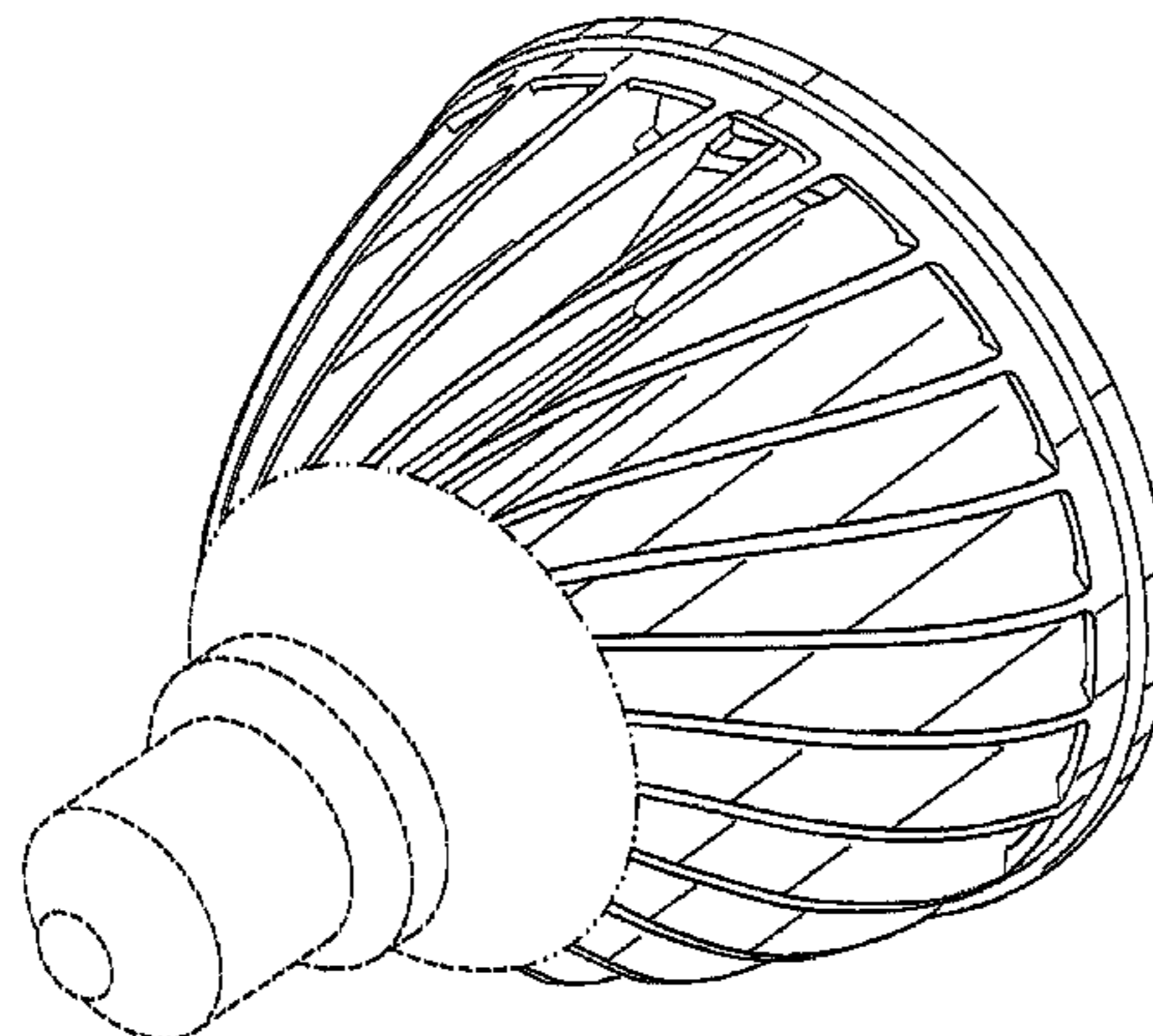
The phantom lines shown in FIGS. 1-5 are environmental and not part of the claimed design.

The color and shading of the luminaire forms no part of the claimed design, the luminaire according to the claimed design may be any color or combination of colors.

The surface treatment of the luminaire forms no part of the claimed design, the luminaire of the claimed design may have any surface treatment.

References to “side”, “top” and “bottom” in the figure descriptions are not meant to require certain in-use orientation; a luminaire according to the claimed design may be used in any orientation.

**1 Claim, 5 Drawing Sheets**



(56)

References Cited

U.S. PATENT DOCUMENTS

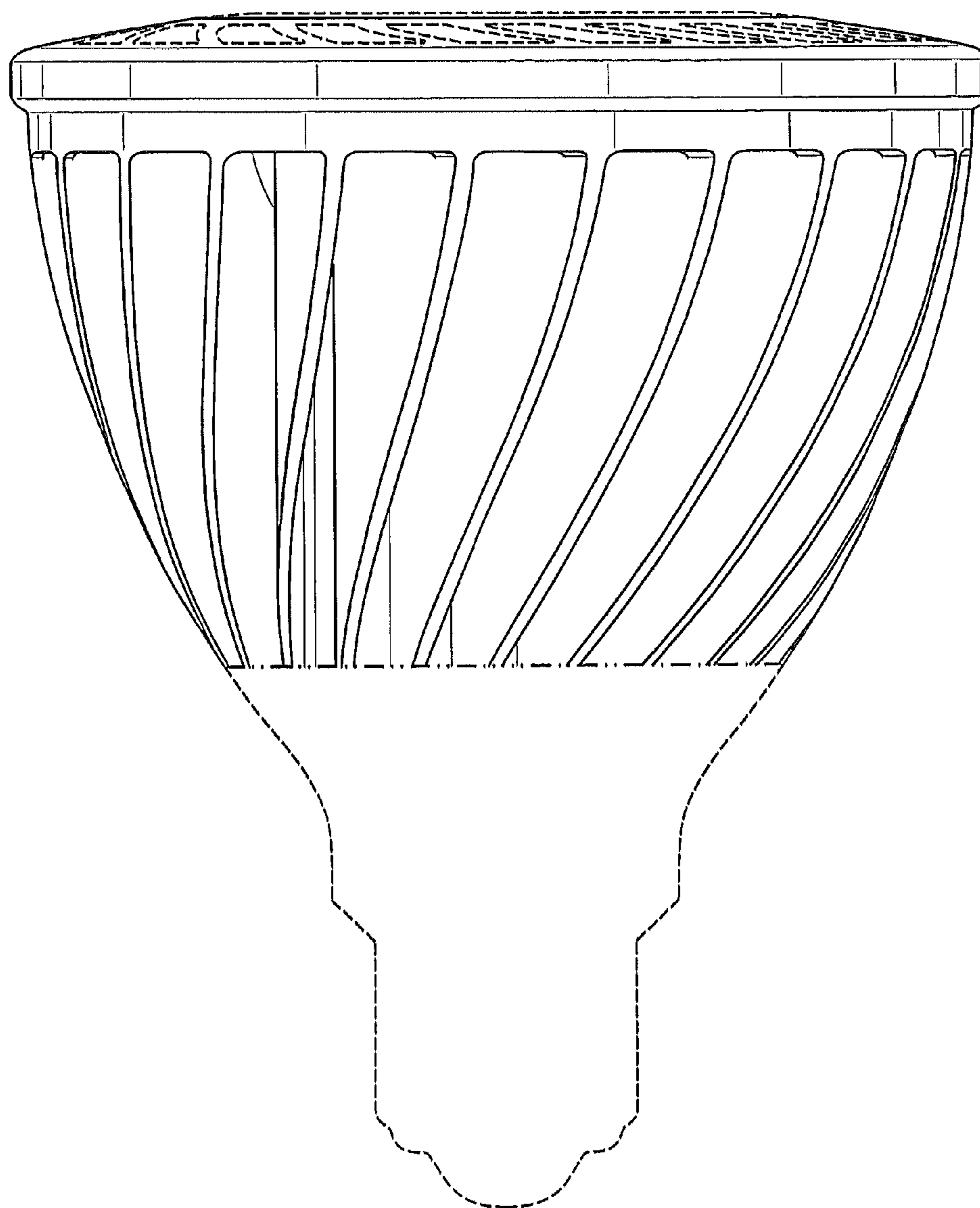
D271,424 S 11/1983 Young et al.  
 D284,792 S 7/1986 Thiry et al.  
 D307,805 S \* 5/1990 Noe ..... D26/2  
 D321,260 S \* 10/1991 Bowman ..... D26/2  
 D321,762 S 11/1991 Mujahid et al.  
 D355,495 S 2/1995 Matsumura et al.  
 5,458,505 A 10/1995 Prager  
 D391,006 S 2/1998 Yang  
 5,791,769 A 8/1998 Yang  
 D470,610 S 2/2003 Bobel  
 6,515,433 B1 2/2003 Ge et al.  
 D480,486 S 10/2003 Kakuno et al.  
 6,655,823 B2 12/2003 Chang  
 6,786,625 B2 9/2004 Wesson  
 D497,439 S 10/2004 Shaw et al.  
 6,848,812 B1 2/2005 Hsieh  
 D508,575 S 8/2005 Buschmann et al.  
 D516,229 S 2/2006 Tang  
 D527,119 S 8/2006 Maxik et al.  
 D528,227 S 9/2006 Chou et al.  
 D528,673 S 9/2006 Maxik et al.  
 D531,741 S 11/2006 Takahashi  
 D534,665 S 1/2007 Egawa et al.  
 D538,950 S 3/2007 Maxik  
 D538,951 S 3/2007 Maxik et al.  
 D538,952 S 3/2007 Maxik et al.  
 D541,957 S 5/2007 Wang  
 D542,943 S 5/2007 Wang  
 D545,457 S 6/2007 Chen  
 7,226,189 B2 6/2007 Lee et al.  
 D546,980 S 7/2007 Lo  
 D549,854 S 8/2007 Takahashi  
 D560,286 S 1/2008 Maxik et al.  
 D563,572 S 3/2008 Lukacs  
 D566,300 S 4/2008 Lo  
 7,367,688 B1 5/2008 Bucher et al.  
 D570,504 S 6/2008 Maxik et al.  
 D570,505 S 6/2008 Maxik et al.  
 D572,385 S 7/2008 Mazzochette et al.  
 7,434,964 B1 10/2008 Zheng et al.  
 D581,554 S 11/2008 To et al.  
 D581,583 S 11/2008 Peng  
 7,448,772 B2 11/2008 Hampton  
 D582,578 S 12/2008 Tsai et al.  
 D584,428 S 1/2009 Li et al.  
 D584,837 S 1/2009 Mazzochette et al.  
 D586,497 S 2/2009 Wu et al.  
 7,513,653 B1 4/2009 Liu et al.  
 D592,766 S 5/2009 Zhu et al.  
 D593,222 S 5/2009 To et al.  
 D594,143 S 6/2009 Montagnat et al.  
 D594,995 S 6/2009 Komar  
 D595,893 S 7/2009 Maxik et al.  
 D597,225 S 7/2009 Yoo  
 D597,704 S 8/2009 Peng  
 D599,041 S 8/2009 Yoo  
 D600,850 S 9/2009 Maxik et al.  
 D601,275 S 9/2009 Ho et al.  
 D601,276 S 9/2009 Grajcar  
 D601,277 S 9/2009 Grajcar

D601,278 S 9/2009 Takahashi  
 D601,279 S 9/2009 Ou et al.  
 D607,586 S 1/2010 Ko  
 D608,478 S 1/2010 Maxik et al.  
 D610,271 S 2/2010 Bi  
 D610,722 S 2/2010 Bi  
 D612,956 S 3/2010 Moon  
 D613,433 S 4/2010 Moon  
 7,717,590 B1 5/2010 Li  
 D617,915 S 6/2010 Wada et al.  
 D618,369 S 6/2010 Lee et al.  
 D620,153 S 7/2010 Wang et al.  
 D621,973 S 8/2010 Grajcar  
 D621,974 S 8/2010 Grajcar  
 D623,777 S 9/2010 Moon et al.  
 D623,778 S 9/2010 Moon et al.  
 D623,779 S 9/2010 Wang et al.  
 D624,214 S 9/2010 Thomas et al.  
 D624,215 S 9/2010 Moon et al.  
 D624,669 S 9/2010 Tsai  
 D625,437 S 10/2010 Zhang et al.  
 D626,260 S 10/2010 Wei  
 D626,667 S 11/2010 Jonsson et al.  
 D627,087 S 11/2010 Jonsson et al.  
 D628,322 S 11/2010 Sakai et al.  
 D628,720 S 12/2010 Wang  
 D629,129 S 12/2010 Lin et al.  
 D629,930 S 12/2010 Cotter et al.  
 D630,347 S 1/2011 Pei et al.  
 D634,031 S 3/2011 de Visser et al.  
 D634,037 S 3/2011 Jeong et al.  
 D635,105 S 3/2011 Maxik et al.  
 D636,902 S 4/2011 Pei et al.  
 D636,904 S 4/2011 Leahy et al.  
 D640,820 S 6/2011 Hopper  
 D645,988 S 9/2011 Taylor  
 D646,409 S 10/2011 MacDonald et al.  
 D648,041 S 11/2011 Mahler et al.  
 D650,495 S 12/2011 Foo  
 D652,564 S 1/2012 Maxik  
 D654,192 S 2/2012 Maxik et al.  
 D656,631 S 3/2012 Leahy et al.  
 D658,791 S 5/2012 Maxik et al.  
 D659,266 S 5/2012 Maxik et al.  
 D662,627 S 6/2012 Pan  
 D663,051 S 7/2012 Xu et al.  
 D663,057 S 7/2012 Pan  
 D663,446 S 7/2012 Maxik et al.  
 D665,107 S 8/2012 Tu  
 2006/0215408 A1 9/2006 Lee  
 2007/0285926 A1 12/2007 Maxik  
 2008/0253125 A1 10/2008 Kang et al.  
 2009/0141500 A1 6/2009 Peng  
 2009/0296402 A1 12/2009 Chang et al.  
 2010/0027270 A1 2/2010 Huang et al.  
 2010/0091487 A1 4/2010 Shin

OTHER PUBLICATIONS

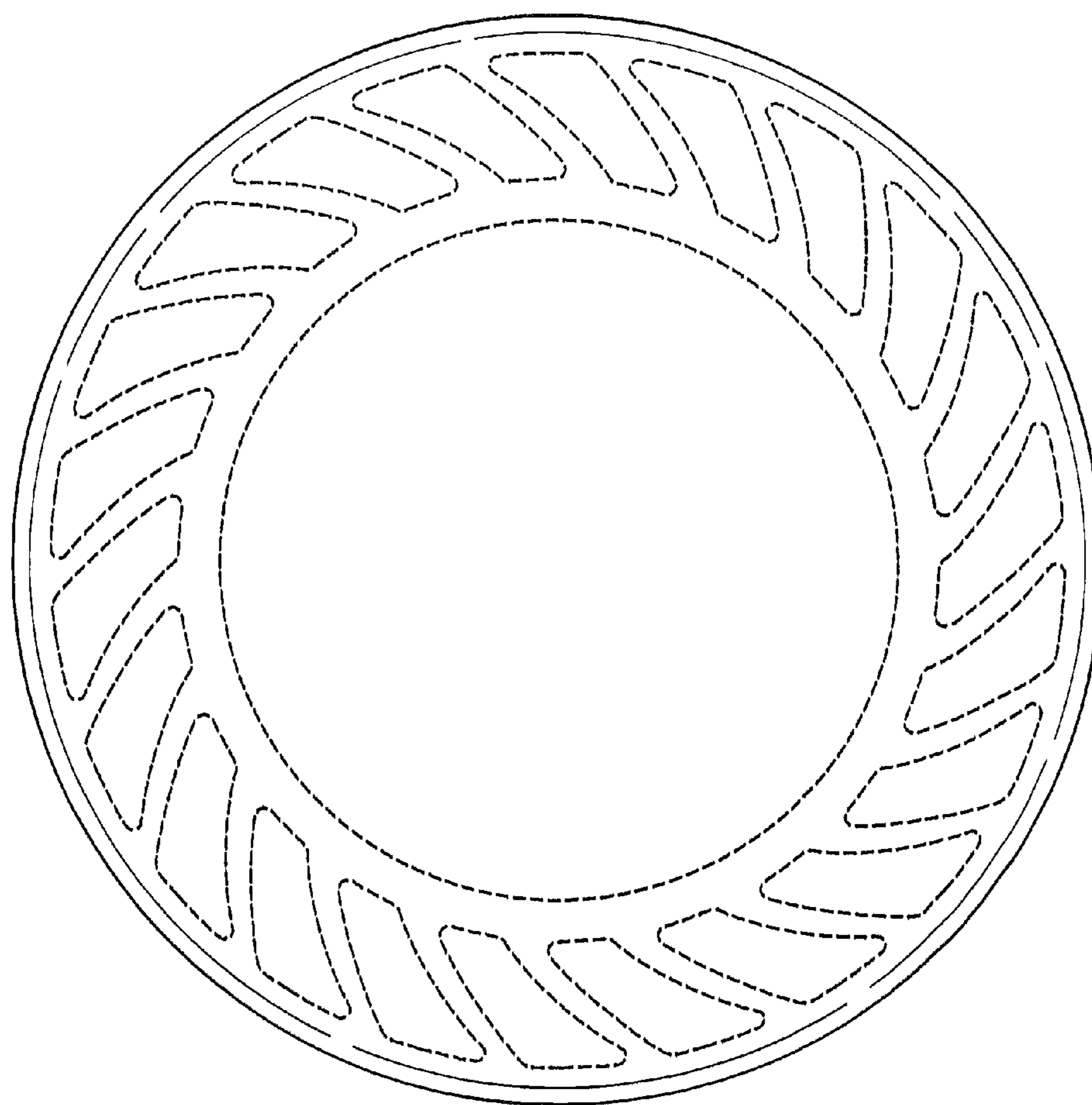
F.S. Maxik, "GU10 Lamp" Office Action mailed Mar. 16, 2011; U.S. Appl. No. 29/340,670, filed Jul. 23, 2009.

\* cited by examiner

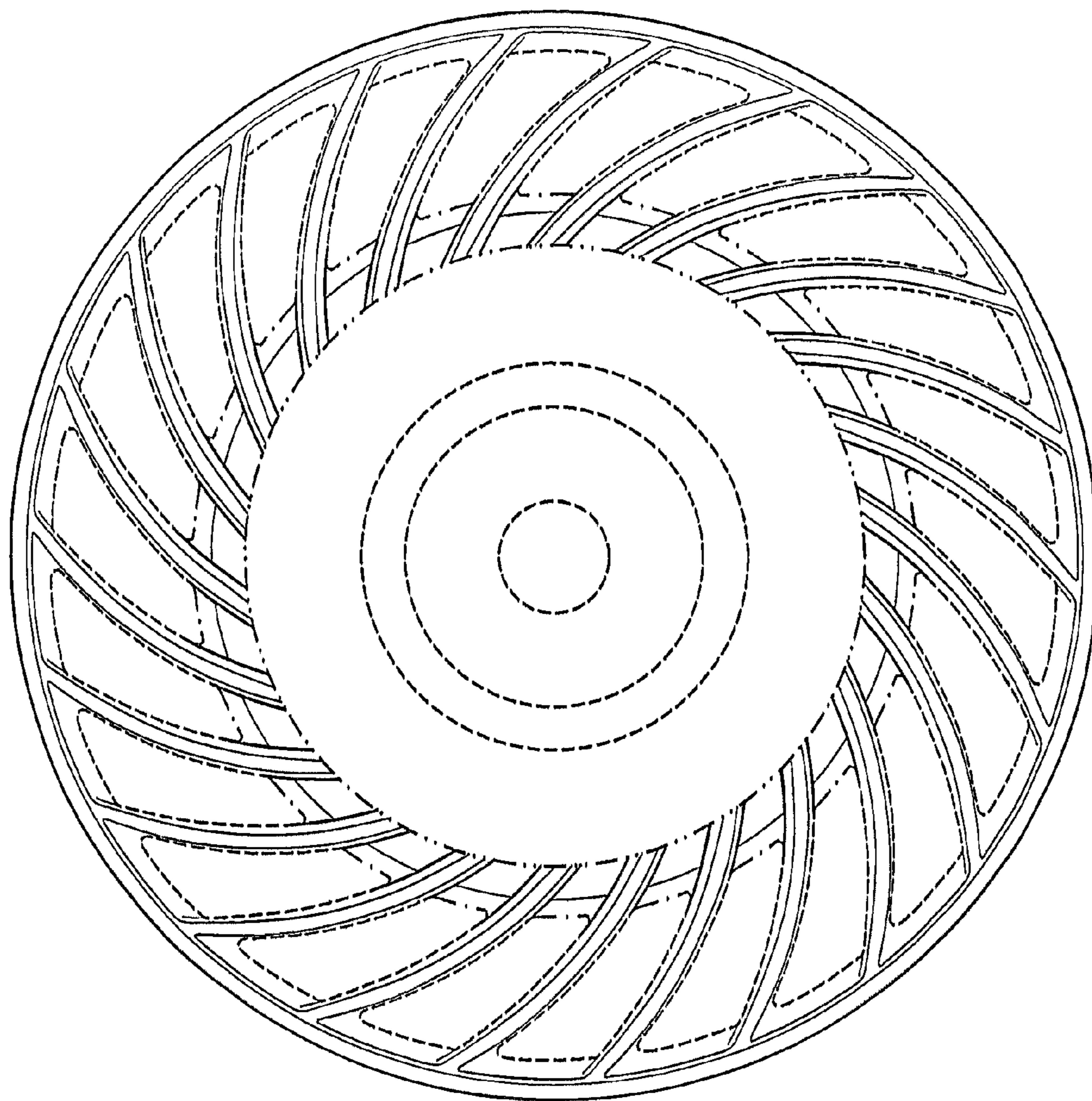


**FIG. 1**

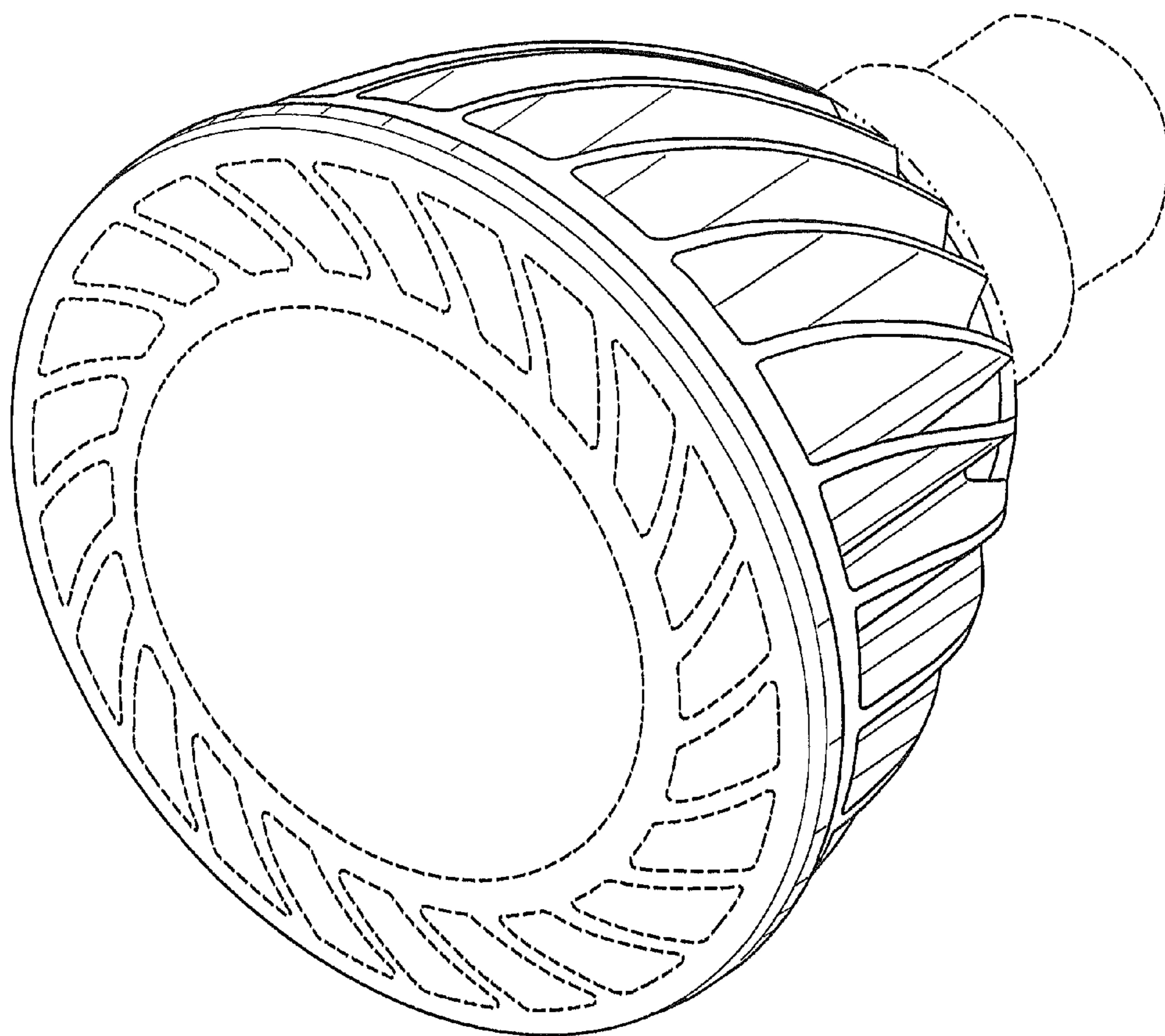




*FIG. 2*



**FIG. 3**



**FIG. 4**

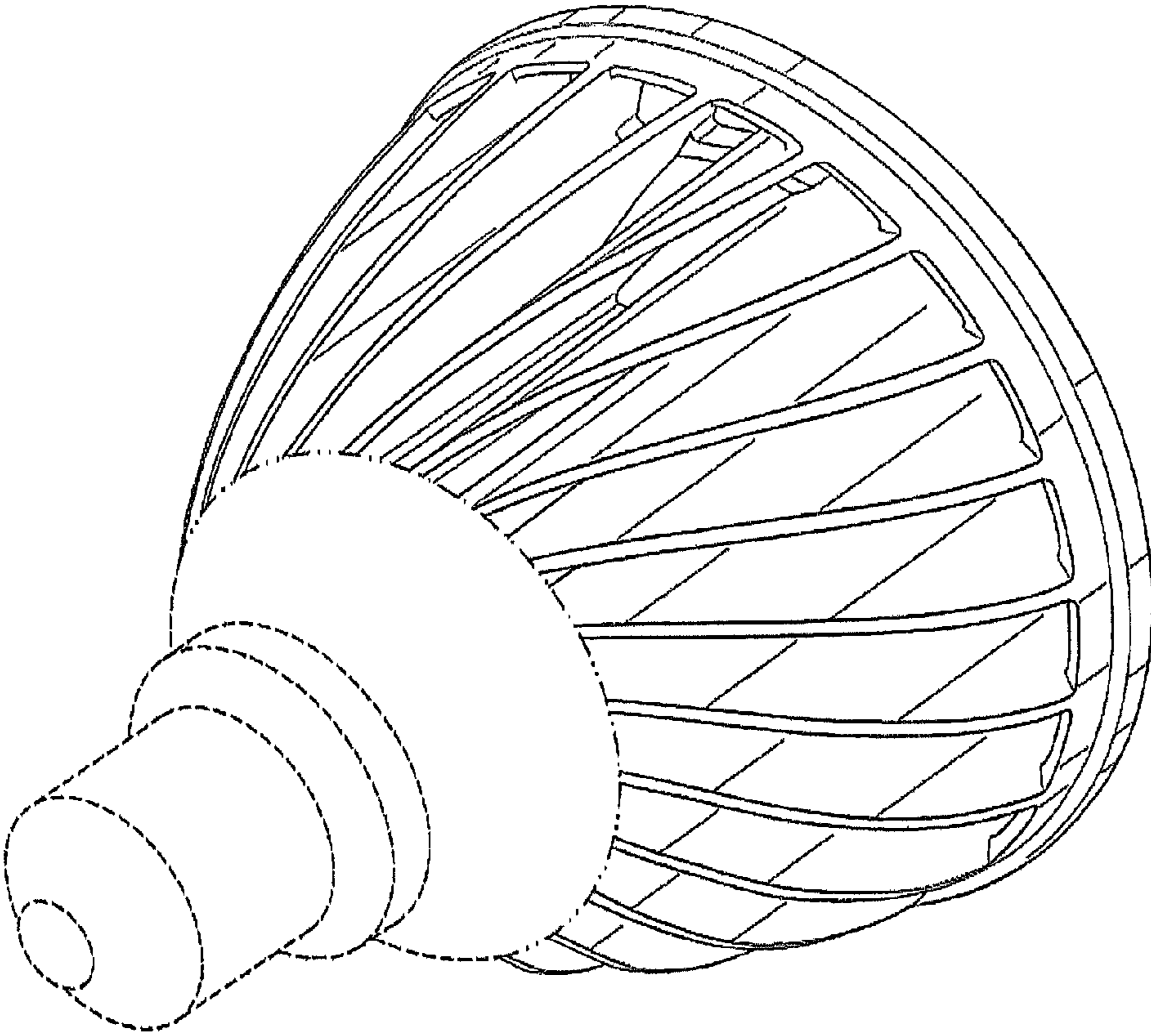


FIG. 5