



US00D726346S

(12) **United States Design Patent**
Soong et al.

(10) **Patent No.:** **US D726,346 S**
(45) **Date of Patent:** **** Apr. 7, 2015**

(54) **LED MODULE FOR AUTOMOTIVE LIGHTING**

(71) Applicant: **Koninklijke Philips Electronics N.V.**, Eindhoven (NL)

(72) Inventors: **Chee Weng Soong**, Penang (MY);
Andreas Lorenz Timinger, Aachen (DE)

(73) Assignee: **Koninklijke Philips N.V.**, Eindhoven (NL)

(**) Term: **14 Years**

(21) Appl. No.: **29/452,906**

(22) Filed: **Apr. 23, 2013**

(30) **Foreign Application Priority Data**

Oct. 23, 2012 (EM) 002123547-0001

(51) **LOC (10) Cl.** **26-04**

(52) **U.S. Cl.**
USPC **D26/1**

(58) **Field of Classification Search**
USPC D26/1-4; 313/313, 315, 316, 317, 318,
313/493; 315/52, 53, 56, 57, 58
See application file for complete search history.

(56) **References Cited**

U.S. PATENT DOCUMENTS

D565,750 S * 4/2008 Egawa D26/1
D594,576 S * 6/2009 Chan et al. D26/1
D621,968 S * 8/2010 Schultz D26/1

* cited by examiner

Primary Examiner — Marcus Jackson

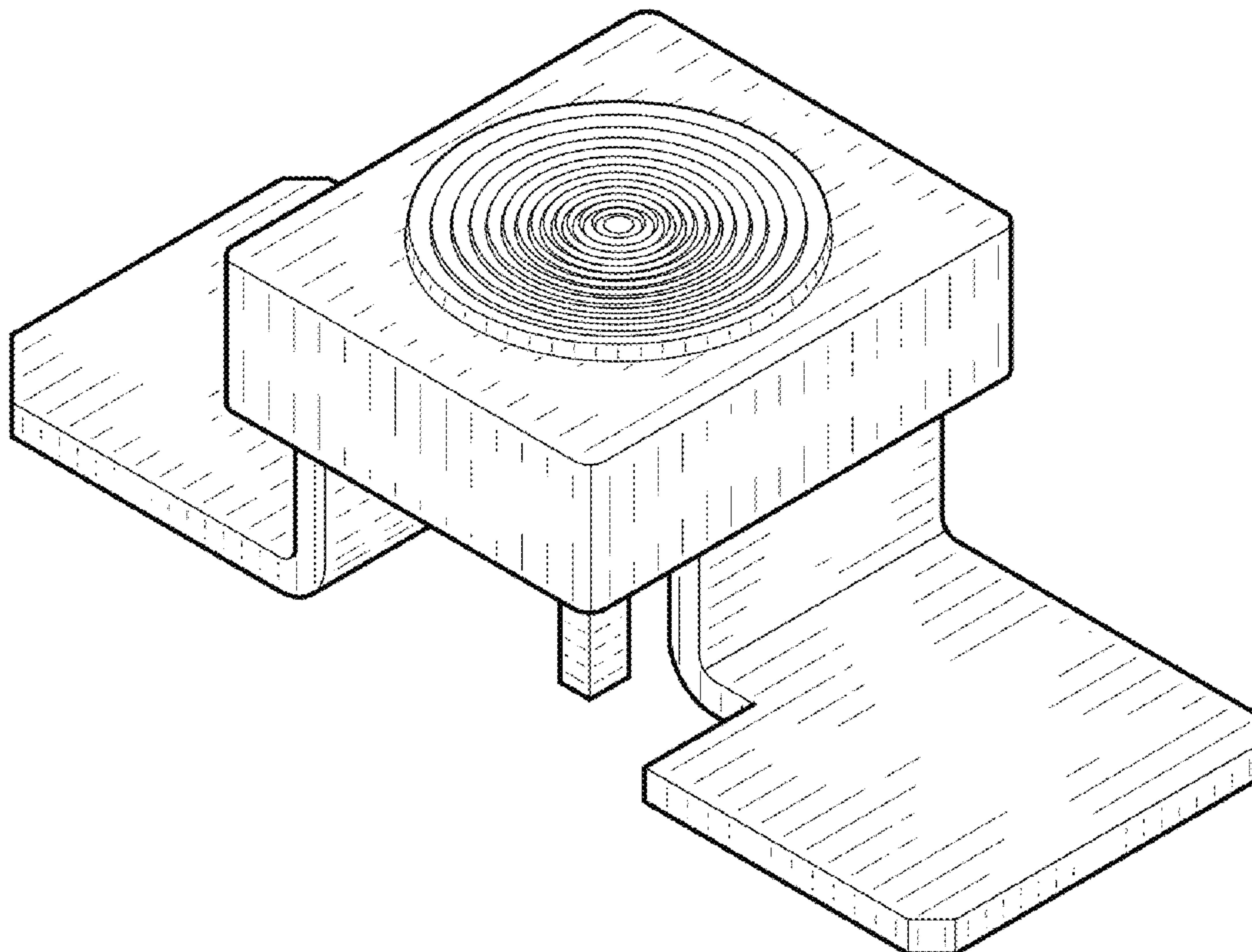
(57) **CLAIM**

The ornamental design for a LED module for automotive lighting, as shown.

DESCRIPTION

FIG. 1 is a perspective view showing my design;
FIG. 2 is a front elevational view thereof;
FIG. 3 is a rear elevational view thereof;
FIG. 4 is a right side elevational view thereof;
FIG. 5 is a left side elevational view thereof;
FIG. 6 is a top plan view thereof; and,
FIG. 7 is a bottom plan view thereof.

1 Claim, 4 Drawing Sheets



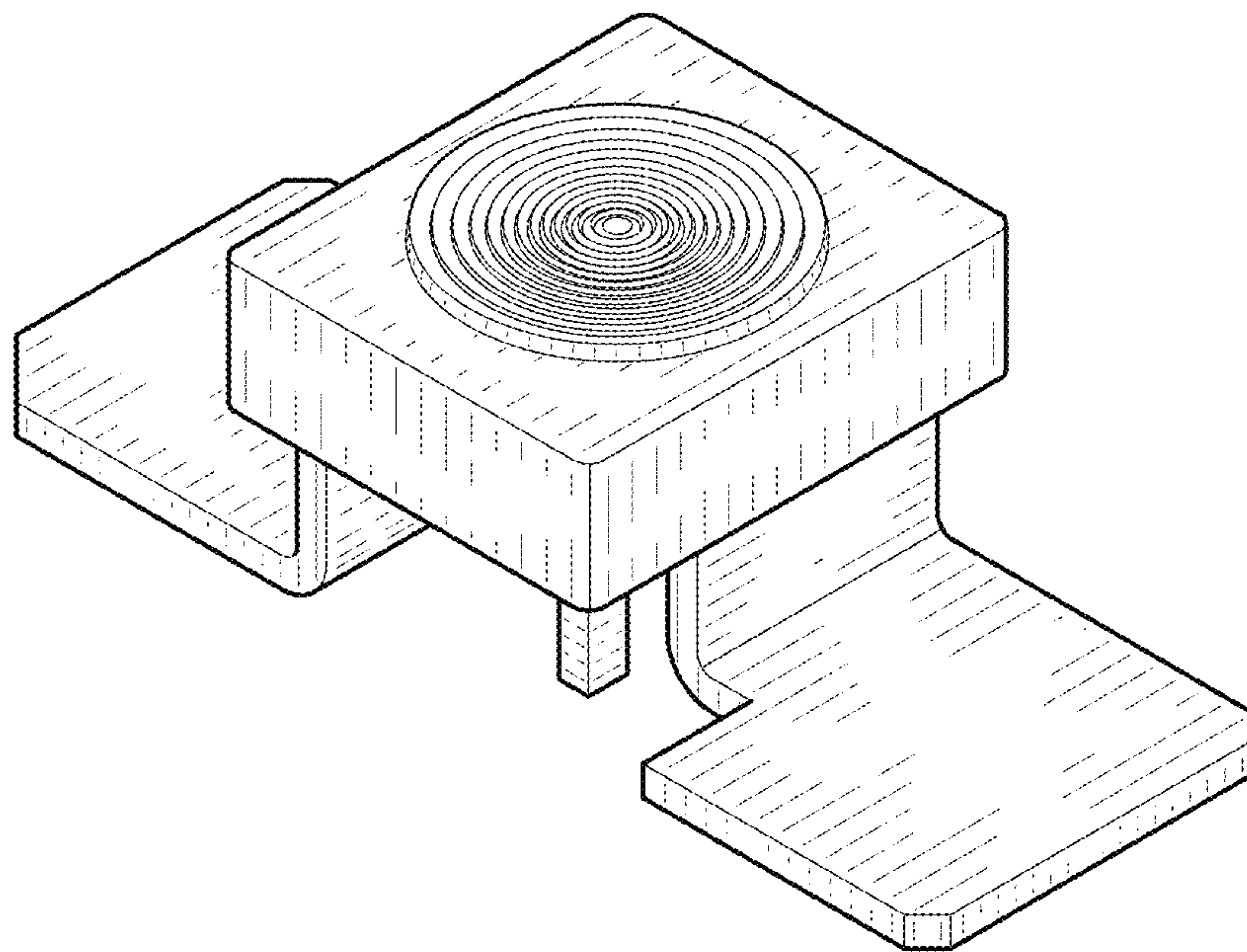


FIG. 1

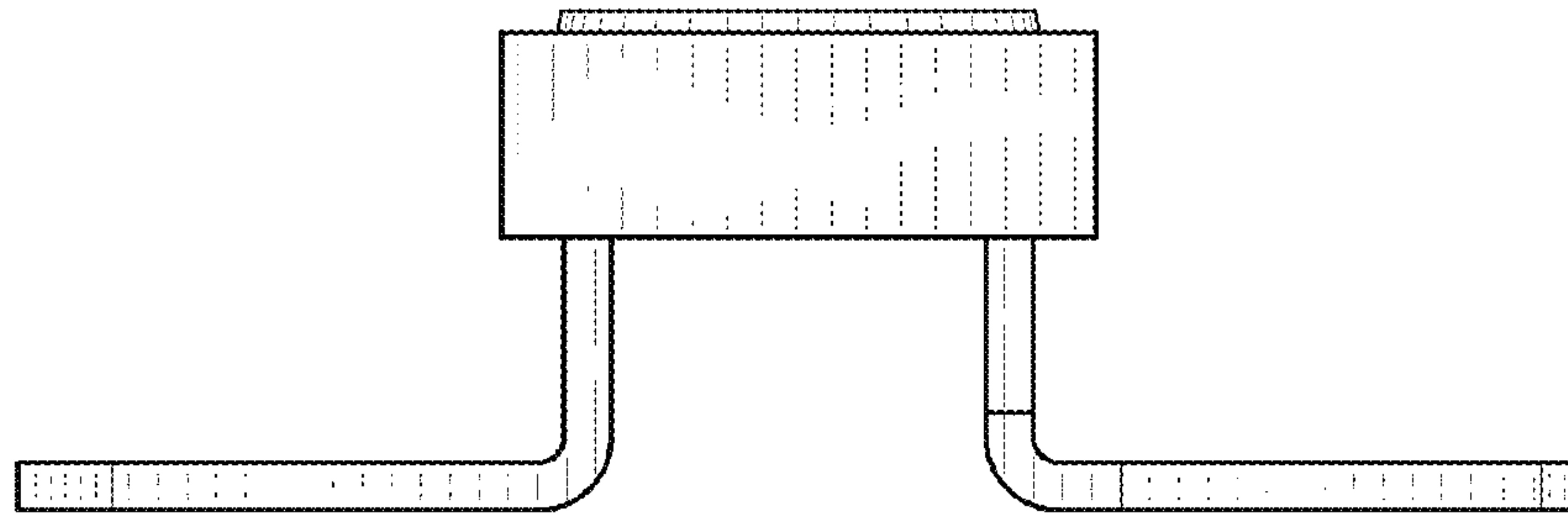


FIG. 2

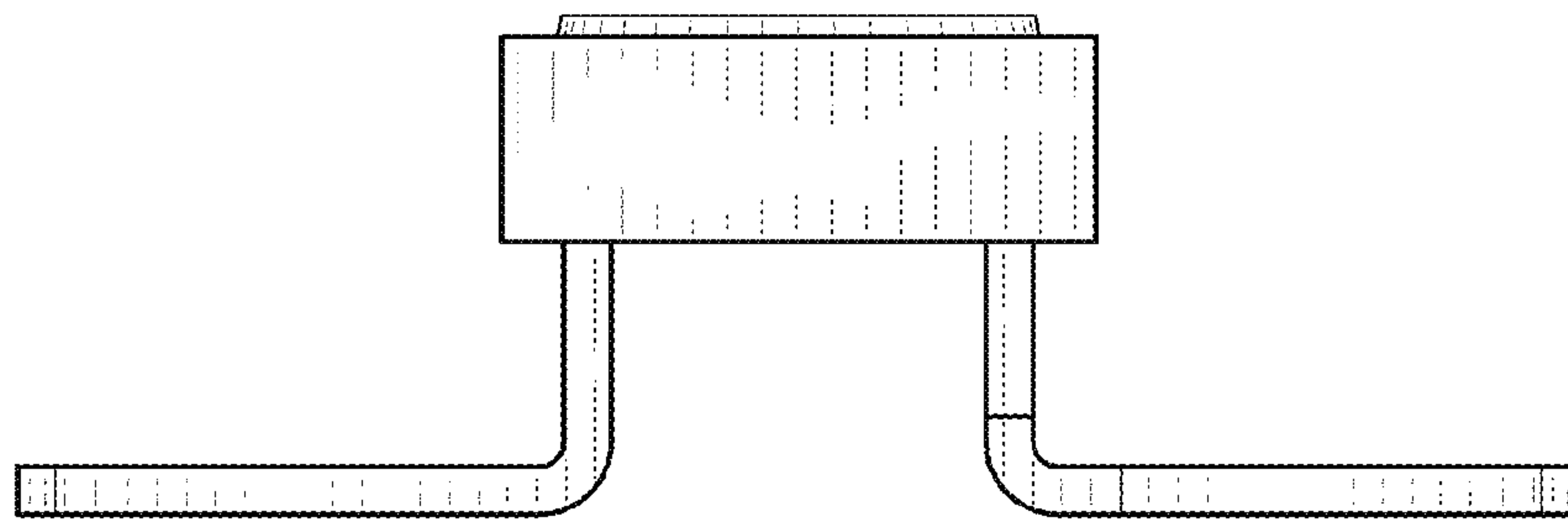


FIG. 3

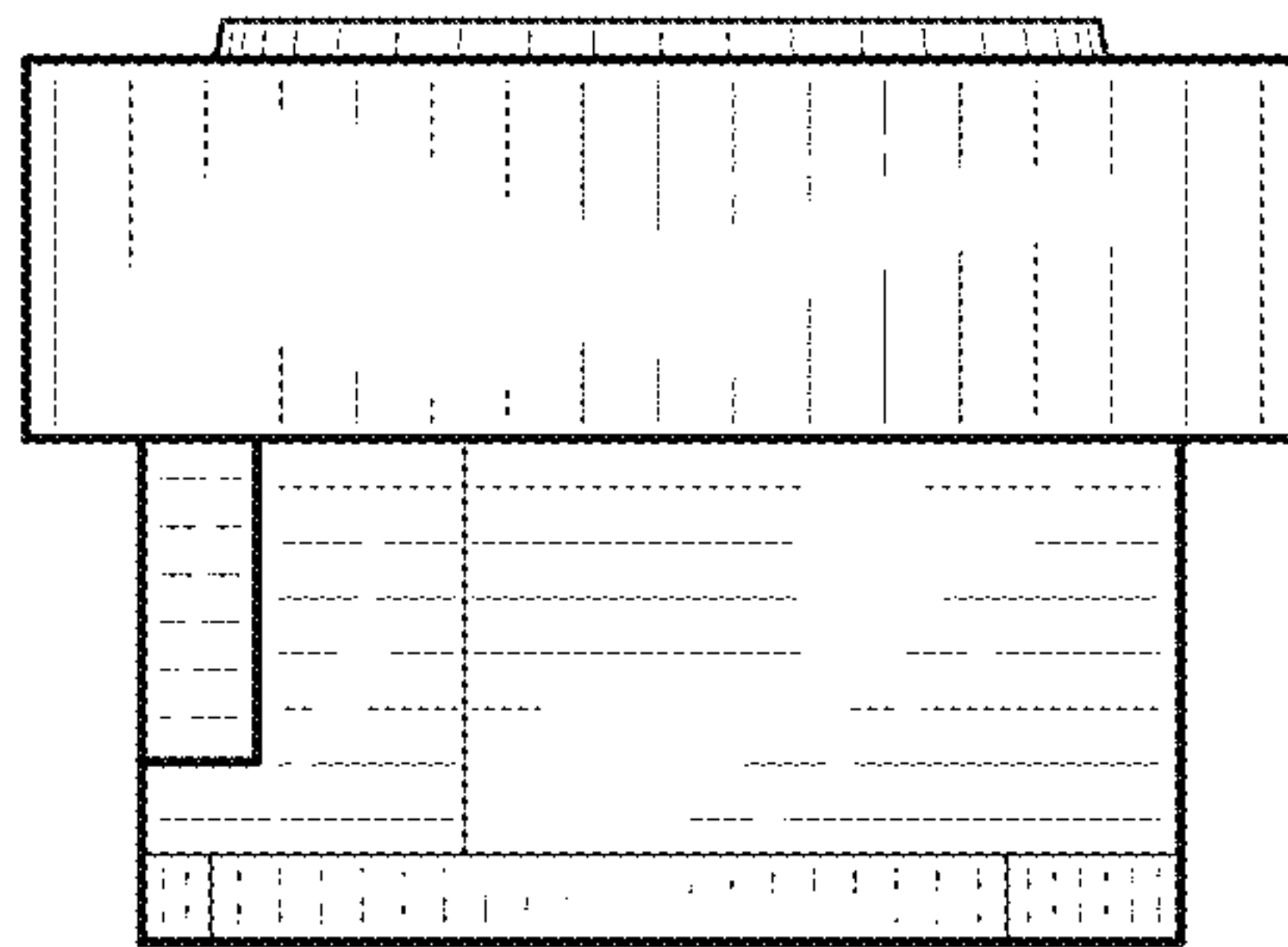


FIG. 4

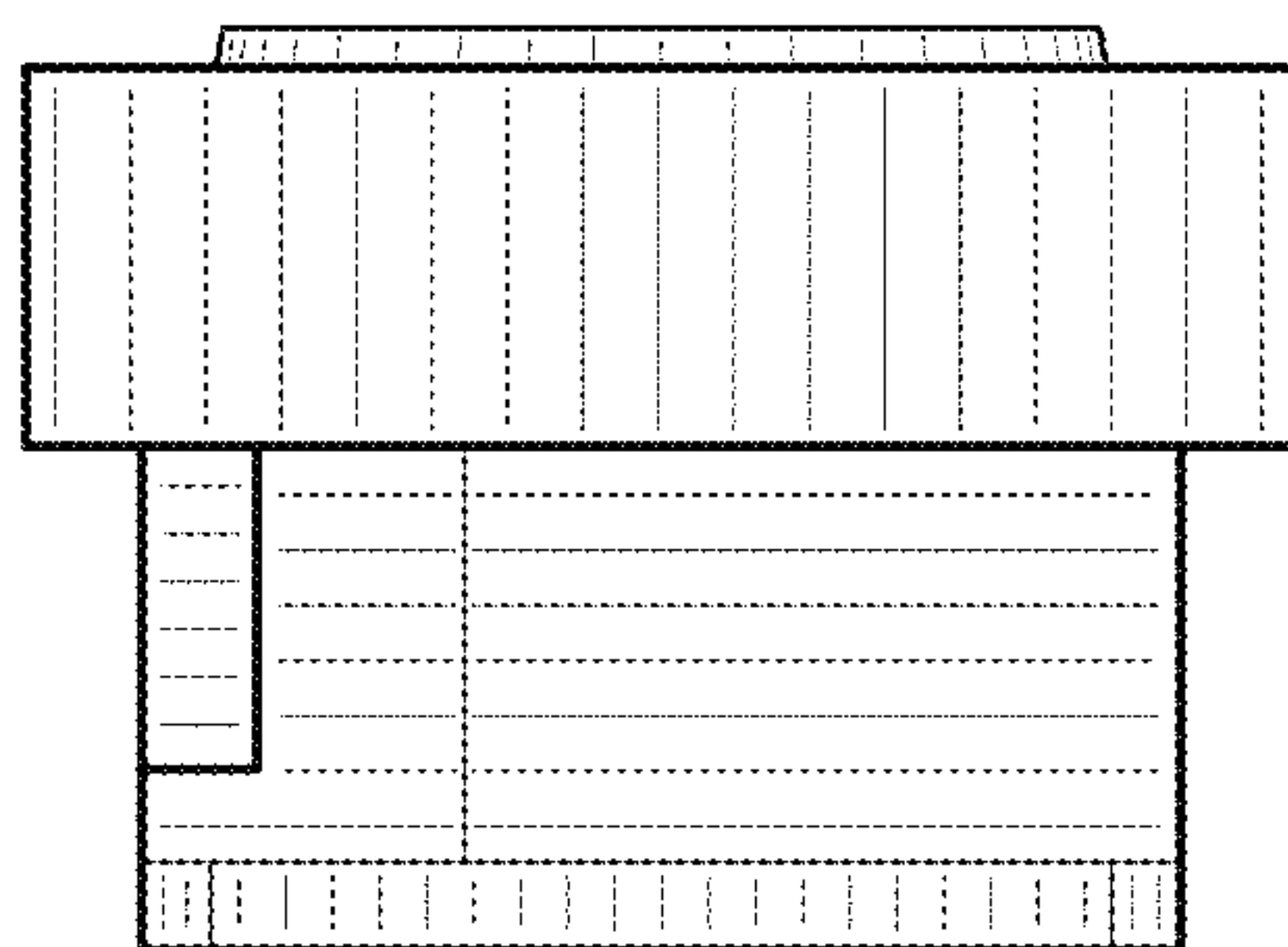


FIG. 5

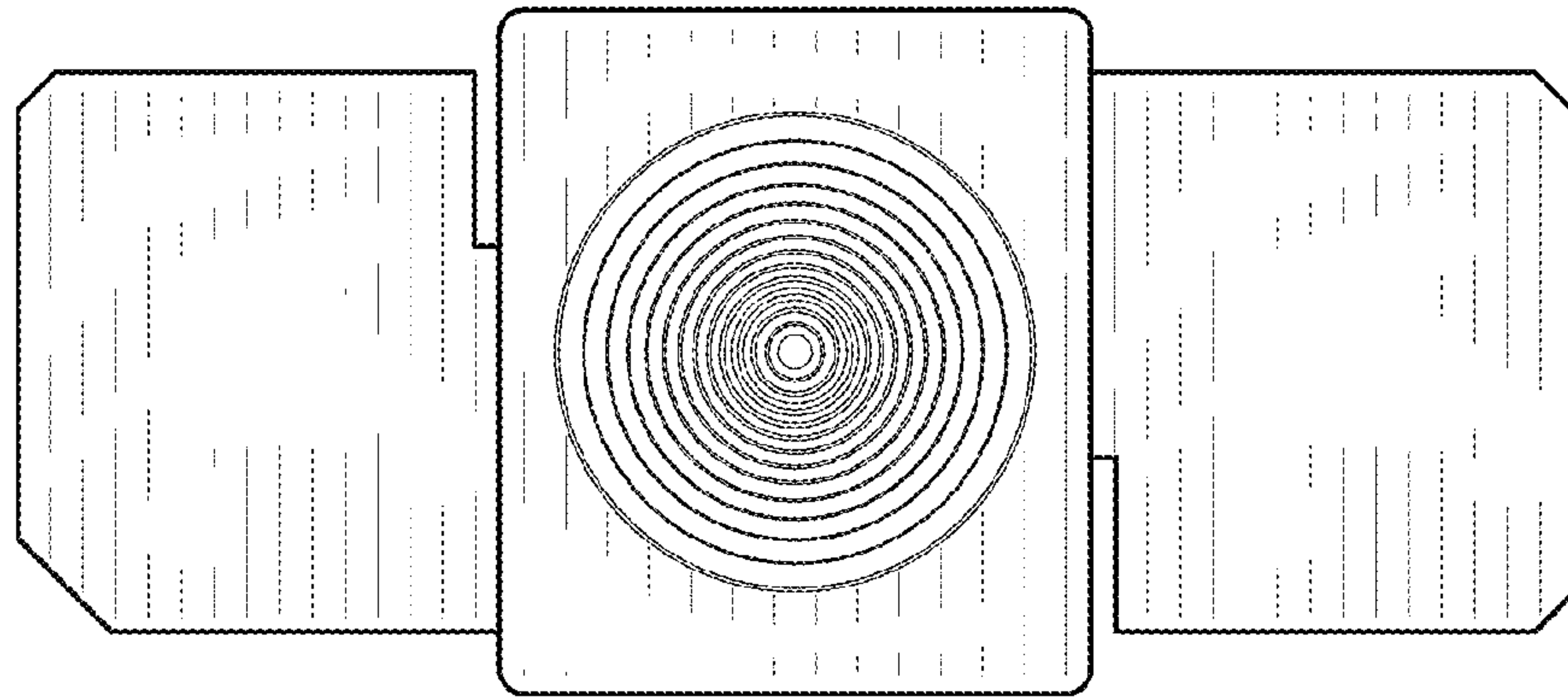


FIG. 6

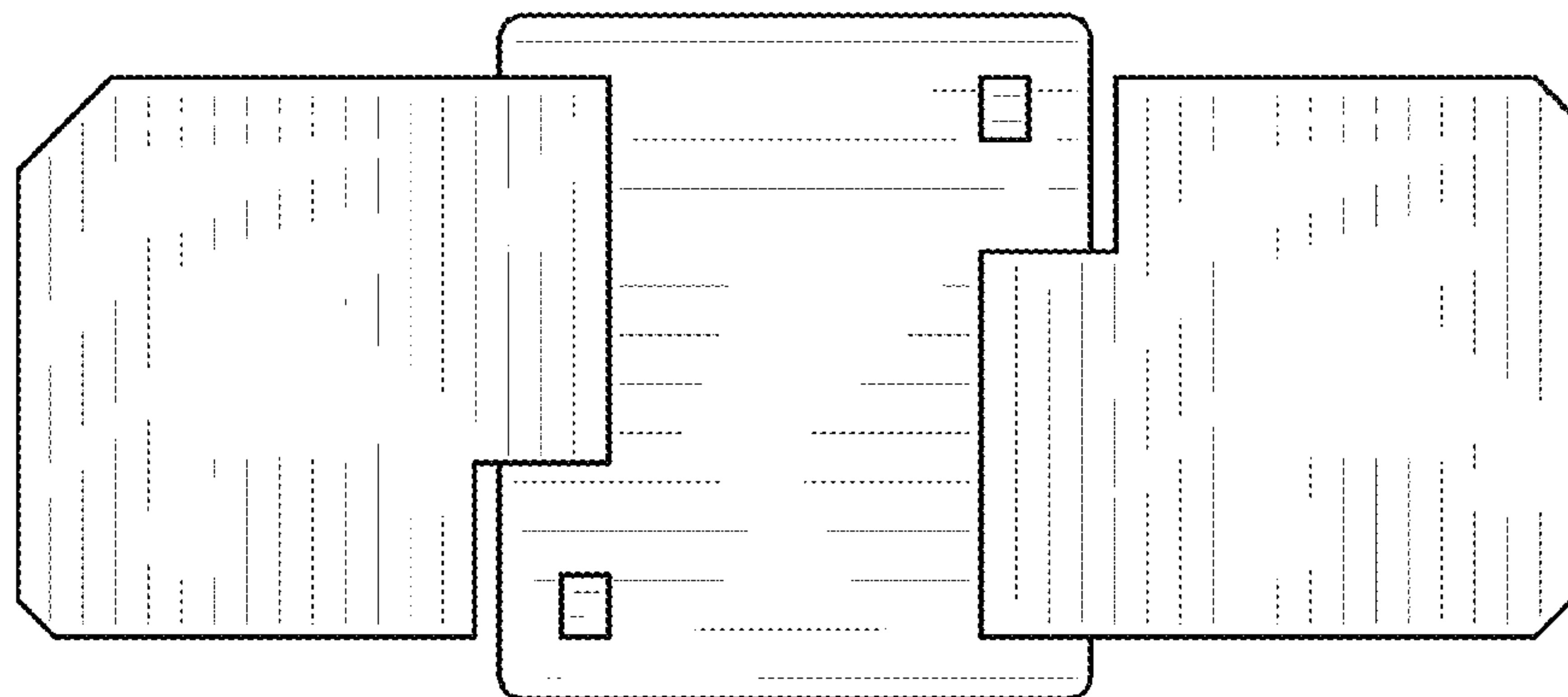


FIG. 7