

US00D726344S

(12) **United States Design Patent**  
**Bakken**

(10) **Patent No.:** **US D726,344 S**

(45) **Date of Patent:** **\*\* Apr. 7, 2015**

(54) **JOINT FOR WALL ELEMENTS**

(71) Applicant: **Morten Bakken**, Helle (NO)

(72) Inventor: **Morten Bakken**, Helle (NO)

(\*\*) Term: **14 Years**

(21) Appl. No.: **29/437,115**

(22) Filed: **Nov. 13, 2012**

(30) **Foreign Application Priority Data**

May 14, 2012 (NO) ..... 20120437

(51) **LOC (10) Cl.** ..... **25-01**

(52) **U.S. Cl.**

USPC ..... **D25/138**

(58) **Field of Classification Search**

USPC ..... D25/138; 52/574, 578, 588.1, 589.1  
See application file for complete search history.

(56) **References Cited**

**U.S. PATENT DOCUMENTS**

6,968,664 B2 \* 11/2005 Thiers et al. .... 52/592.1

D555,813 S \* 11/2007 Herdal ..... D25/138

7,441,384 B2 \* 10/2008 Miller et al. .... 52/589.1

D603,066 S \* 10/2009 Warren et al. .... D25/138  
8,484,924 B2 \* 7/2013 Braun ..... 52/588.1  
2010/0293879 A1 \* 11/2010 Pervan et al. .... 52/588.1

\* cited by examiner

*Primary Examiner* — Doris Clark

(74) *Attorney, Agent, or Firm* — Wenderoth, Lind & Ponack,  
L.L.P.

(57) **CLAIM**

I claim the ornamental design for joint for wall elements, as shown and described.

**DESCRIPTION**

FIG. 1 is an enlarged top view of the right end of one wall element of the joint for wall elements.

FIG. 2 is an enlarged top view of the left end of another wall element of the joint for wall elements;

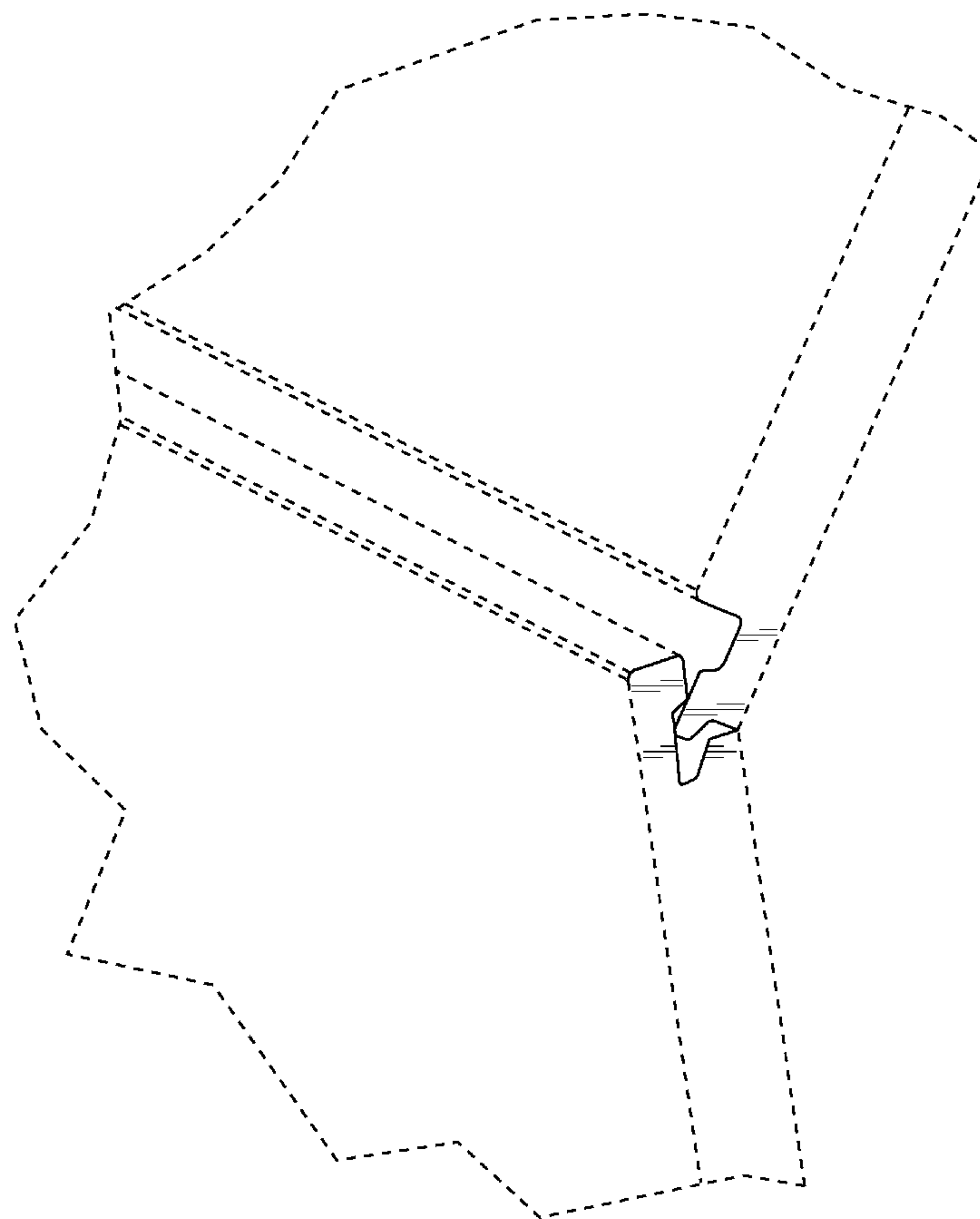
FIG. 3 is an enlarged top view of the joint for wall elements;

FIG. 4 is a perspective view of the corner portion of the joint for wall elements in the process of being connected; and,

FIG. 5 is an enlarged top view of the joint for wall elements in the process of being connected.

The broken lines shown in the drawings form no part of the claimed design.

**1 Claim, 4 Drawing Sheets**

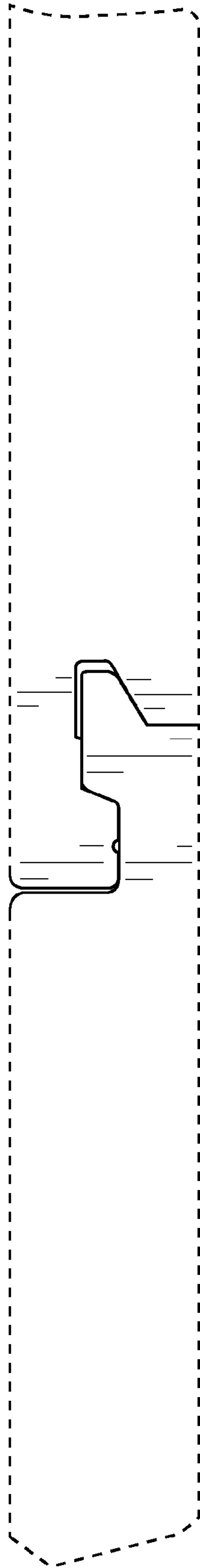




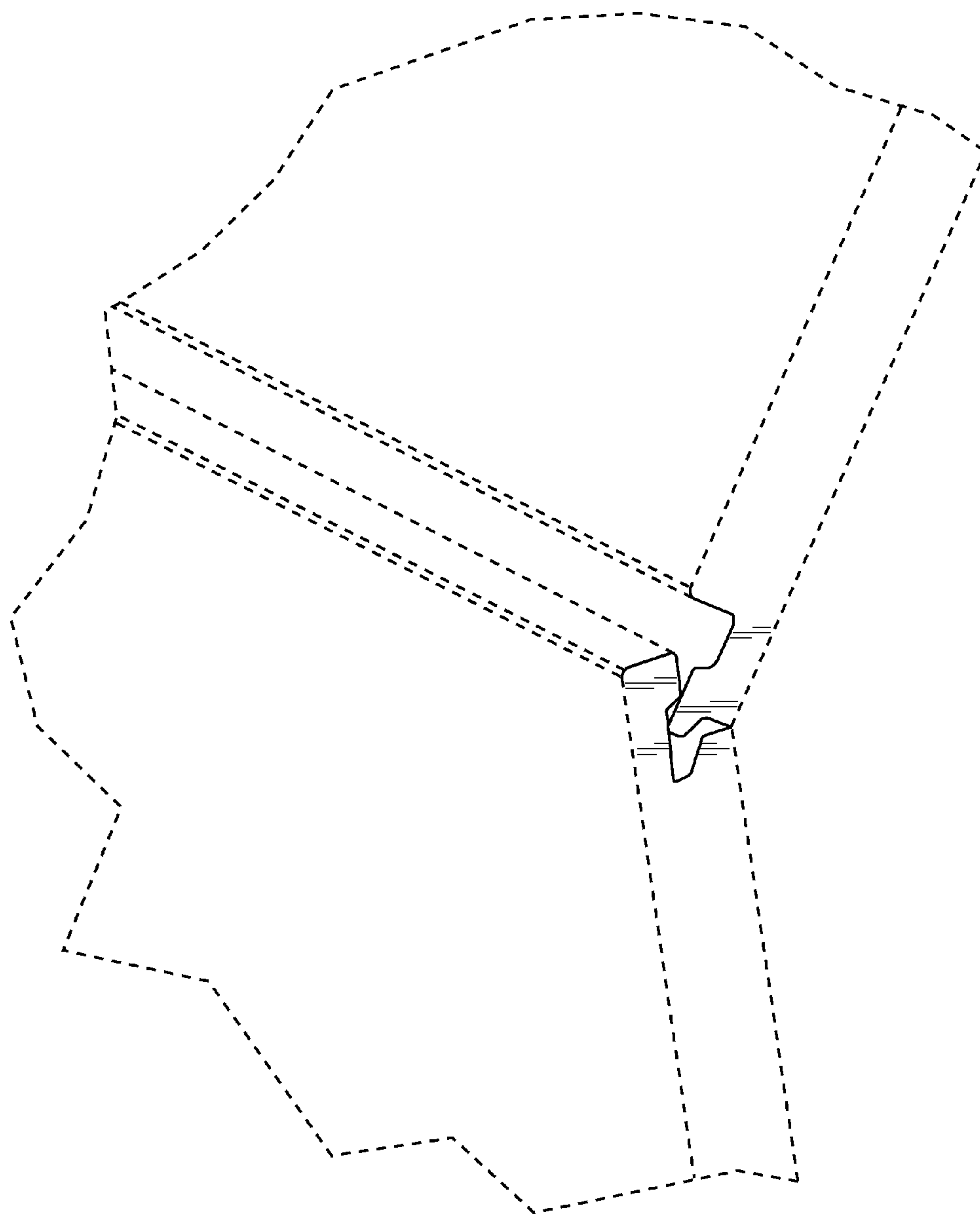
**FIG. 1**



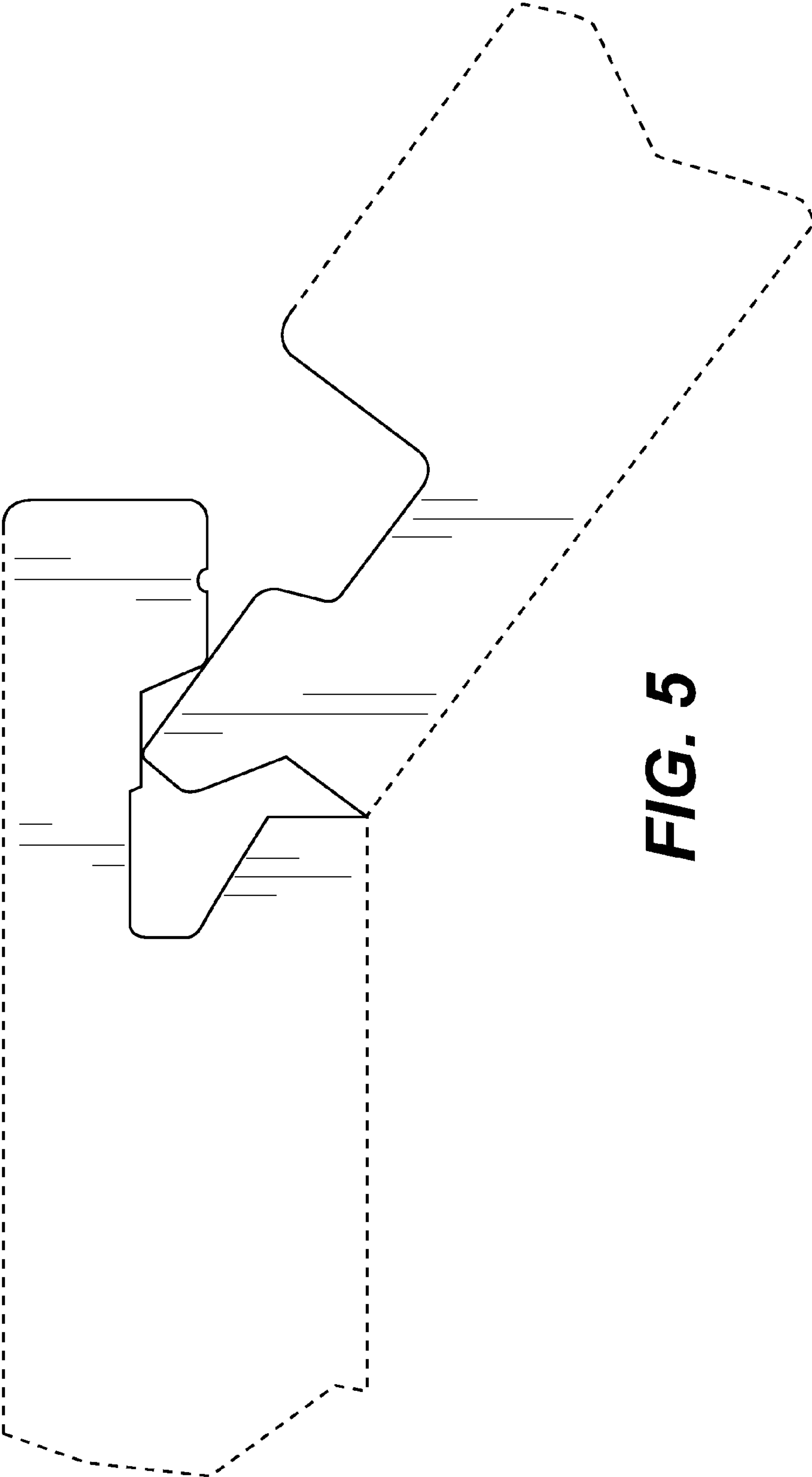
**FIG. 2**



**FIG. 3**



**FIG. 4**



**FIG. 5**