



US00D726342S

(12) **United States Design Patent**
Rodriguez

(10) **Patent No.:** **US D726,342 S**
(45) **Date of Patent:** **** Apr. 7, 2015**

(54) **POST STRAP STABILIZER**

(71) Applicant: **VMR Product Group**, San Antonio, TX (US)

(72) Inventor: **Eloy Rodriguez**, San Antonio, TX (US)

(73) Assignee: **VMR Product Group**, San Antonio, TX (US)

(**) Term: **14 Years**

(21) Appl. No.: **29/464,541**

(22) Filed: **Aug. 18, 2013**

(51) **LOC (10) Cl.** **25-01**

(52) **U.S. Cl.**
USPC **D25/133**

(58) **Field of Classification Search**
USPC D25/133, 128, 131; 52/698, 297, 699,
52/700, 719; 256/65.14
See application file for complete search history.

(56) **References Cited**

U.S. PATENT DOCUMENTS

1,671,185 A 8/1875 McDonald
748,946 A 1/1904 Hansberger

1,081,976 A	12/1913	Mccain	
1,991,087 A	2/1935	Falcon	
3,550,343 A	12/1970	Buske	
4,793,110 A	12/1988	Tucker	
4,979,817 A	12/1990	Crisp, Sr.	
6,502,362 B1 *	1/2003	Zambelli et al.	52/698
D610,717 S *	2/2010	Lin	D25/133
7,726,091 B2 *	6/2010	Frohlich et al.	52/707
D634,448 S *	3/2011	Richmond	D25/133
D646,799 S *	10/2011	Yasher et al.	D25/133
8,037,651 B2 *	10/2011	Dent	52/296
2007/0267552 A1	11/2007	Meyer	

* cited by examiner

Primary Examiner — Doris Clark

(74) *Attorney, Agent, or Firm* — Volk & McElroy, LLP;
Michael D. Volk, Jr.

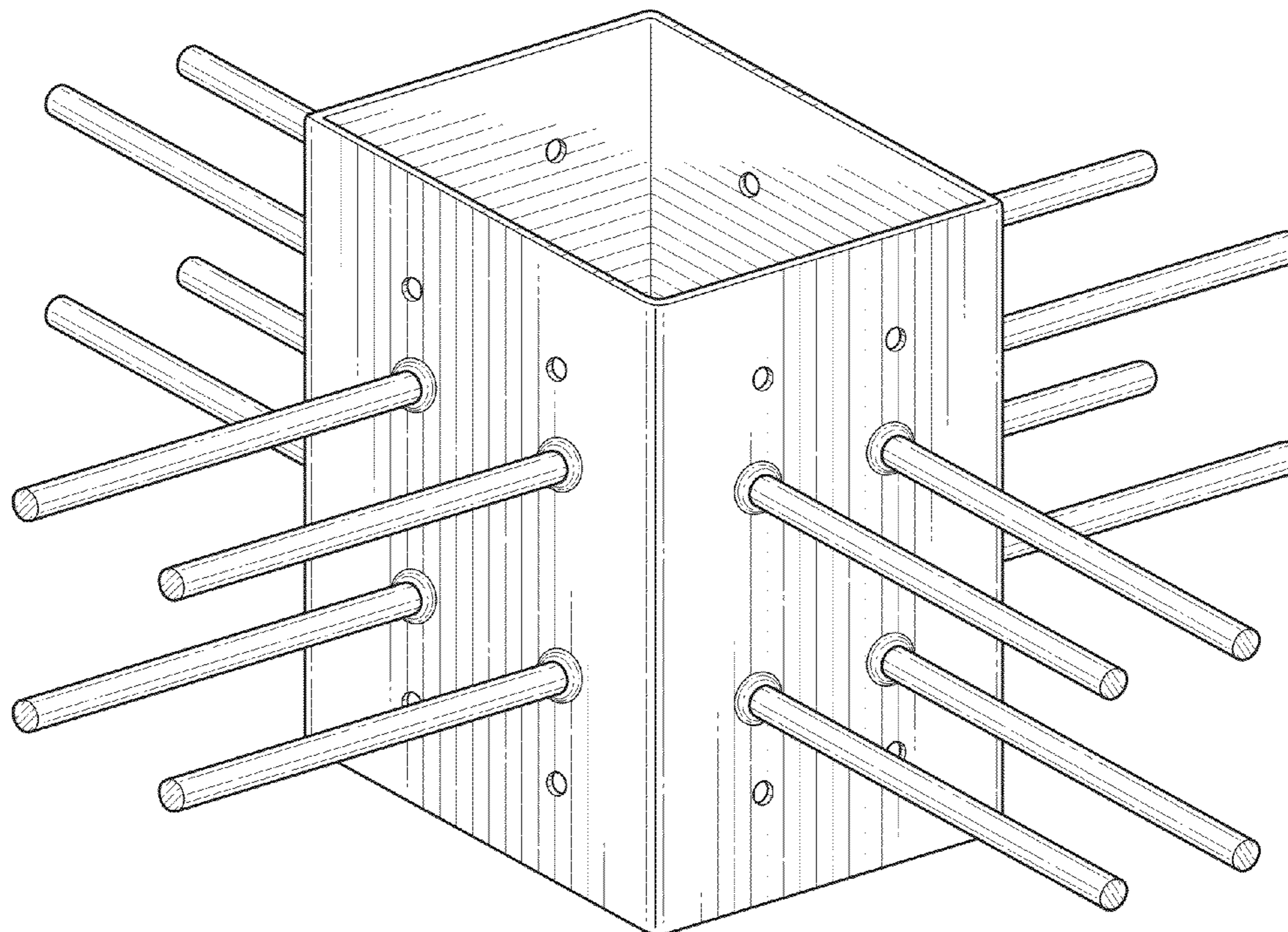
(57) **CLAIM**

The ornamental design for a post strap stabilizer, as shown.

DESCRIPTION

FIG. 1 is a perspective view of a post strap stabilizer showing my new design;
FIG. 2 is a front view thereof the rear is identical thereto;
FIG. 3 is a left view thereof the right side is identical thereto;
and,
FIG. 4 is a top view thereof the bottom is identical thereto.

1 Claim, 3 Drawing Sheets



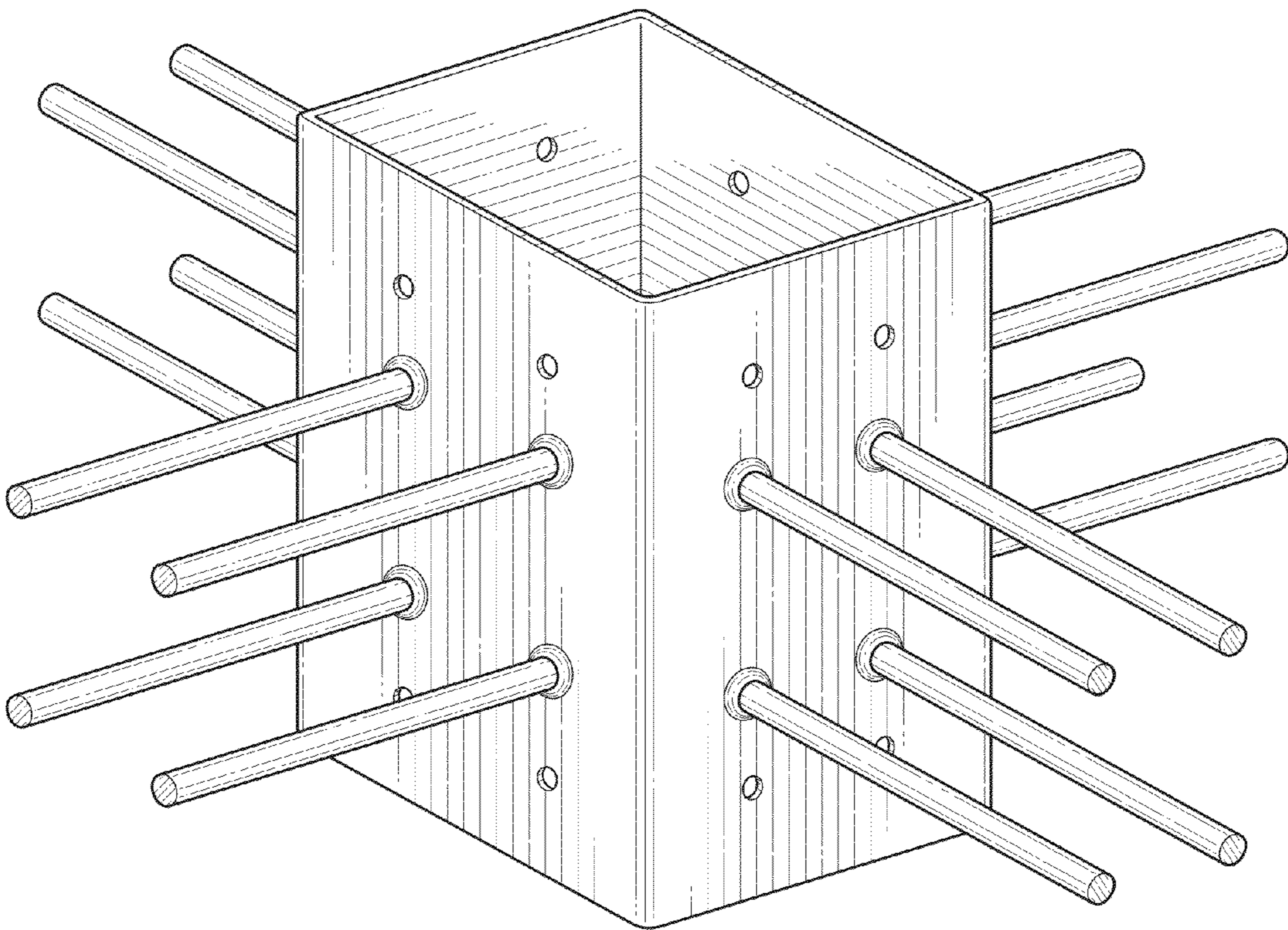


FIG. 1

2/3

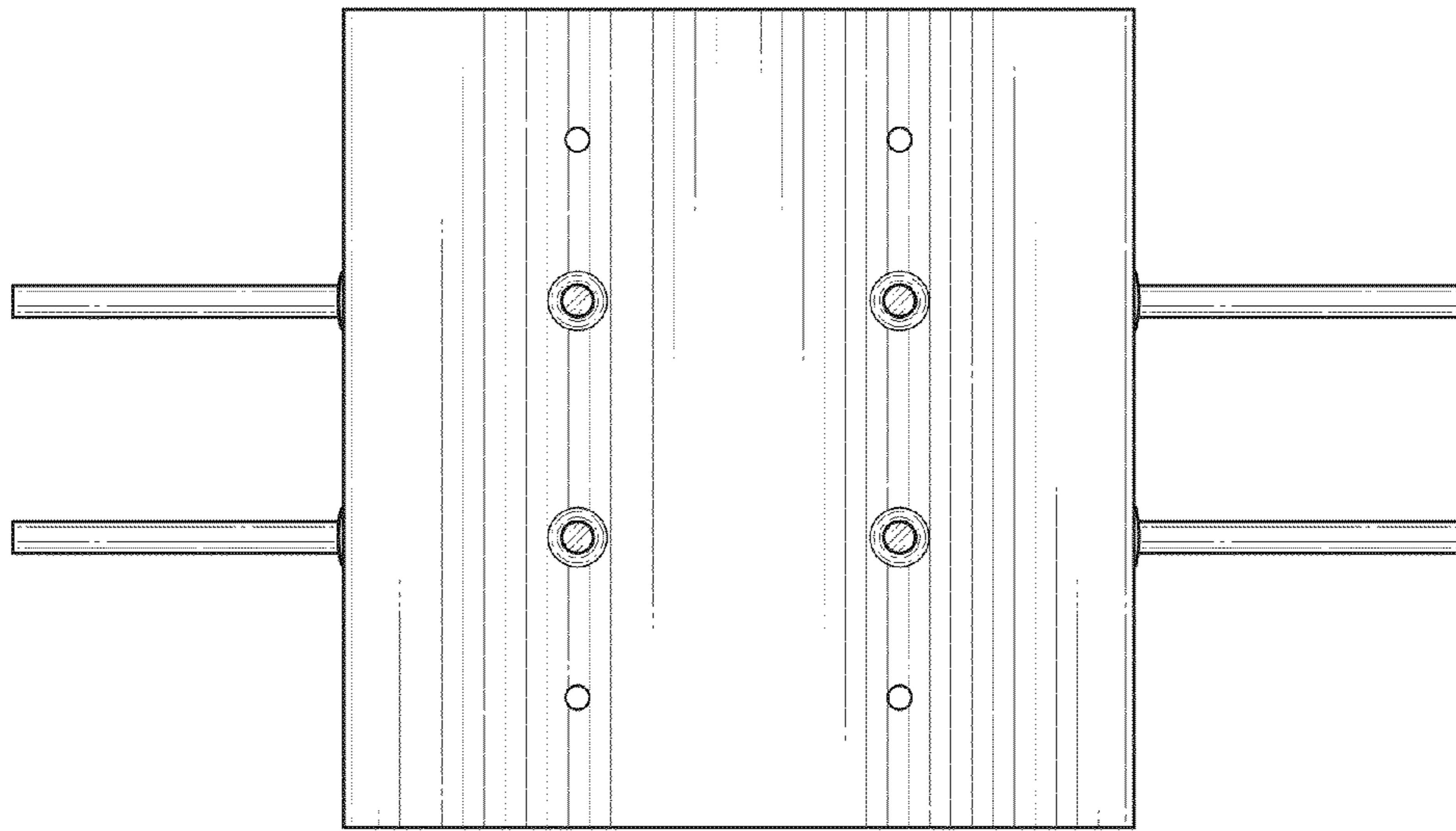


FIG. 2

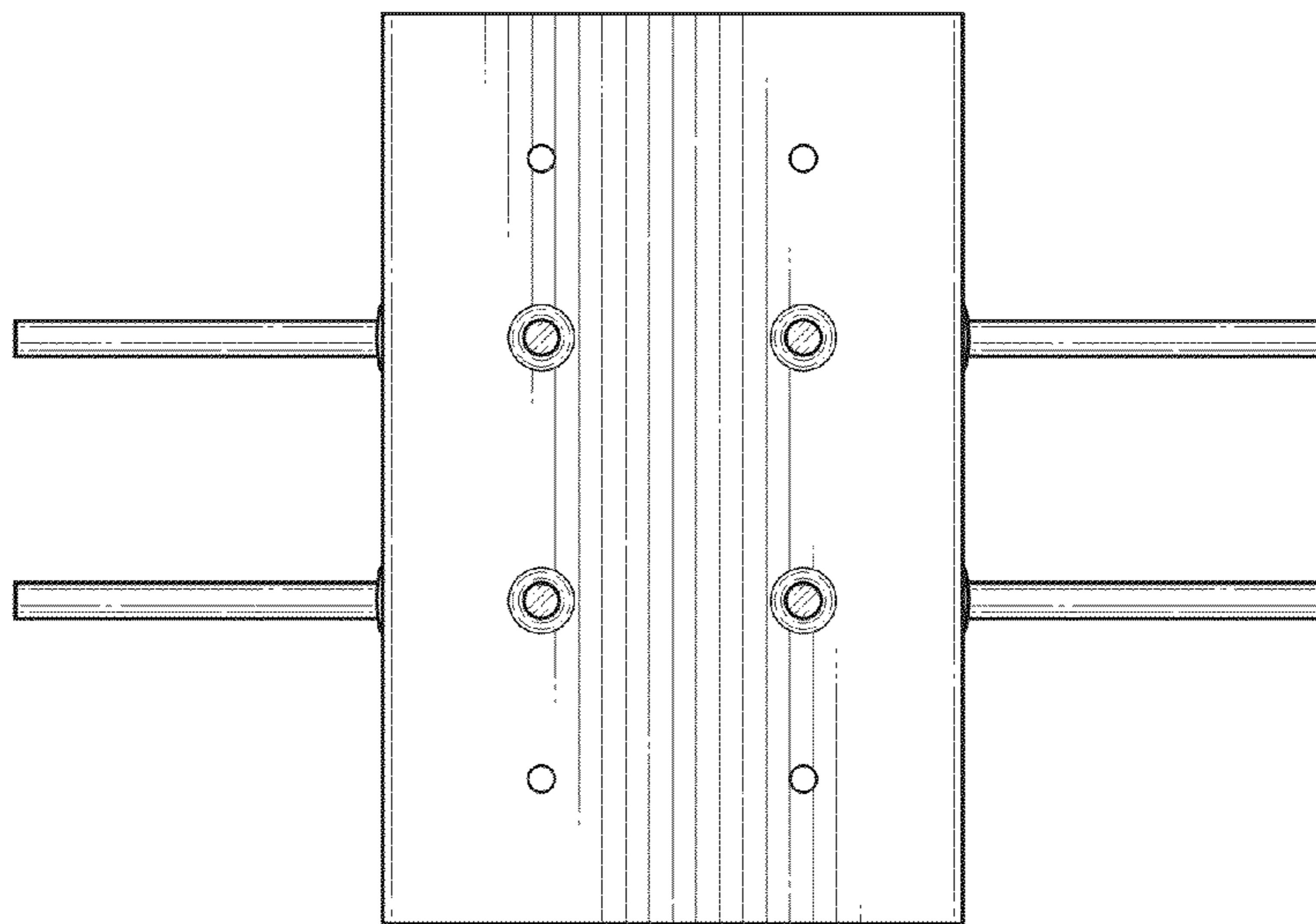


FIG. 3

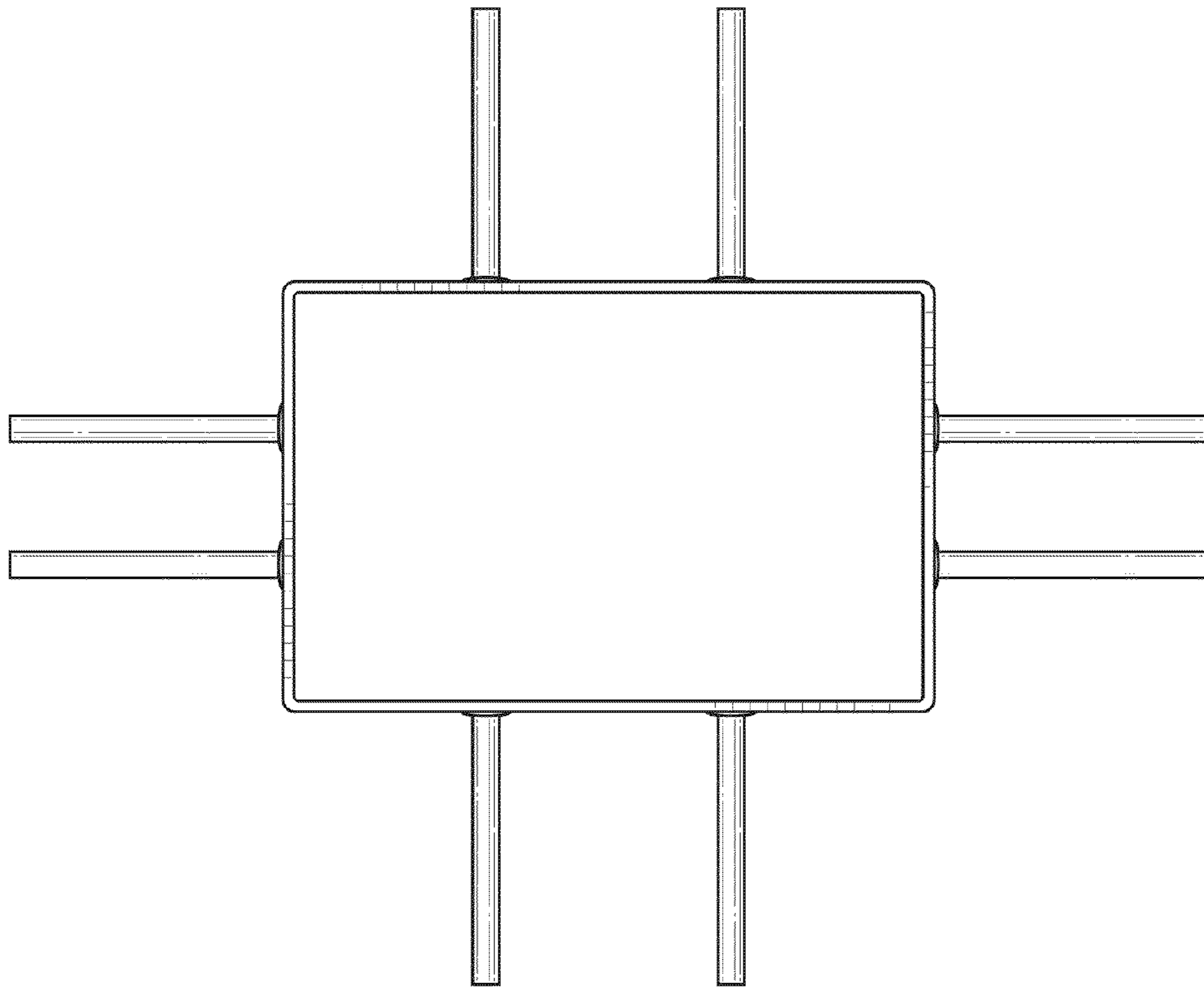


FIG. 4