



US00D726340S

(12) **United States Design Patent**
Kleiman

(10) **Patent No.:** **US D726,340 S**
(45) **Date of Patent:** **** Apr. 7, 2015**

- (54) **COMBINED FOLDING DOOR JAMB AND END PANEL**
- (71) Applicant: **Ronald Kleiman**, Boca Raton, FL (US)
- (72) Inventor: **Ronald Kleiman**, Boca Raton, FL (US)
- (**) Term: **14 Years**
- (21) Appl. No.: **29/471,426**
- (22) Filed: **Oct. 31, 2013**

Related U.S. Application Data

- (63) Continuation-in-part of application No. 29/469,418, filed on Oct. 10, 2013.
- (51) **LOC (10) Cl.** **25-02**
- (52) **U.S. Cl.**
USPC **D25/48.4**
- (58) **Field of Classification Search**
USPC D25/48.4; 160/229.1, 206, 84.01,
160/DIG. 8; 52/5
See application file for complete search history.

References Cited

U.S. PATENT DOCUMENTS

3,359,594	A	12/1967	Pastoor	
3,405,756	A	10/1968	Harris	
3,419,063	A	12/1968	Mock et al.	
D345,018	S	3/1994	Maas	
5,373,887	A	12/1994	Glover	
D406,355	S	3/1999	Kinsey	
6,325,135	B1 *	12/2001	Lee	160/229.1
D641,560	S *	7/2011	Thompson	D6/332

* cited by examiner

Primary Examiner — Doris Clark

(74) *Attorney, Agent, or Firm* — Robert C. Kain, Jr.

(57) **CLAIM**

I claim the ornamental design for the combined folding door jamb and end panel, as shown and described.

DESCRIPTION

FIG. 1 is a front elevational view of the combined folding door jamb and end panel in an open configuration. The rear view of the folding door shown in FIG. 1 being a mirror image of the front view.

FIG. 2 is an enlarged front view of the combined folding door jamb and end panel taken from the upper right portion in FIG. 1.

FIG. 3 is a bottom view of the folding door shown in FIG. 1.

FIG. 4 is a top view of the folding door shown in FIG. 1.

FIG. 5 is a left side view of the folding door shown in FIG. 1.

FIG. 6 is a right side view of the folding door shown in FIG. 1.

FIG. 7 is a front elevational view of the combined folding door jamb and end panel in a closed configuration. The rear view of the closed folding door shown in FIG. 7 being a mirror image of the front view.

FIG. 8 is an enlarged front view of the combined folding door jamb and end panel taken from the upper portion in FIG. 7.

FIG. 9 is a bottom view of the closed folding door shown in FIG. 7.

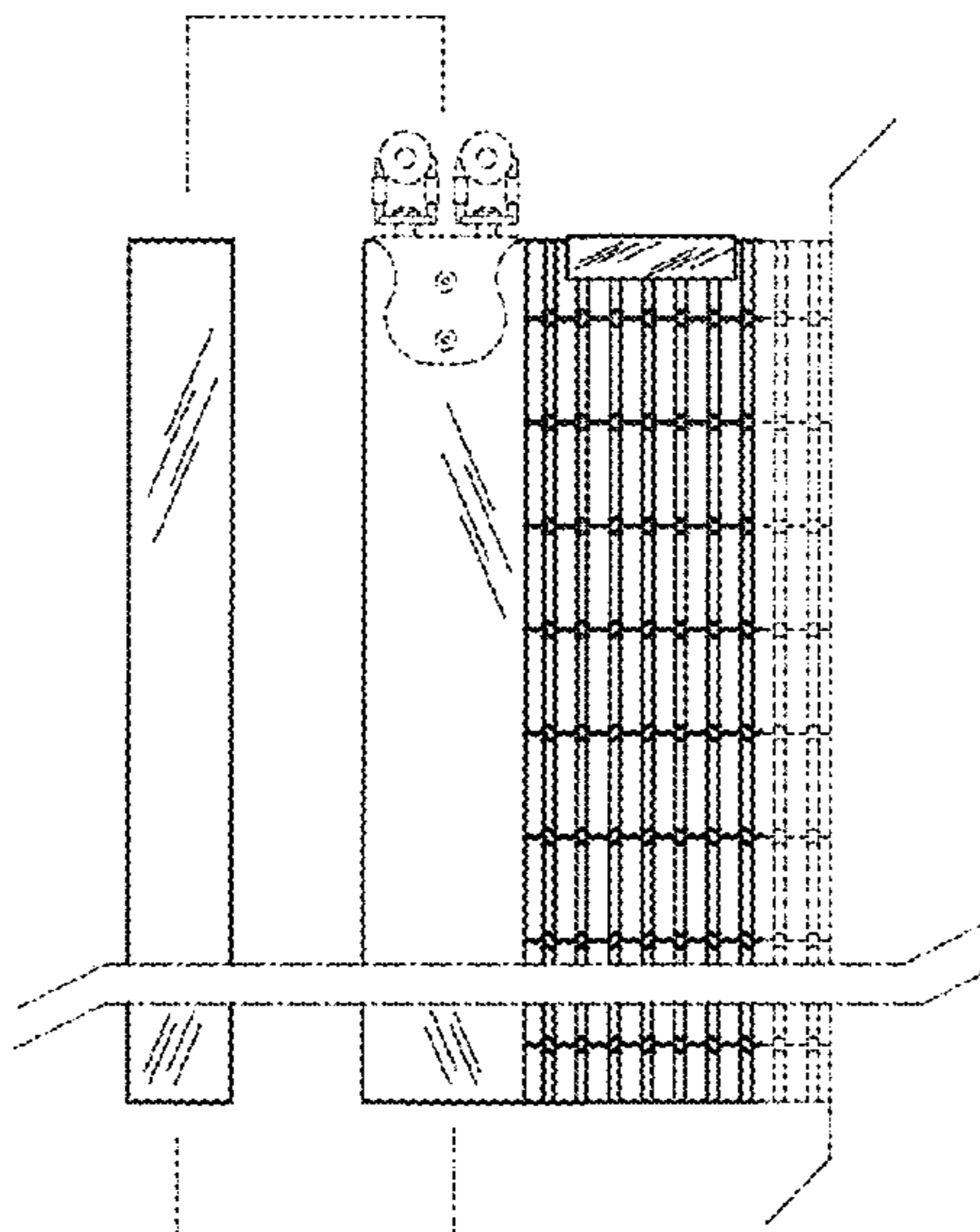
FIG. 10 is a top view of the closed folding door shown in FIG. 7.

FIG. 11 is a left side view of the closed folding door shown in FIG. 7; and,

FIG. 12 is a right side view of the closed folding door shown in FIG. 7.

The broken lines showing castors and mini slats are for illustrative purposes only and form no part of the claimed design. The broken away sections illustrate indefinite length of the claimed design.

1 Claim, 8 Drawing Sheets



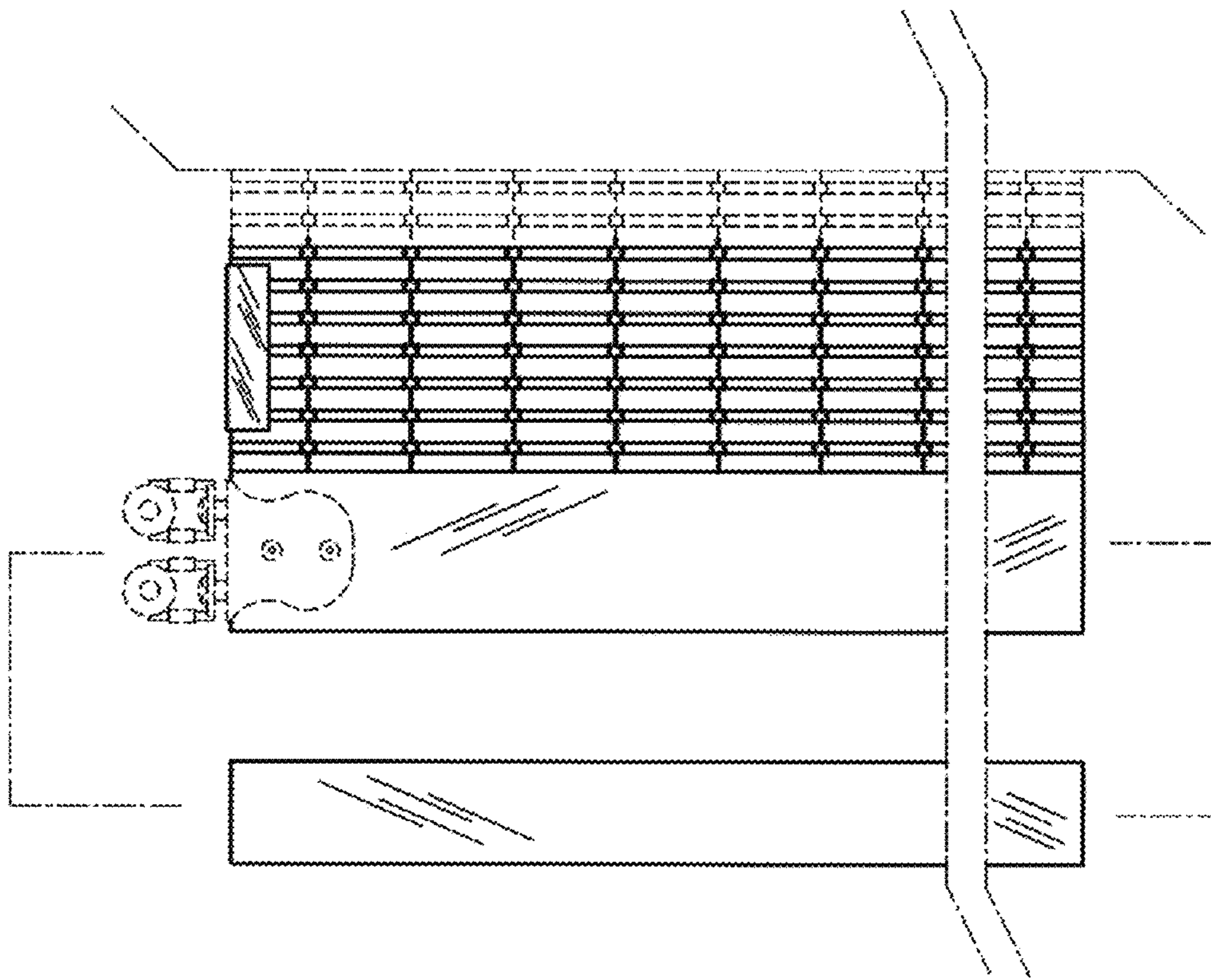


FIG.1

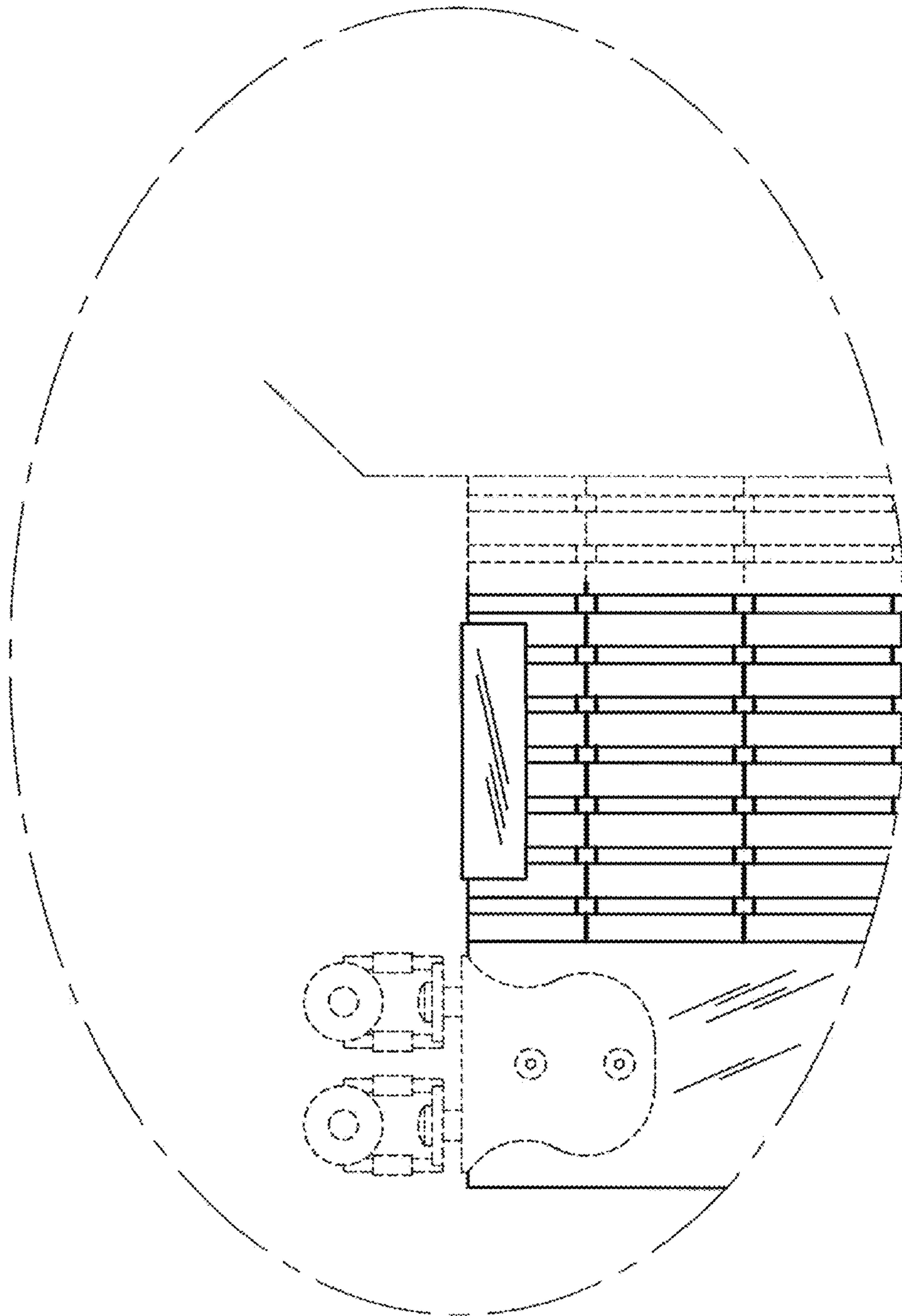
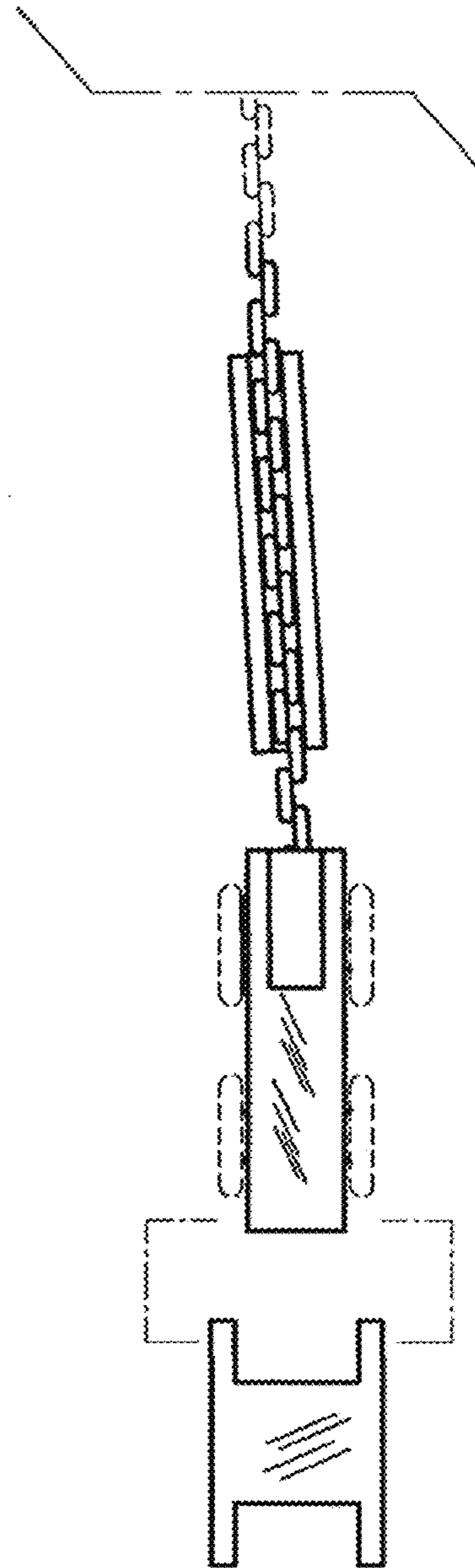
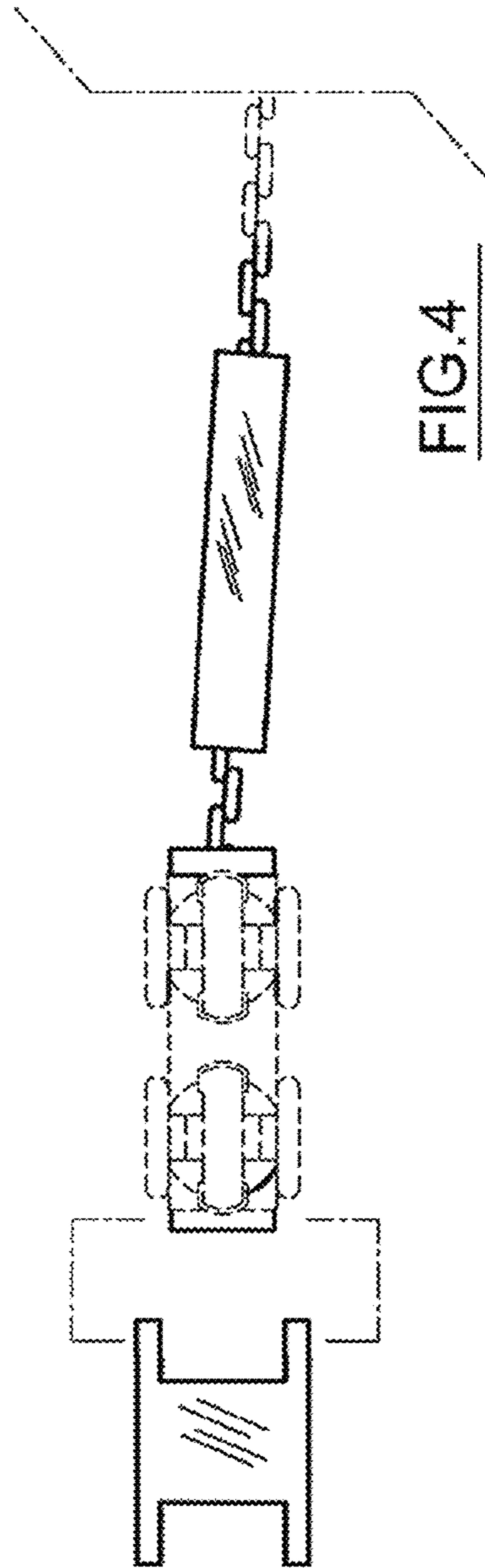


FIG.2



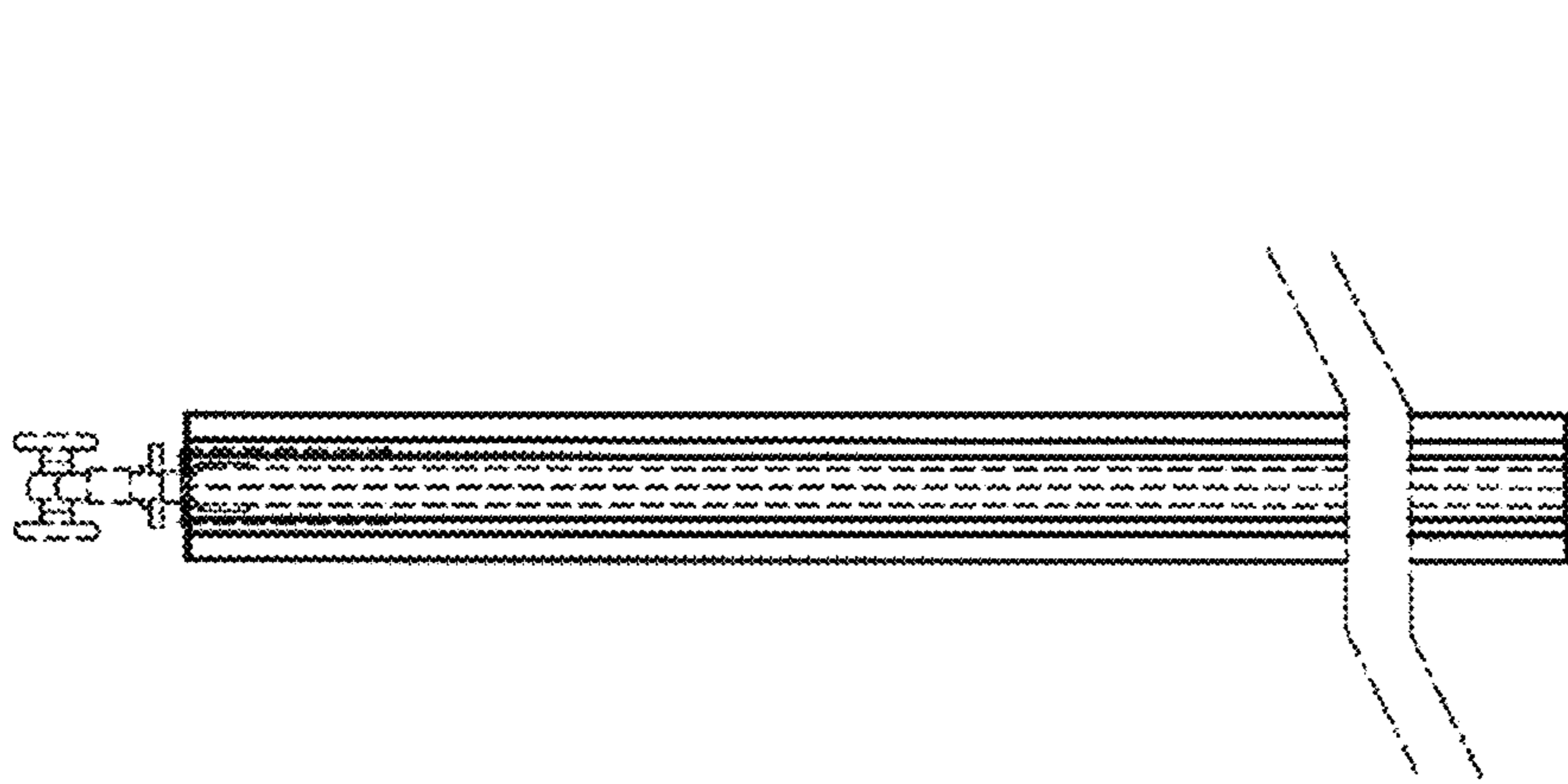


FIG. 6

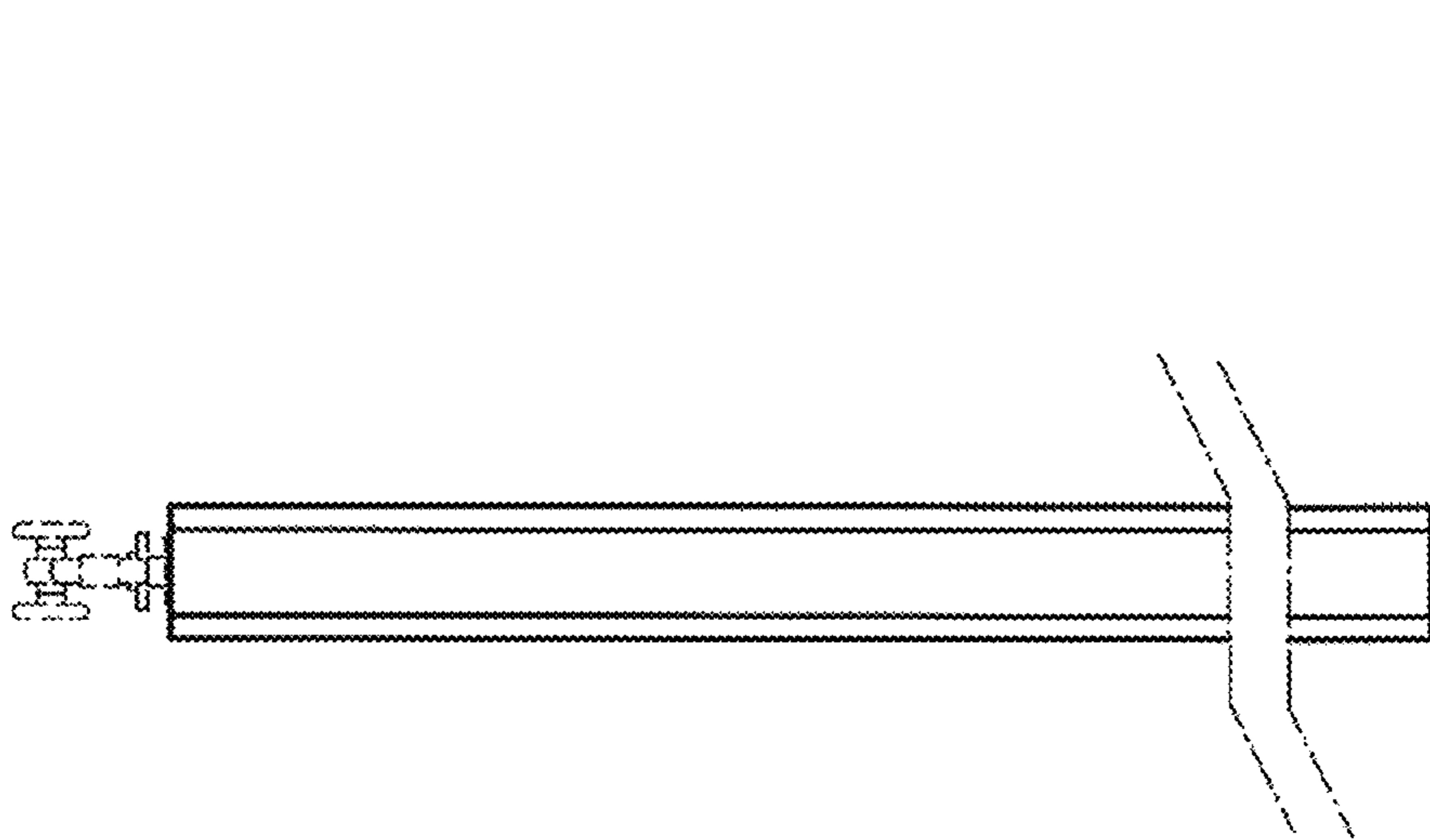


FIG. 5

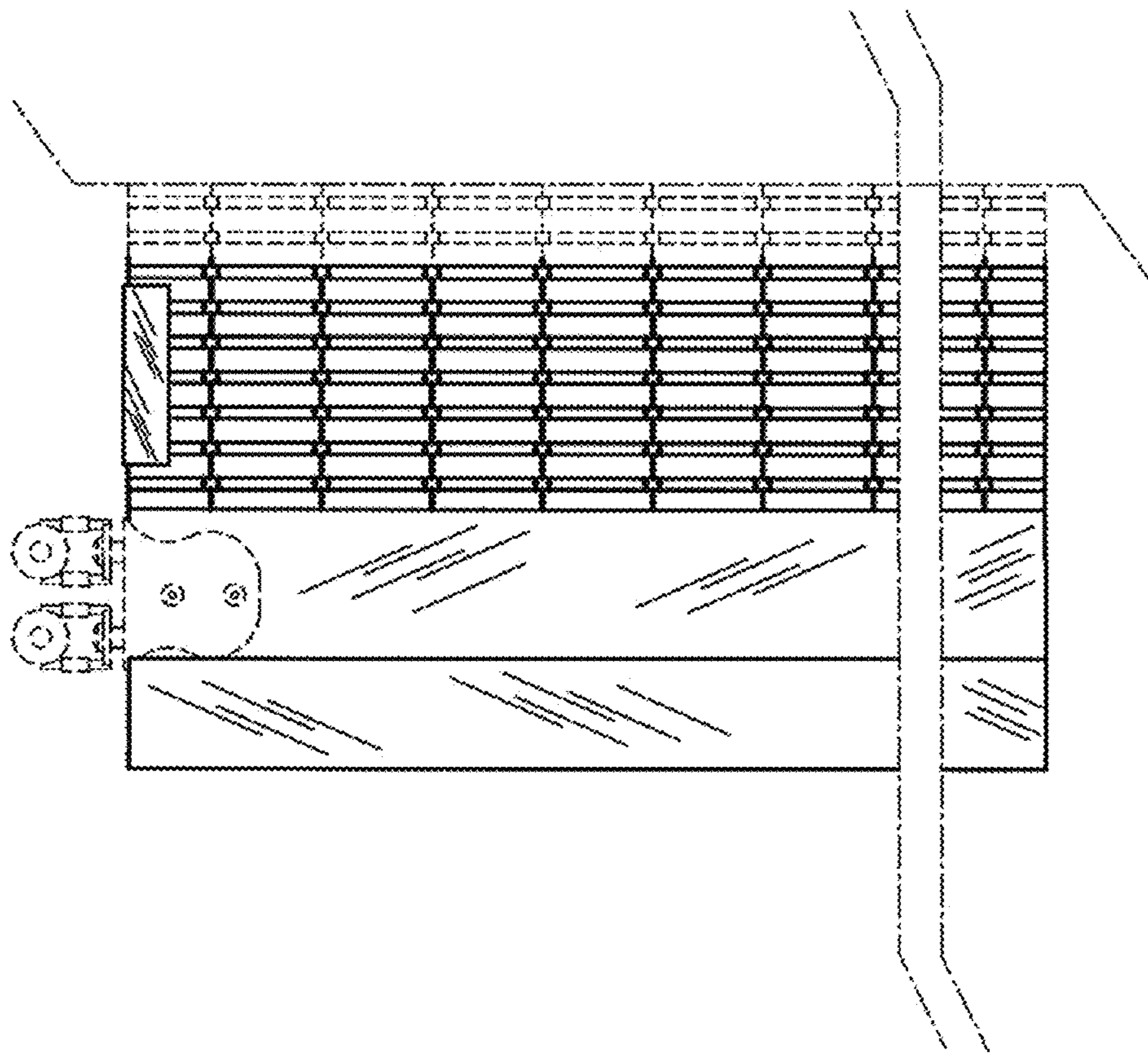


FIG.7

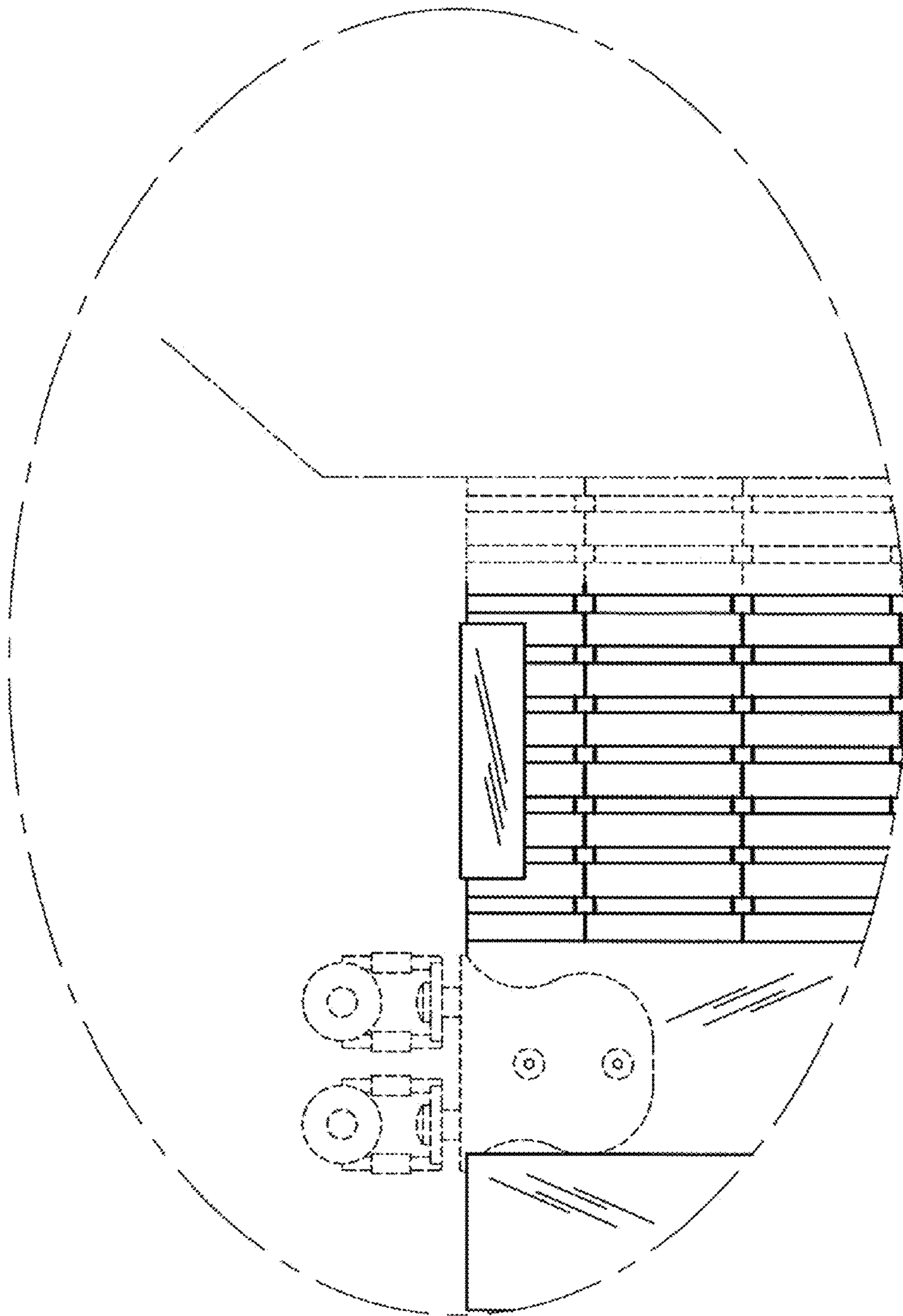


FIG. 8

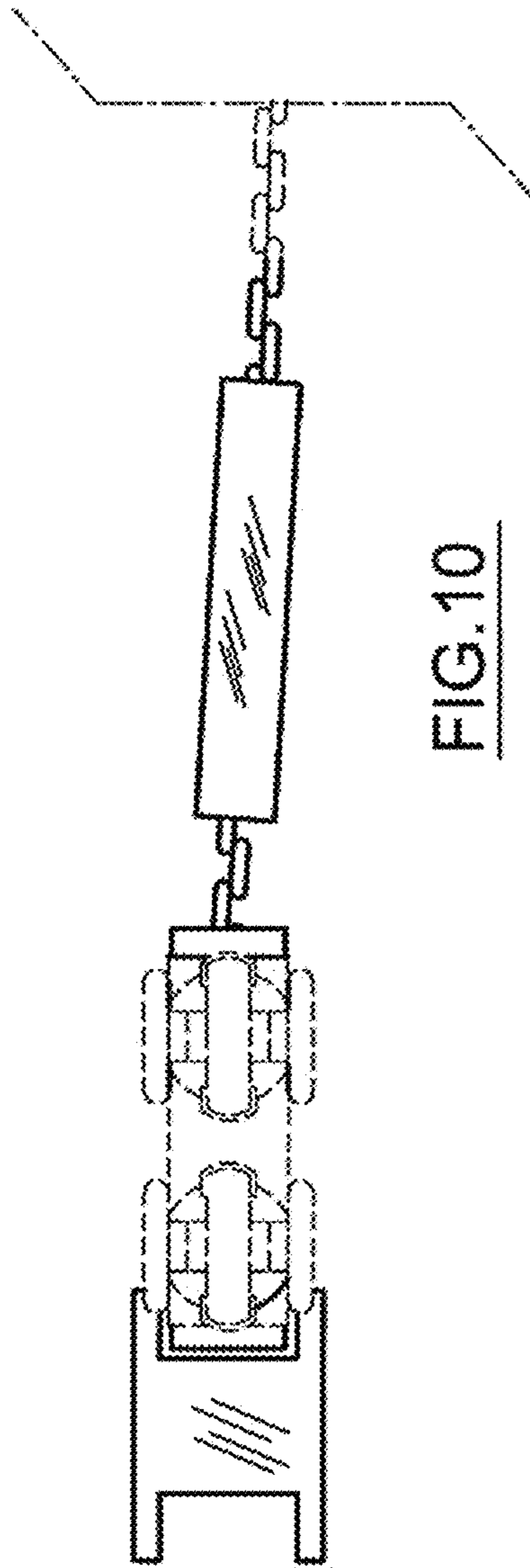


FIG. 10

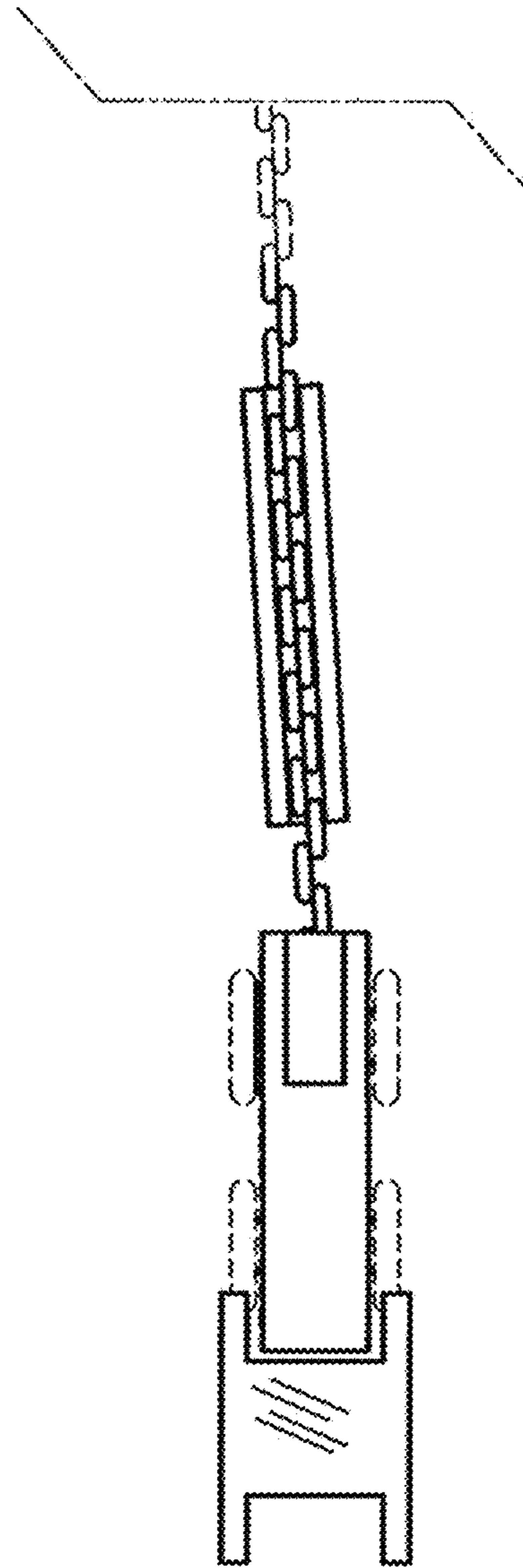


FIG. 9

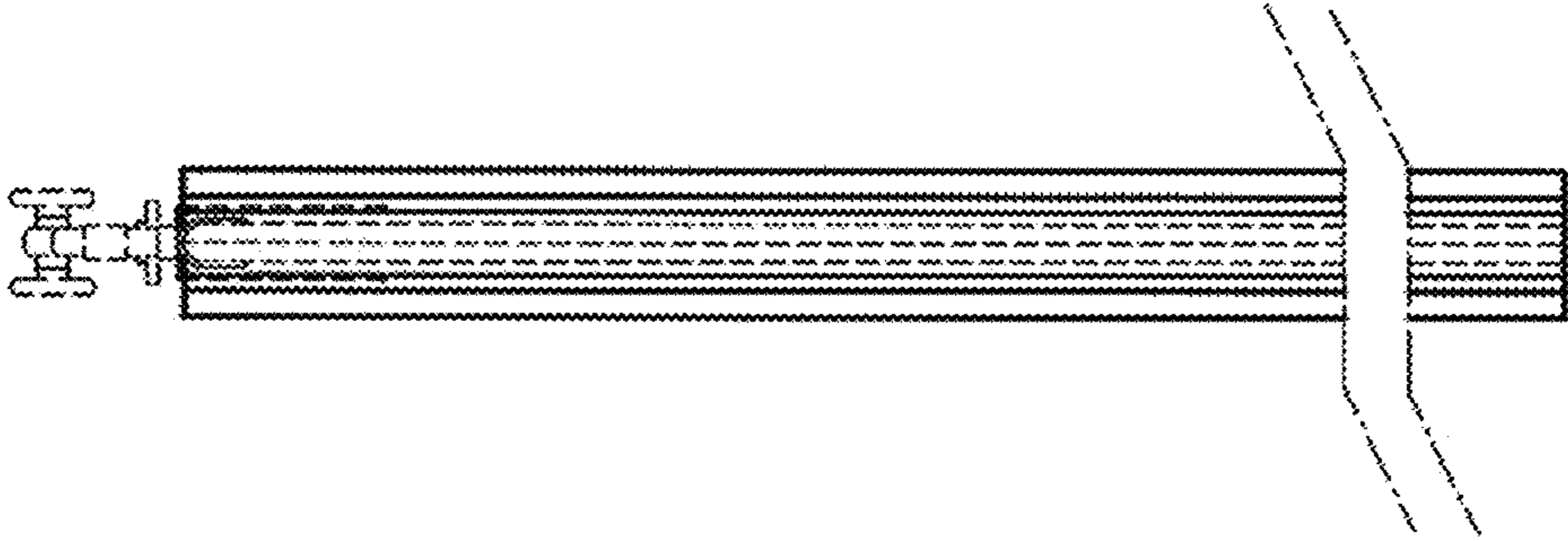


FIG.11

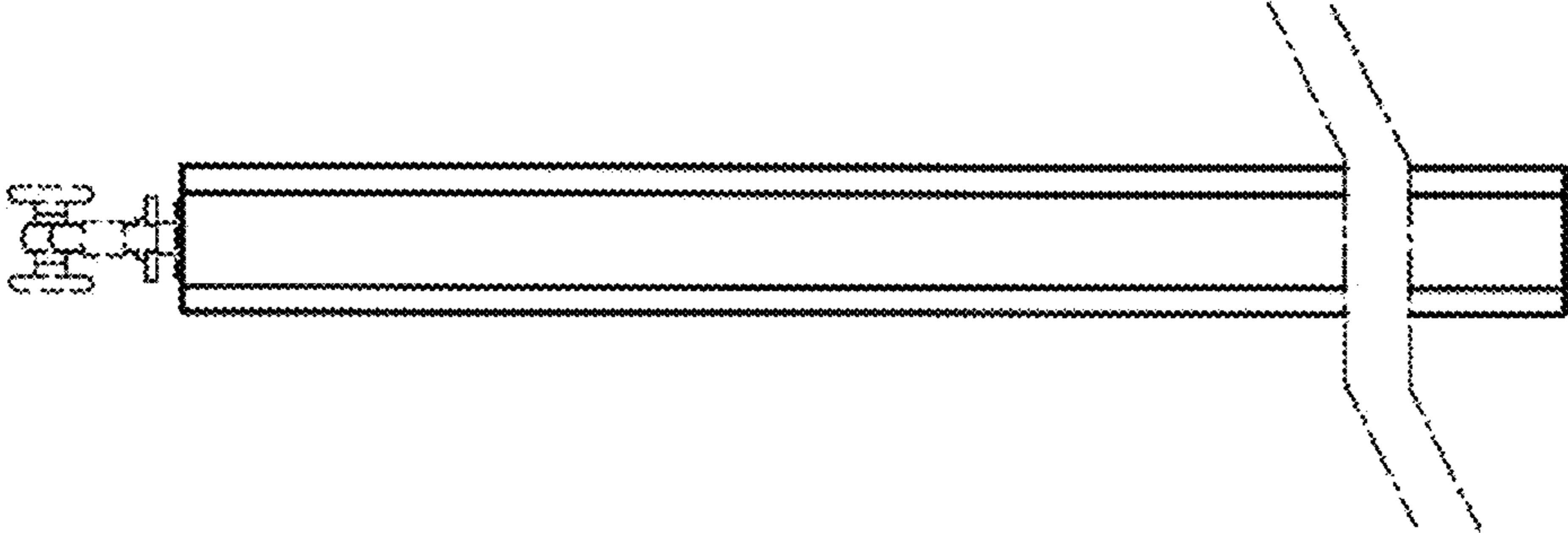


FIG.12