



US00D726333S

(12) **United States Design Patent**  
**Bogan**

(10) **Patent No.:** **US D726,333 S**  
(45) **Date of Patent:** **\*\* Apr. 7, 2015**

(54) **RESTROOM STRUCTURE**

(71) Applicant: **Romtec Utilities, Inc.**, Roseburg, OR  
(US)

(72) Inventor: **Timothy D. Bogan**, Roseburg, OR (US)

(73) Assignee: **Romtec Utilities, Inc.**, Roseburg, OR  
(US)

(\*\*) Term: **14 Years**

(21) Appl. No.: **29/453,799**

(22) Filed: **May 2, 2013**

(51) **LOC (10) Cl.** ..... **25-03**

(52) **U.S. Cl.**  
USPC ..... **D25/16**

(58) **Field of Classification Search**  
USPC ..... D25/1, 16, 17, 18, 33; 52/79.1, 79.4;  
4/300, 449, 460, 462, 476-477  
See application file for complete search history.

(56) **References Cited**

**U.S. PATENT DOCUMENTS**

3,601,821	A *	8/1971	Corsiglia	4/300
D372,537	S *	8/1996	Loebertmann	D25/16
D384,751	S *	10/1997	Tagg	D25/16
D410,093	S *	5/1999	Stead	D25/16
D416,313	S *	11/1999	Foster	D23/299
6,615,414	B2 *	9/2003	Miller et al.	4/321
D541,428	S *	4/2007	Whalen	D25/18
D622,408	S	8/2010	Leonard	

D624,663	S *	9/2010	Christian	D25/16
D683,864	S *	6/2013	Taylor et al.	D25/16
2004/0177568	A1 *	9/2004	Hanks	52/79.1
2010/0186162	A1	7/2010	Leonard	

\* cited by examiner

*Primary Examiner* — Garth Rademaker

*Assistant Examiner* — Samantha Q Lawrence

(74) *Attorney, Agent, or Firm* — Klarquist Sparkman, LLP

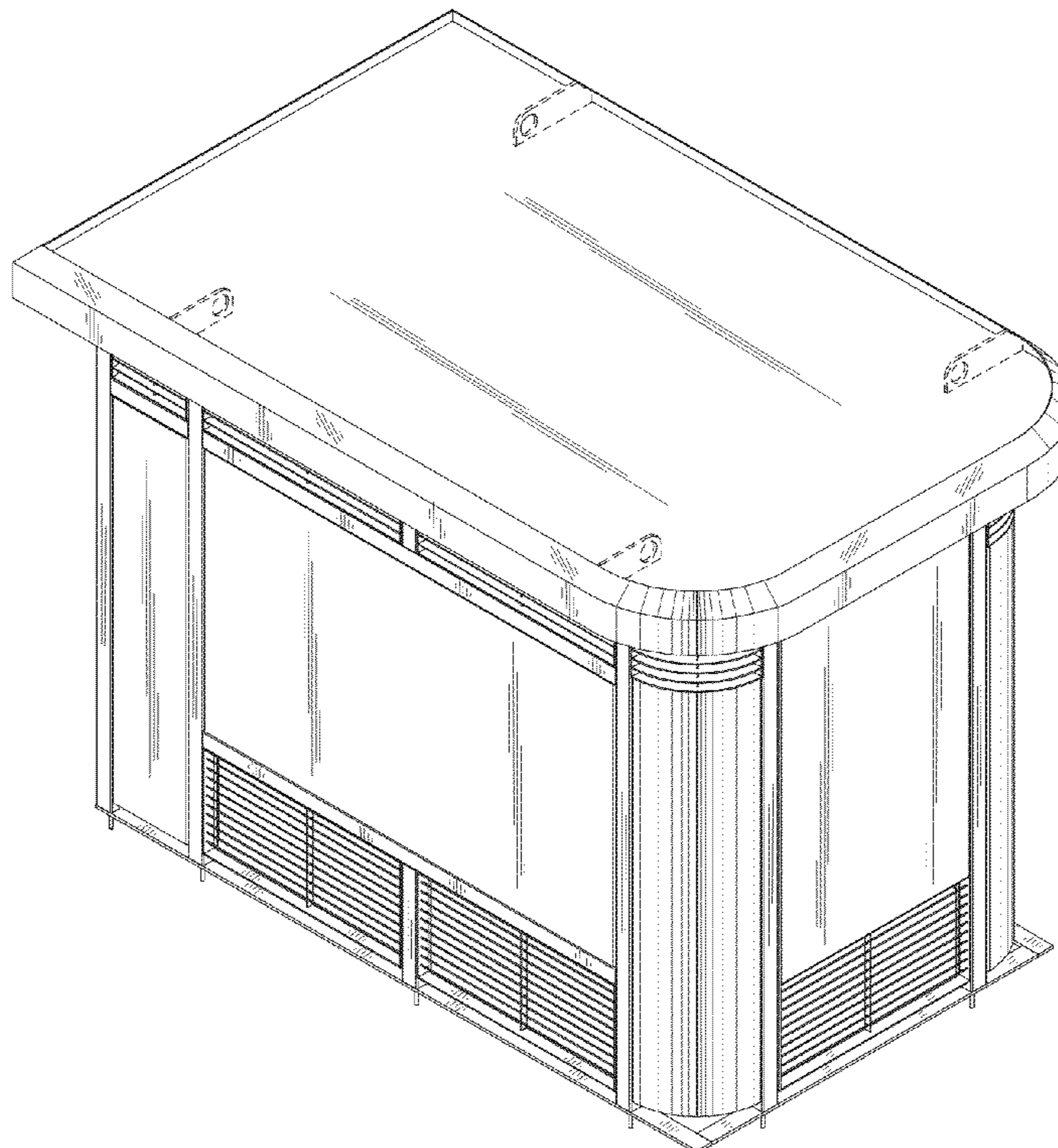
(57) **CLAIM**

I claim the ornamental design for a restroom structure, as shown and described.

**DESCRIPTION**

FIG. 1 is a first perspective view of a restroom structure. FIG. 2 is a second perspective view of the restroom structure. FIG. 3 is a left side elevation view of the restroom structure of FIG. 1. FIG. 4 is a right side elevation view of the restroom structure of FIG. 1. FIG. 5 is a front elevation view of the restroom structure of FIG. 1. FIG. 6 is a rear elevation view of the restroom structure of FIG. 1; and, FIG. 7 is a top plan view of the restroom structure of FIG. 1. The broken lines depicting the lifting lugs on the top of the restroom structure form no part of the claimed design.

**1 Claim, 4 Drawing Sheets**



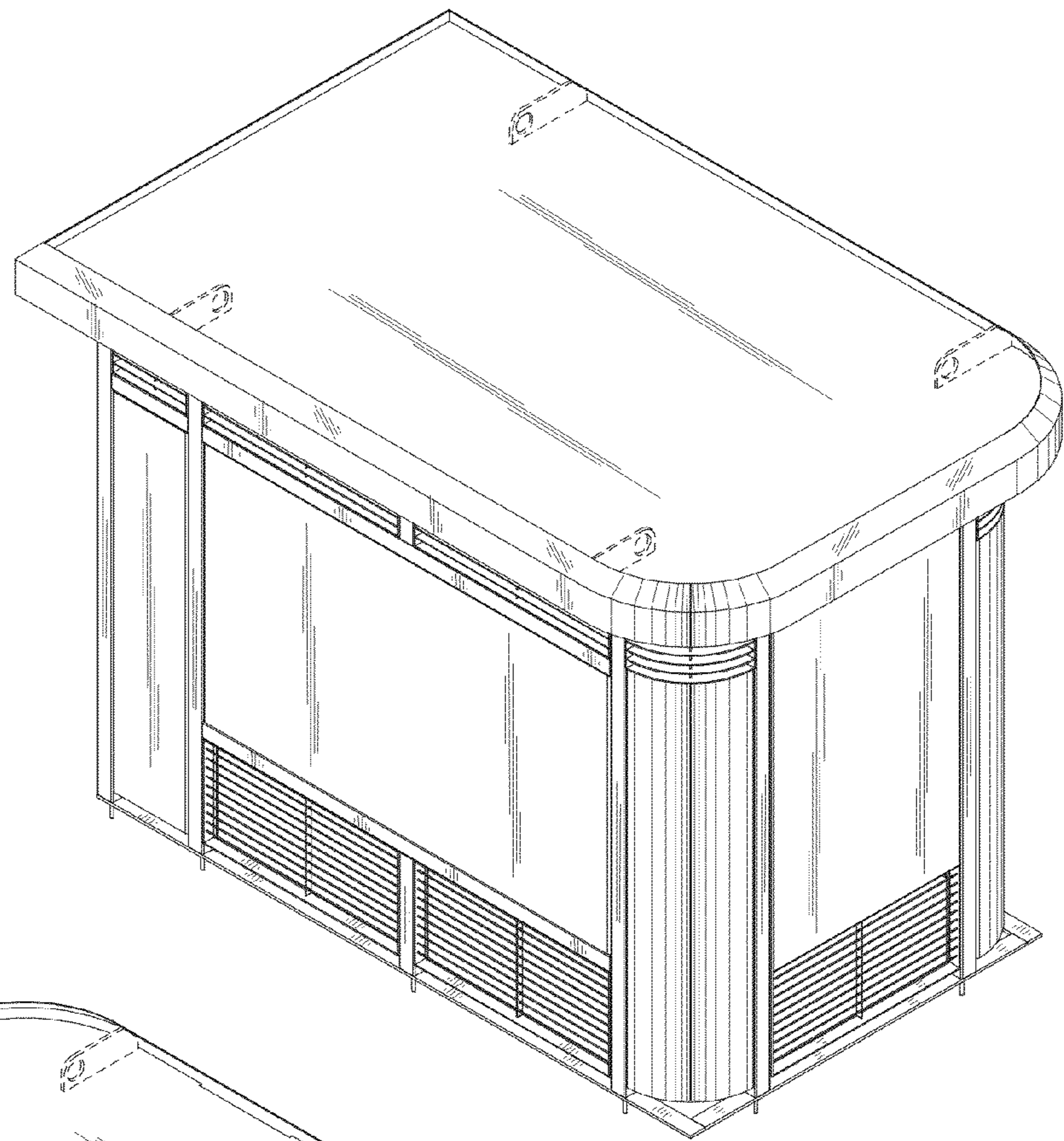


FIG. 1

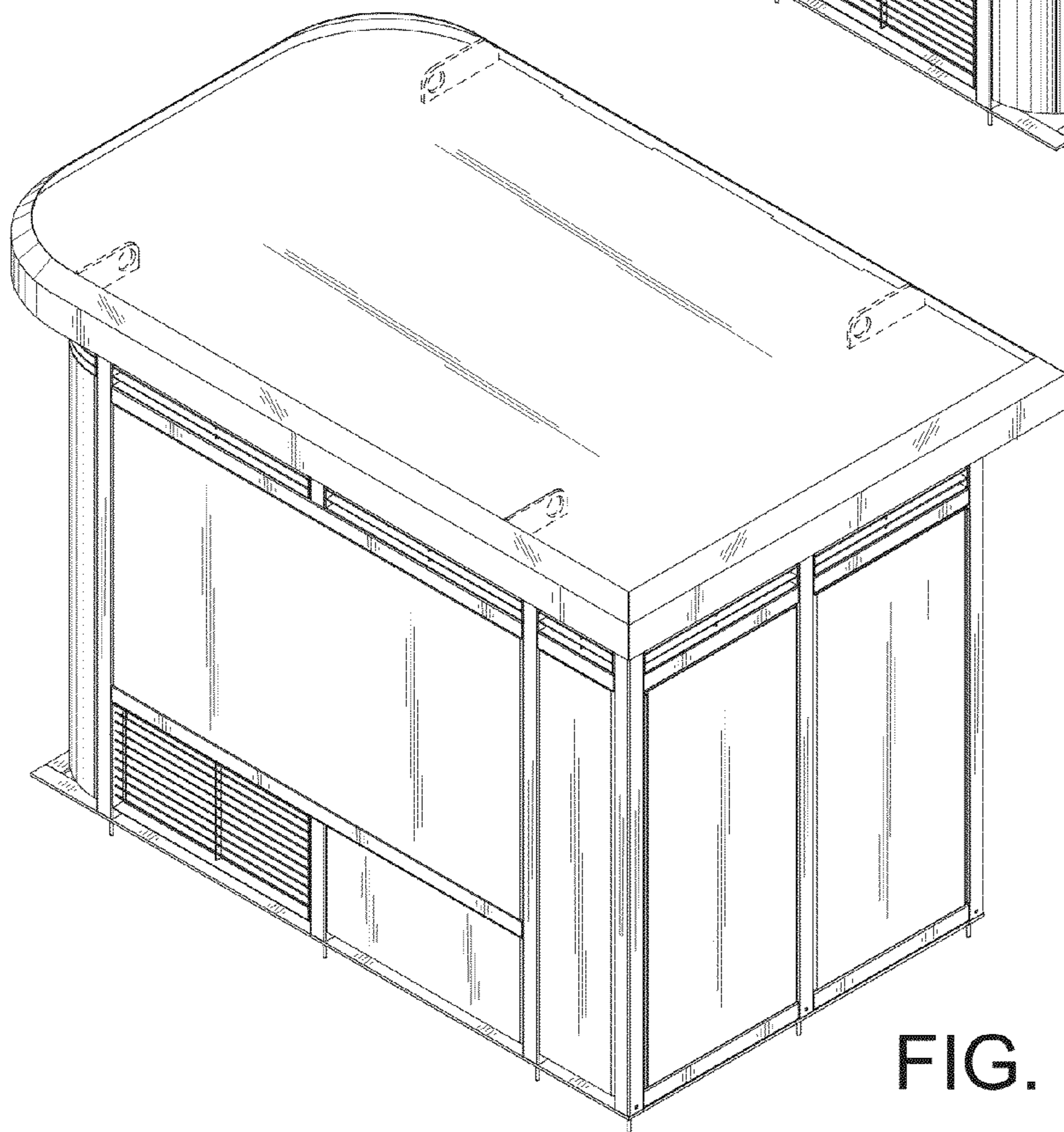


FIG. 2

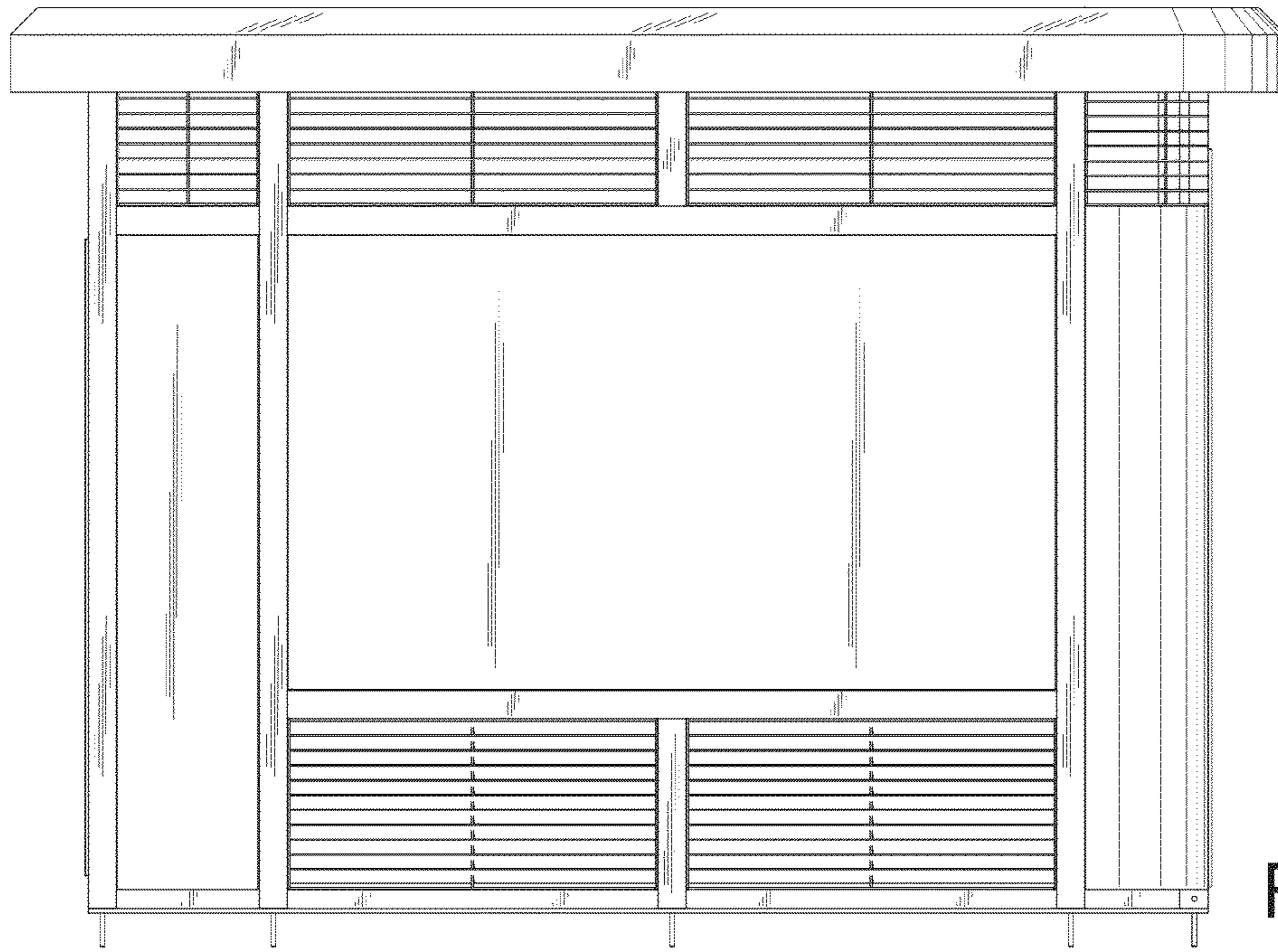


FIG. 3

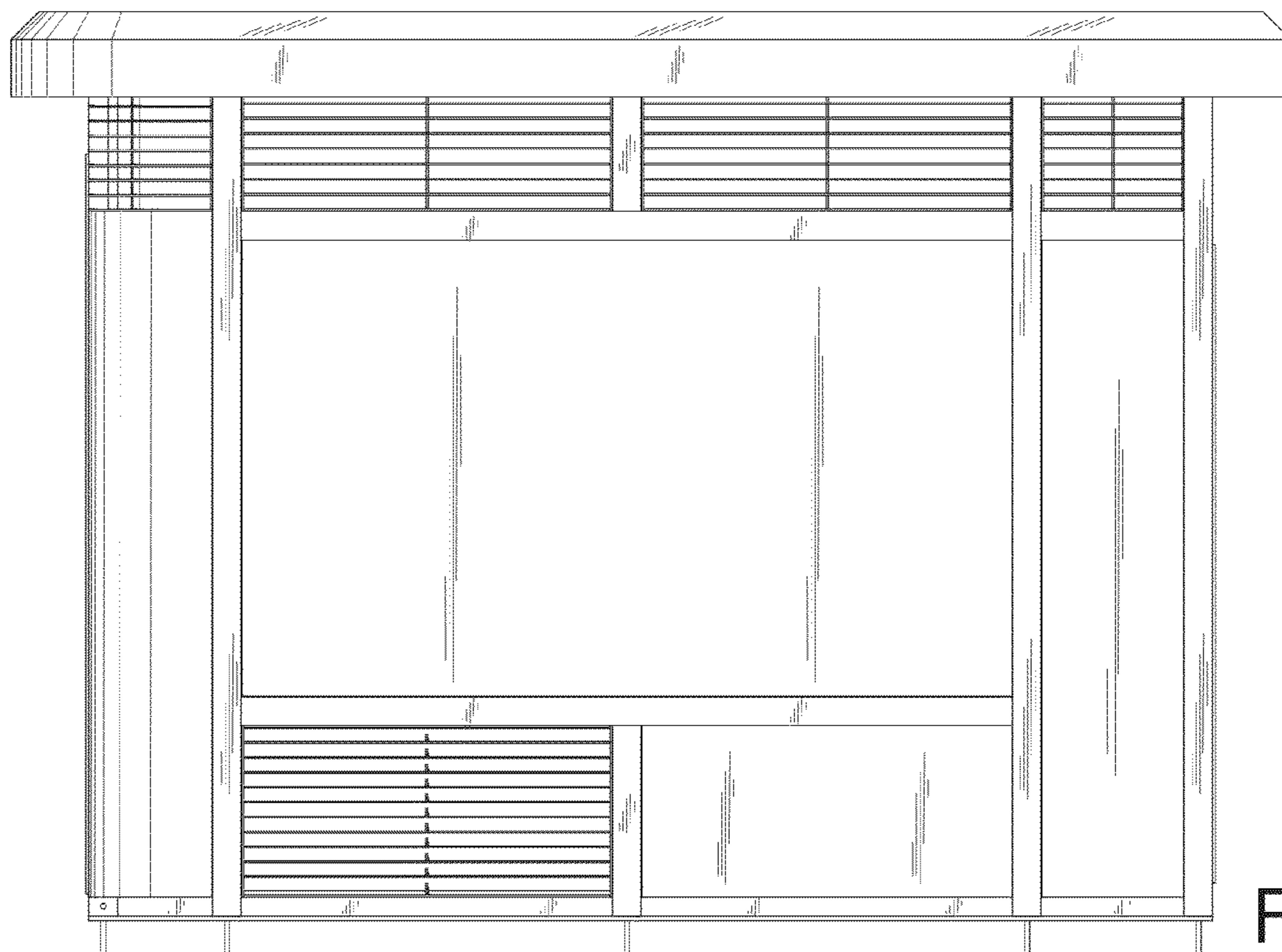


FIG. 4

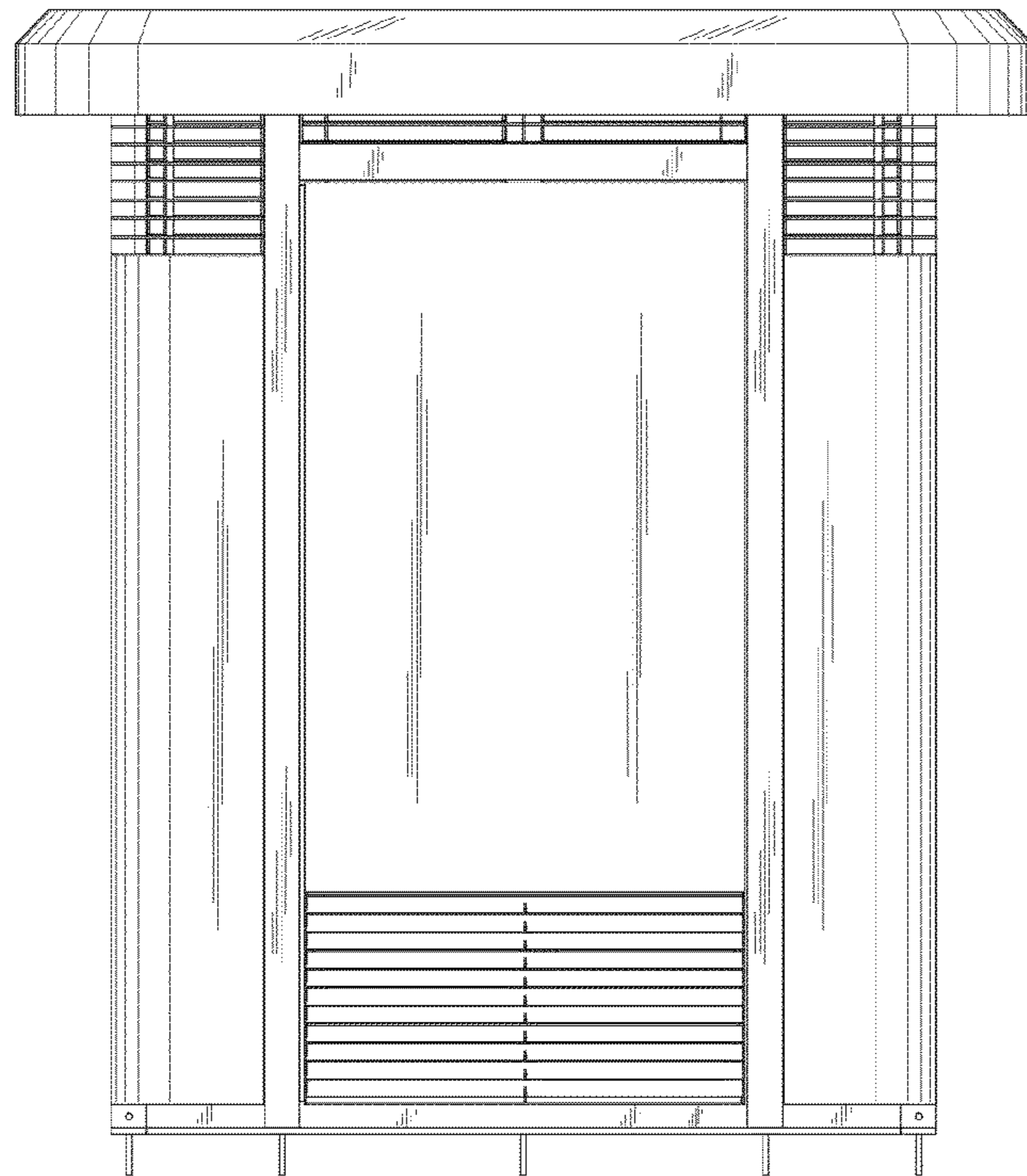


FIG. 5

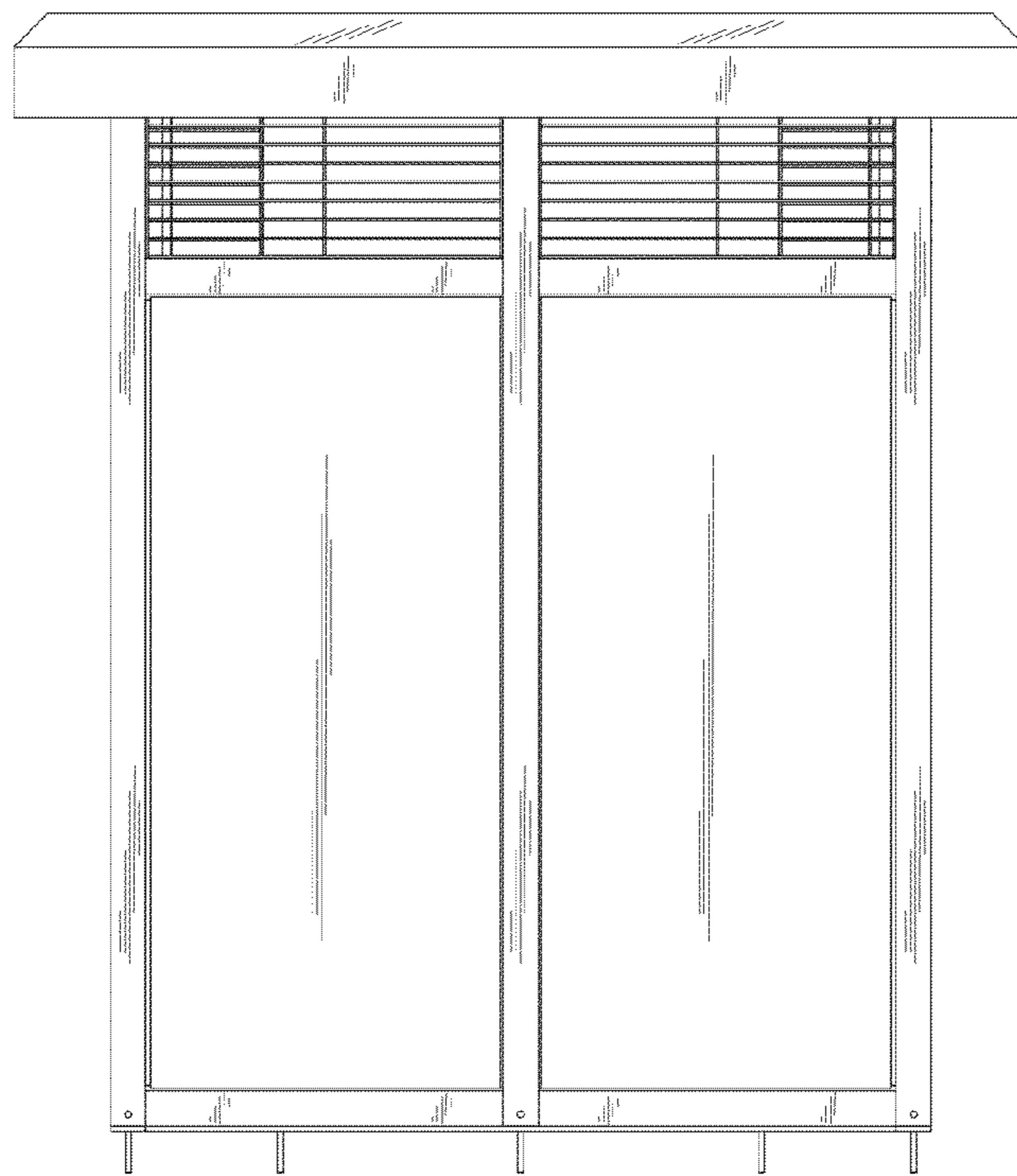


FIG. 6

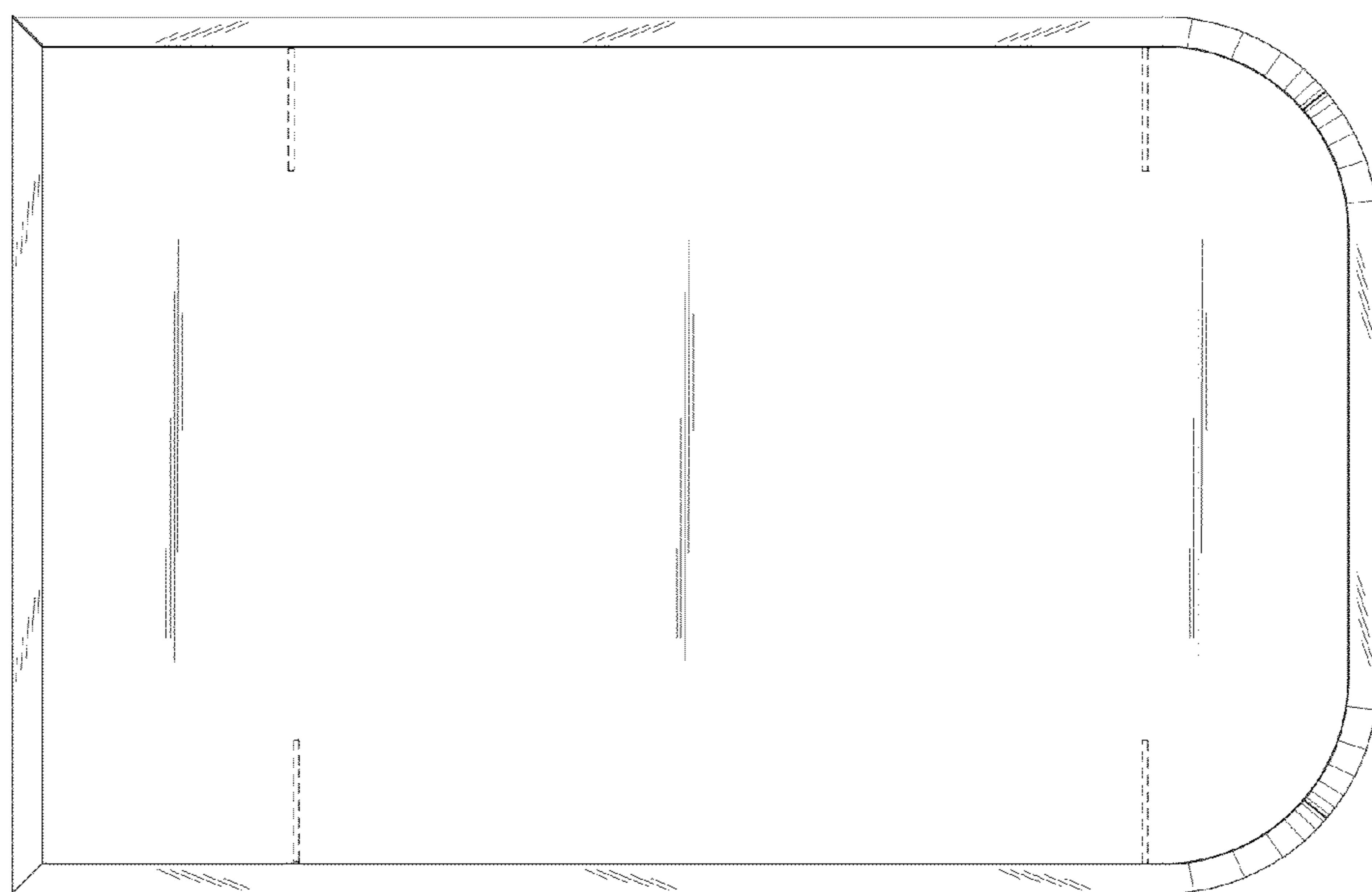


FIG. 7