



US00D726332S

(12) **United States Design Patent**  
**Barbosa**

(10) **Patent No.:** **US D726,332 S**  
(45) **Date of Patent:** **\*\* Apr. 7, 2015**

(54) **BOOTH FOR BANK EQUIPMENT**  
(75) Inventor: **Thais Passarella Barbosa**, Sao Paulo (BR)  
(73) Assignee: **Tecnologia Bancaria S.A.** (BR)  
(\*\*) Term: **14 Years**  
(21) Appl. No.: **29/429,192**  
(22) Filed: **Aug. 8, 2012**

(30) **Foreign Application Priority Data**

Feb. 8, 2012 (BR) ..... 3020120005221

(51) **LOC (10) Cl.** ..... **25-03**

(52) **U.S. Cl.**  
USPC ..... **D25/16**

(58) **Field of Classification Search**  
USPC ..... D25/1-35; 52/36.1, 79.1-79.6, 169.6, 52/80.1, 80.2, 90.1, 90.2, 91.1, 91.2, 91.3, 52/92.1-92.3, 93.1, 93.2  
See application file for complete search history.

(56) **References Cited**

**U.S. PATENT DOCUMENTS**

|           |    |   |        |                  |       |         |
|-----------|----|---|--------|------------------|-------|---------|
| D169,635  | S  | * | 5/1953 | Richards         | ..... | D25/68  |
| D169,636  | S  | * | 5/1953 | Richards         | ..... | D25/68  |
| D169,637  | S  | * | 5/1953 | Richards         | ..... | D25/68  |
| 3,871,146 | A  | * | 3/1975 | Hamy             | ..... | 52/79.7 |
| 3,905,167 | A  | * | 9/1975 | Watkins et al.   | ..... | 52/79.4 |
| D245,706  | S  | * | 9/1977 | McAllister       | ..... | D25/16  |
| D248,776  | S  | * | 8/1978 | Kinnebrew, IV    | ..... | D25/18  |
| D285,005  | S  | * | 8/1986 | Italiane         | ..... | D25/16  |
| D324,873  | S  | * | 3/1992 | Thayer           | ..... | D16/215 |
| D371,206  | S  | * | 6/1996 | Priestley et al. | ..... | D25/16  |
| 5,533,305 | A  | * | 7/1996 | Bielecki         | ..... | 52/79.1 |
| D487,807  | S  | * | 3/2004 | Graham           | ..... | D25/33  |
| 7,377,425 | B1 | * | 5/2008 | Ma et al.        | ..... | 235/379 |
| 7,413,118 | B2 | * | 8/2008 | Kim              | ..... | 235/379 |

|              |    |   |         |                        |       |         |
|--------------|----|---|---------|------------------------|-------|---------|
| D638,551     | S  | * | 5/2011  | Gann                   | ..... | D25/16  |
| D641,090     | S  | * | 7/2011  | Clark                  | ..... | D25/16  |
| 8,631,748    | B2 | * | 1/2014  | Tavares de Pinho       | ..... | 109/20  |
| 2002/0060124 | A1 | * | 5/2002  | Thompson               | ..... | 194/350 |
| 2009/0266005 | A1 | * | 10/2009 | Snel                   | ..... | 52/79.1 |
| 2010/0070341 | A1 | * | 3/2010  | Teles Da Silva et al.  | ..... | 705/10  |
| 2010/0070413 | A1 | * | 3/2010  | Teles Da Silva et al.  | ..... | 705/43  |
| 2010/0076893 | A1 | * | 3/2010  | Anselmo Pereira et al. | ...   | 705/71  |
| 2010/0170424 | A1 | * | 7/2010  | Pinho                  | ..... | 109/50  |
| 2013/0160682 | A1 | * | 6/2013  | Tavares de Pinho       | ..... | 109/36  |
| 2013/0185181 | A1 | * | 7/2013  | Rodrigues et al.       | ..... | 705/35  |
| 2013/0233211 | A1 | * | 9/2013  | Tavares de Pinho       | ..... | 109/51  |

\* cited by examiner

*Primary Examiner* — Garth Rademaker

*Assistant Examiner* — Samantha Q Lawrence

(74) *Attorney, Agent, or Firm* — Cantor Colburn LLP

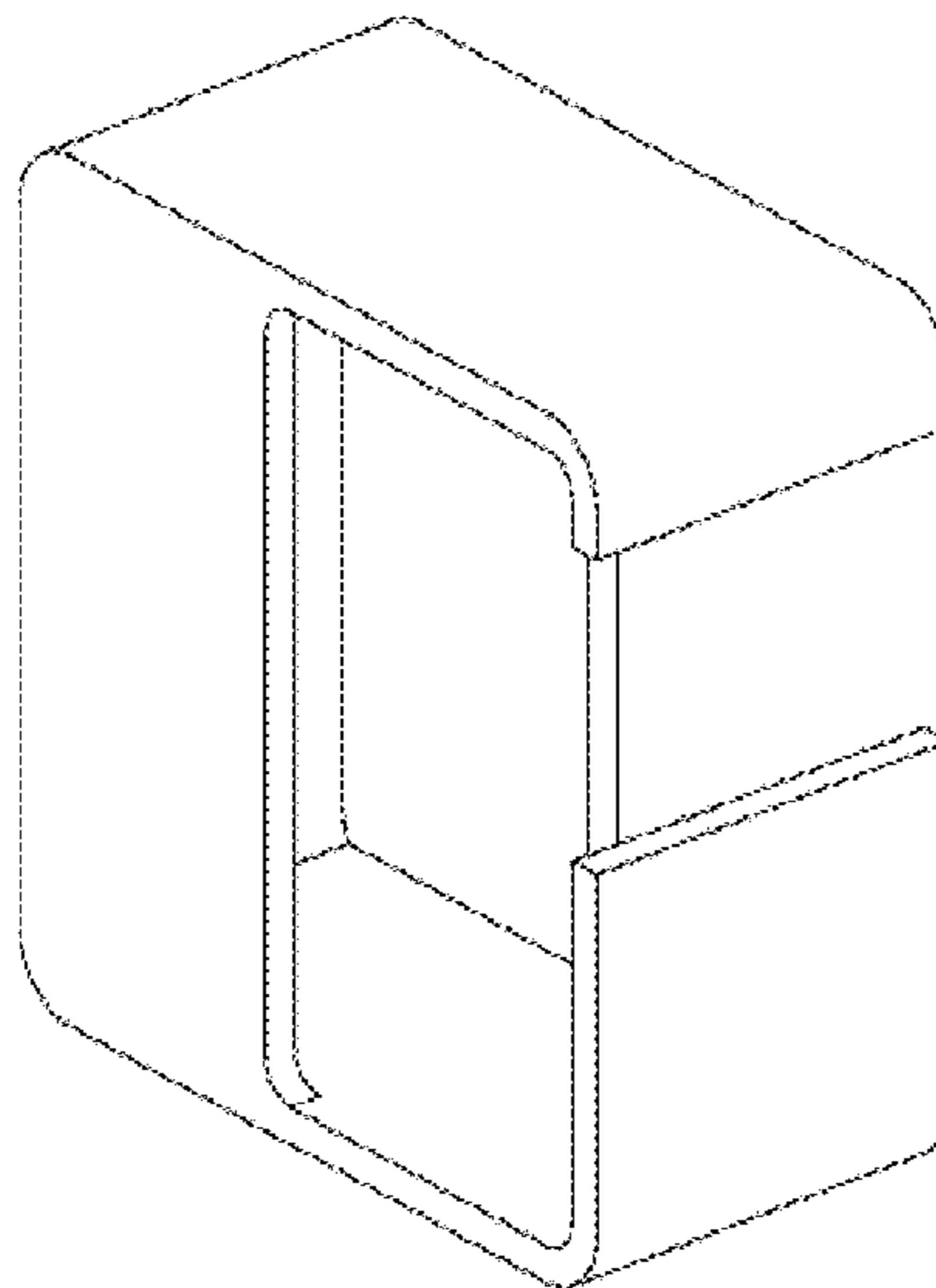
(57) **CLAIM**

I claim, the ornamental design for a booth for bank equipment, as shown and described.

**DESCRIPTION**

FIG. 1 is a perspective view of a booth for bank equipment, showing our new design in an exemplary embodiment; FIG. 2 is another perspective view of the embodiment shown in FIG. 1; FIG. 3 is a front elevation view of the embodiment shown in FIG. 1; FIG. 4 is a rear elevation view of the embodiment shown in FIG. 1; FIG. 5 is a side elevation view of the embodiment shown in FIG. 1; FIG. 6 is another side elevation view of the embodiment shown in FIG. 1; FIG. 7 is a top plan view of the embodiment shown in FIG. 1; and, FIG. 8 is bottom side plan view of the embodiment shown in FIG. 1.

**1 Claim, 6 Drawing Sheets**



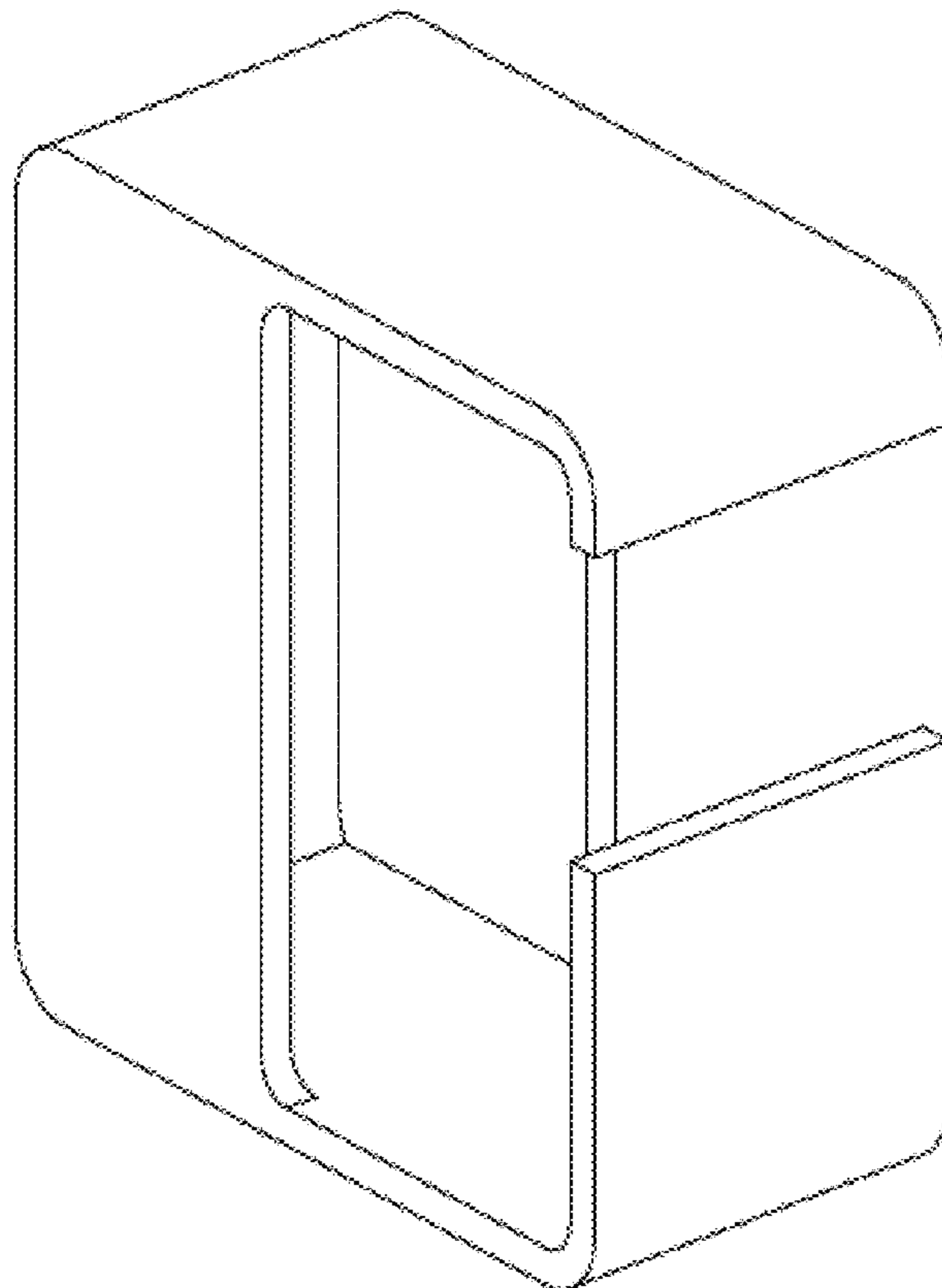


FIG.1

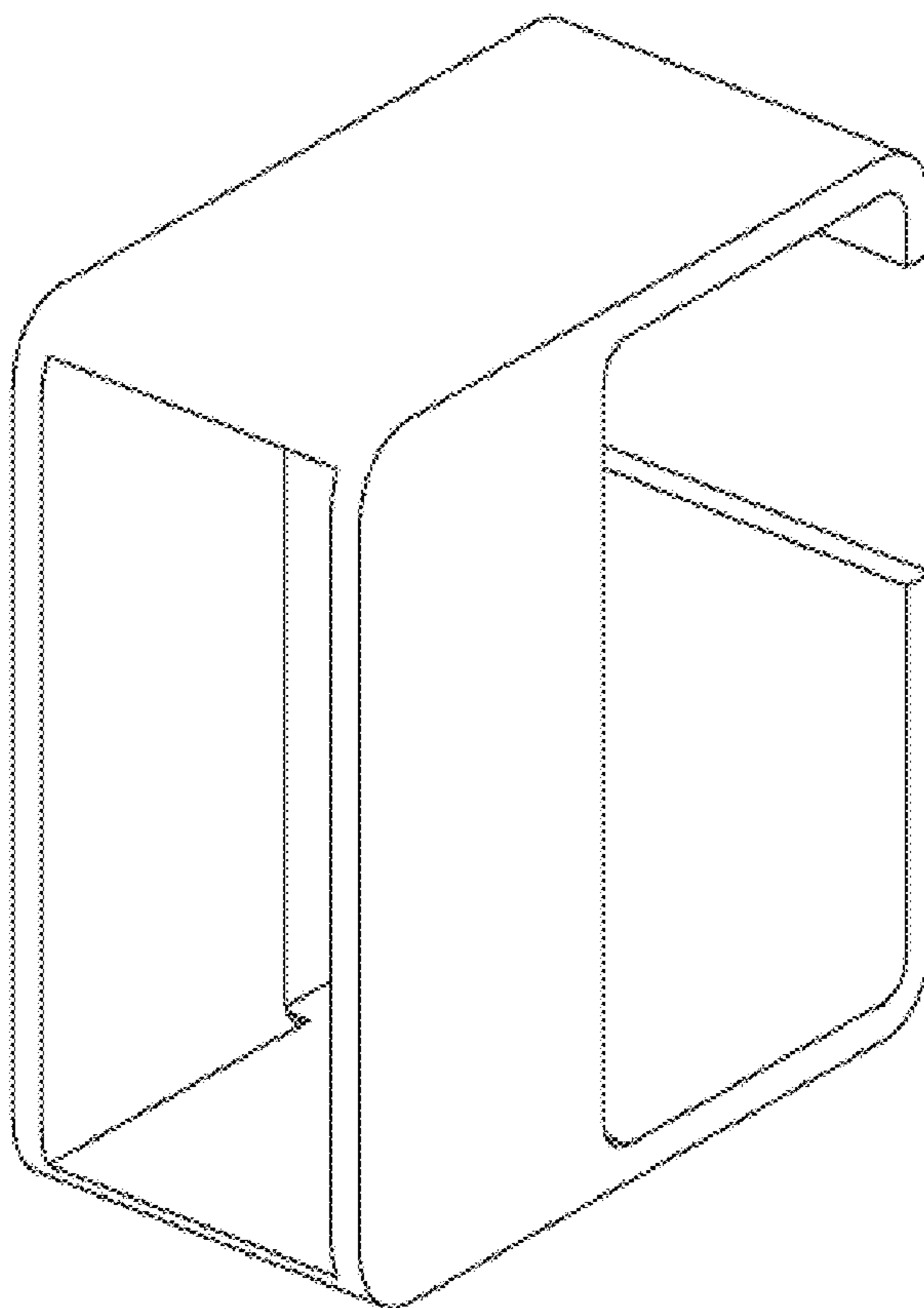


FIG. 2

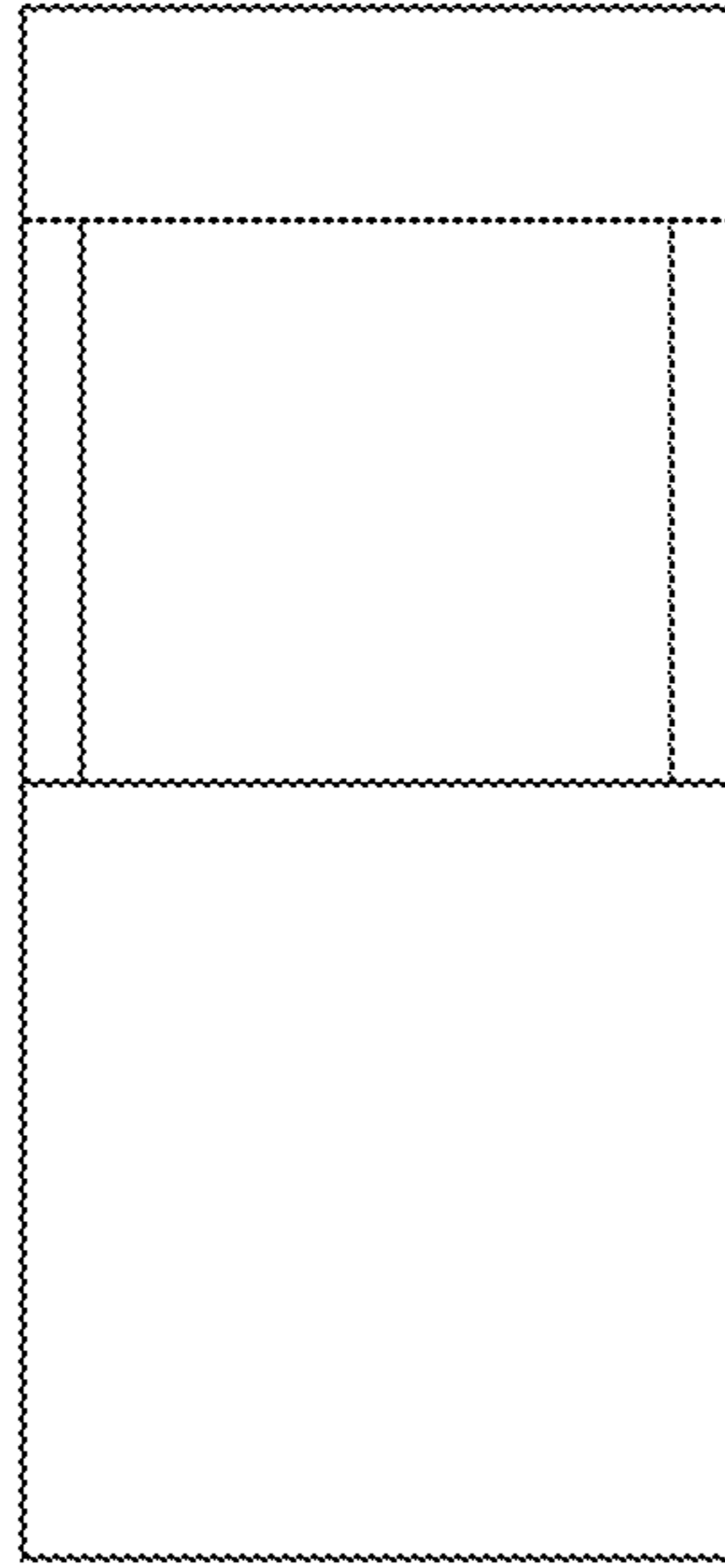


FIG.3

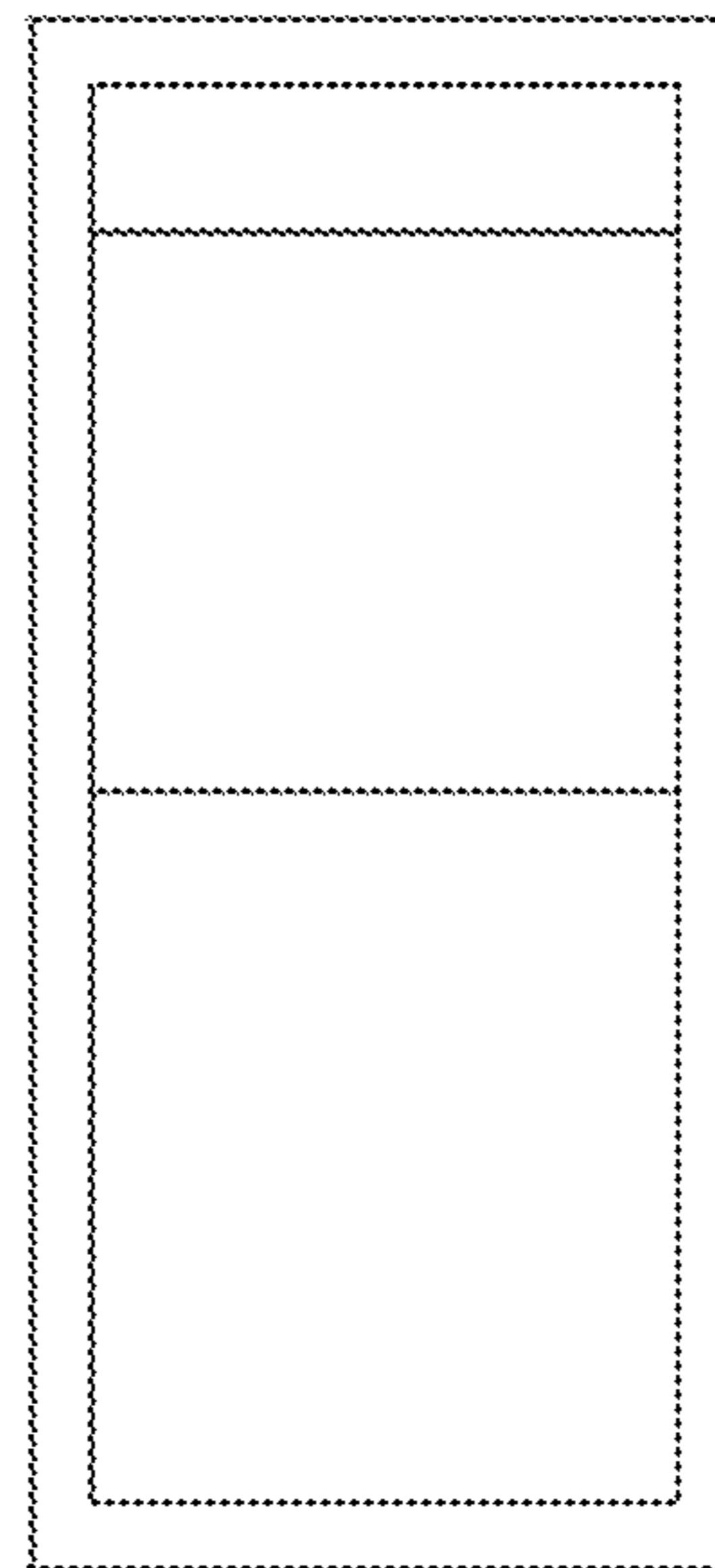


FIG.4

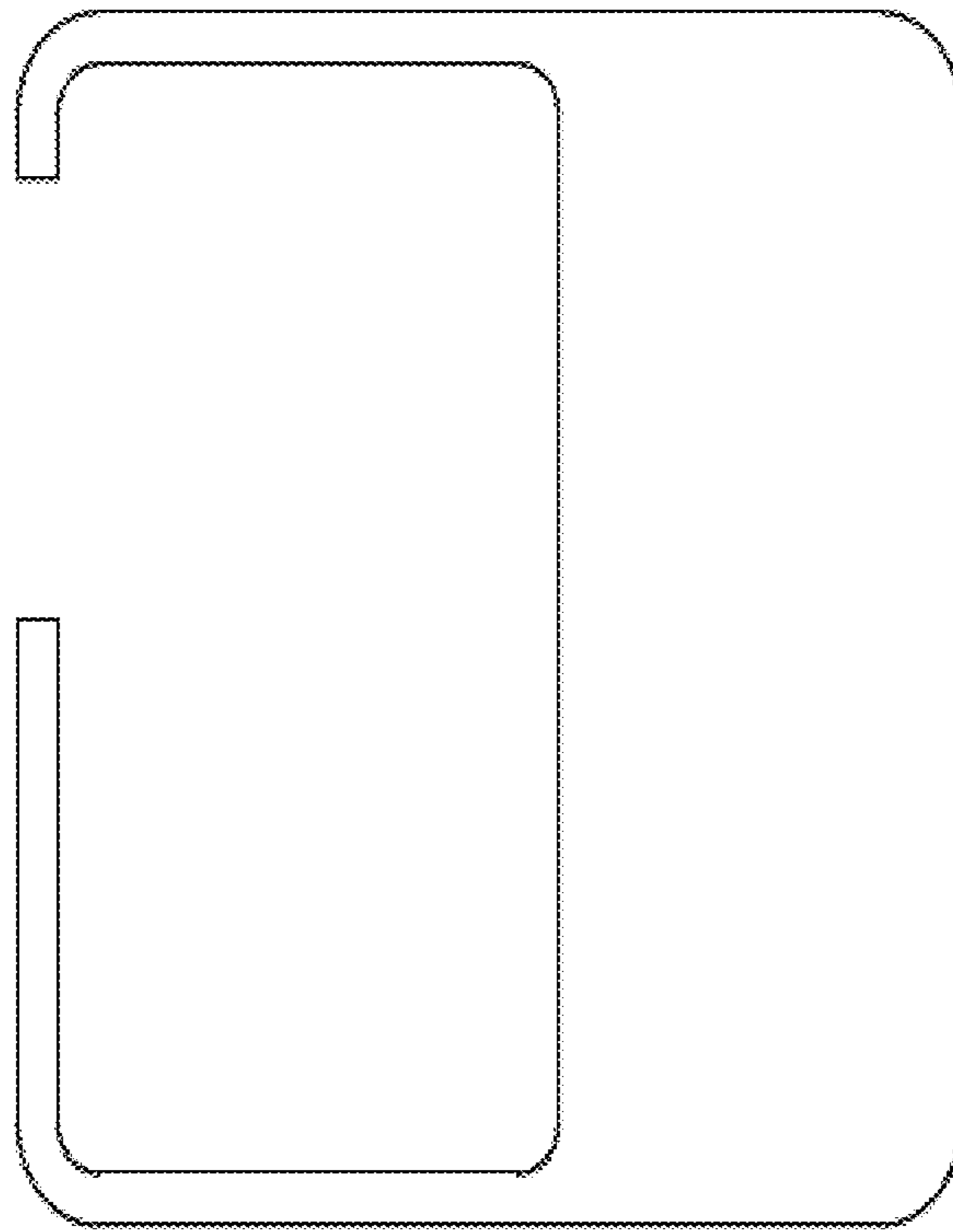


FIG.5

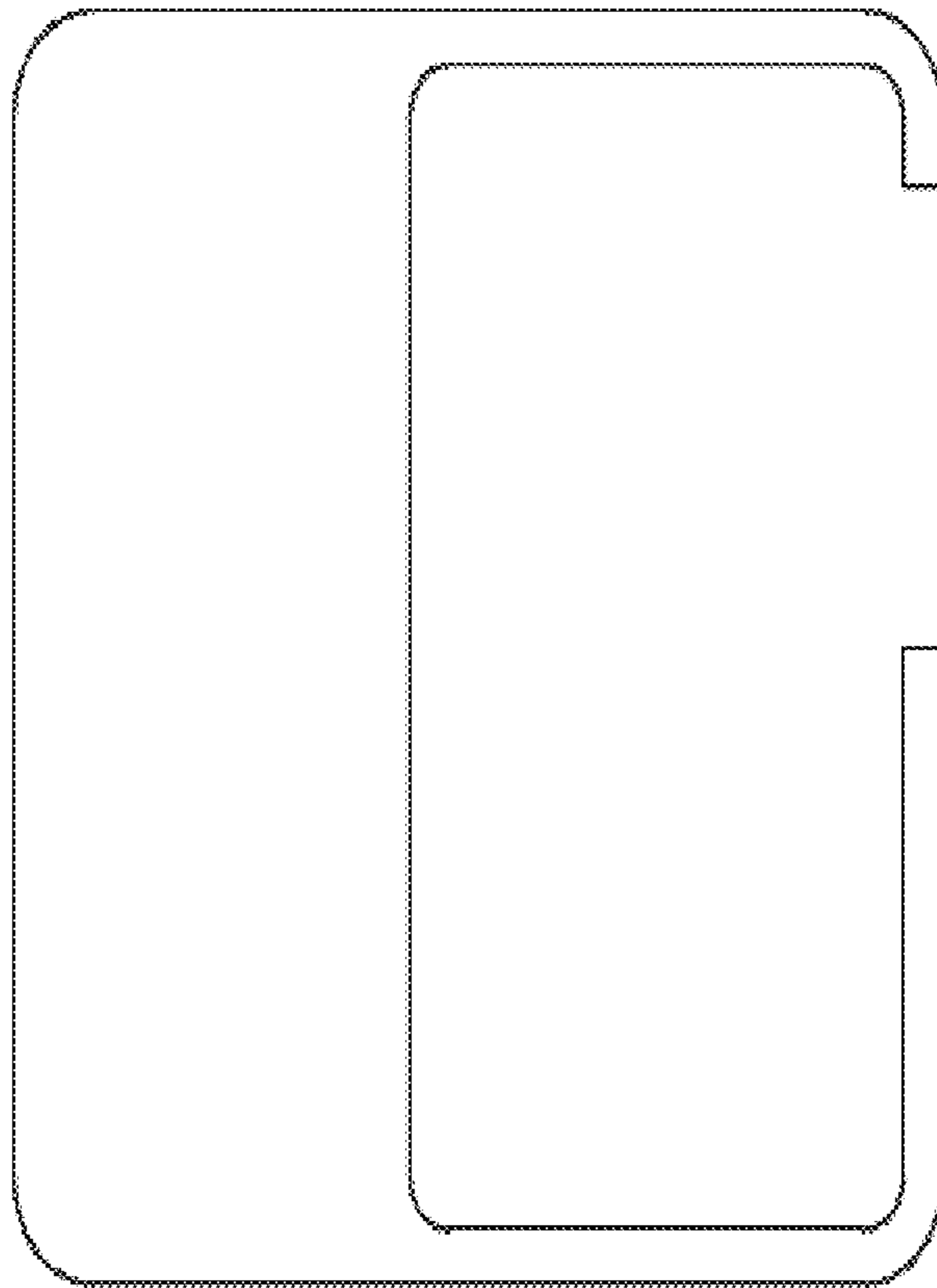


FIG.6

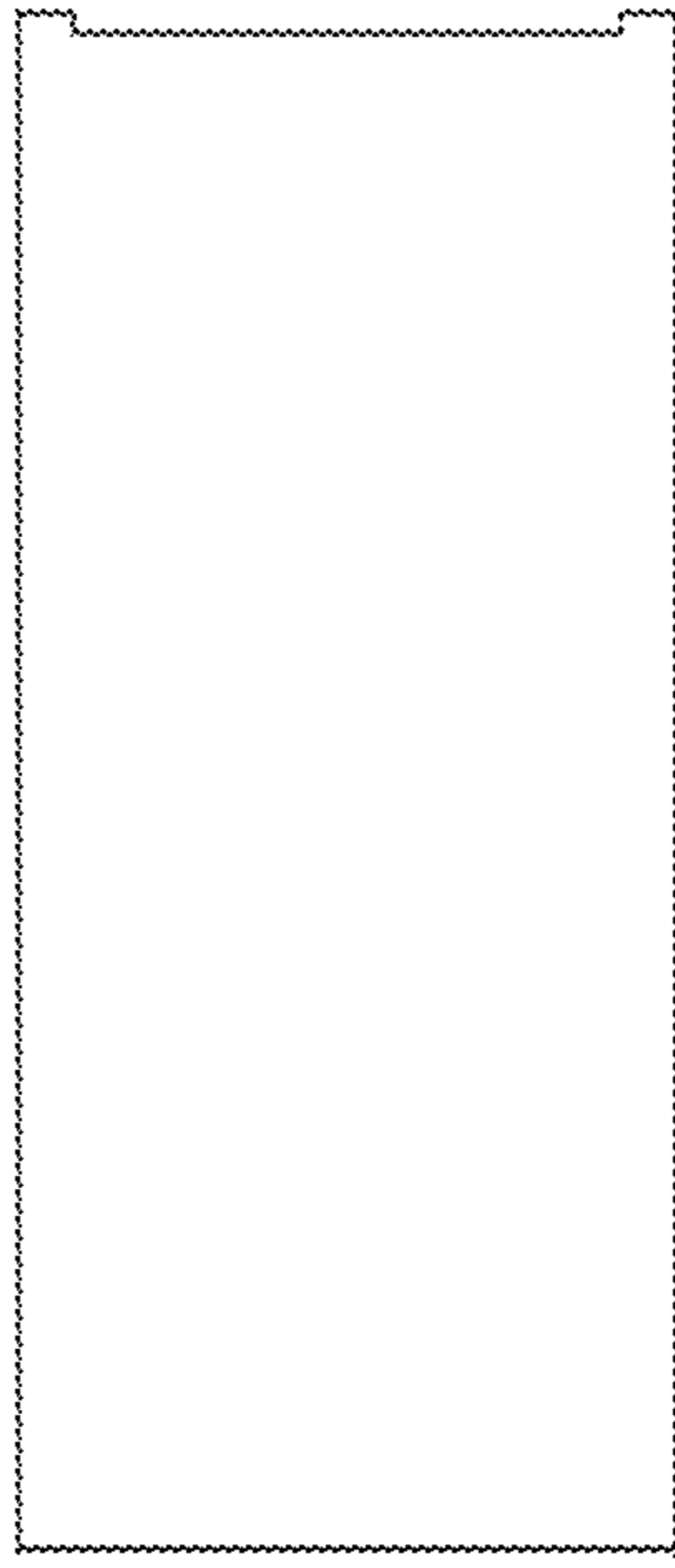


FIG. 7

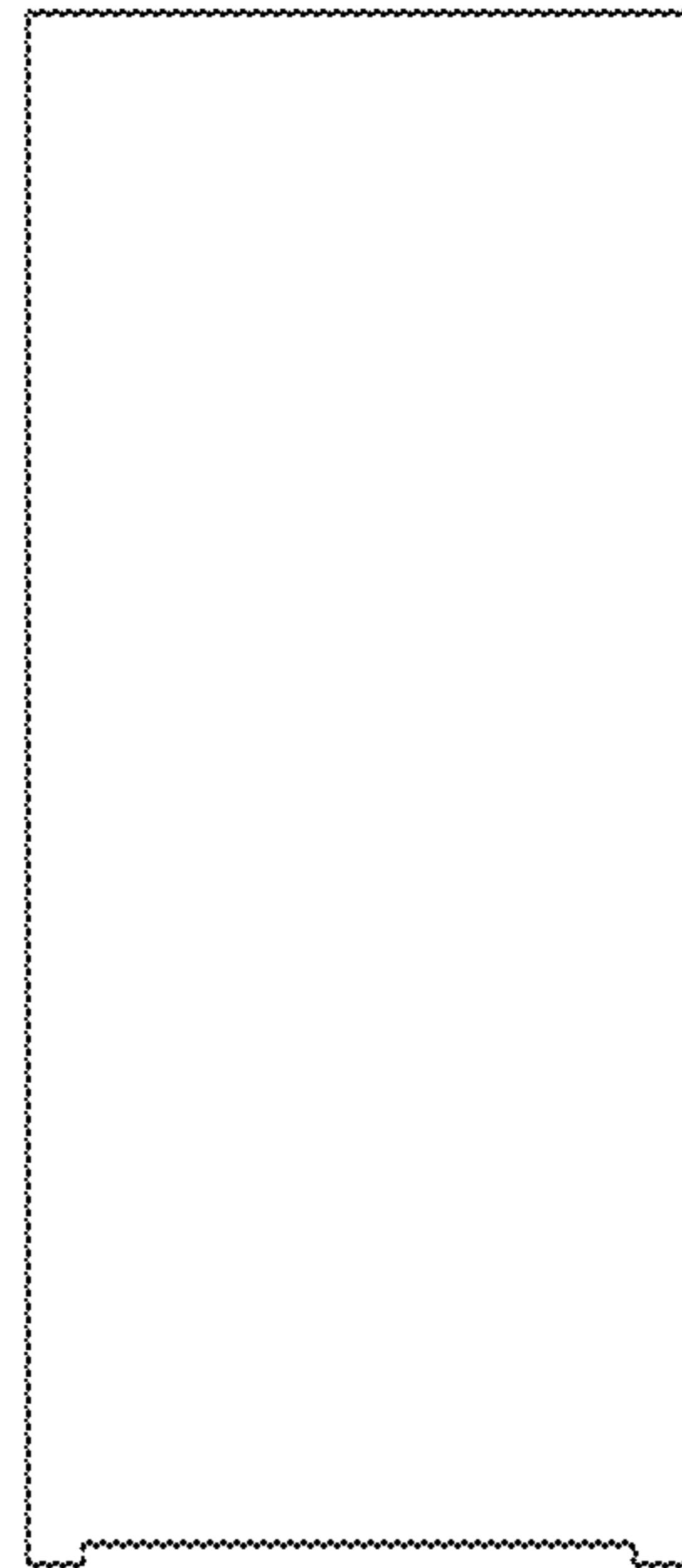


FIG. 8