



US00D726331S

(12) **United States Design Patent**  
**Cullimore et al.**

(10) **Patent No.:** **US D726,331 S**  
(45) **Date of Patent:** **\*\* Apr. 7, 2015**

(54) **BIOMASS GROWTH DEVICE**

(71) Applicants: **D. Roy Cullimore**, Regina (CA);  
**Charles Pellegrino**, New York, NY  
(US); **Mark Newman**, Port Jefferson,  
NY (US); **Lori Johnston**, Regina (CA)

(72) Inventors: **D. Roy Cullimore**, Regina (CA);  
**Charles Pellegrino**, New York, NY  
(US); **Mark Newman**, Port Jefferson,  
NY (US); **Lori Johnston**, Regina (CA)

(\*\*) Term: **14 Years**

(21) Appl. No.: **29/451,352**

(22) Filed: **Apr. 1, 2013**

(51) **LOC (10) Cl.** ..... **24-02**

(52) **U.S. Cl.**  
USPC ..... **D24/232**

(58) **Field of Classification Search**  
USPC ..... D24/216, 226–229, 232–234; D10/81;  
D23/207; 435/289.1, 291.3, 293.1,  
435/294.1, 297.1  
See application file for complete search history.

(56) **References Cited**

**U.S. PATENT DOCUMENTS**

D221,220 S \* 7/1971 Emmitt ..... D24/227  
D290,510 S \* 6/1987 Malavarca et al. .... D24/226

8,303,902 B2 \* 11/2012 Kim ..... 435/289.1  
2010/0203596 A1 \* 8/2010 Kim ..... 435/289.1  
2014/0315291 A1 \* 10/2014 Higgs et al. .... 435/289.1

\* cited by examiner

*Primary Examiner* — Wan Laymon

(74) *Attorney, Agent, or Firm* — Rodgers & Rodgers

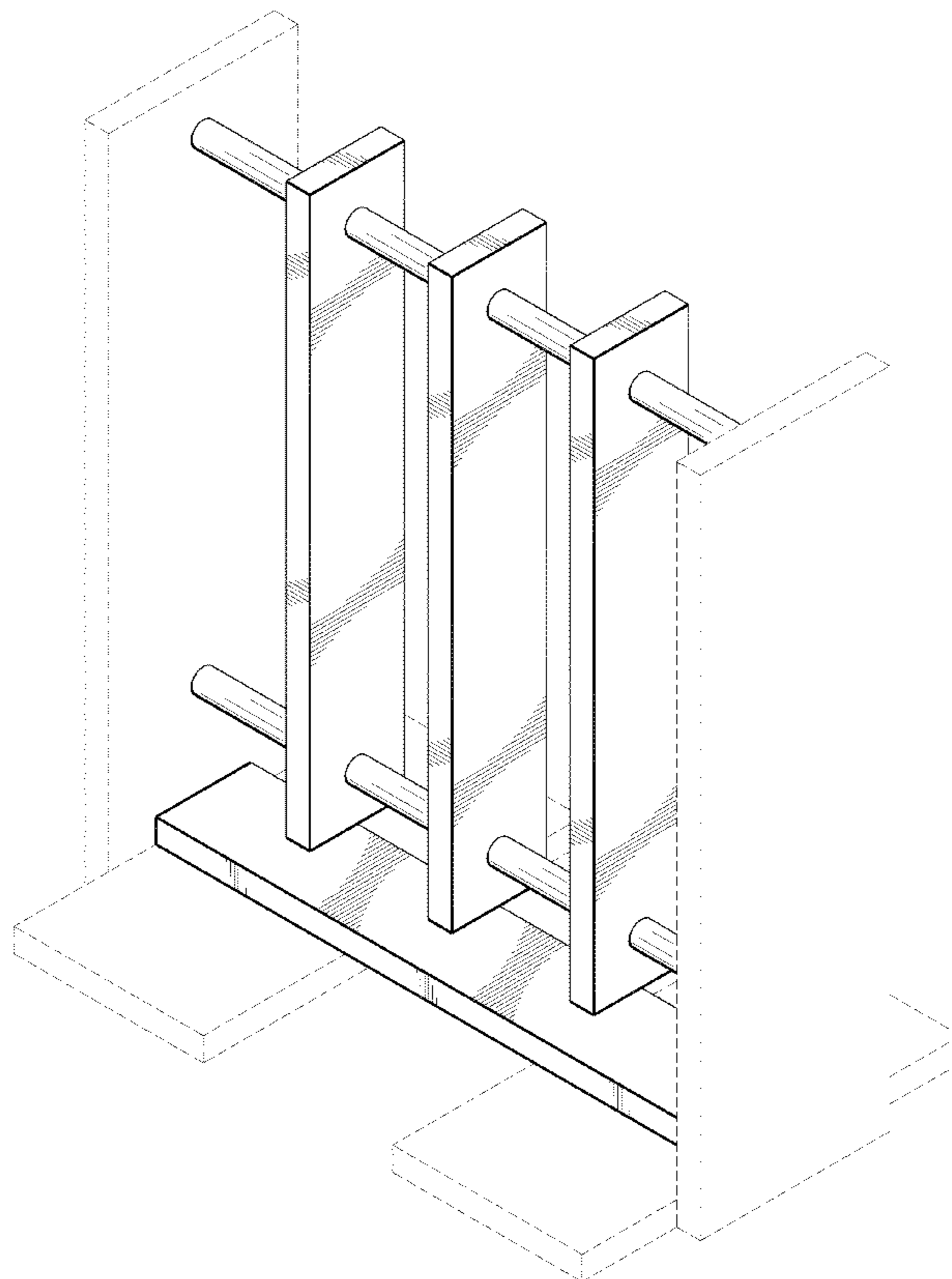
(57) **CLAIM**

The ornamental design for a biomass growth device, as shown and described.

**DESCRIPTION**

FIG. 1 is a perspective view of a biomass growth device showing our new design;  
FIG. 2 is a front elevational view thereof, the rear being the same in appearance;  
FIG. 3 is a right-side elevational view thereof, the left side being the same in appearance;  
FIG. 4 is a top plan view thereof; and,  
FIG. 5 is a bottom plan view thereof.  
The broken lines shown in the figures are included for the purpose of illustrating portions of the biomass growth device and form no part of the claimed design.

**1 Claim, 4 Drawing Sheets**



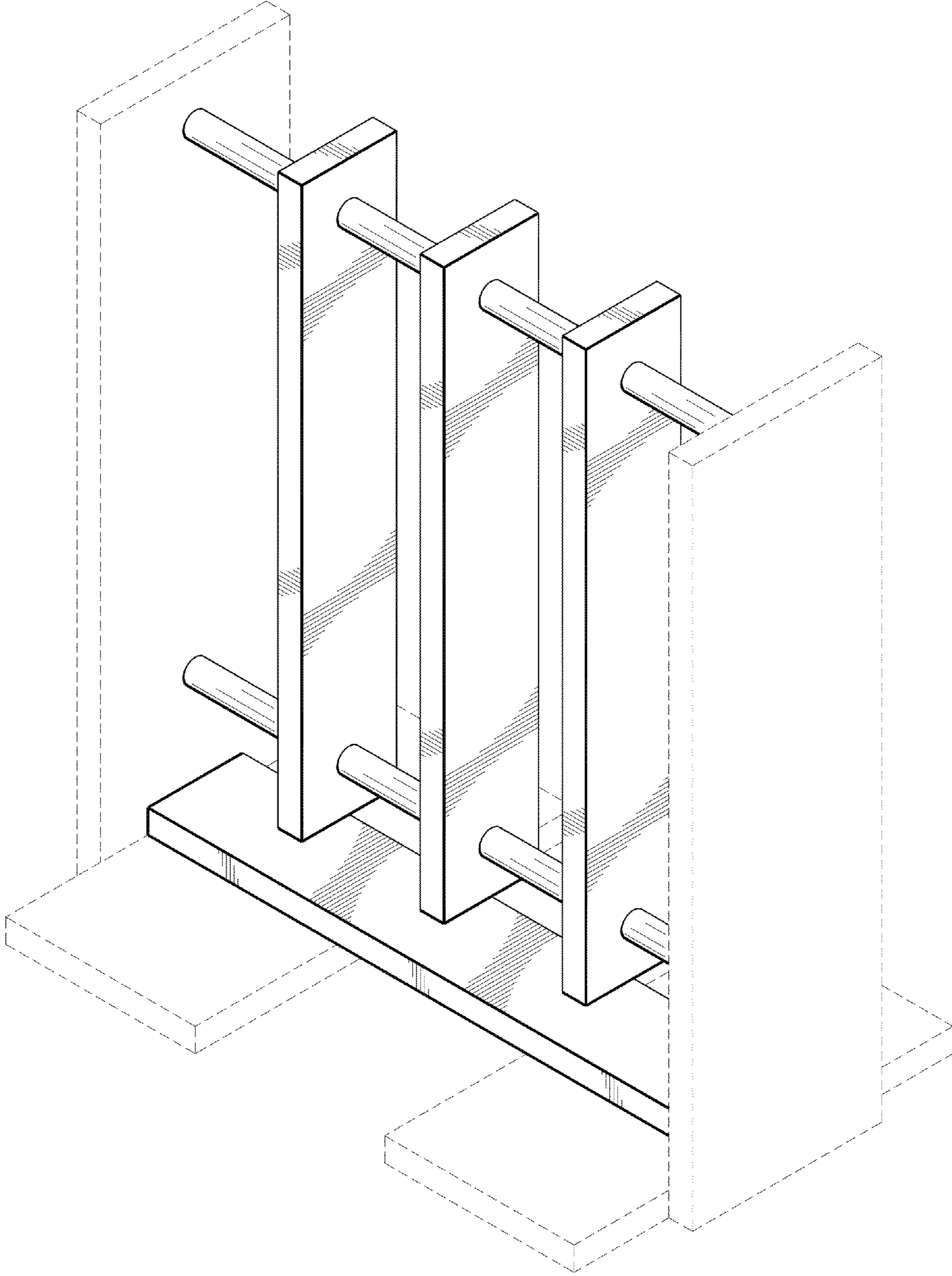


FIG. 1

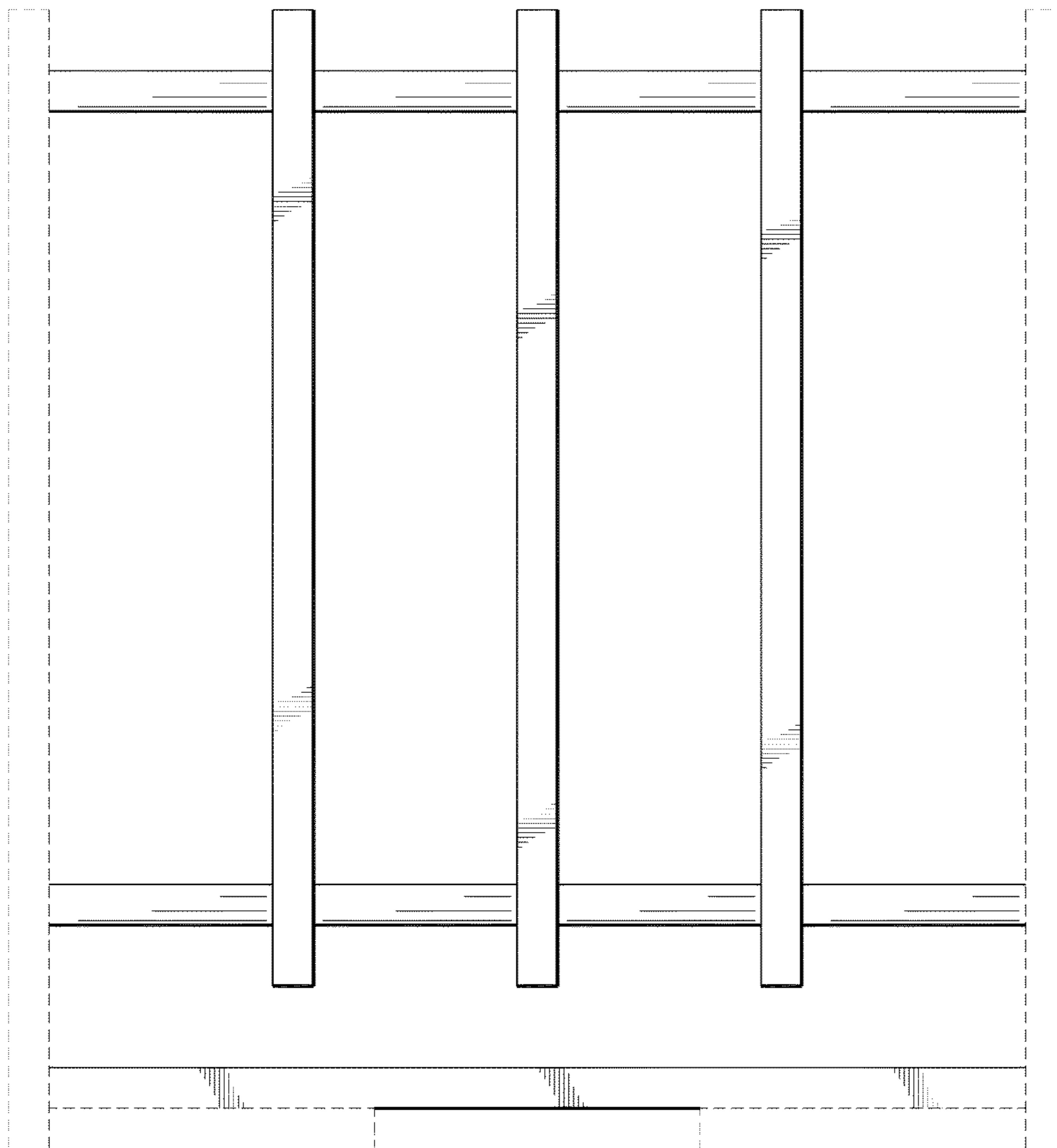


FIG. 2



FIG. 3

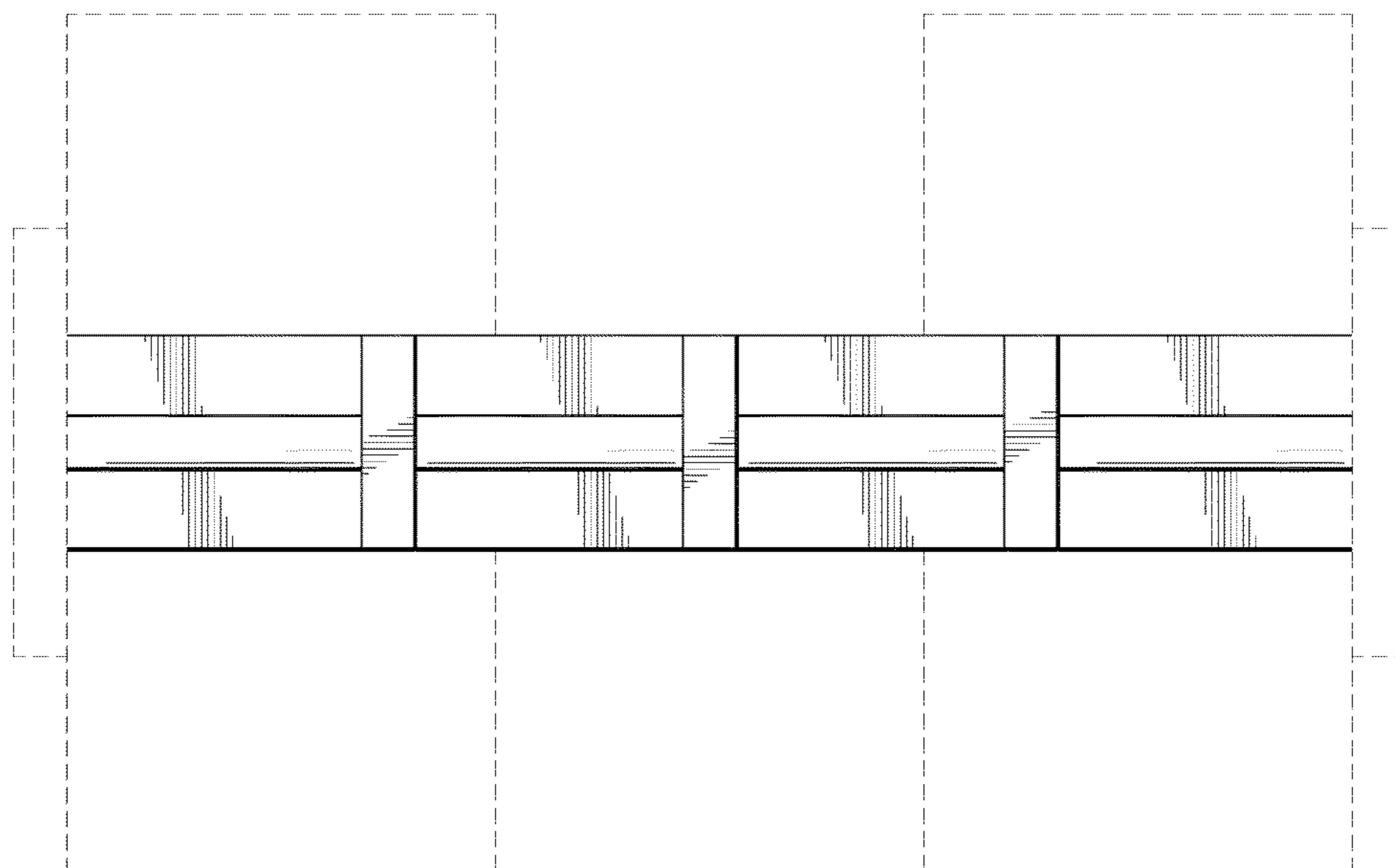


FIG. 4

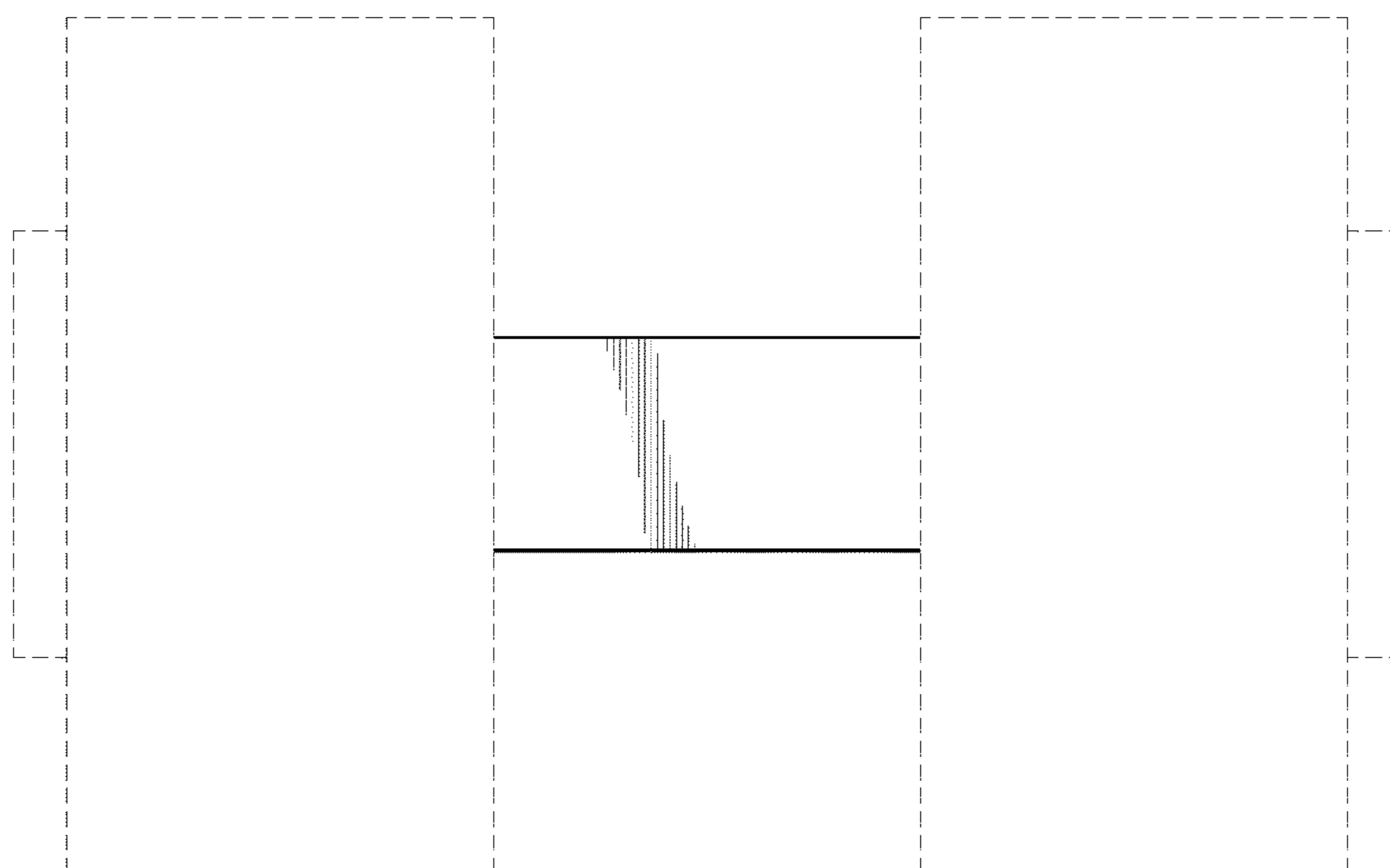


FIG. 5