

US00D726330S

(12) **United States Design Patent**  
**Hurst**

(10) **Patent No.:** **US D726,330 S**  
(45) **Date of Patent:** **\*\* Apr. 7, 2015**

(54) **STORAGE TRAY**

(71) Applicant: **Richard H. Hurst**, Vero Beach, FL (US)

(72) Inventor: **Richard H. Hurst**, Vero Beach, FL (US)

(\*\*) Term: **14 Years**

(21) Appl. No.: **29/487,172**

(22) Filed: **Apr. 6, 2014**

(51) **LOC (10) Cl.** ..... **24-02**

(52) **U.S. Cl.**  
USPC ..... **D24/227**

(58) **Field of Classification Search**  
USPC ..... D24/216, 223–230, 108, 172;  
422/63–67, 99–104, 266, 297, 300;  
211/74, 71.01, 85.13; 206/443,  
206/557–564; D3/294, 295  
See application file for complete search history.

(56) **References Cited**

**U.S. PATENT DOCUMENTS**

3,305,084	A	2/1967	Higgins	
D268,130	S *	3/1983	Easton	D24/230
4,383,615	A	5/1983	Aquino	
D280,663	S *	9/1985	Albon et al.	D24/226
4,728,504	A	3/1988	Nichols	
4,753,345	A	6/1988	Goodsir	
4,795,441	A	1/1989	Bhatt	
5,007,535	A	4/1991	Meseke	
5,031,768	A	7/1991	Fischer	
5,339,955	A	8/1994	Horan	
5,975,295	A	11/1999	Diamond	
D420,743	S *	2/2000	Monks	D24/224
6,068,121	A	5/2000	McGlinch	
D461,554	S *	8/2002	Lafond et al.	D24/230
D466,219	S *	11/2002	Wynschenk et al.	D24/227

D467,080	S *	12/2002	Zimmerman	D3/311
D574,506	S *	8/2008	Monks	D24/224
D576,208	S *	9/2008	Quercetti	D19/37
D622,860	S *	8/2010	Karpiloff	D24/230
D628,305	S *	11/2010	Gorrec et al.	D24/229
D632,404	S *	2/2011	Karpiloff	D24/230
7,886,908	B2	2/2011	Farrar	
D639,447	S *	6/2011	Karpiloff	D24/230
D686,749	S *	7/2013	Trump	D24/230
D690,027	S *	9/2013	Motadel	D24/227
1,270,804	A1	11/2013	Head	
8,678,190	B2	3/2014	Tomes	
2003/0159969	A1	8/2003	McMichael	
2004/0004019	A1	1/2004	Busch	
2004/0195145	A1	10/2004	Roshdy	
2006/0264822	A1	11/2006	Nagamatsu	
2014/0078854	A1	3/2014	Head	

\* cited by examiner

*Primary Examiner* — T. Chase Nelson

*Assistant Examiner* — Mark Cavanna

(74) *Attorney, Agent, or Firm* — Monty Simmons; Simmons Patents

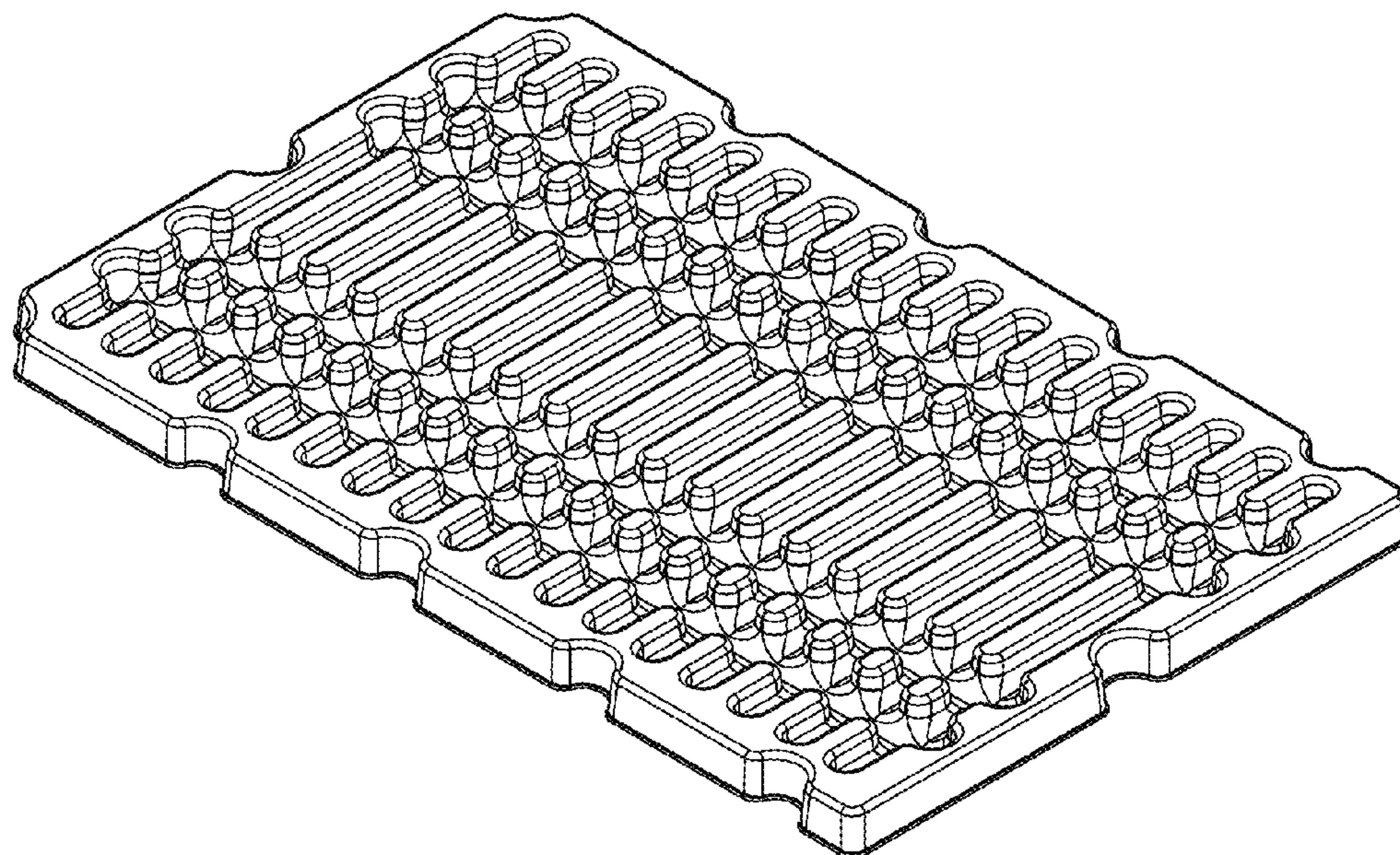
(57) **CLAIM**

The ornamental design for a storage tray, as shown and described.

**DESCRIPTION**

FIG. 1 is a front elevated perspective view of a storage tray showing my new design;  
FIG. 2 is a back elevated perspective view thereof;  
FIG. 3 is a top plan view thereof;  
FIG. 4 is a sectional view taken along line 4-4 of FIG. 3;  
FIG. 5 is a bottom plan view thereof;  
FIG. 6 is a right side elevation view thereof; and,  
FIG. 7 is a left side elevation view thereof.

**1 Claim, 4 Drawing Sheets**





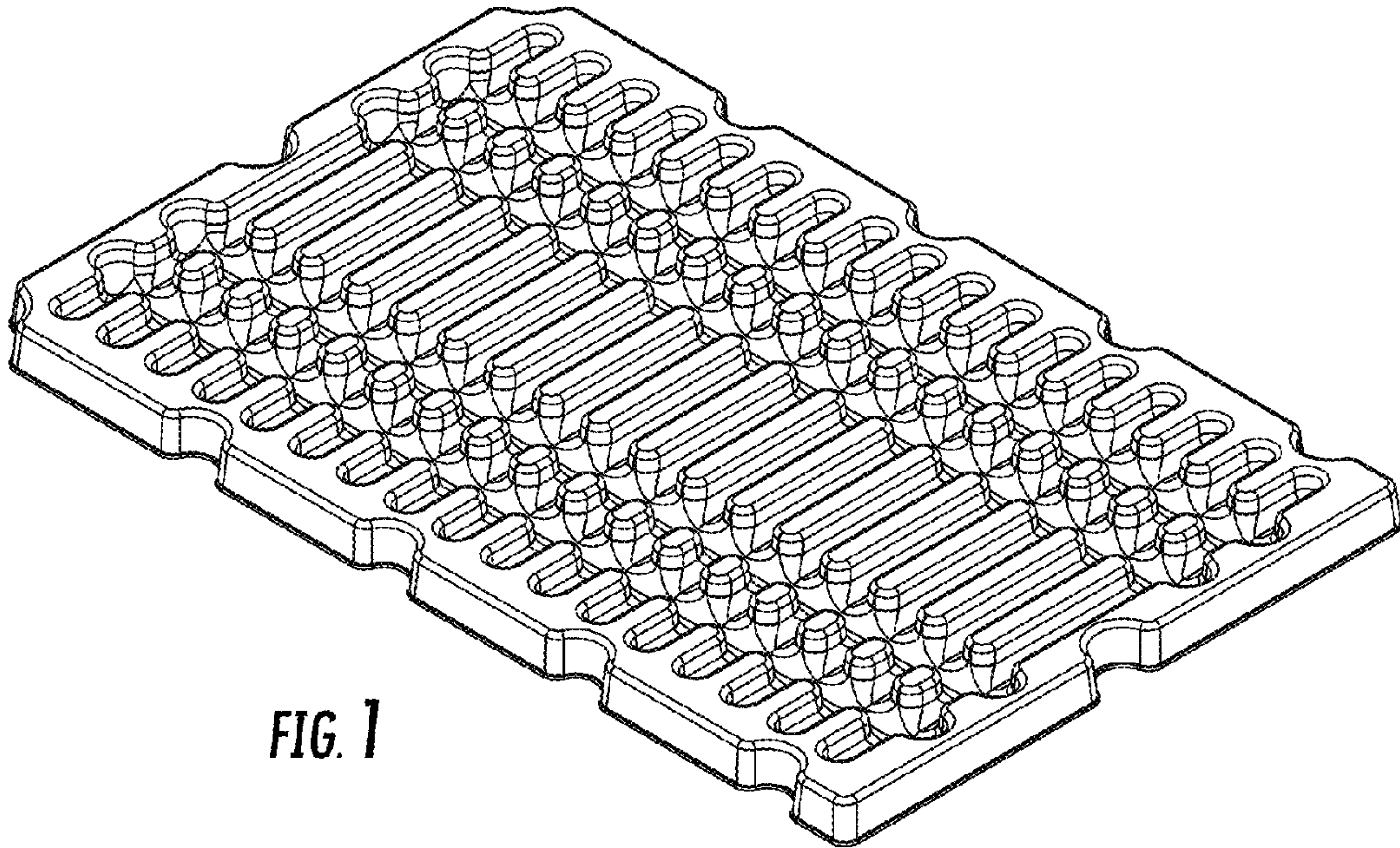


FIG. 1

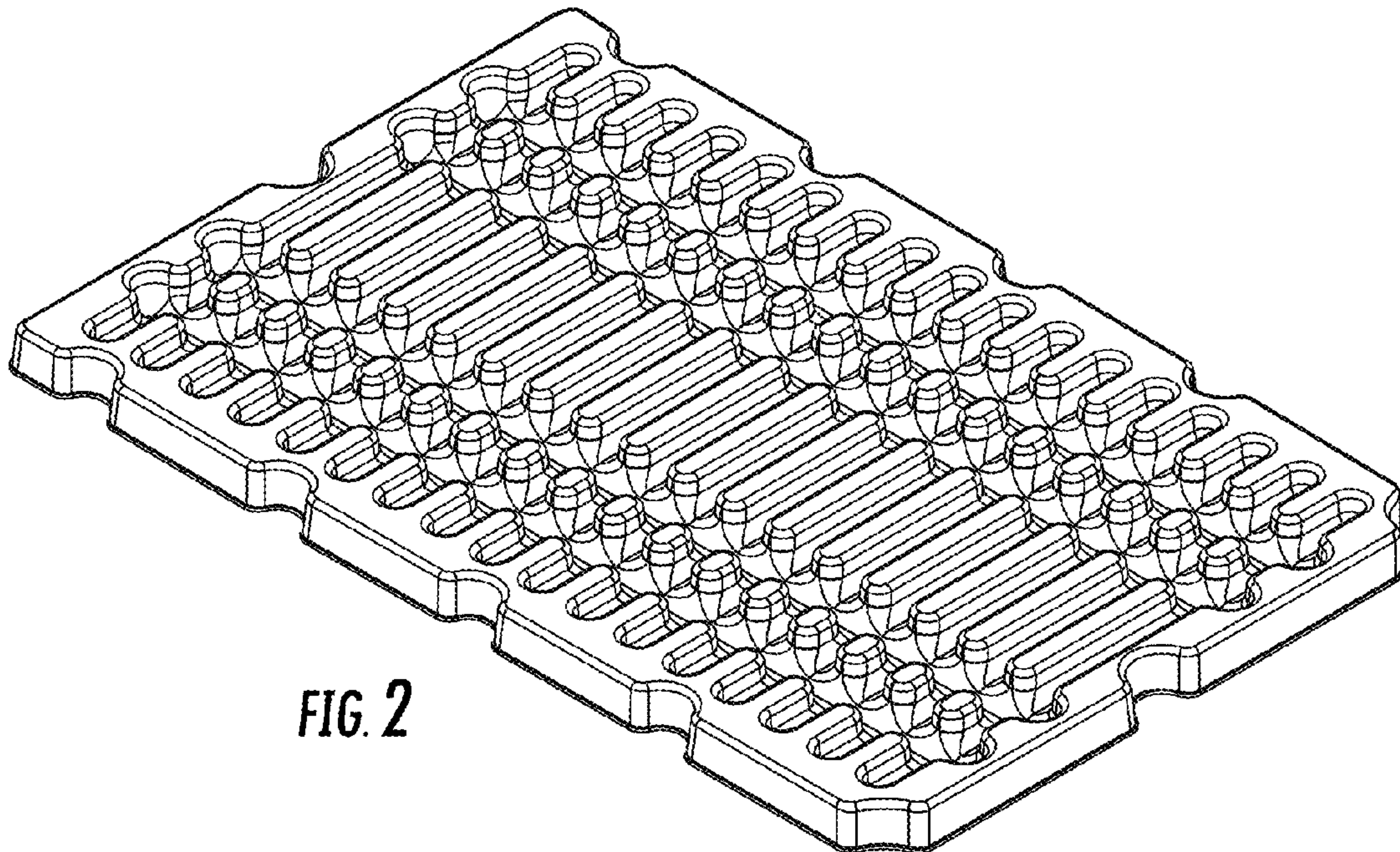


FIG. 2



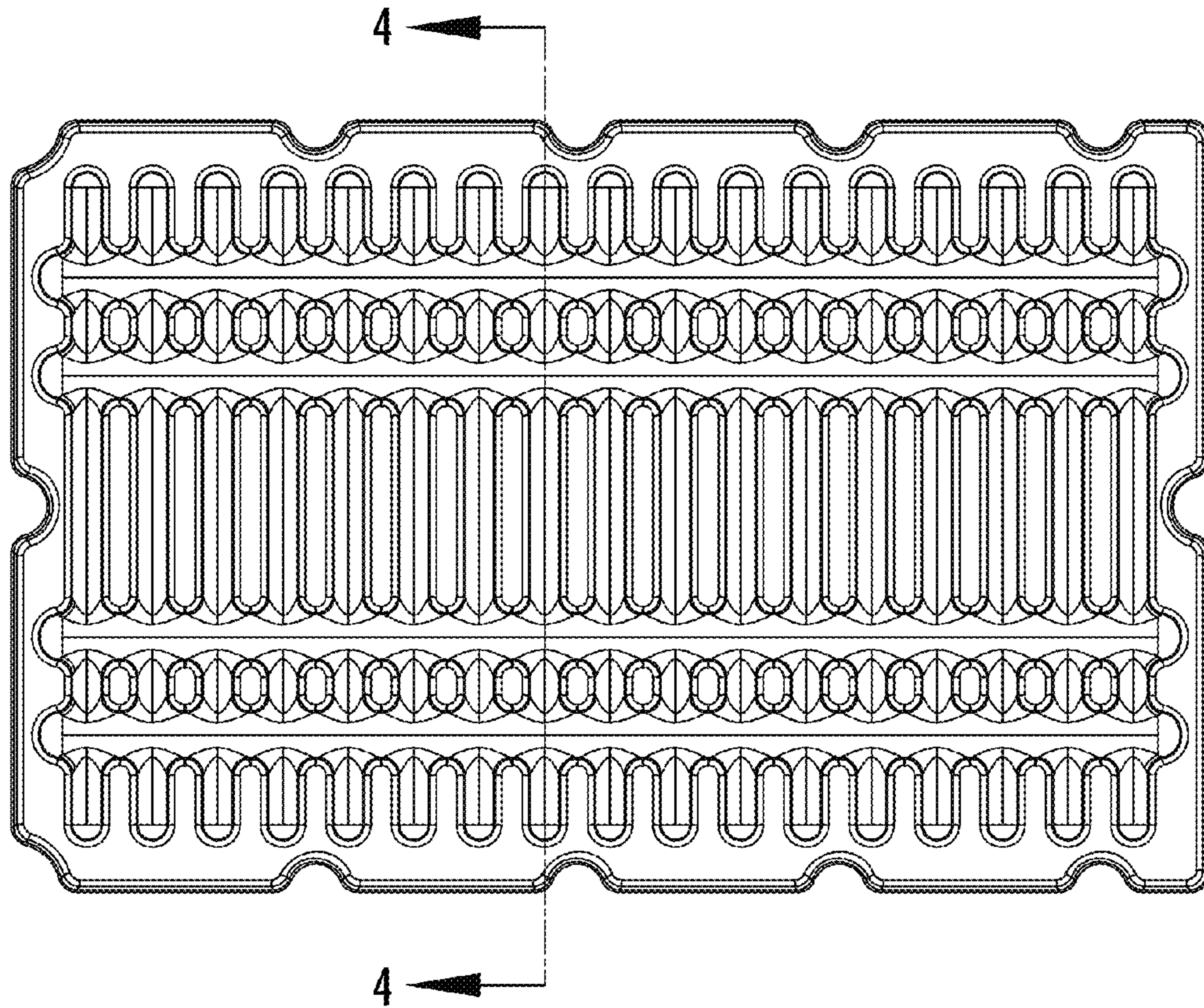


FIG. 3

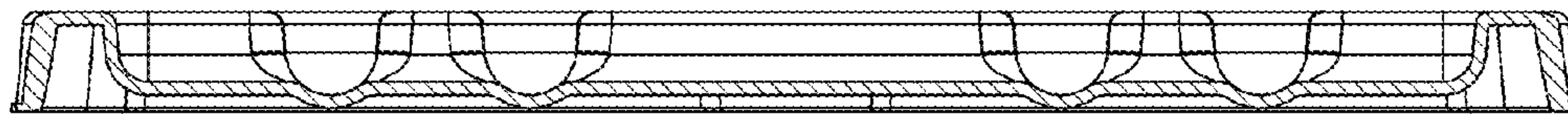


FIG. 4

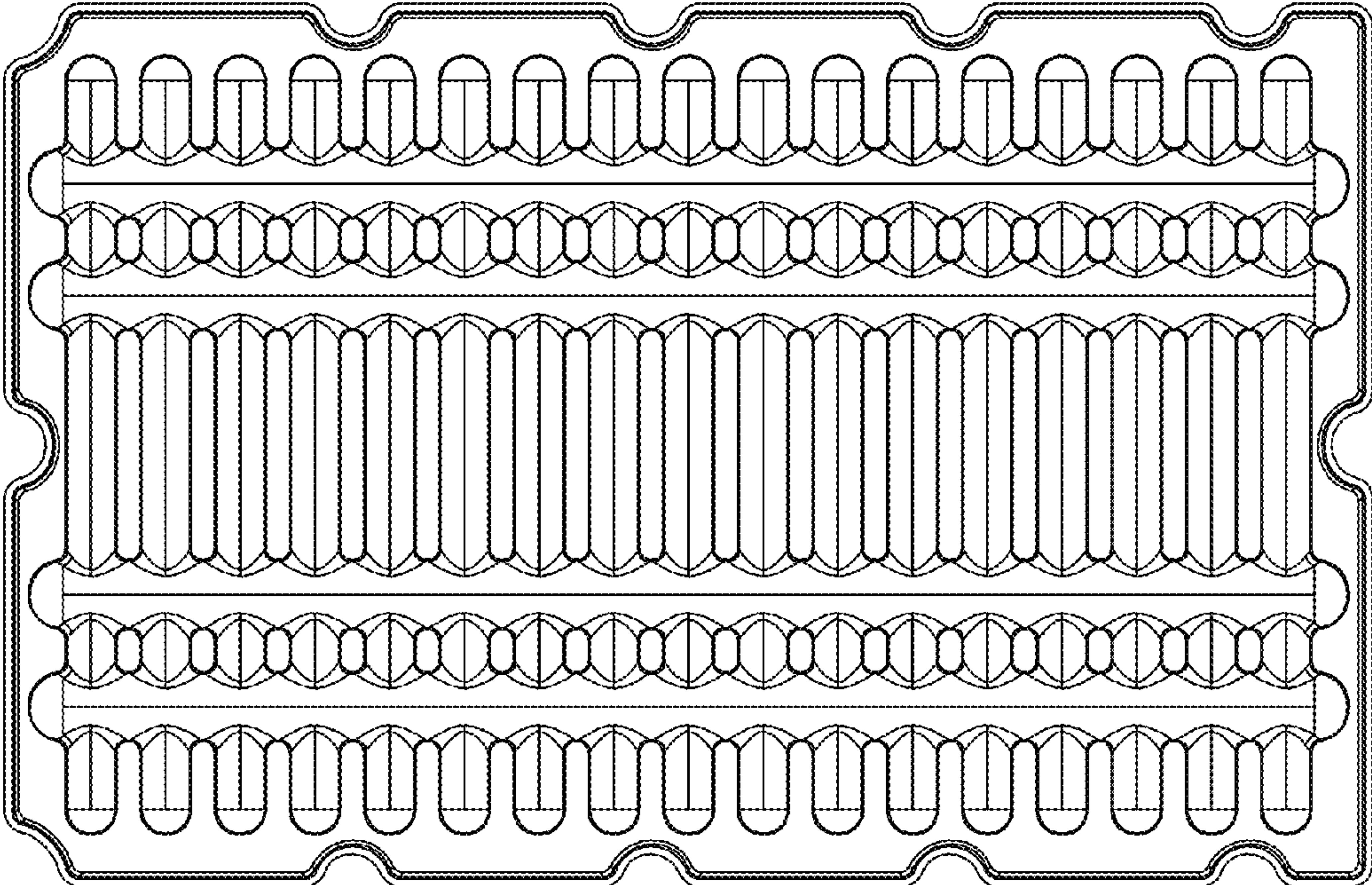
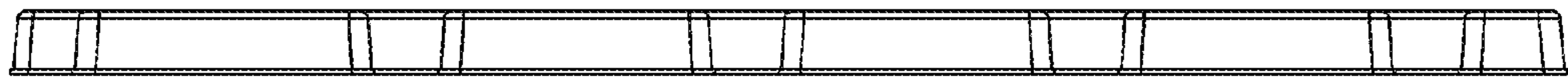


FIG. 5



**FIG. 6**



**FIG. 7**