



US00D726329S

(12) **United States Design Patent**
Sokolov et al.

(10) **Patent No.:** **US D726,329 S**
(45) **Date of Patent:** **** Apr. 7, 2015**

(54) **DEVICE FOR COLLECTING AND TESTING A FLUID SAMPLE**

(71) Applicant: **Atomo Diagnostics Pty Limited**,
Drummoyne, NSW (AU)

(72) Inventors: **Richard Sokolov**, Newington (AU);
Huw Wallis, Newington (AU); **John Kelly**,
Newington (AU); **Melody Shiue**,
Newington (AU)

(73) Assignee: **Atomo Diagnostics Pty Limited**,
Drummoyne, NSW (AU)

(**) Term: **14 Years**

(21) Appl. No.: **29/451,536**

(22) Filed: **Apr. 3, 2013**

(30) **Foreign Application Priority Data**

Oct. 3, 2012 (AU) 14942/2012

(51) **LOC (10) Cl.** **24-01**

(52) **U.S. Cl.**
USPC **D24/223; D24/216**

(58) **Field of Classification Search**
USPC D24/216, 223, 231, 232, 233, 186, 169;
D10/81; 436/164, 165, 166, 169;
422/408, 430, 68.1, 500, 502, 503;
600/367, 309, 583

See application file for complete search history.

(56) **References Cited**

U.S. PATENT DOCUMENTS

4,637,403 A 1/1987 Garcia et al.
4,661,319 A 4/1987 Lape
5,249,584 A 10/1993 Karkar et al.
D342,575 S * 12/1993 Ashihara et al. D24/223
5,714,390 A 2/1998 Hallowitz et al.
6,184,040 B1 * 2/2001 Polizzotto et al. 422/68.1
D439,985 S * 4/2001 Sanner D24/216

6,264,619 B1 7/2001 Ferguson
6,830,551 B1 12/2004 Uchigaki et al.
7,294,502 B2 * 11/2007 Eckermann et al. 435/287.1
D560,812 S * 1/2008 Powell et al. D24/216
D597,216 S * 7/2009 McGuigan et al. D24/216
D626,249 S * 10/2010 Wang et al. D24/223
D631,556 S * 1/2011 Shi et al. D24/225

(Continued)

FOREIGN PATENT DOCUMENTS

CN 101641052 1/2013
EP 1284121 2/2003

(Continued)

OTHER PUBLICATIONS

International Search Report mailed on Dec. 20, 2011 in International
Application No. PCT/AU2011/001321, International Filing Date
Oct. 17, 2011. (4 pages).

(Continued)

Primary Examiner — Anhdao Doan

(74) *Attorney, Agent, or Firm* — Novak Druce Connolly
Bove + Quigg LLP

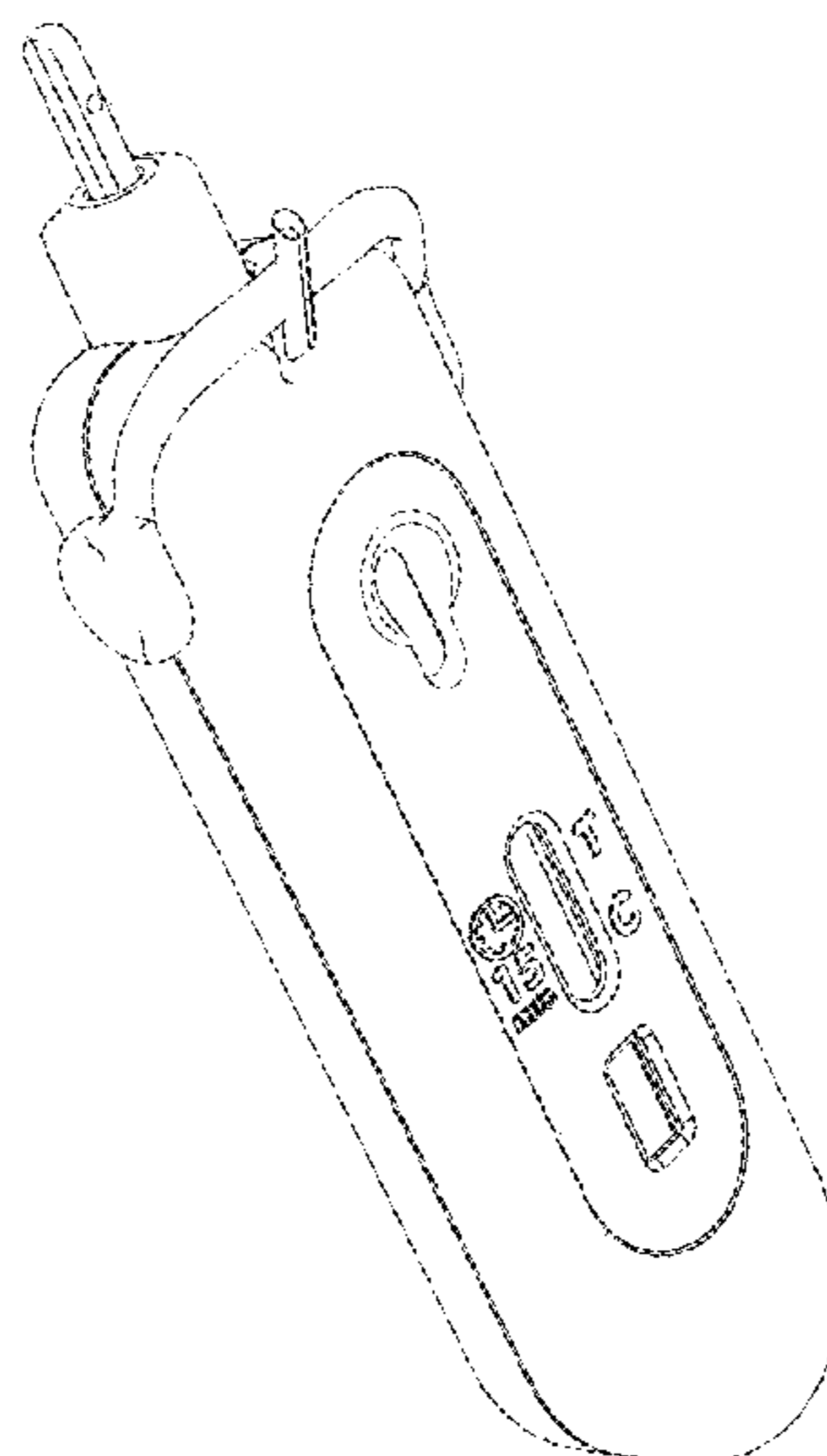
(57) **CLAIM**

The ornamental design for a device for collecting and testing
a fluid sample, as shown and described.

DESCRIPTION

FIG. 1 is a top view of a device for collecting and testing a
fluid sample;
FIG. 2 is a bottom view thereof;
FIG. 3 is a right side view thereof;
FIG. 4 is a front view thereof;
FIG. 5 is a left side view thereof;
FIG. 6 is a rear view thereof;
FIG. 7 is a top perspective view thereof; and,
FIG. 8 is a top perspective view in a retracted sample feed
configuration.

1 Claim, 8 Drawing Sheets



(56)

References Cited

U.S. PATENT DOCUMENTS

7,935,317	B2 *	5/2011	Axtell et al.	422/500
7,946,984	B2	5/2011	Brister et al.	
8,229,534	B2	7/2012	Brister et al.	
D676,570	S *	2/2013	Chance et al.	D24/223
2003/0013121	A1	1/2003	Khan	
2005/0283094	A1	12/2005	Thym et al.	
2009/0286692	A1 *	11/2009	Wainwright et al.	506/9
2010/0036282	A1	2/2010	List et al.	
2010/0184126	A1	7/2010	Rutty et al.	
2011/0144465	A1	6/2011	Shults et al.	
2011/0190614	A1	8/2011	Brister et al.	
2012/0283543	A1	11/2012	Brauker et al.	
2013/0280696	A1 *	10/2013	Millenson et al.	600/309

FOREIGN PATENT DOCUMENTS

EP	1374770	1/2004
JP	2012505639	3/2012

JP	5127839	1/2013
WO	8800812	2/1988
WO	0113795	3/2001
WO	02078533	10/2002
WO	2004078232	9/2004
WO	2006037646	4/2006
WO	2008085052	7/2008

OTHER PUBLICATIONS

International Preliminary Report on Patentability mailed on Jul. 30, 2012 in International Application No. PCT/AU2011/000315, International Filing Date Mar. 18, 2011. (12 pages).

International Search Report mailed on Jun. 14, 2011 in International Application No. PCT/AU2011/000315, International Filing Date Mar. 18, 2011. (7 pages).

* cited by examiner

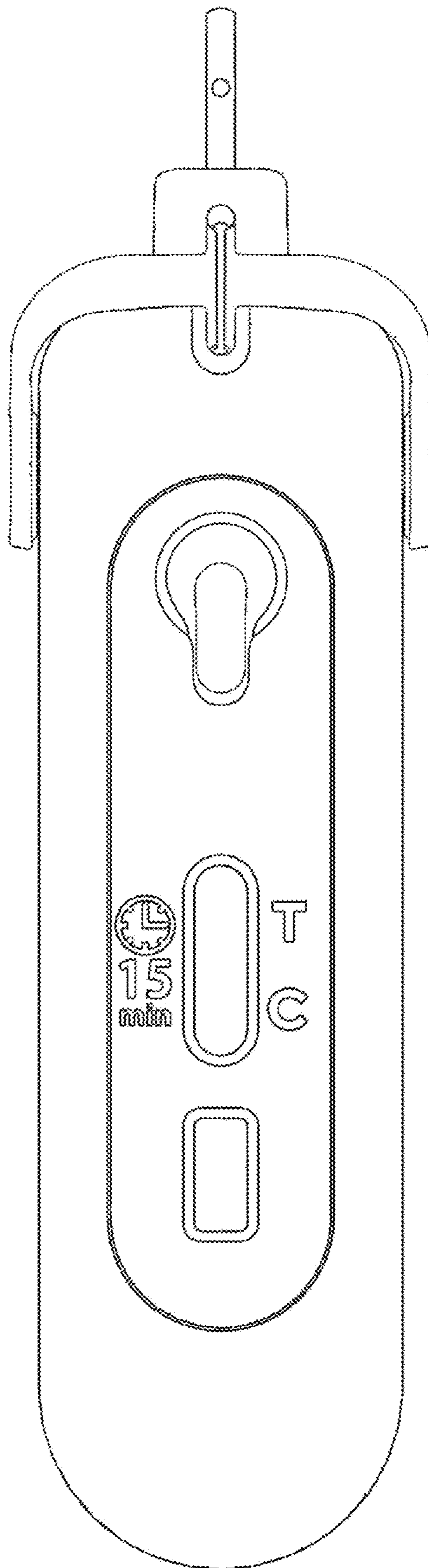


FIG. 1

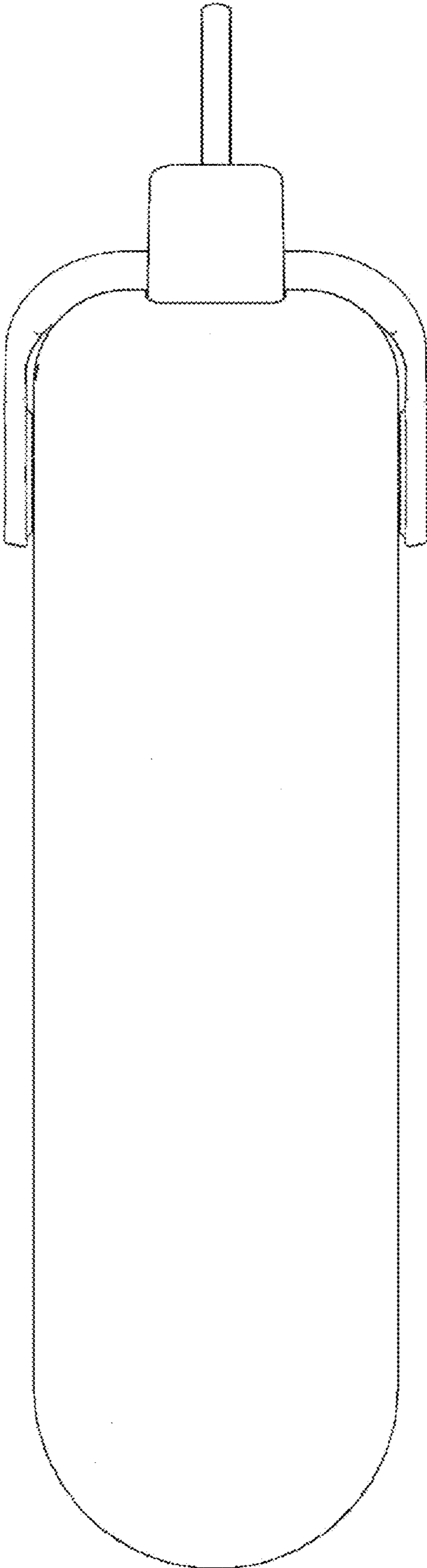


FIG. 2

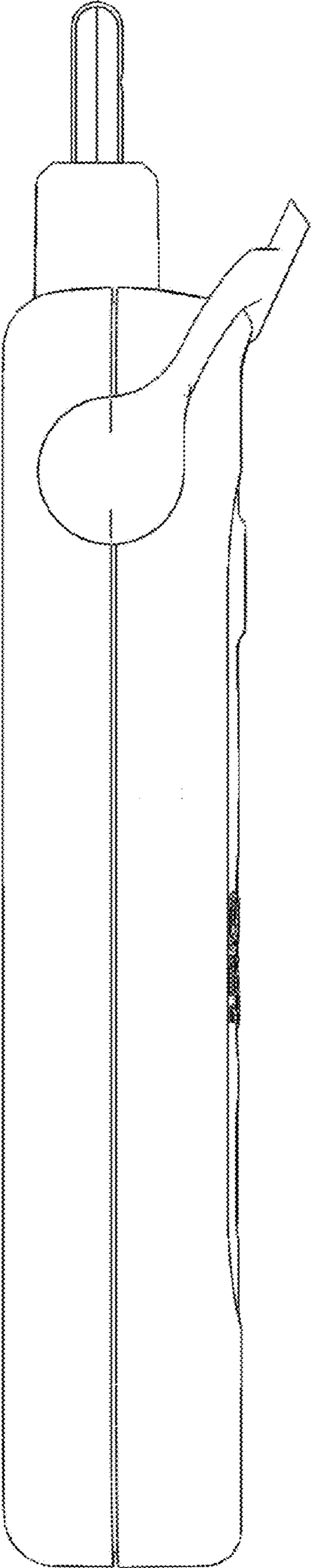


FIG. 3

FIG. 4

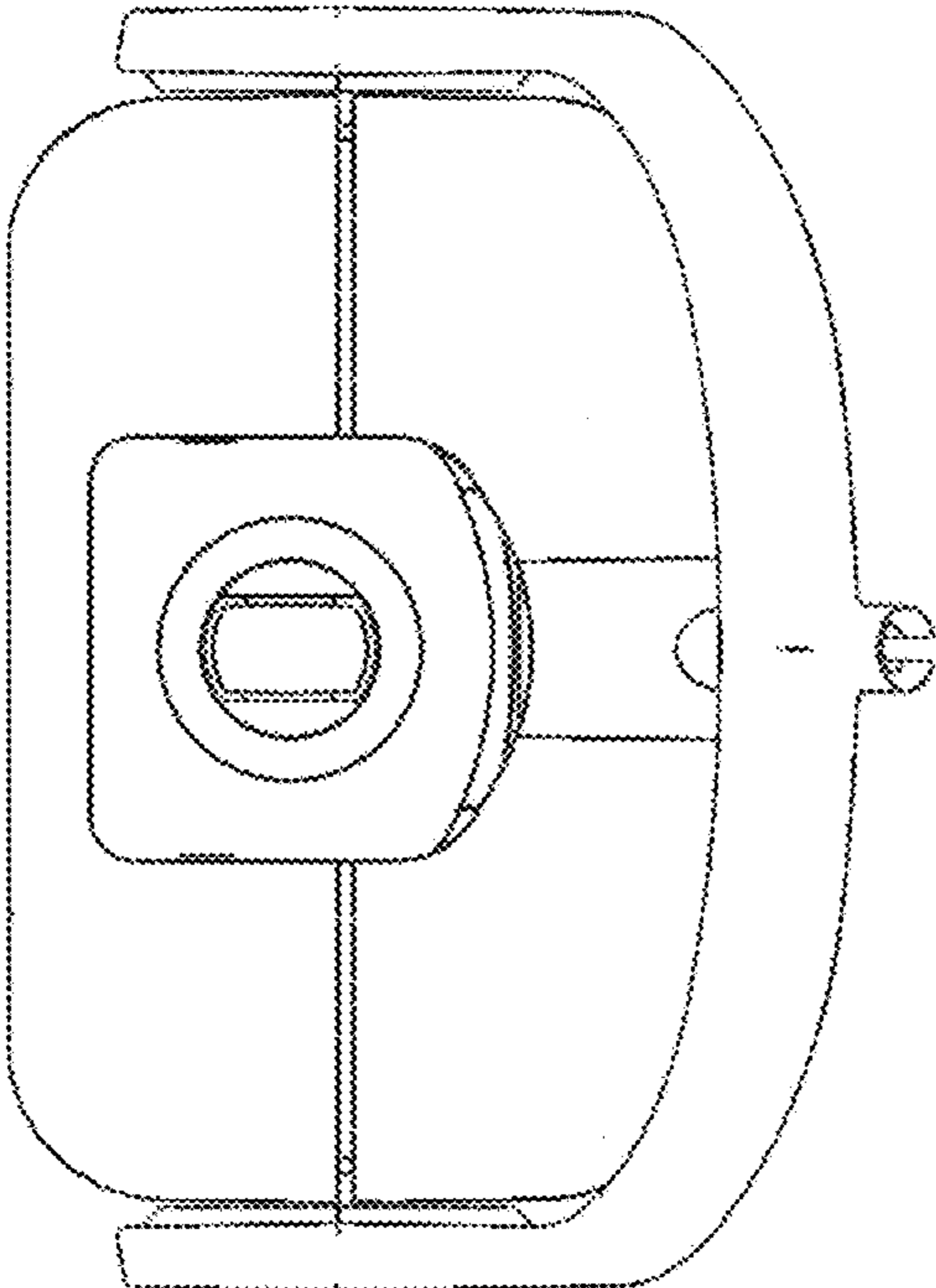


FIG. 5

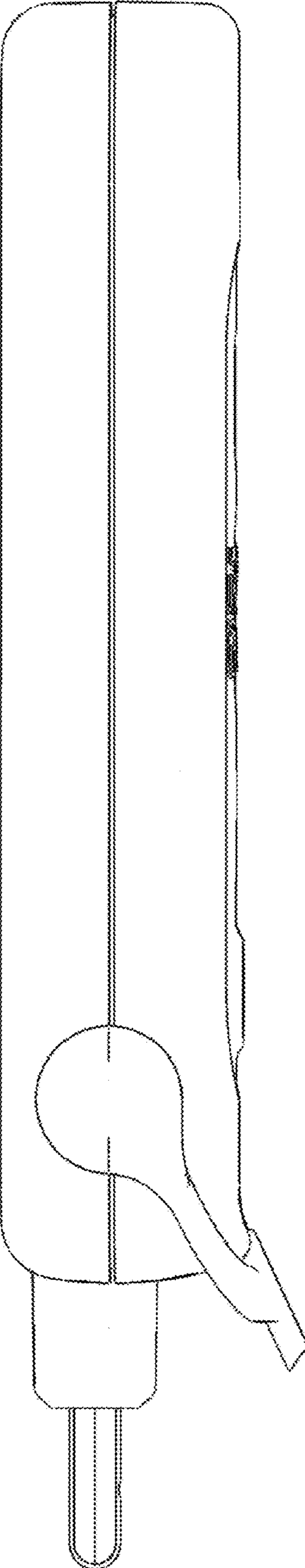
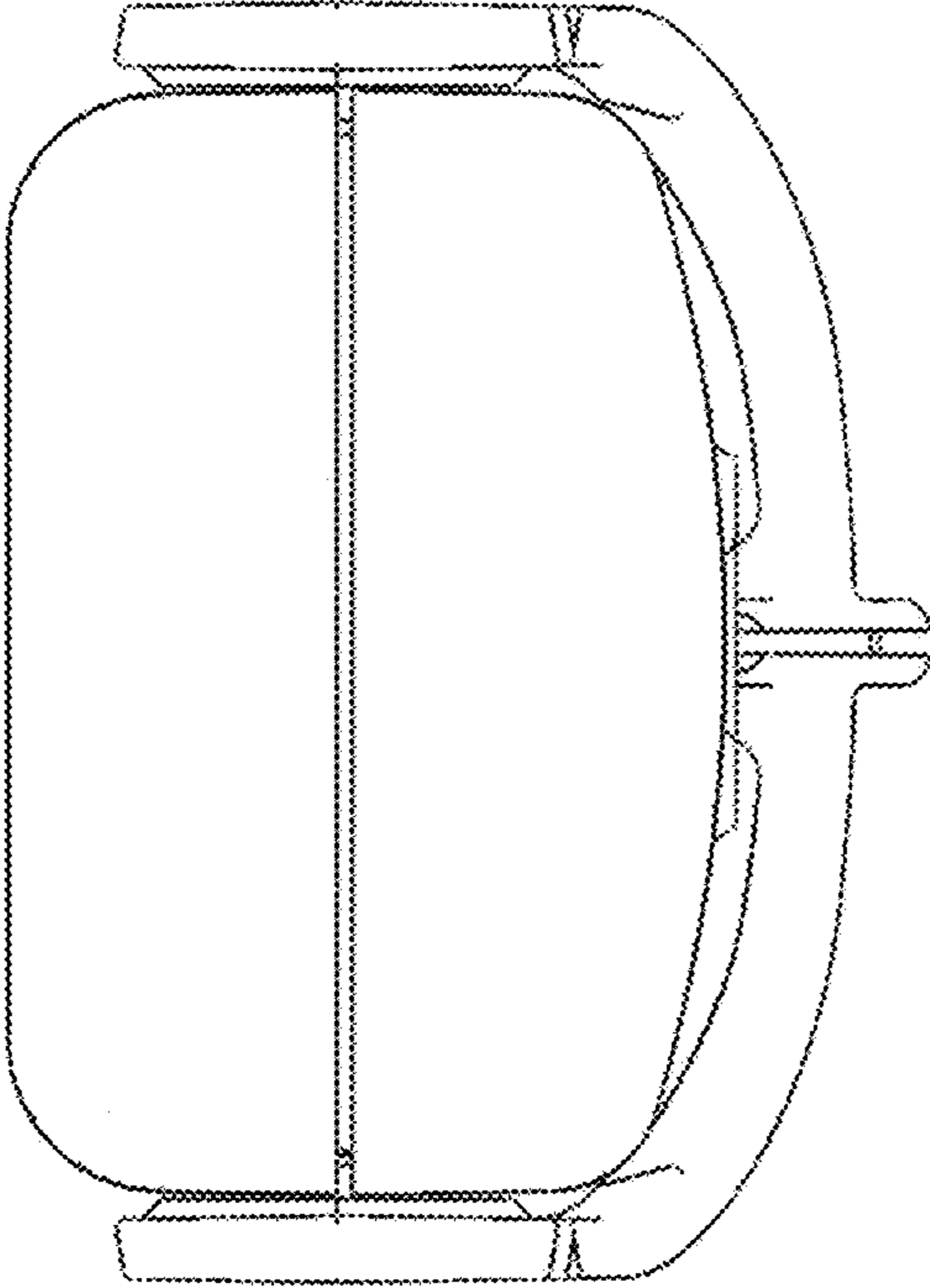


FIG. 6



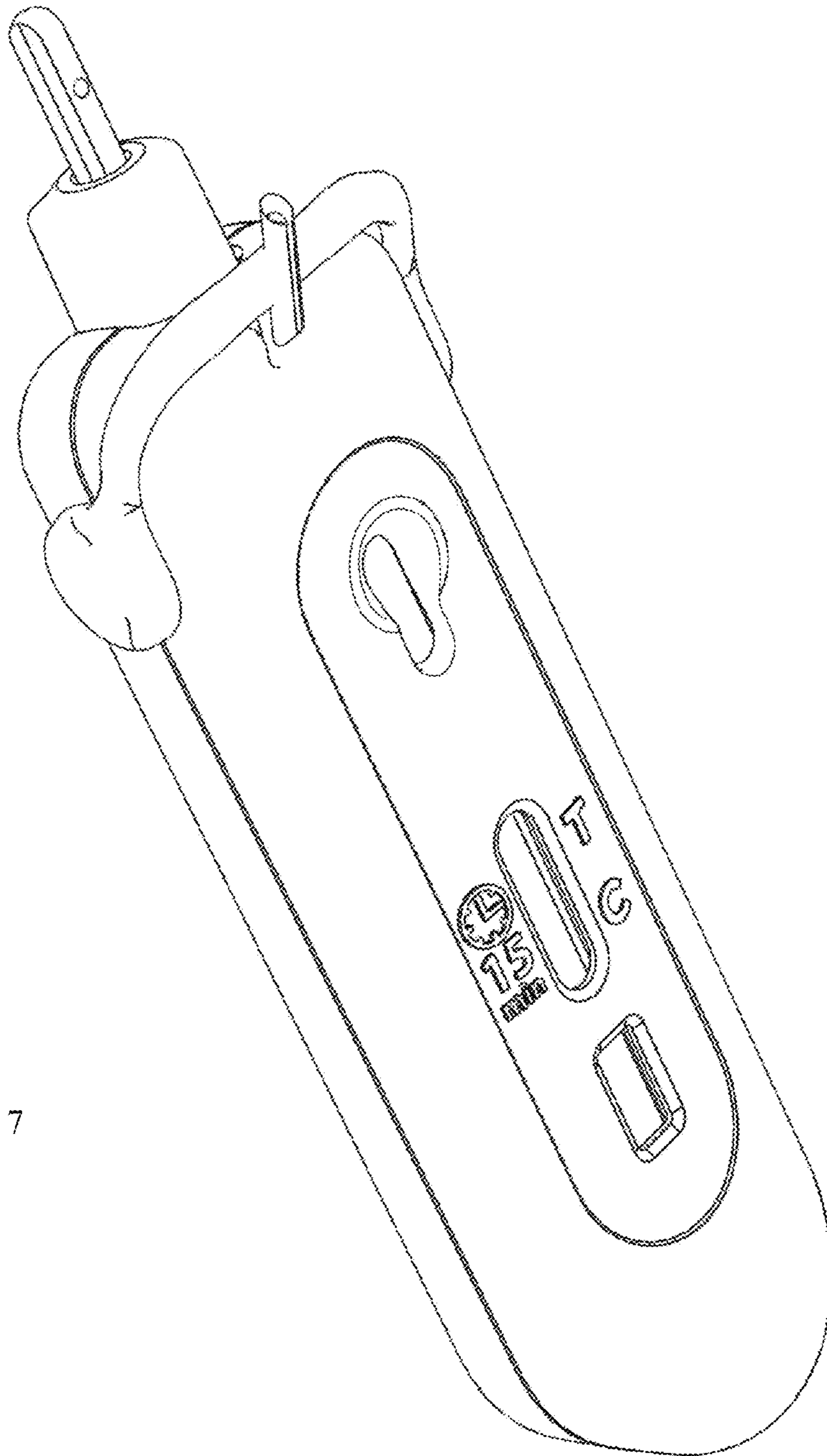


FIG. 7

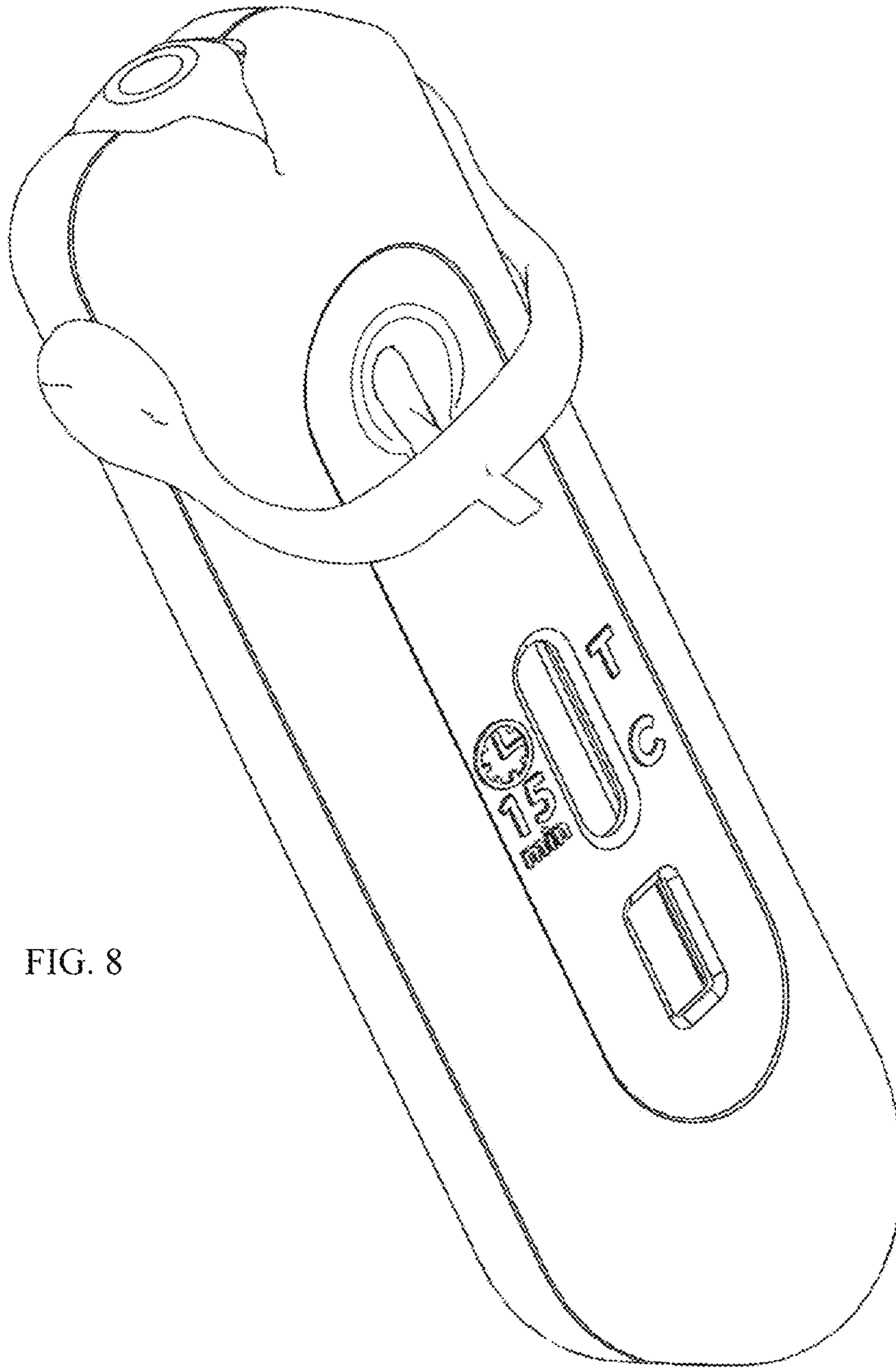


FIG. 8