



US00D726328S

(12) **United States Design Patent**
Larsen et al.

(10) **Patent No.:** **US D726,328 S**
(45) **Date of Patent:** **** Apr. 7, 2015**

- (54) **SPA SHELL**
- (71) Applicant: **Watkins Manufacturing Corporation,**
Vista, CA (US)
- (72) Inventors: **Christopher Carl Larsen,** Vista, CA
(US); **Sage Nathan Baker,** Cardiff by
the Sea, CA (US)
- (73) Assignee: **Watkins Manufacturing Corporation,**
Vista, CA (US)
- (**) Term: **14 Years**
- (21) Appl. No.: **29/477,490**
- (22) Filed: **Dec. 23, 2013**
- (51) **LOC (10) Cl.** **24-02**
- (52) **U.S. Cl.**
USPC **D24/204**
- (58) **Field of Classification Search**
USPC D24/201, 204, 205; D23/277, 278, 276,
D23/280.1–280.3; 601/154–158;
4/541.1–541.6, 547, 578.1, 579
See application file for complete search history.

D634,019 S *	3/2011	Larsen et al.	D24/204
D634,021 S *	3/2011	Larsen et al.	D24/204
D649,256 S *	11/2011	Larsen et al.	D24/204
D657,881 S *	4/2012	Larsen et al.	D24/204
D657,882 S *	4/2012	Larsen et al.	D24/204
D657,883 S *	4/2012	Larsen et al.	D24/204
D680,656 S *	4/2013	Larsen et al.	D24/204
D683,038 S *	5/2013	Larsen et al.	D24/204
D683,039 S *	5/2013	Larsen et al.	D24/204

* cited by examiner

Primary Examiner — David Muller

(74) *Attorney, Agent, or Firm* — Kirk W. Rudolph

(57) **CLAIM**

The ornamental design for a spa shell, as shown and described.

DESCRIPTION

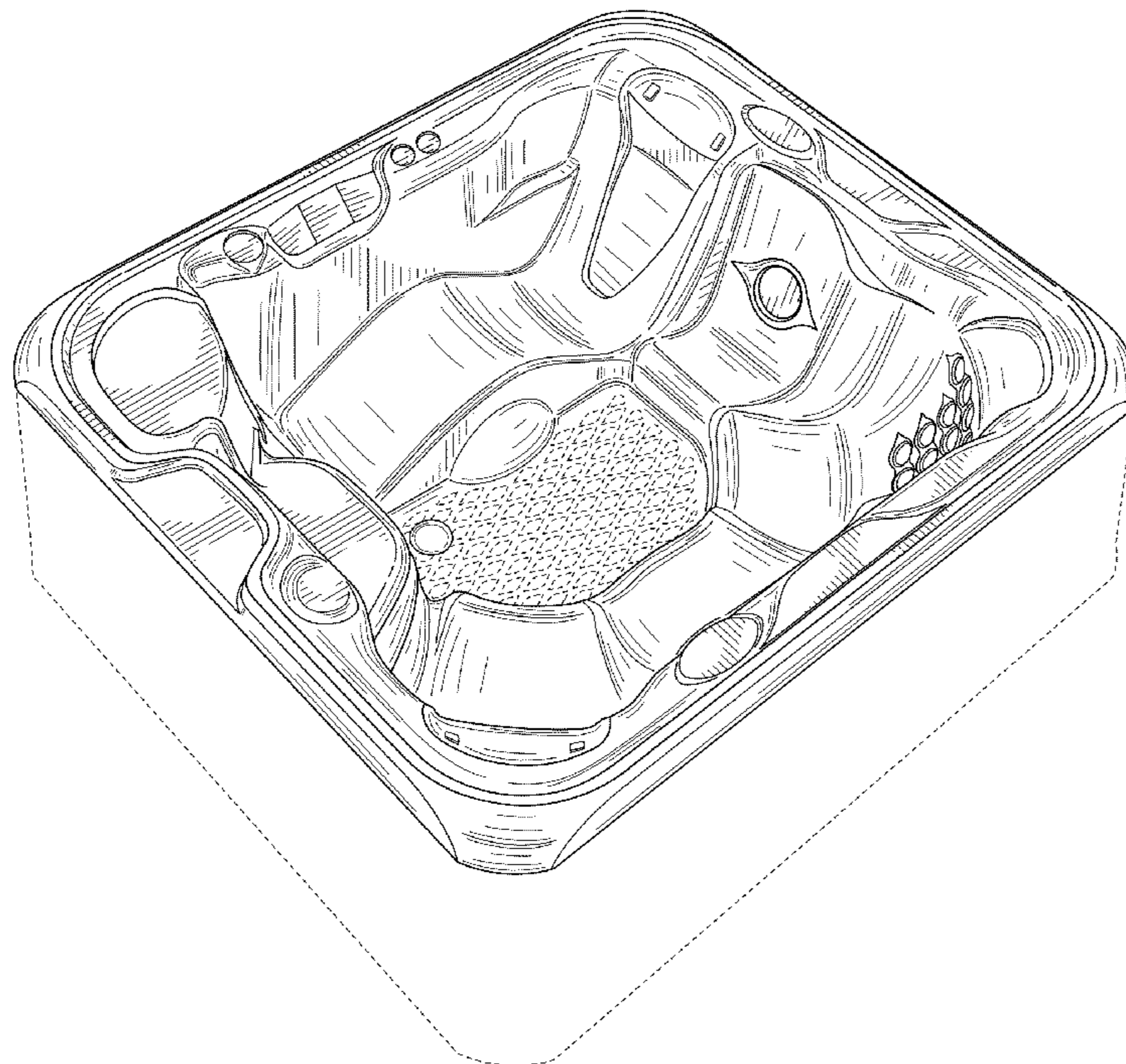
FIG. 1 is a perspective view of a spa shell showing our design; FIG. 2 is a perspective view thereof; FIG. 3 is a top plan view thereof; FIG. 4 is a cross-sectional view taken along line 4-4 of FIG. 3; FIG. 5 is a cross-sectional view taken along line 5-5 of FIG. 3; FIG. 6 is a cross-sectional view taken along line 6-6 of FIG. 3; FIG. 7 is a cross-sectional view taken along line 7-7 of FIG. 3; FIG. 8 is a cross-sectional view taken along line 8-8 of FIG. 3; and, FIG. 9 is a cross-sectional view taken along line 9-9 of FIG. 3. The broken lines in the drawings represent unclaimed portions of the spa shell and form no part thereof.

1 Claim, 6 Drawing Sheets

(56) **References Cited**

U.S. PATENT DOCUMENTS

D542,925 S *	5/2007	Larsen	D24/204
D620,600 S *	7/2010	Larsen et al.	D24/204
D621,947 S *	8/2010	Larsen et al.	D24/204
D624,657 S *	9/2010	Larsen et al.	D24/204



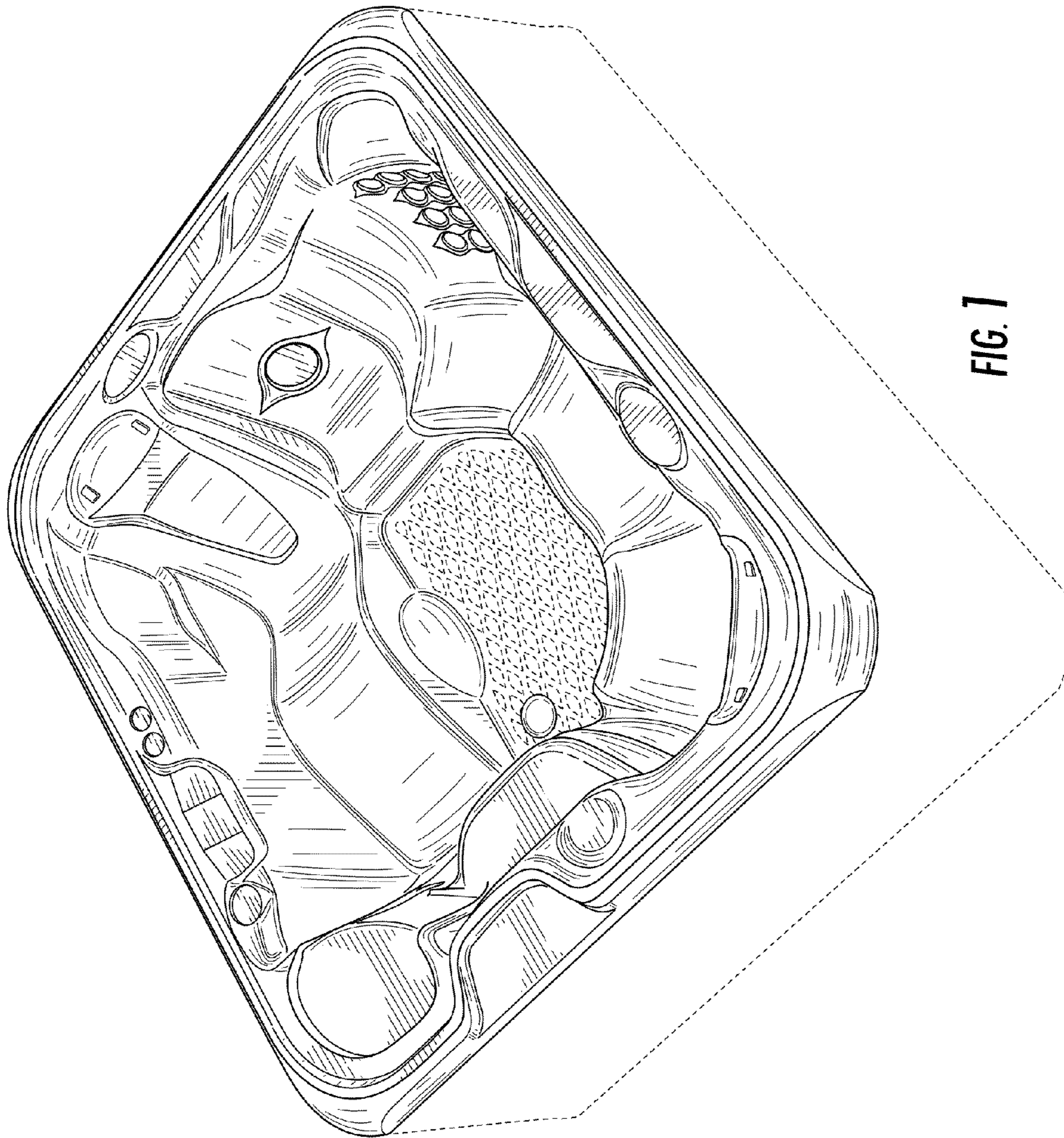


FIG. 1

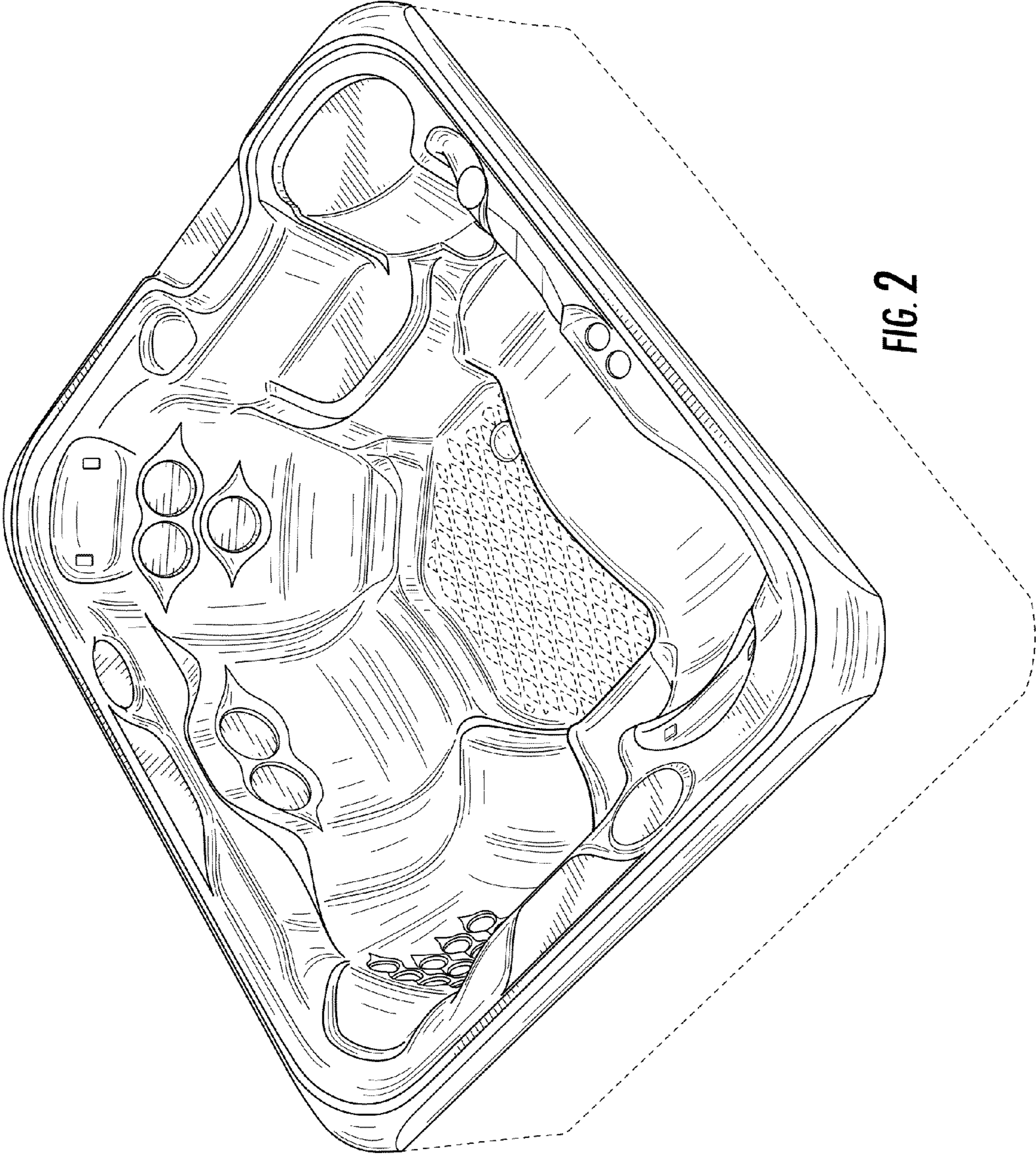


FIG. 2

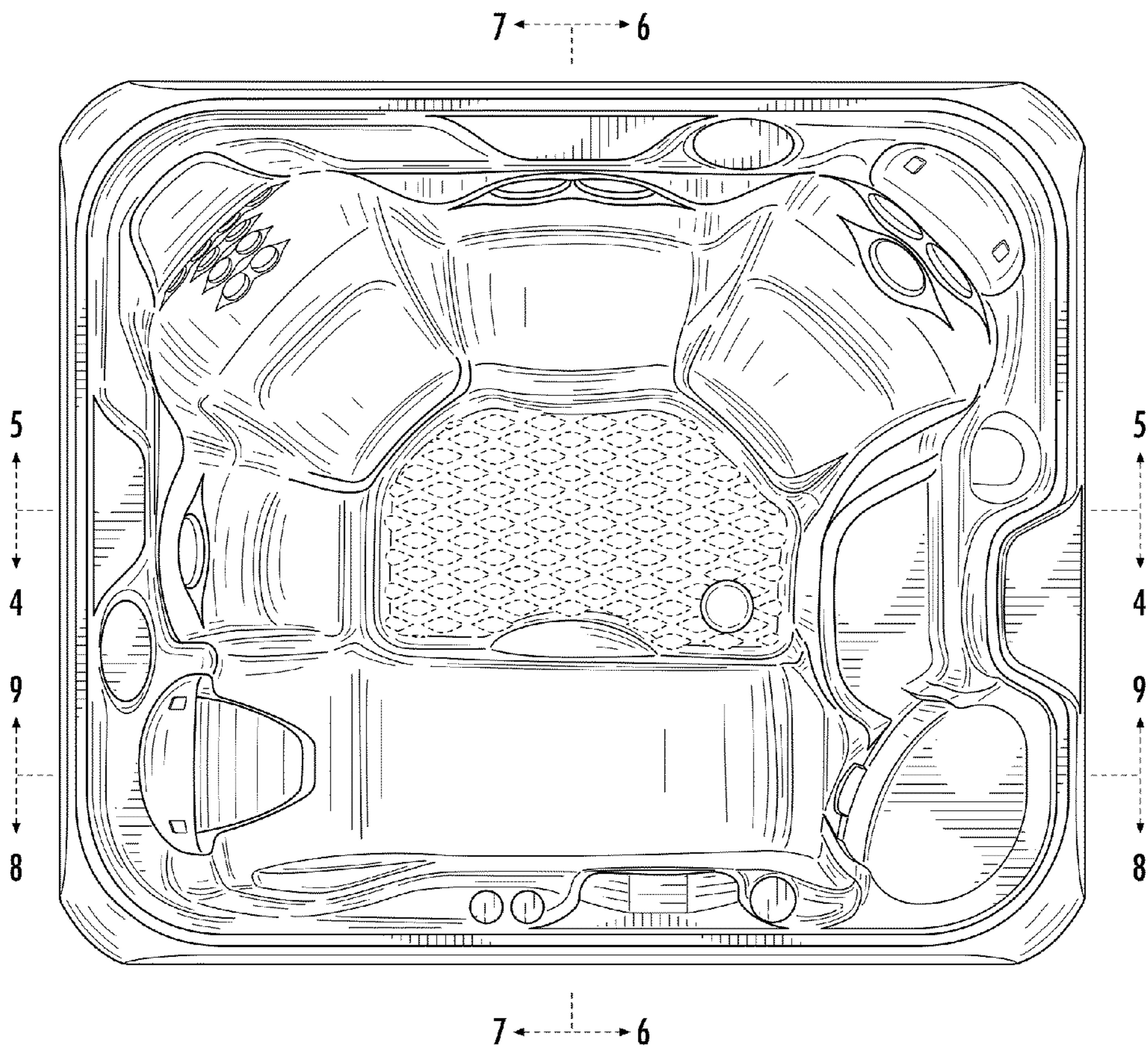


FIG. 3

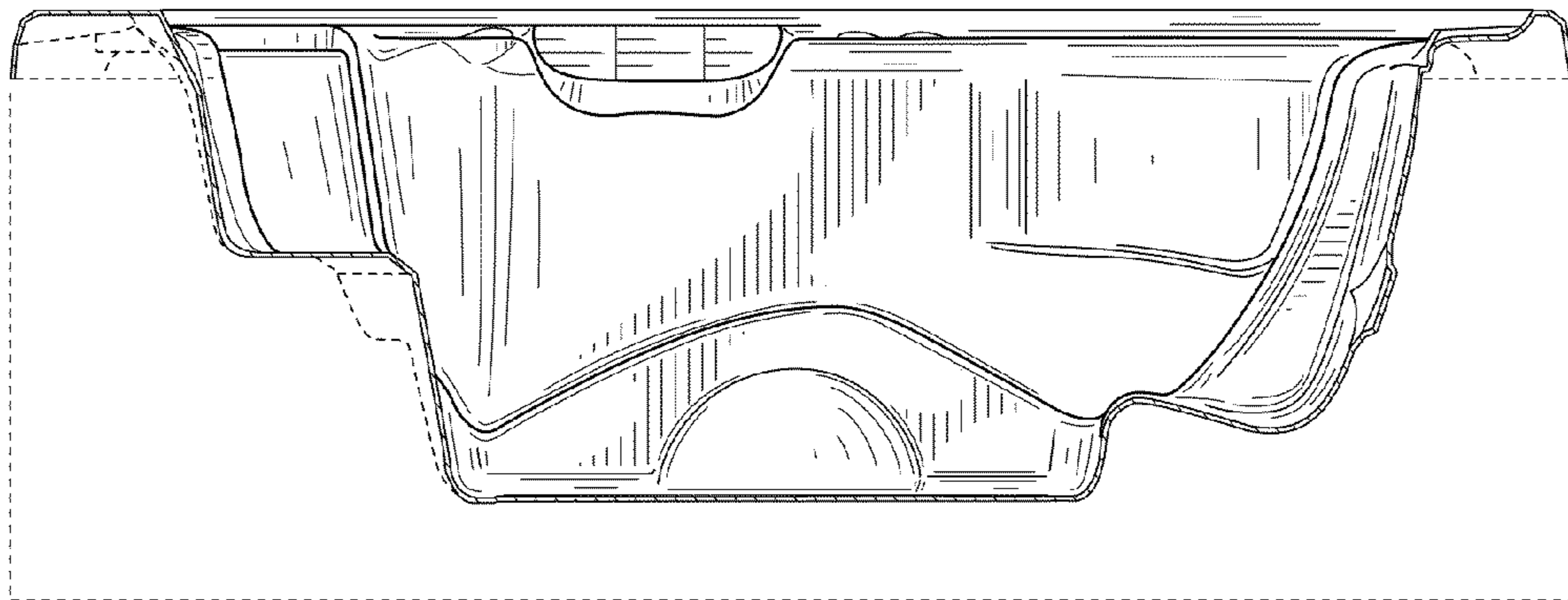


FIG. 4

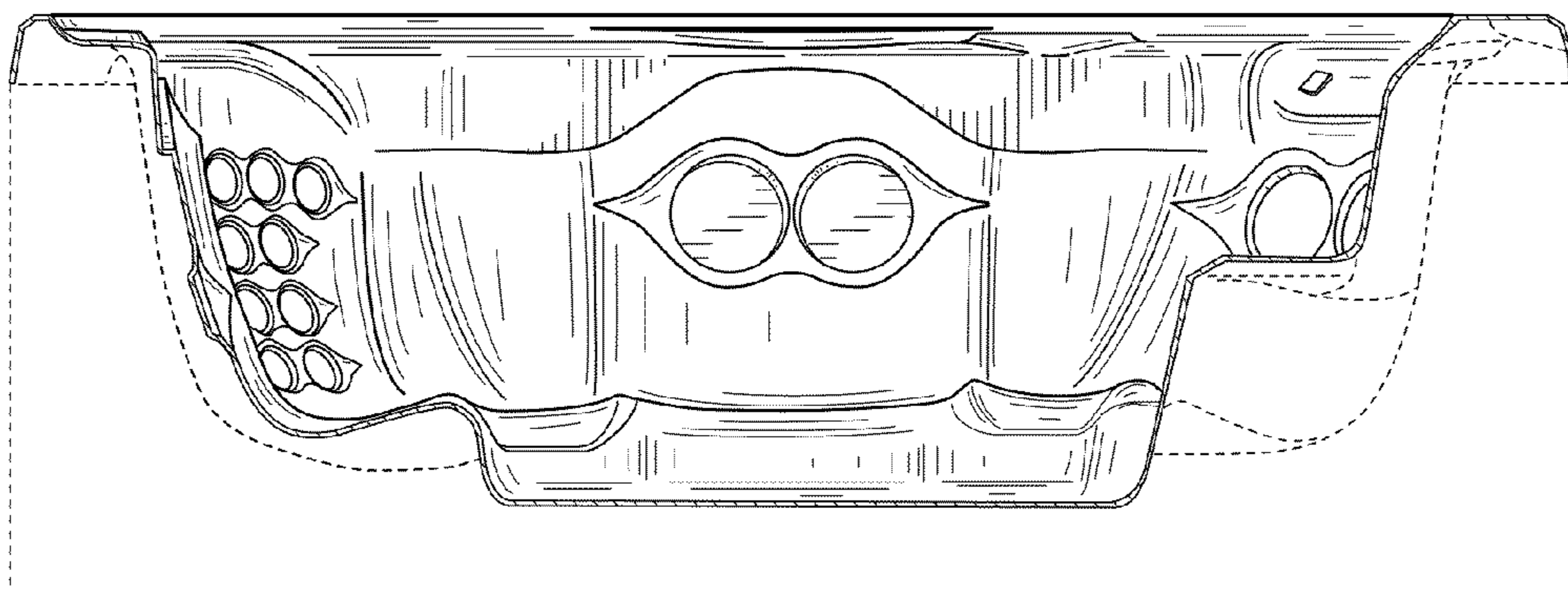


FIG. 5

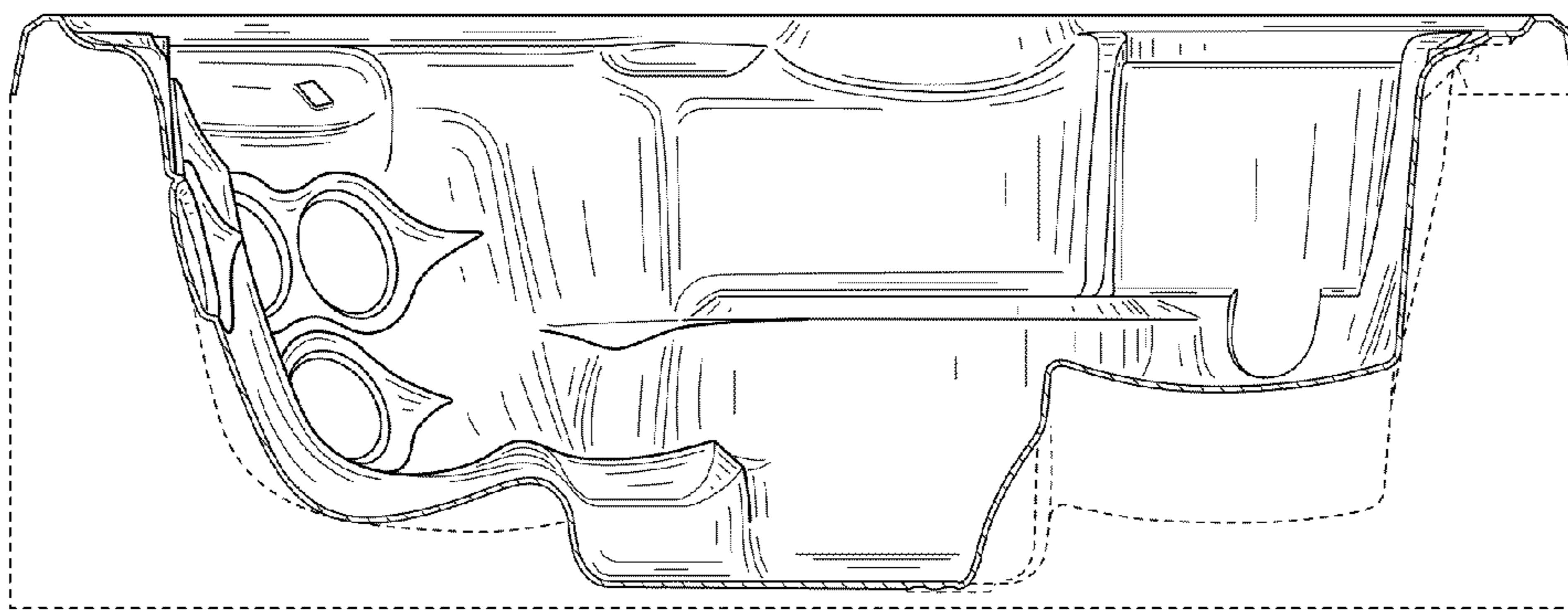


FIG. 6

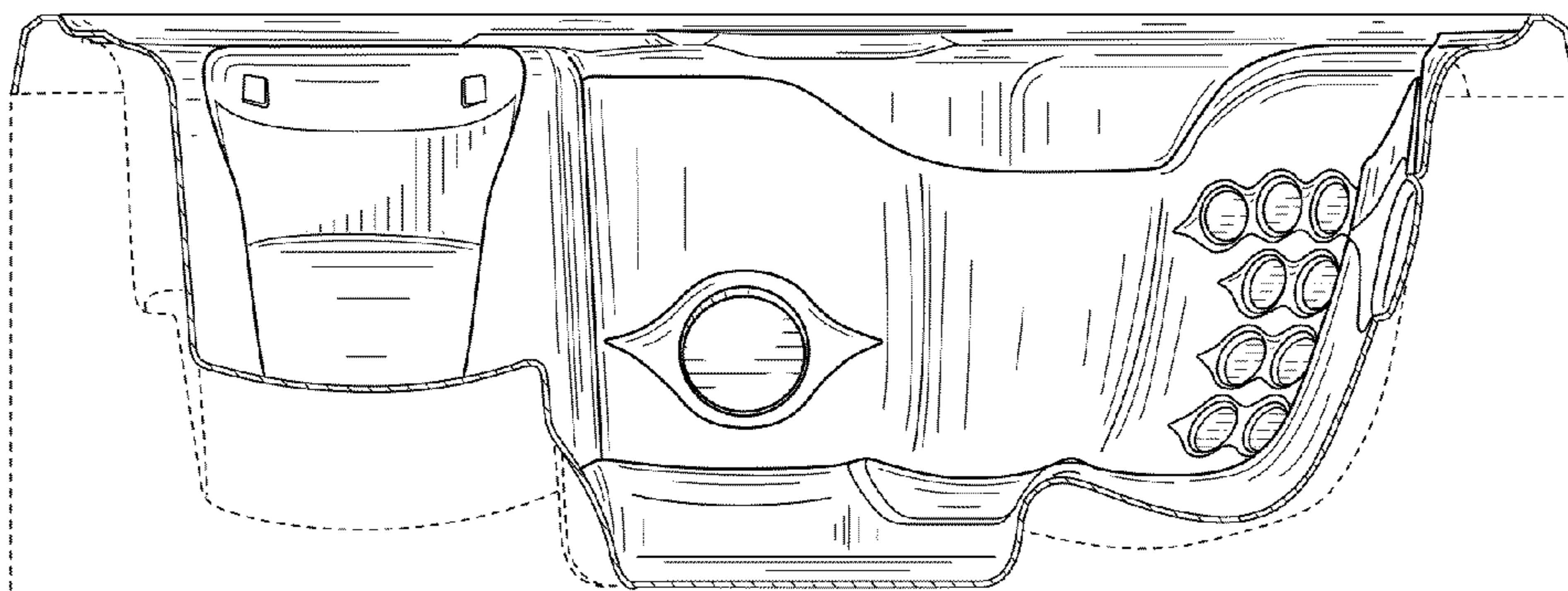


FIG. 7

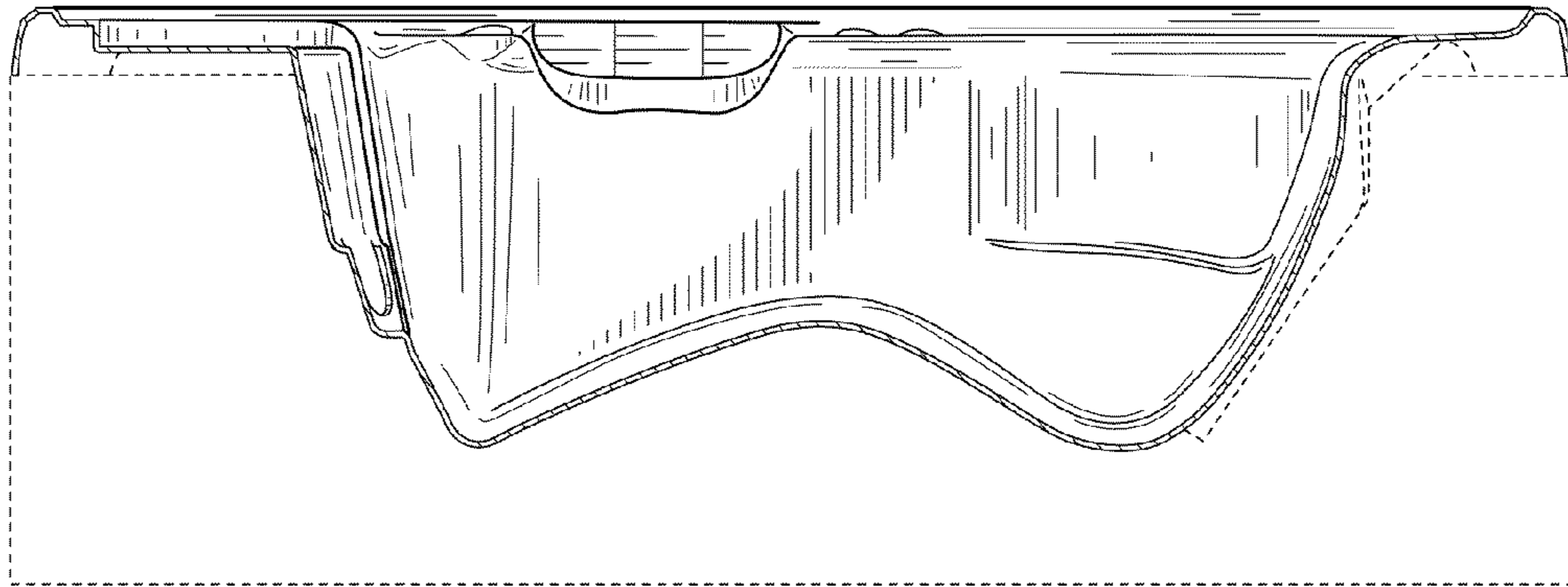


FIG. 8

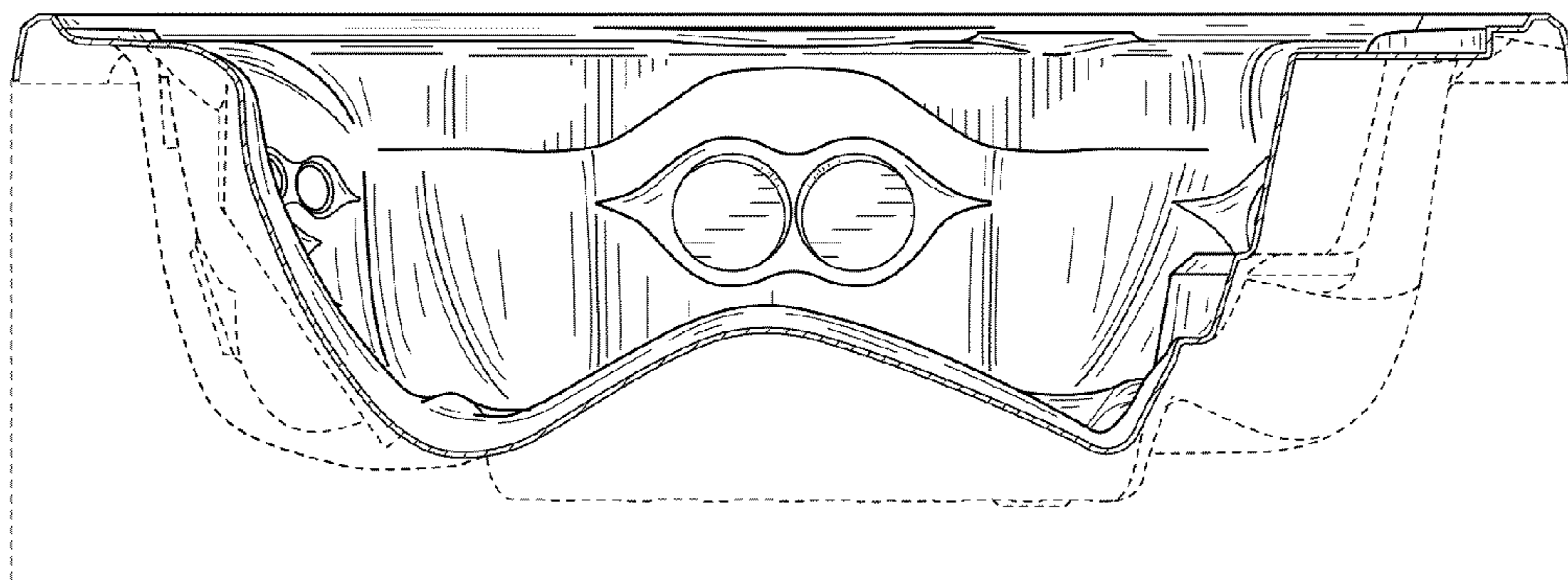


FIG. 9

UNITED STATES PATENT AND TRADEMARK OFFICE
CERTIFICATE OF CORRECTION

PATENT NO. : D726,328 S
APPLICATION NO. : 29/477490
DATED : April 7, 2015
INVENTOR(S) : Larsen et al.

Page 1 of 1

It is certified that error appears in the above-identified patent and that said Letters Patent is hereby corrected as shown below:

On the Title Page

Item [75], insert:

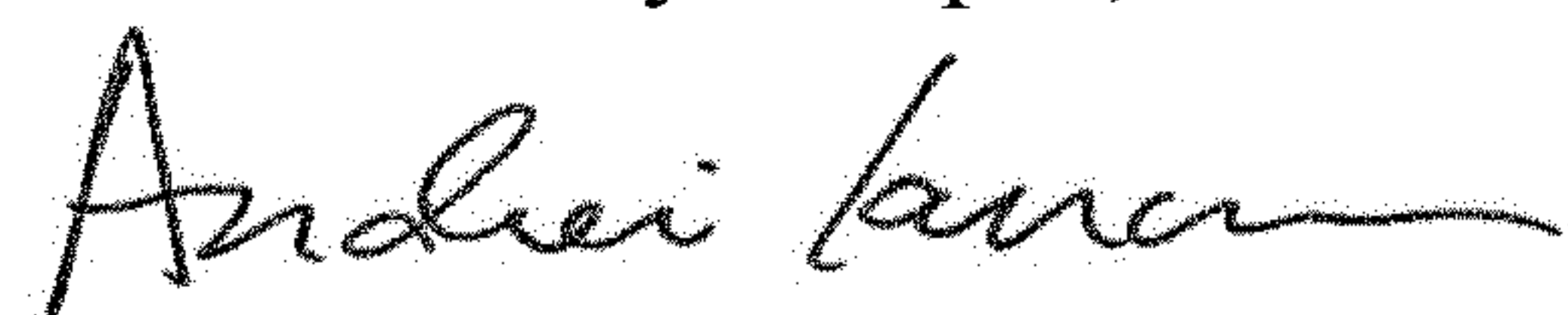
-- Fernando Pardo, Newbury Park, CA;

Tim Dze-How Chuang, Encino, CA;

Alexandra McGill, Los Angeles, CA;

Martti Johannes Lampela, Woodland Hills, CA --

Signed and Sealed this
Ninth Day of April, 2019



Andrei Iancu
Director of the United States Patent and Trademark Office