



US00D726324S

(12) **United States Design Patent**
Duncan et al.

(10) **Patent No.:** **US D726,324 S**
(45) **Date of Patent:** **** Apr. 7, 2015**

(54) **CONSOLE FOR DENTAL APPARATUS**

(71) Applicant: **Sonendo, Inc.**, Laguna Hills, CA (US)

(72) Inventors: **Matthew Duncan**, San Clemente, CA (US); **Steven Piorek**, Fountain Valley, CA (US); **Bjarne Bergheim**, Mission Viejo, CA (US); **Richard Cook**, North Tustin, CA (US); **George Puzichowski**, Laguna Niguel, CA (US)

(73) Assignee: **Sonendo, Inc.**, Laguna Hills, CA (US)

(**) Term: **14 Years**

(21) Appl. No.: **29/452,368**

(22) Filed: **Apr. 15, 2013**

(51) **LOC (10) Cl.** **24-01**

(52) **U.S. Cl.**
USPC **D24/177**

(58) **Field of Classification Search**
USPC D24/176-182, 186, 232, 234, 152;
D34/5-6; 433/49, 51, 53, 60-61,
433/77-78, 229, 82, 89

See application file for complete search history.

(56) **References Cited**

U.S. PATENT DOCUMENTS

D170,739	S	*	11/1953	Angell	D24/177
3,180,585	A	*	4/1965	Pusey et al.	D24/176
3,217,412	A	*	11/1965	Pascente	433/77
D212,949	S	*	12/1968	Weiss et al.	D24/177
D218,166	S	*	7/1970	Slouke	D24/177
D218,167	S	*	7/1970	Nielsen et al.	D24/177
3,597,033	A	*	8/1971	Slouka	D24/177
D224,536	S	*	8/1972	Gardella	D24/177
4,215,476	A		8/1980	Armstrong		
4,957,436	A		9/1990	Ryder		
5,029,576	A		7/1991	Evans, Sr.		
5,307,839	A		5/1994	Loebker et al.		

D351,911	S	*	10/1994	Myers	D24/177
D366,318	S	*	1/1996	Lukac et al.	D24/177
5,655,905	A	*	8/1997	Jaimes et al.	433/77
D555,792	S	*	11/2007	Haymann et al.	D24/177

OTHER PUBLICATIONS

Hydrocision Products: SpineJet Hydrosurgery; system webpage in 2 pages, copyright 2010, downloaded from <http://www.hydrocision.com> on Apr. 22, 2010.

(Continued)

Primary Examiner — Wan Laymon

(74) *Attorney, Agent, or Firm* — Knobbe, Martens, Olson & Bear LLP

(57) **CLAIM**

The ornamental designs for a console for a dental apparatus, as shown and described.

DESCRIPTION

FIG. 1 is a front, top, right side perspective view of a console for a dental apparatus in accordance with a preferred embodiment of the present design.

FIG. 2 is a rear, bottom, left side perspective view of the console shown in FIG. 1.

FIG. 3 is a front side plan view of the console shown in FIG. 1.

FIG. 4 is a rear side plan view of the console shown in FIG. 1.

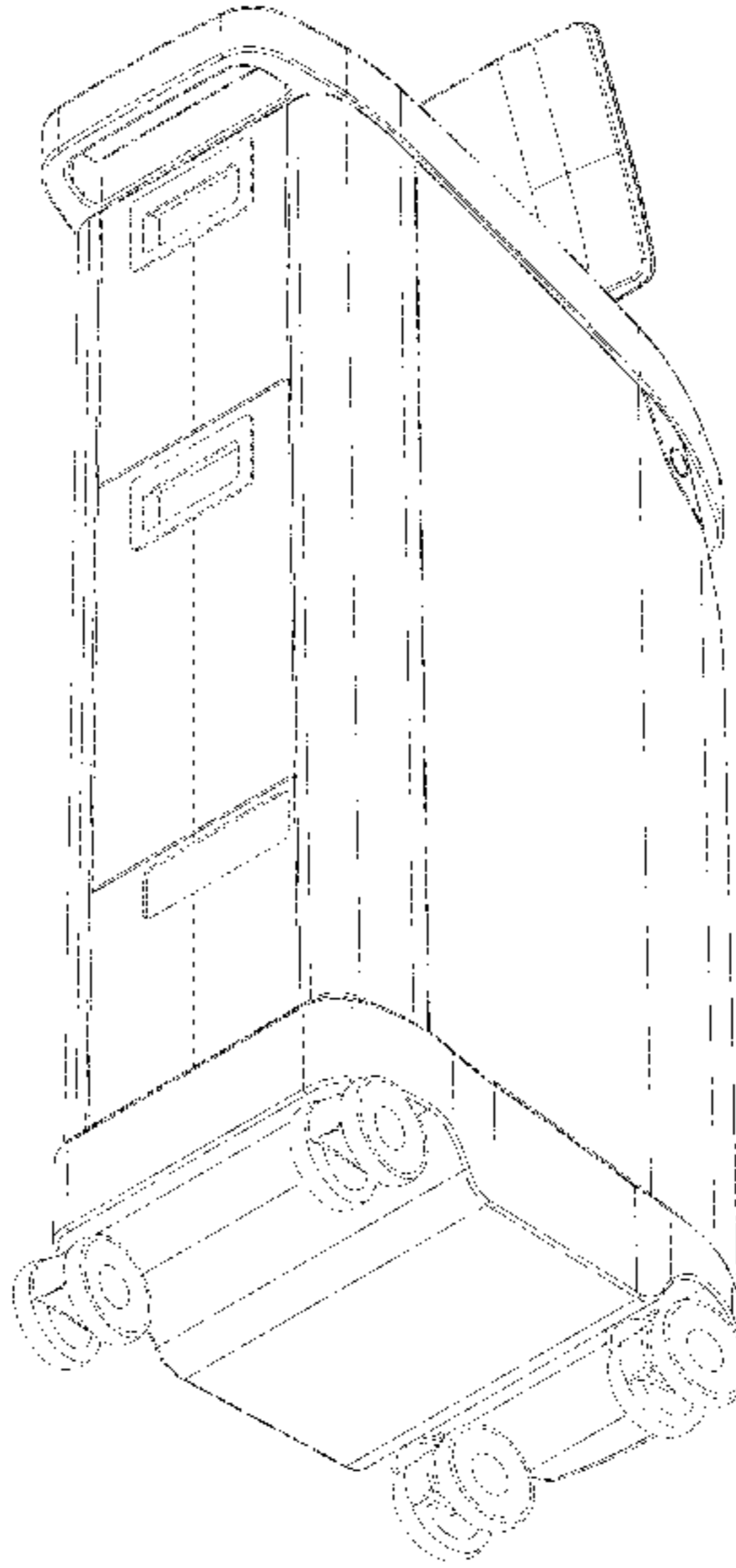
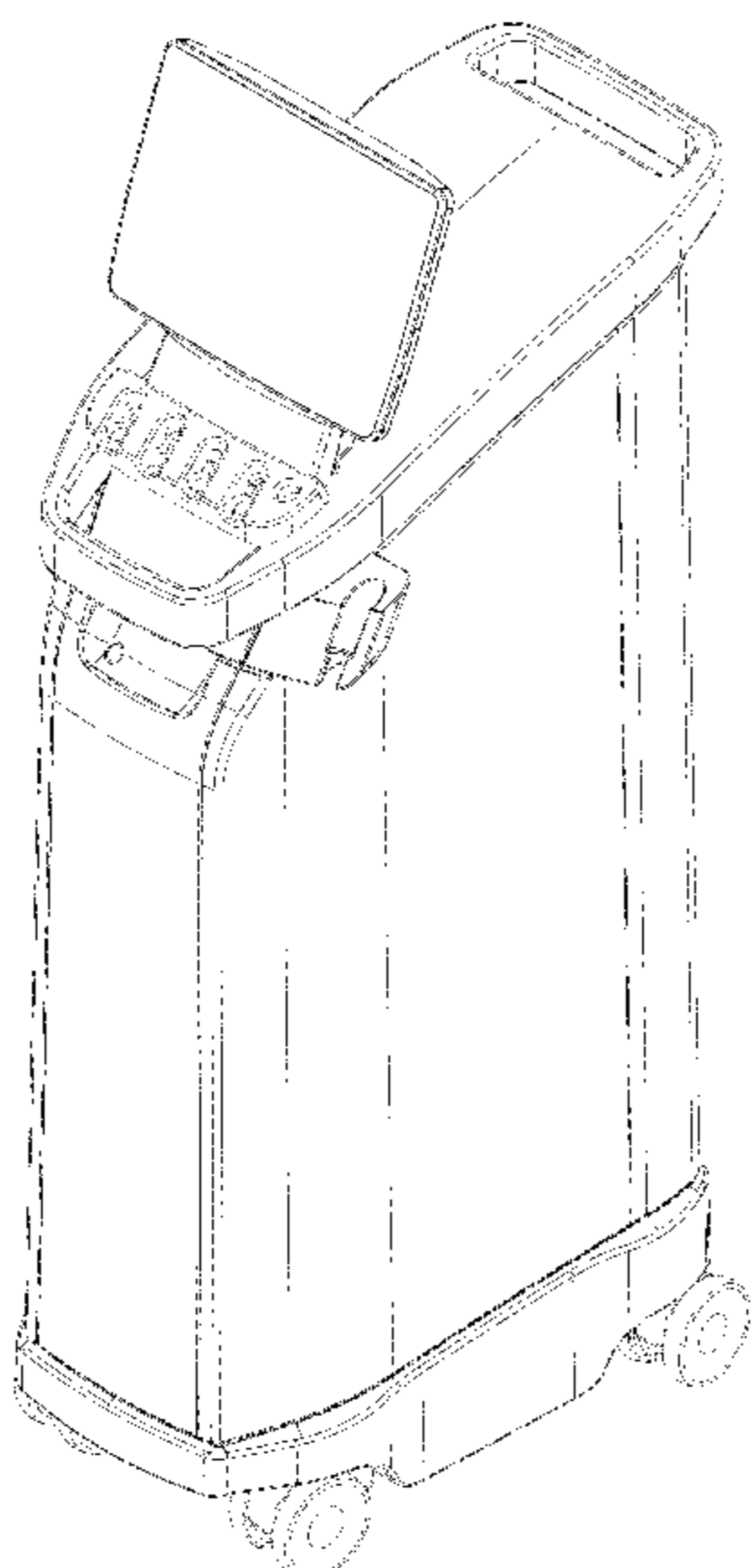
FIG. 5 is a right side plan view of the console shown in FIG. 1.

FIG. 6 is a left side plan view of the console shown in FIG. 1.

FIG. 7 is a top plan view of the console shown in FIG. 1; and, FIG. 8 is a bottom plan view of the console shown in FIG. 1.

In the drawings, the shading shows contours and the broken lines shown in the figures represent portions of the console for dental apparatus that form no part of the claimed design.

1 Claim, 7 Drawing Sheets



(56)

References Cited

OTHER PUBLICATIONS

Hydrocision SpineJet XL HydroSurgery System; Brochure in 2 pages, copyright 2004-2006, downloaded from <http://www.hydrocision.com> on Apr. 22, 2010.

Piezon Master 600 Ultrasound a la carte, EMS Electro Medical Systems, EMS SA FA-319.EN ed. Mar. 2009', Brochure dated Mar. 2009, in 2 pages.

* cited by examiner

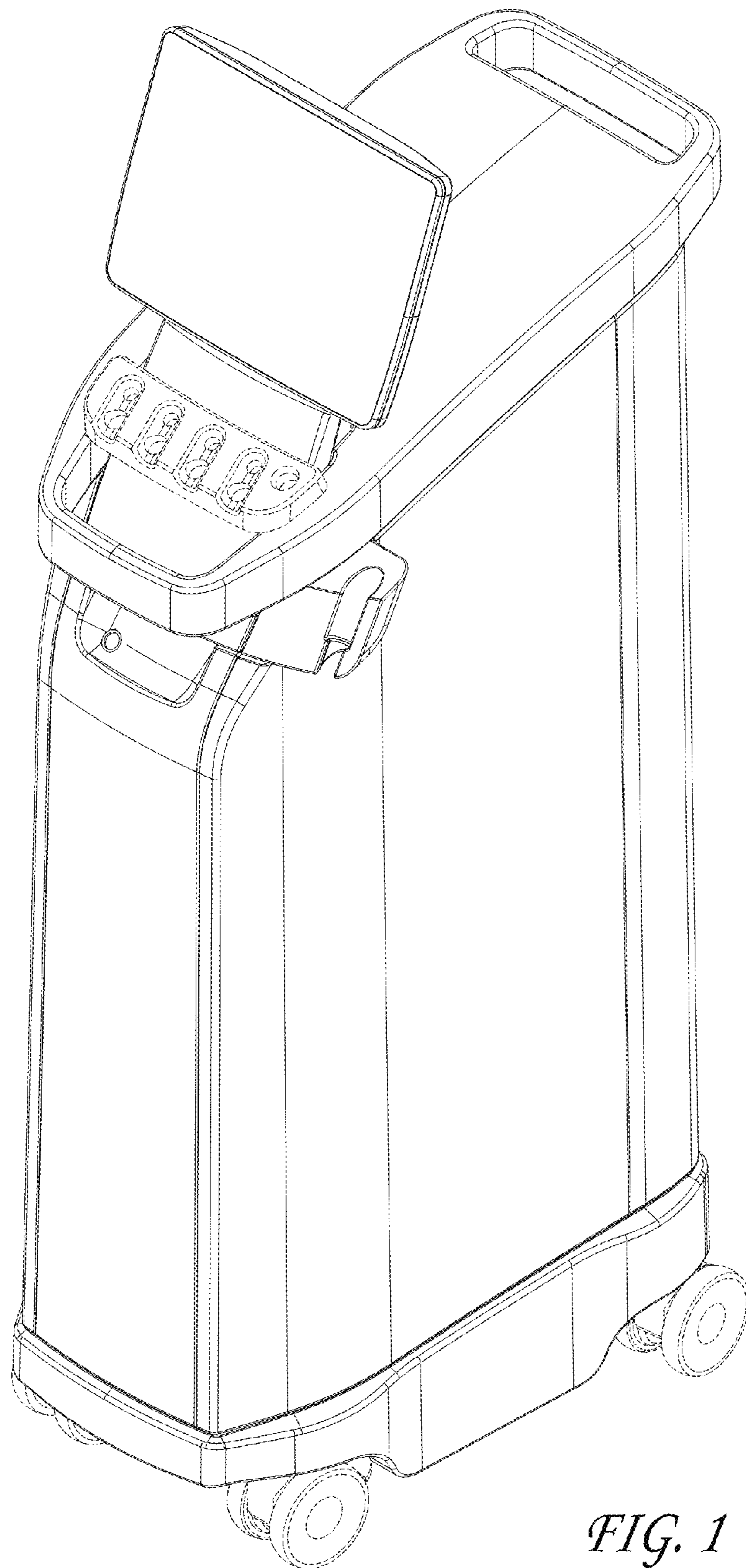


FIG. 1



FIG. 2

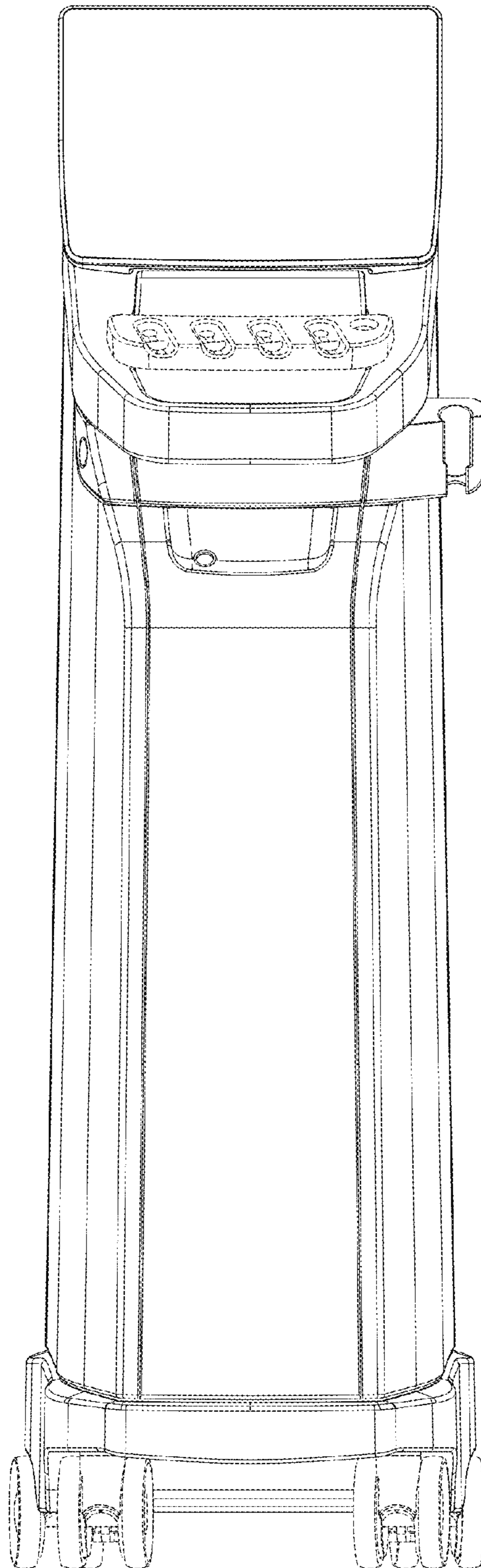


FIG. 3

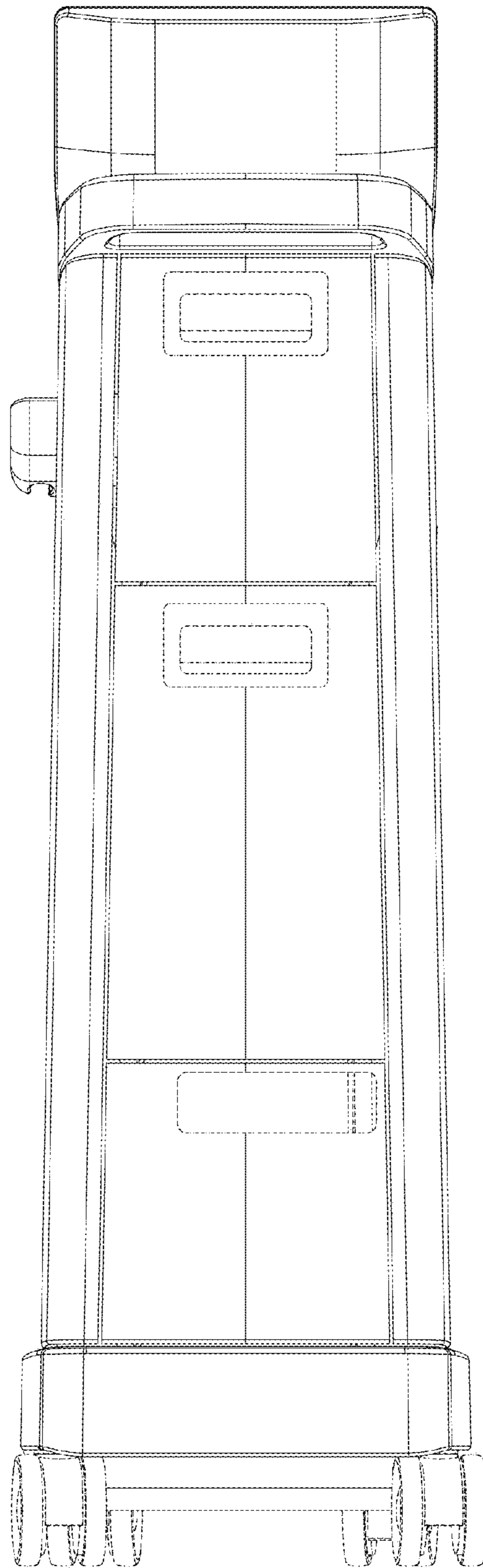


FIG. 4

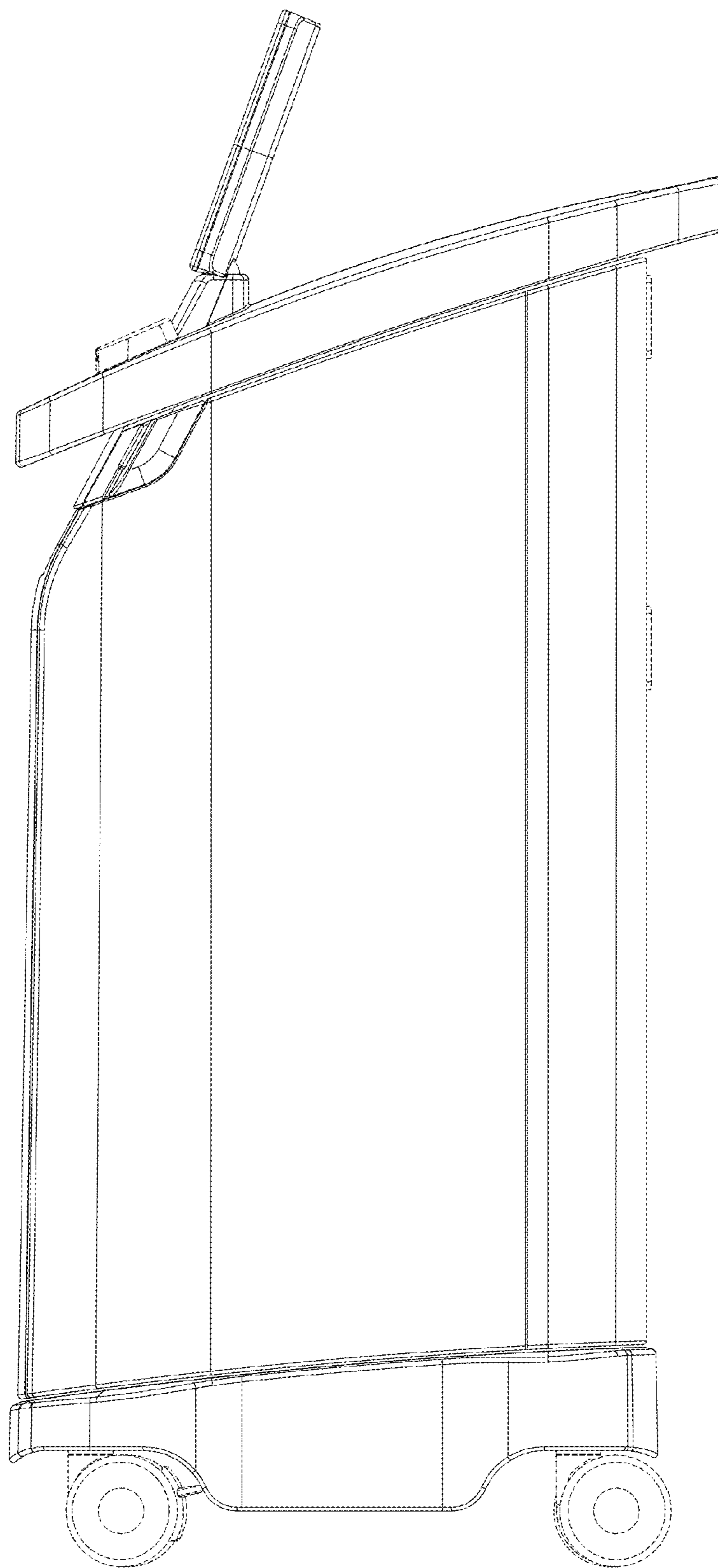


FIG. 5

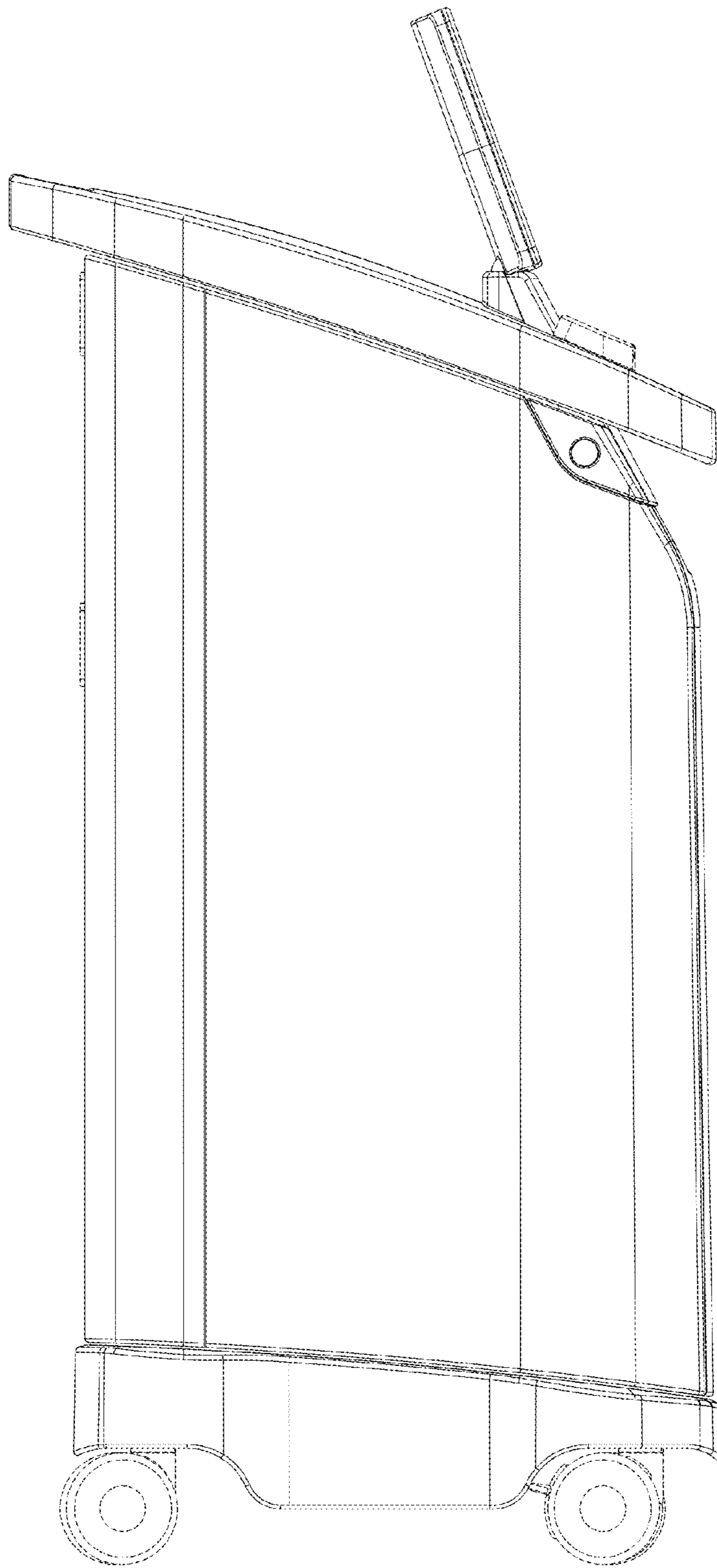


FIG. 6

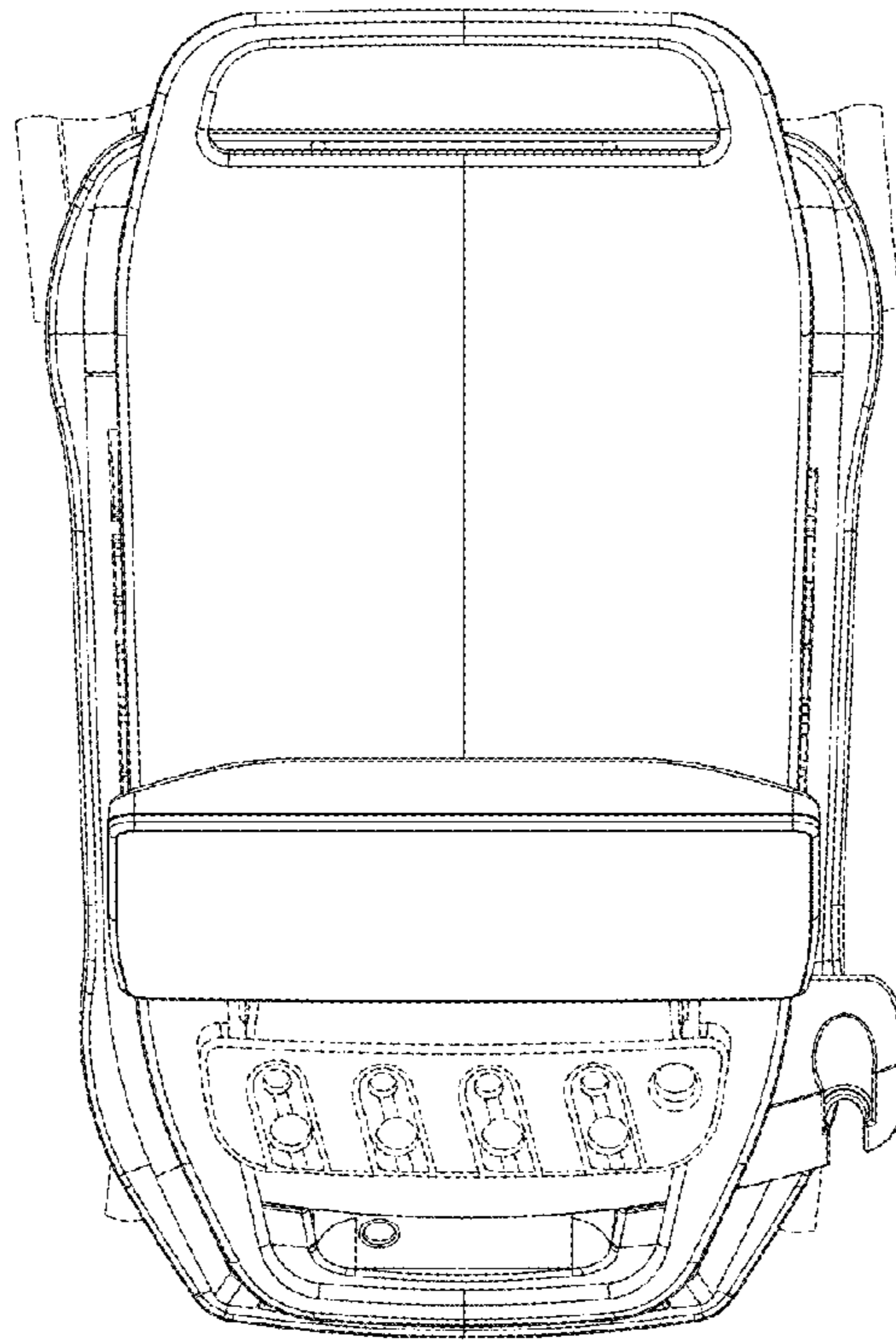


FIG. 7

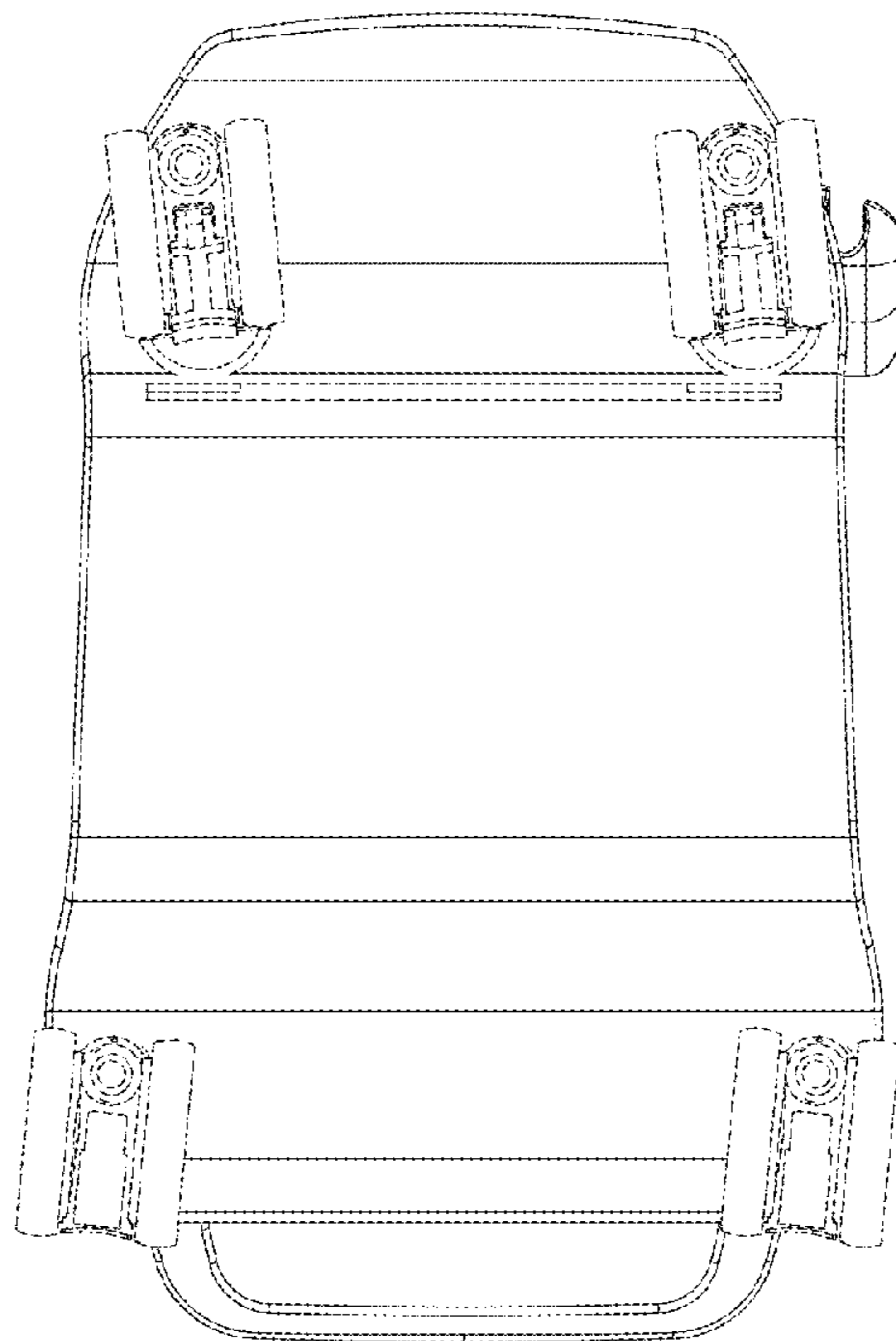


FIG. 8