



US00D726323S

(12) **United States Design Patent**
Peuker et al.

(10) **Patent No.:** **US D726,323 S**

(45) **Date of Patent:** **** Apr. 7, 2015**

(54) **DENTAL INSTRUMENT**

(56) **References Cited**

(71) Applicant: **3M Innovative Properties Company**,
St. Paul, MN (US)

U.S. PATENT DOCUMENTS

(72) Inventors: **Marc Peuker**, Schöndorf (DE); **Helmut Pauser**, Diessen (DE); **Stefan Eckstein**,
Munich (DE)

D307,051	S	*	4/1990	Denny et al.	D24/221
D315,956	S	*	4/1991	Dragan	D24/112
5,100,320	A	*	3/1992	Martin et al.	433/90
5,624,260	A	*	4/1997	Wilcox et al.	433/90
5,848,894	A	*	12/1998	Rogers	433/90
2005/0056970	A1	*	3/2005	Foust	264/482
2006/0286503	A1	*	12/2006	Mark	433/90
2014/0106299	A1	*	4/2014	Walter et al.	433/90

(73) Assignee: **3M Innovative Properties Company**,
St. Paul, MN (US)

* cited by examiner

(**) Term: **14 Years**

Primary Examiner — Wan Laymon

(21) Appl. No.: **29/458,247**

(57) **CLAIM**

The ornamental design for a dental instrument, as shown and described.

(22) Filed: **Jun. 18, 2013**

DESCRIPTION

(30) **Foreign Application Priority Data**

Dec. 18, 2012 (EM) 1355044

(51) **LOC (10) Cl.** **24-02**

(52) **U.S. Cl.**
USPC **D24/176**

(58) **Field of Classification Search**
USPC D24/152, 155–156, 176–182, 112, 221;
D9/696; 433/80, 89–90; 206/63.5, 219,
206/368, 524.6

FIG. 1 is a perspective view of one embodiment of a new design for a dental instrument.

FIG. 2 is a front view thereof;

FIG. 3 is a right side view thereof;

FIG. 4 is a rear view thereof;

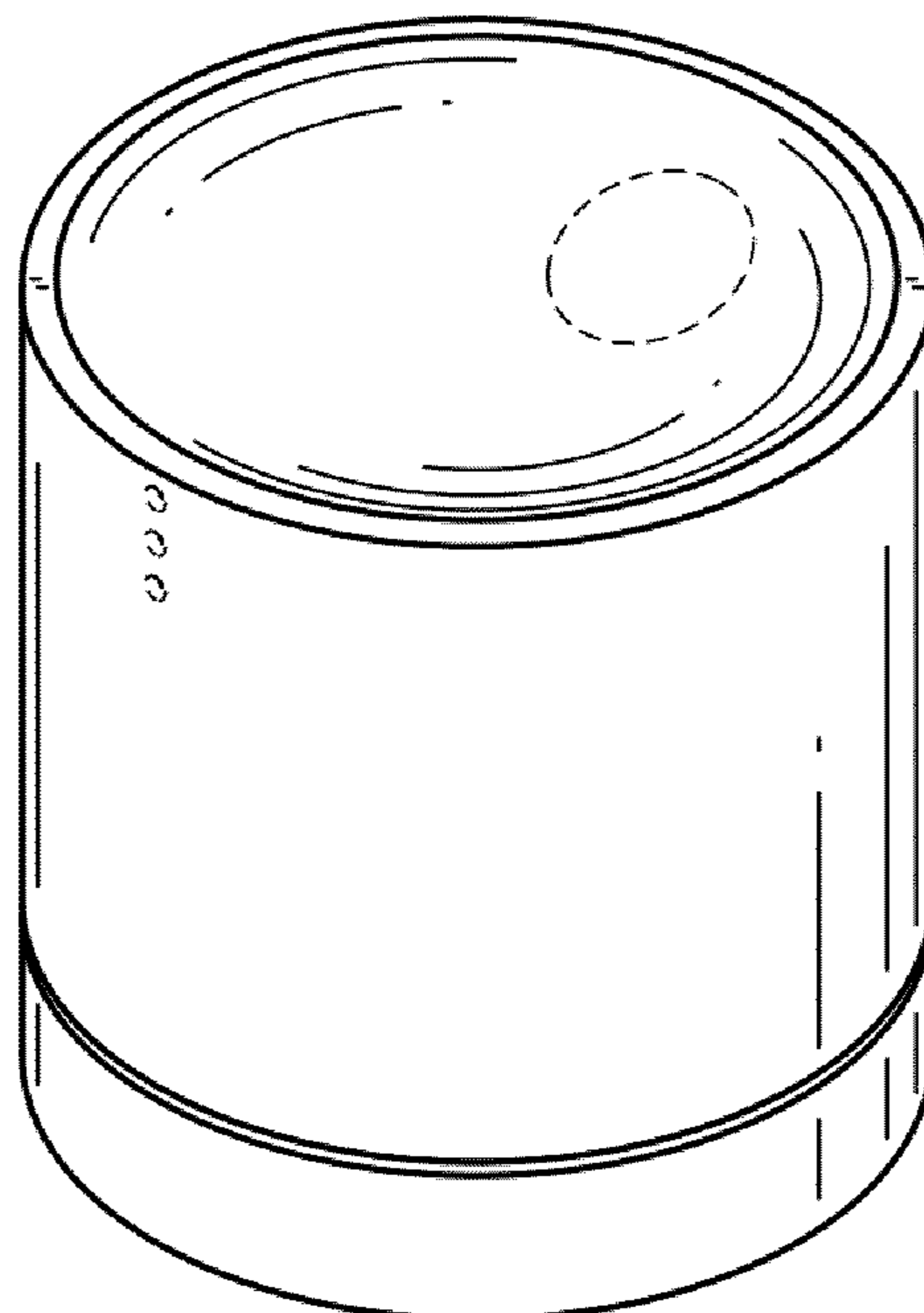
FIG. 5 is a bottom view thereof; and,

FIG. 6 is a top view thereof.

The broken lines shown in the figures represent portions of the dental instrument that form no part of the claimed design. In addition, the surface shading illustrated in the drawings is provided merely to highlight contour of design; it is not intended to be illustrative of texture or gloss.

See application file for complete search history.

1 Claim, 2 Drawing Sheets



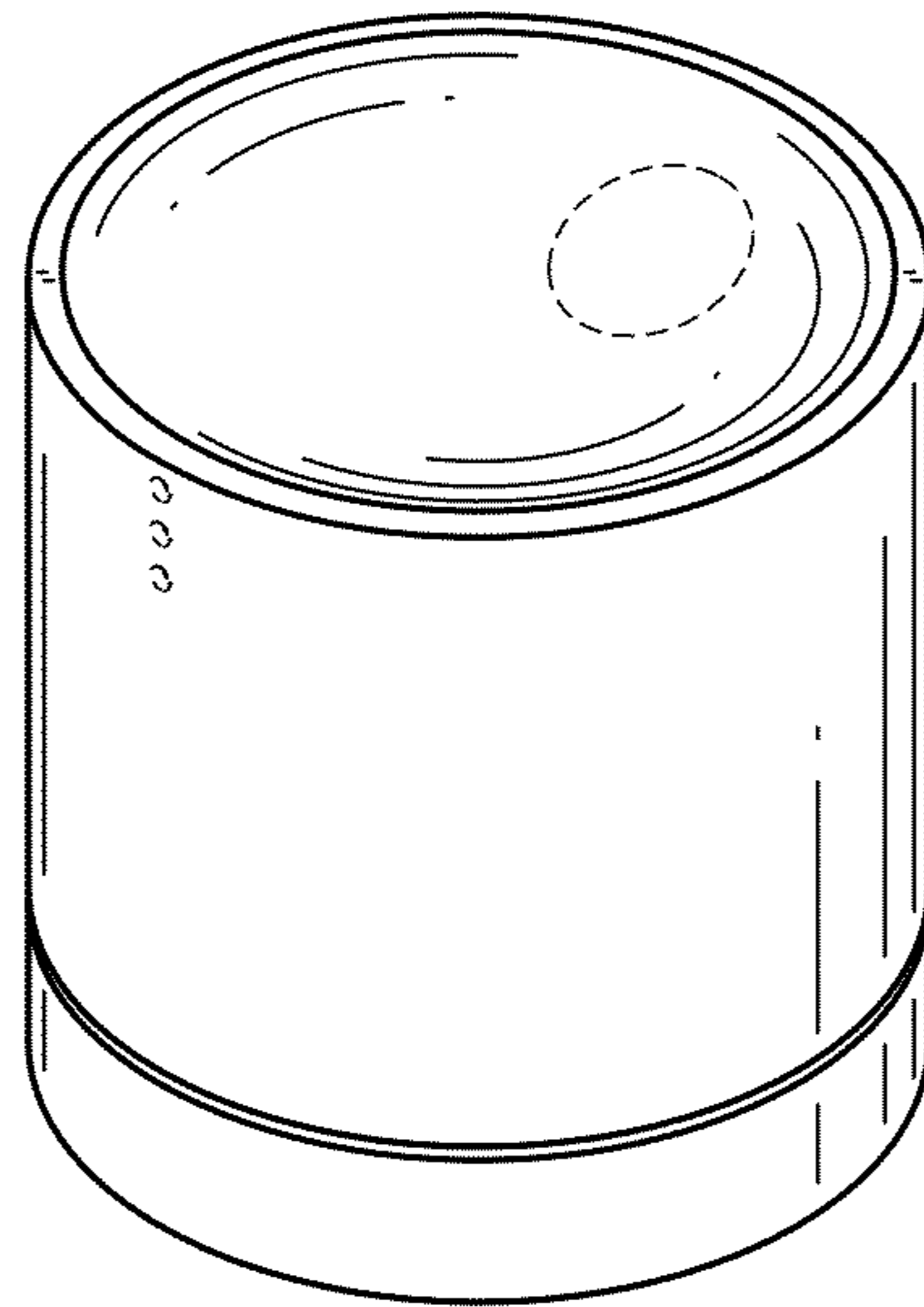


FIG. 1

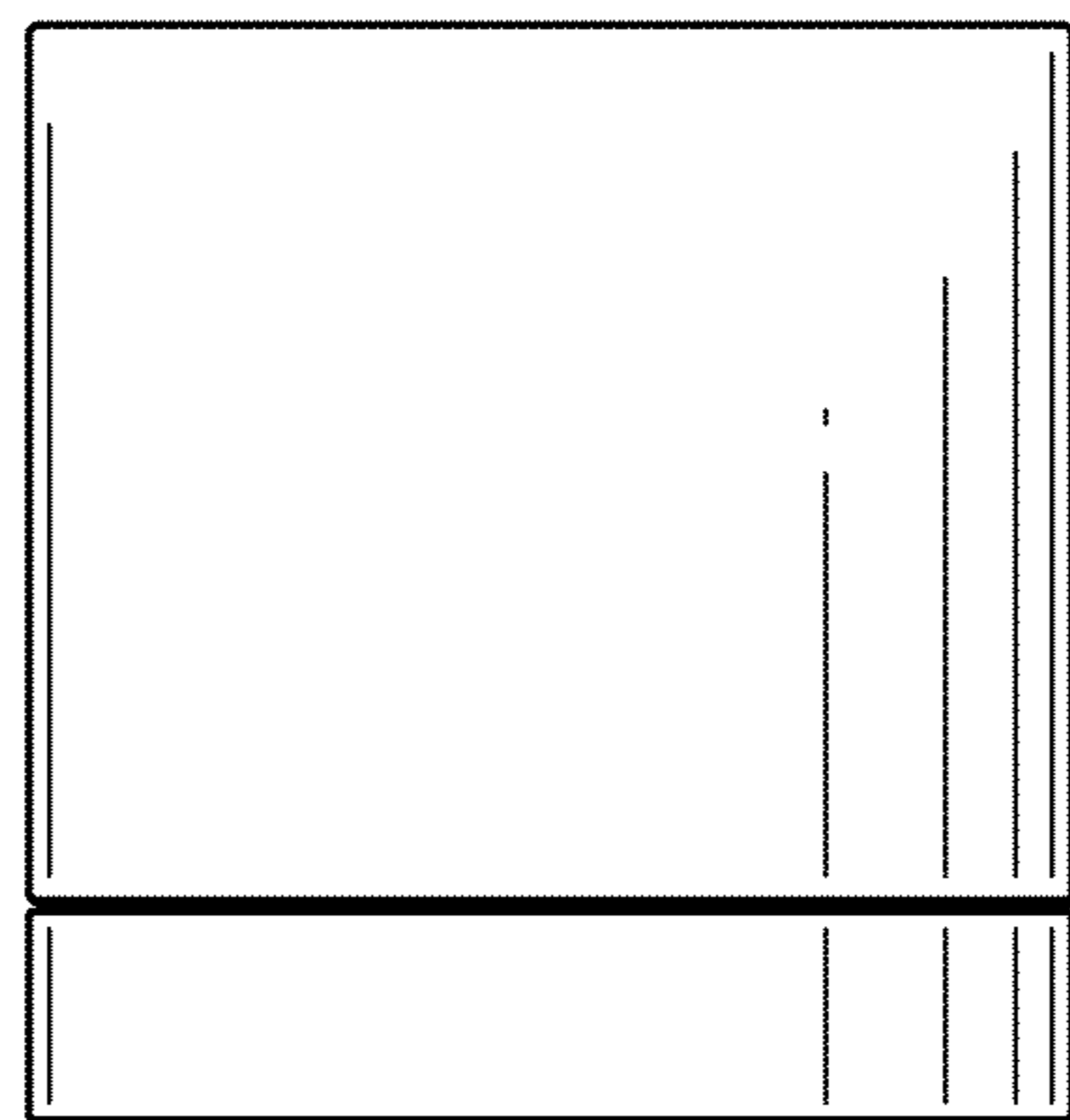


FIG. 2

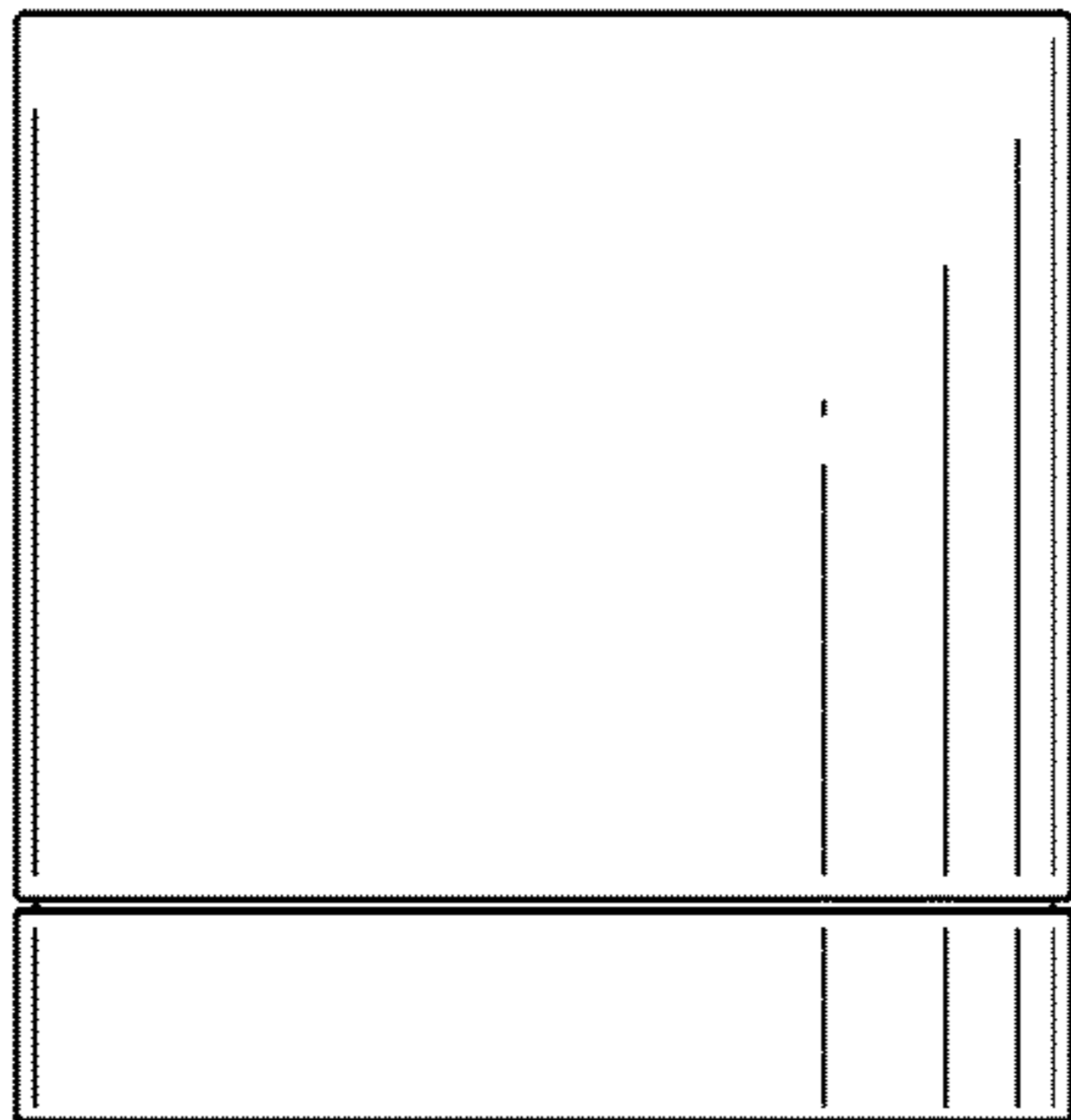


FIG. 3

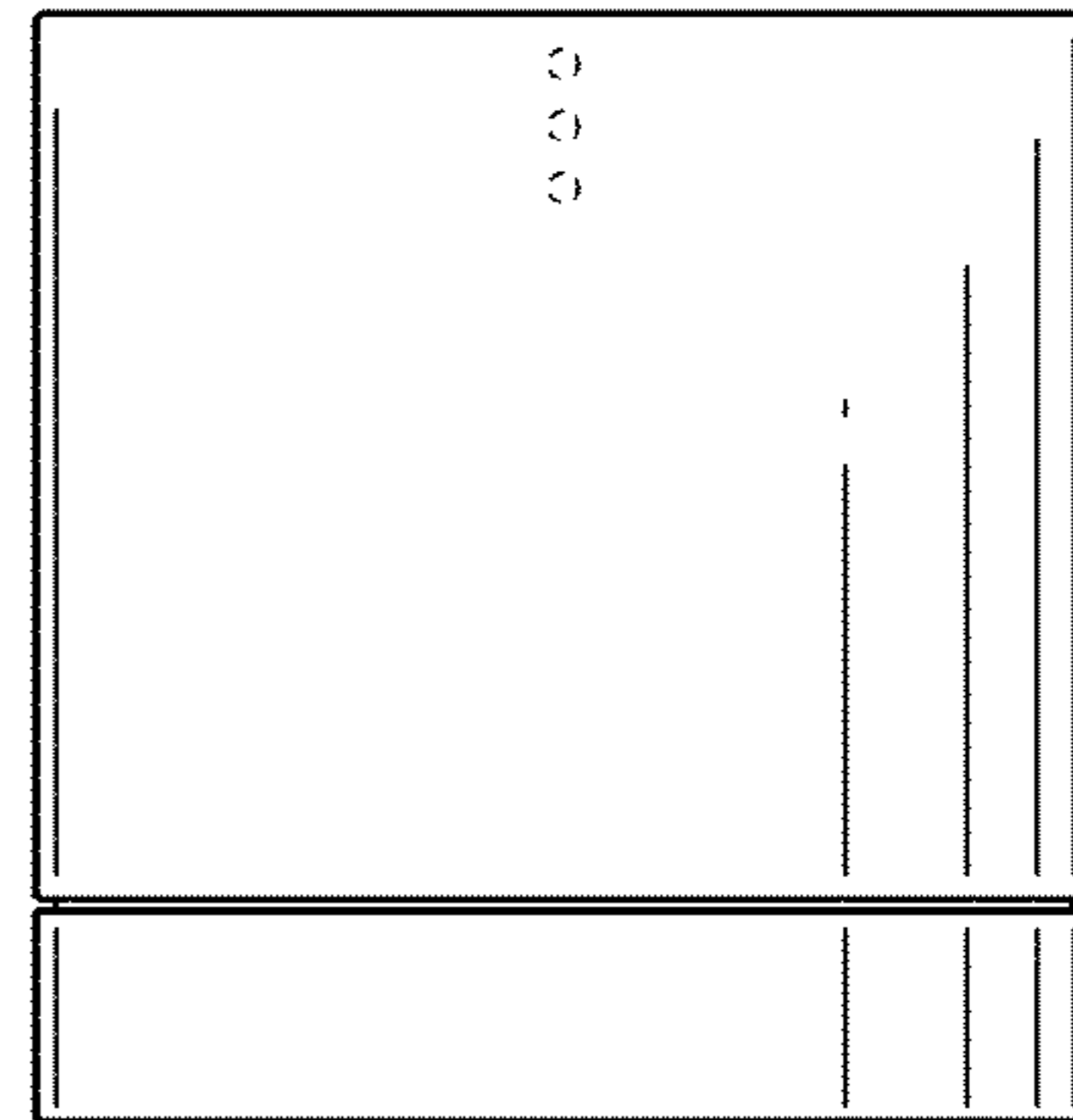


FIG. 4

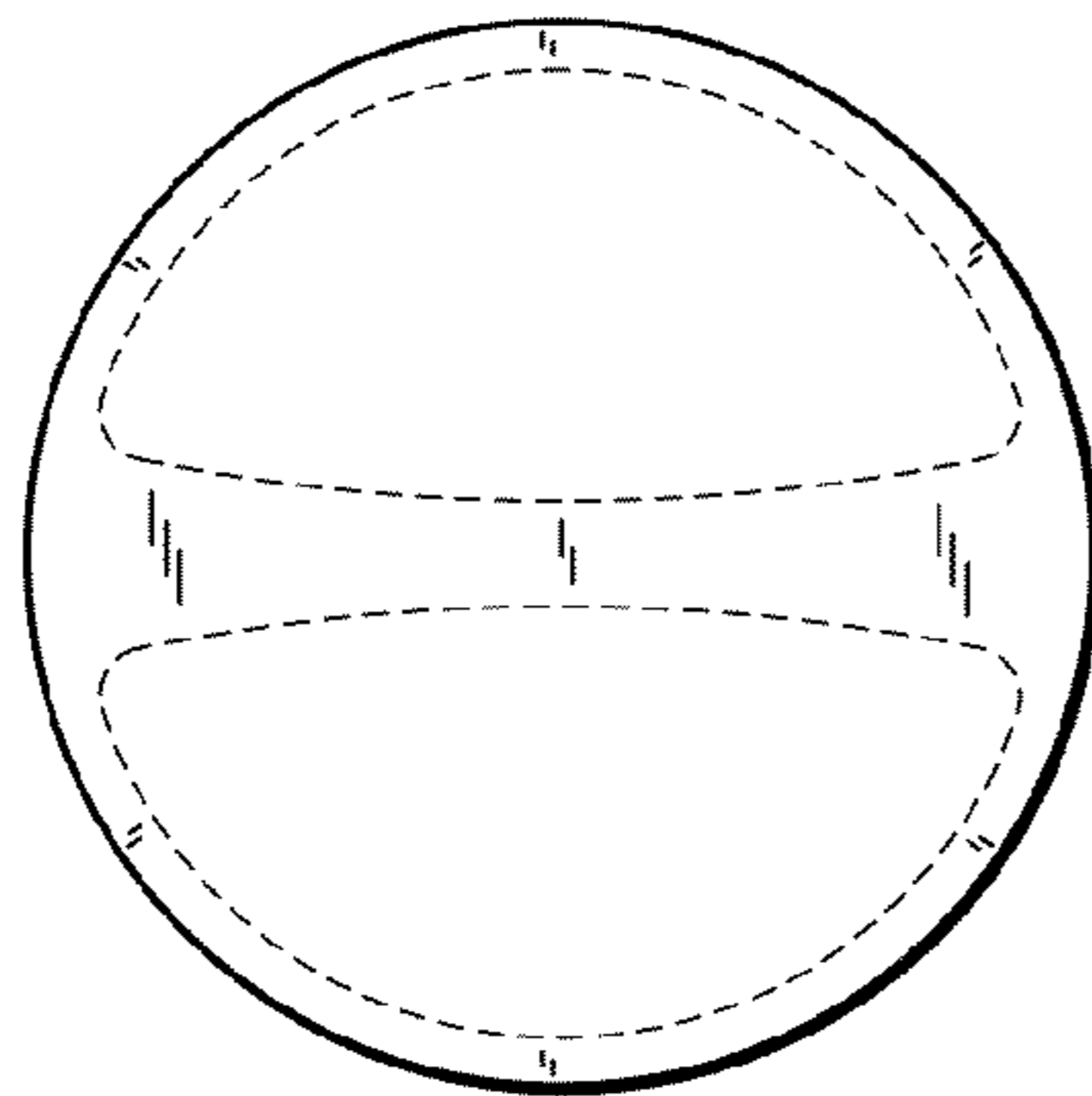


FIG. 5

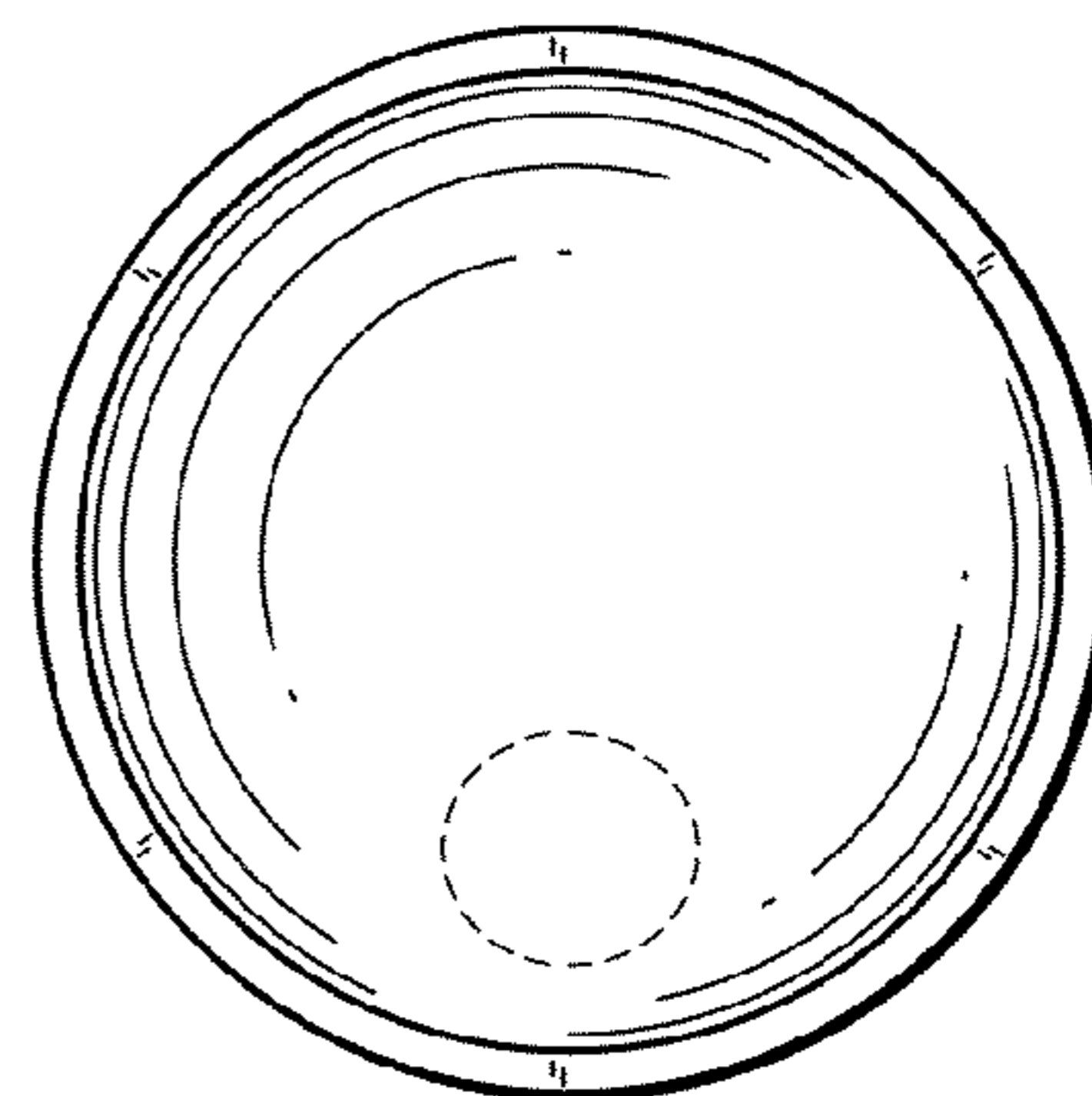


FIG. 6