



US00D726319S

(12) **United States Design Patent**
Sul et al.

(10) **Patent No.:** **US D726,319 S**
(45) **Date of Patent:** **** Apr. 7, 2015**

(54) **TABLE FOR MAGNETIC RESONANCE IMAGING (MRI)**

(71) Applicant: **Samsung Electronics Co., Ltd.**,
Suwon-si (KR)
(72) Inventors: **Sung-Woo Sul**, Yongin-si (KR); **Yun-Su Kim**, Seoul (KR); **Jung-Hoon Kim**, Seoul (KR); **Jin-Soo Park**, Seoul (KR); **Yeon-Moo Chung**, Seoul (KR)

(73) Assignee: **Samsung Electronics Co., Ltd.**,
Suwon-si (KR)

(**) Term: **14 Years**

(21) Appl. No.: **29/471,631**

(22) Filed: **Nov. 4, 2013**

(30) **Foreign Application Priority Data**

May 9, 2013 (KR) 30-2013-0024536

(51) **LOC (10) Cl.** **24-01**

(52) **U.S. Cl.**
USPC **D24/159**

(58) **Field of Classification Search**
USPC D24/158–161, 185, 186, 183, 184;
378/4, 15, 17, 21, 23–27, 62, 68,
378/196–198, 209; 600/407, 409, 410, 415,
600/421, 422, 425; 5/601, 607
See application file for complete search history.

(56) **References Cited**

U.S. PATENT DOCUMENTS

D462,445	S	*	9/2002	Barde et al.	D24/183
D527,459	S	*	8/2006	Gireesh	D24/183
D553,246	S	*	10/2007	Banryu	D24/183
D630,330	S	*	1/2011	Baba	D24/159
D669,990	S	*	10/2012	Degruytere	D24/158
D681,208	S	*	4/2013	Ninomiya et al.	D24/159
D701,605	S	*	3/2014	Ohmukai	D24/183
2014/0053333	A1	*	2/2014	Krieg et al.	5/601

* cited by examiner

Primary Examiner — Anhdao Doan

(74) *Attorney, Agent, or Firm* — NSIP Law

(57) **CLAIM**

The ornamental design for a table for magnetic resonance imaging (MRI), as shown and described.

DESCRIPTION

FIG. 1 is a front perspective view of a table for magnetic resonance imaging (MRI) showing our new design; FIG. 2 is a front view thereof; FIG. 3 is a rear view thereof; FIG. 4 is a left-side view thereof; FIG. 5 is a right-side view thereof; FIG. 6 is a top view thereof; FIG. 7 is a bottom view thereof; and, FIG. 8 is another perspective view of the table for magnetic resonance imaging (MRI) in which a scanner for magnetic resonance imaging (MRI) is provided in broken lines to illustrate an example environment. The broken lines are for environmental purposes only and form no part of the claimed design.

1 Claim, 5 Drawing Sheets

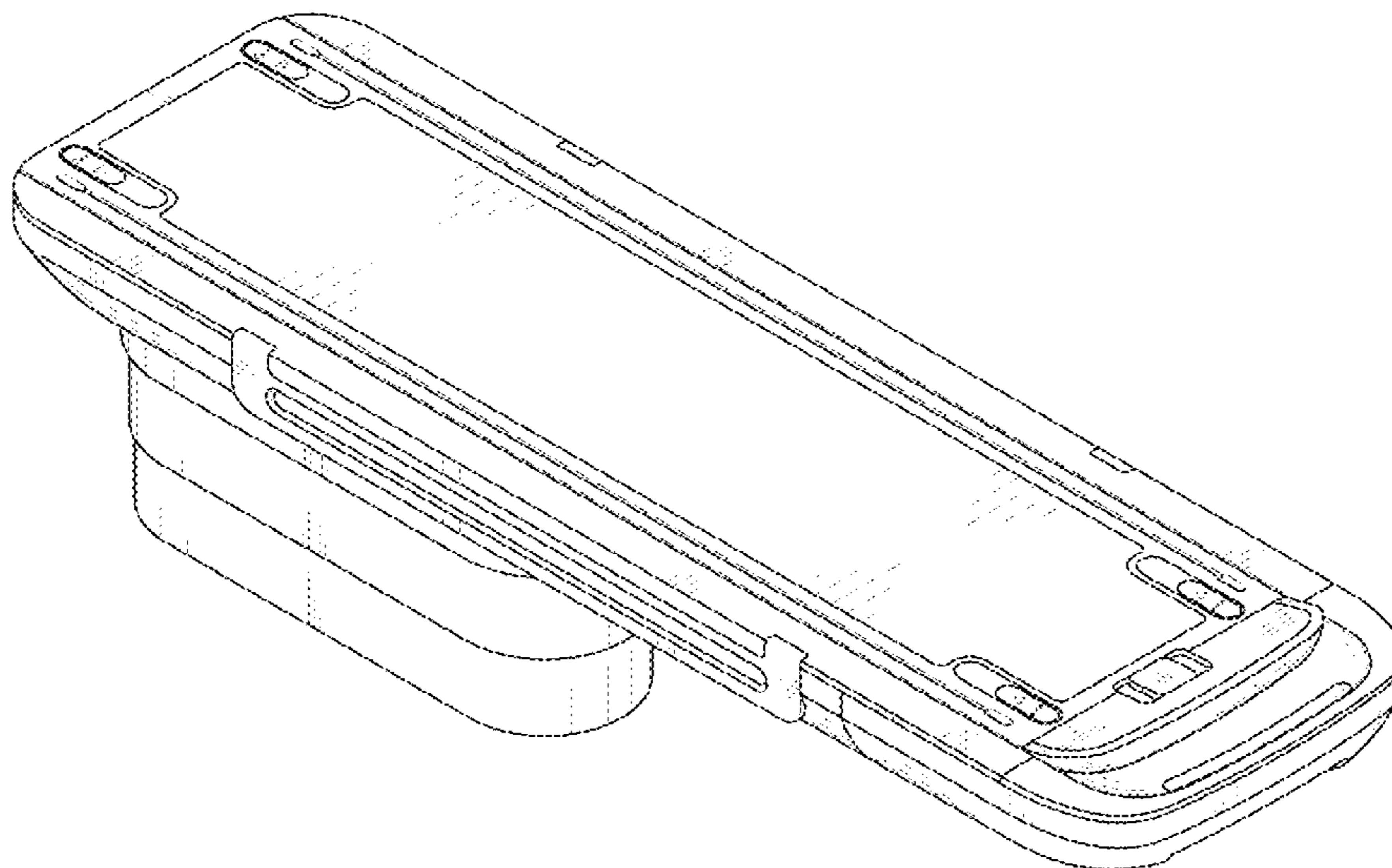


FIG. 1

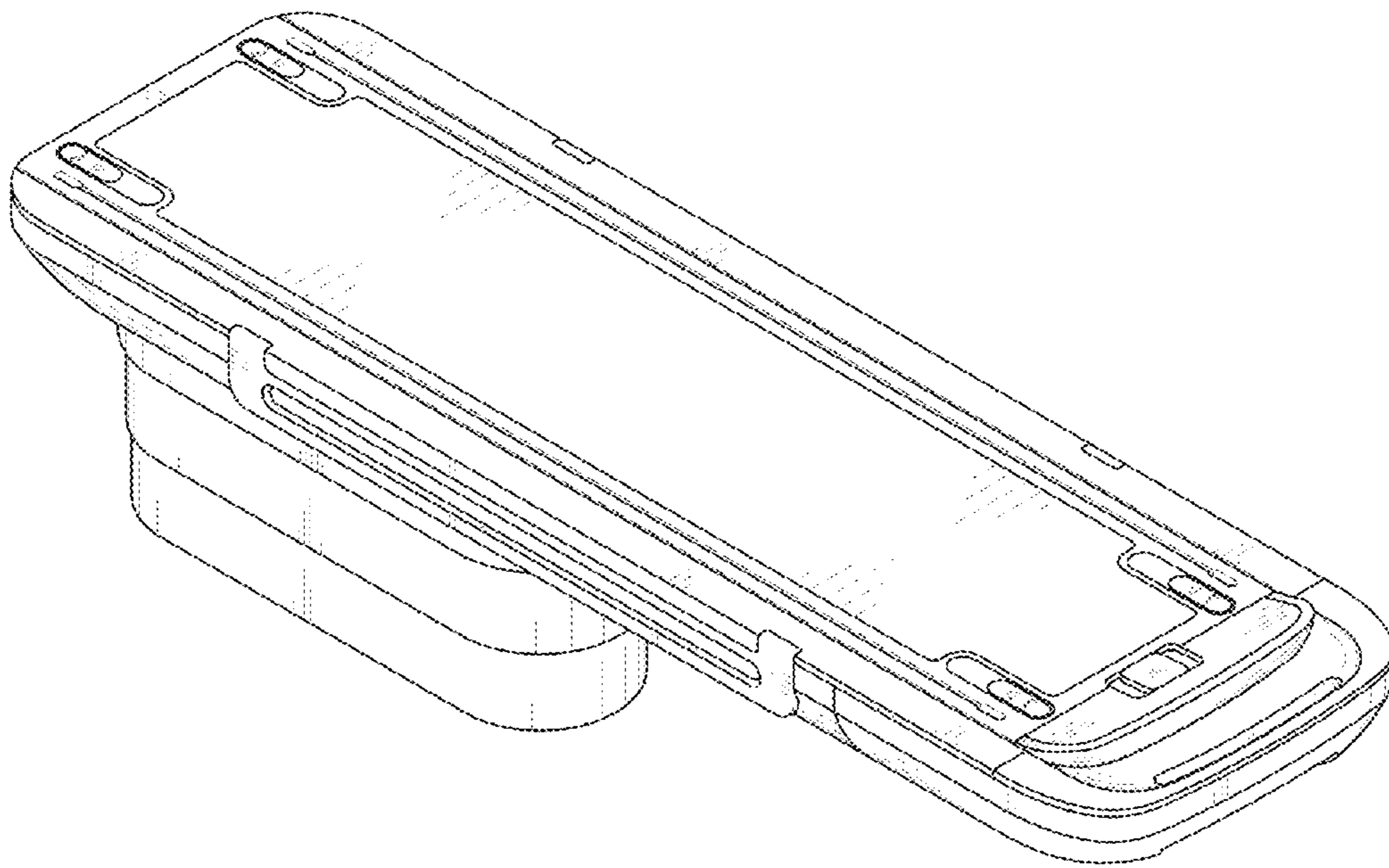


FIG.2

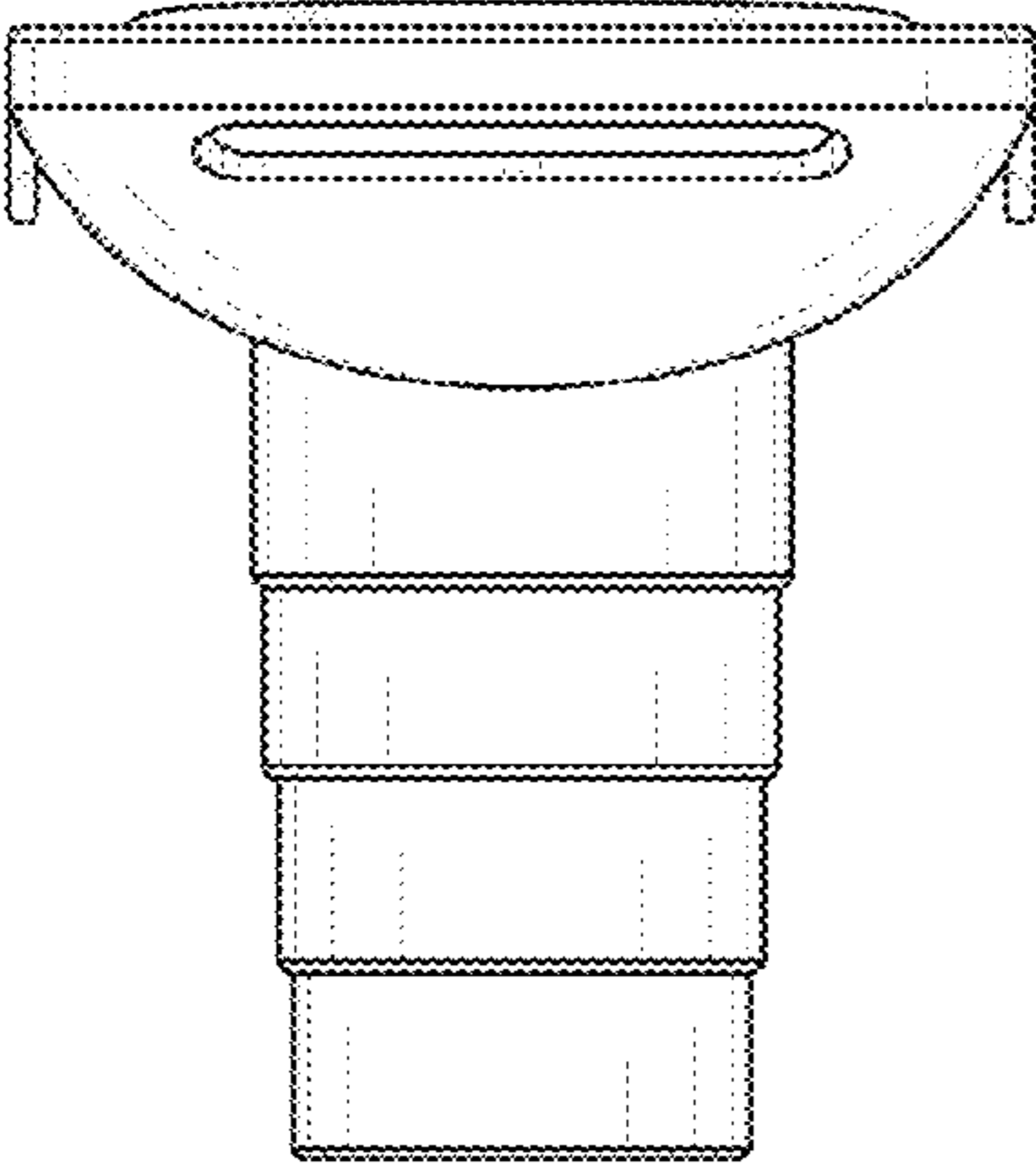


FIG.3

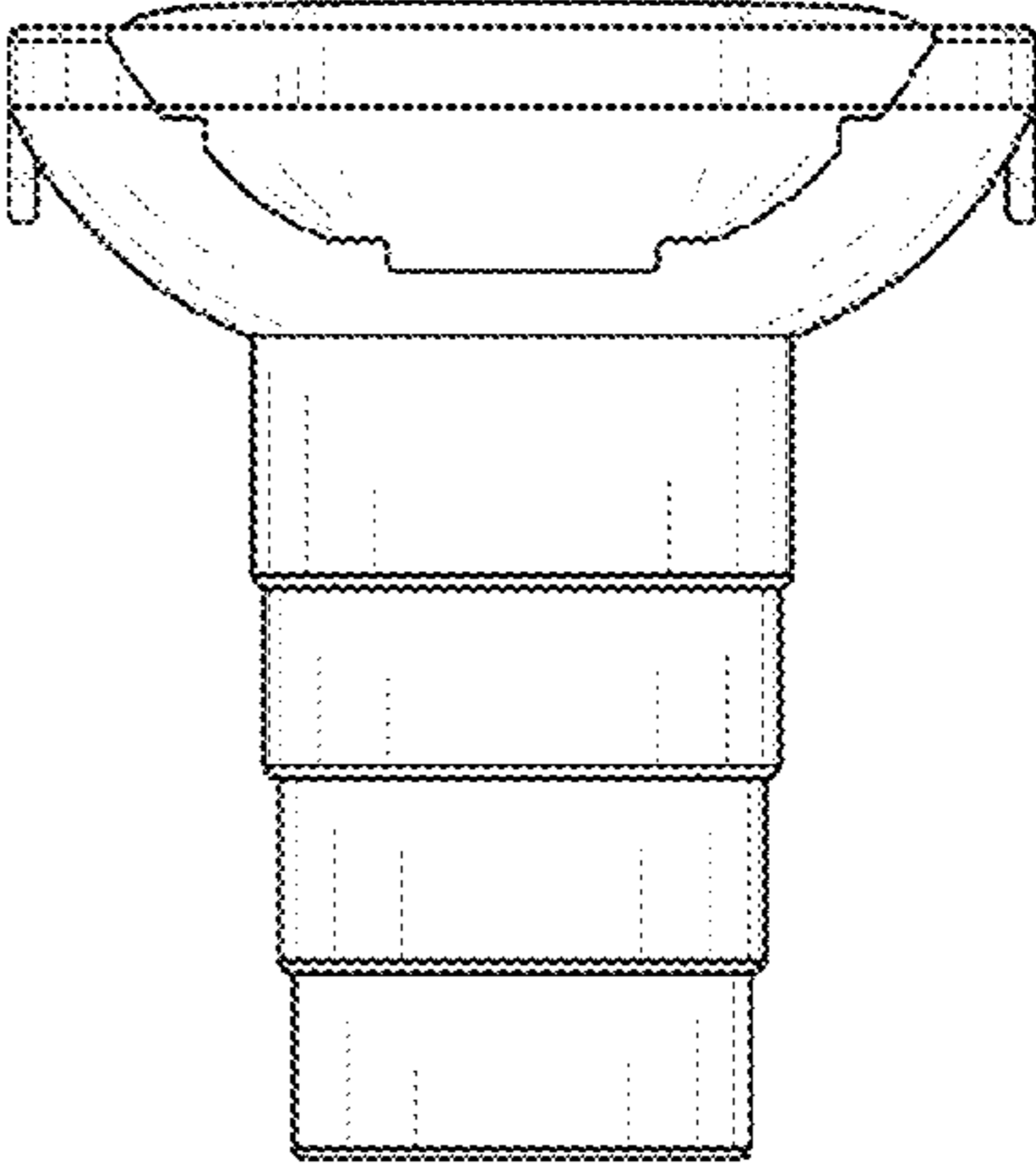


FIG. 4

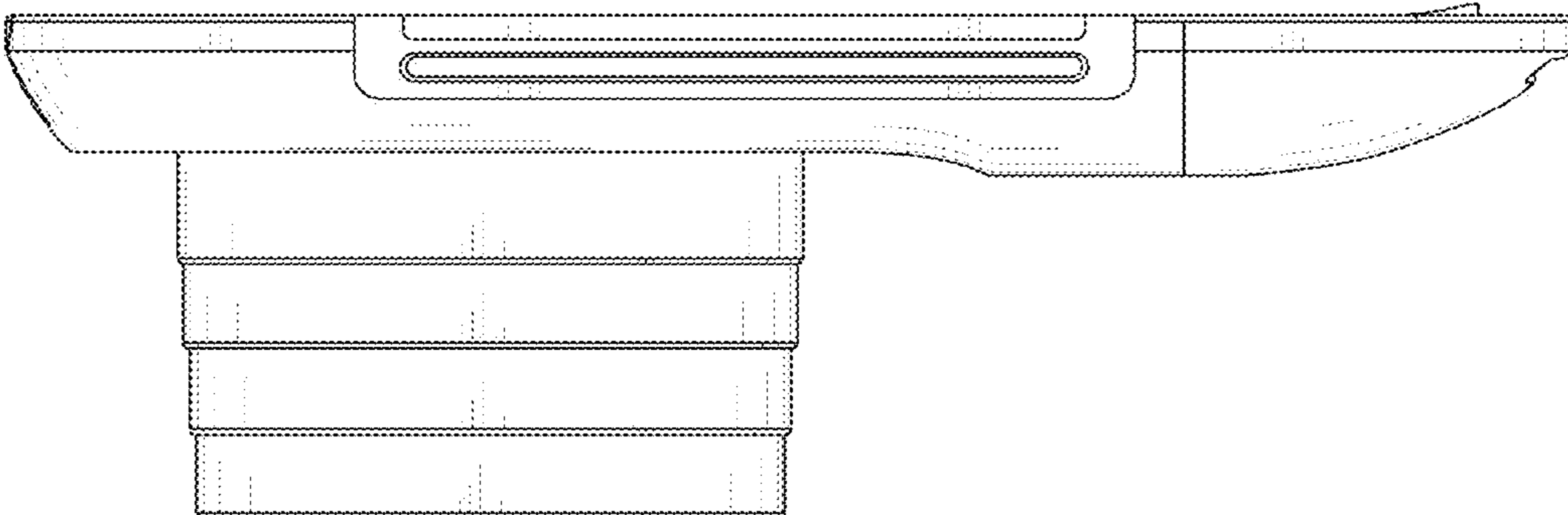


FIG. 5

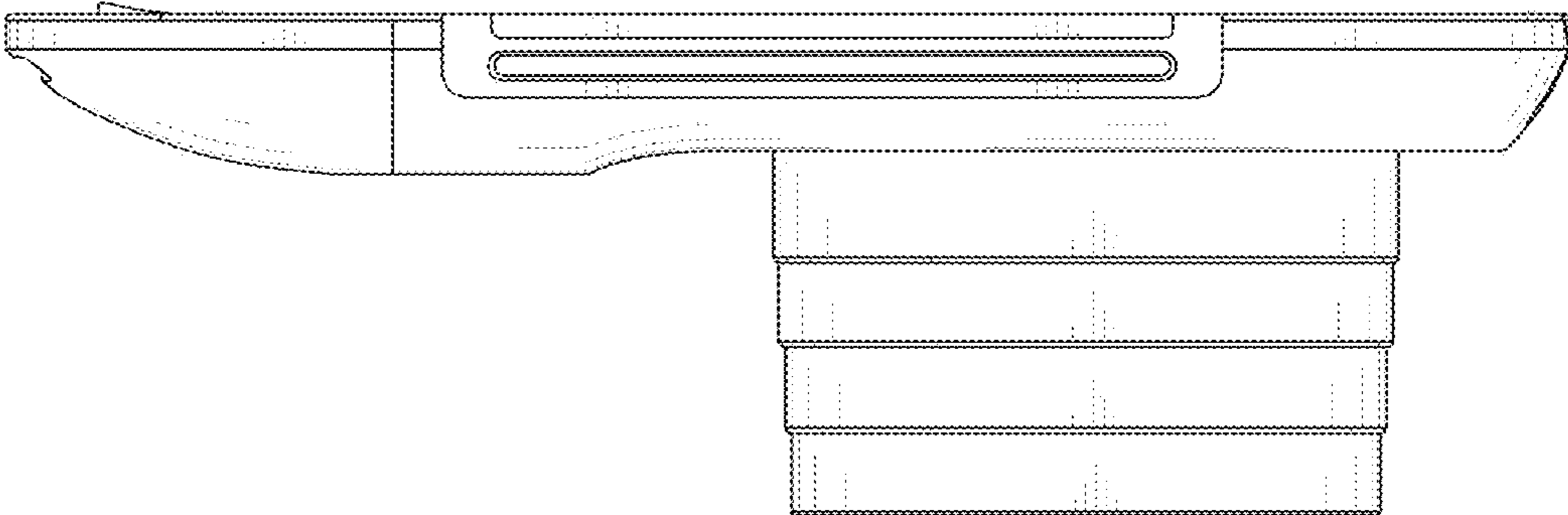


FIG. 6

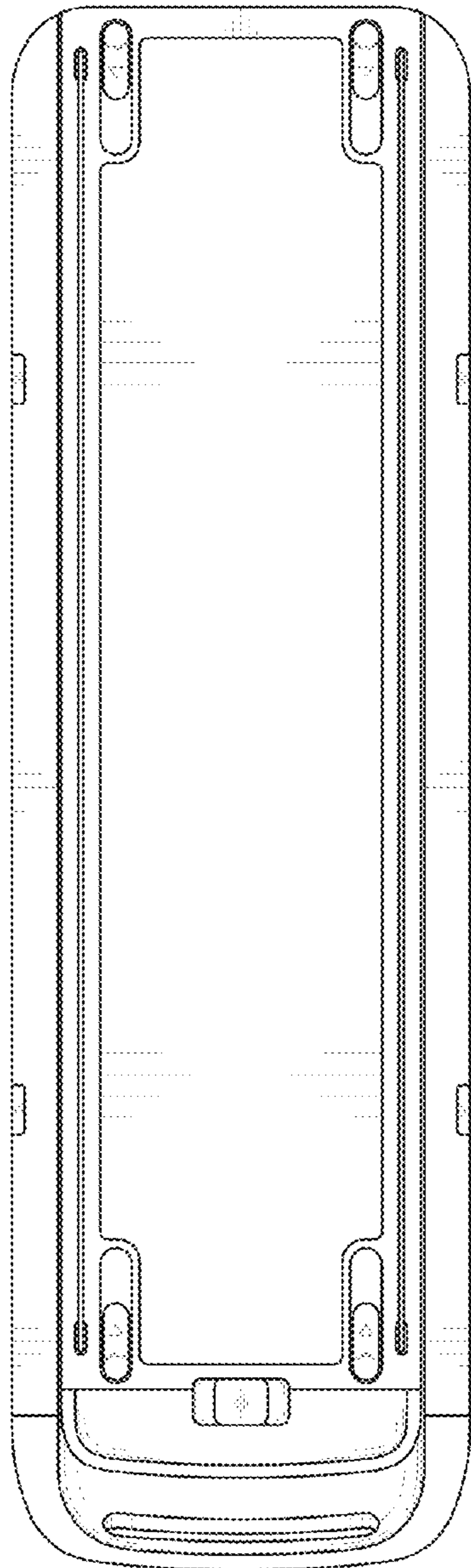


FIG. 7

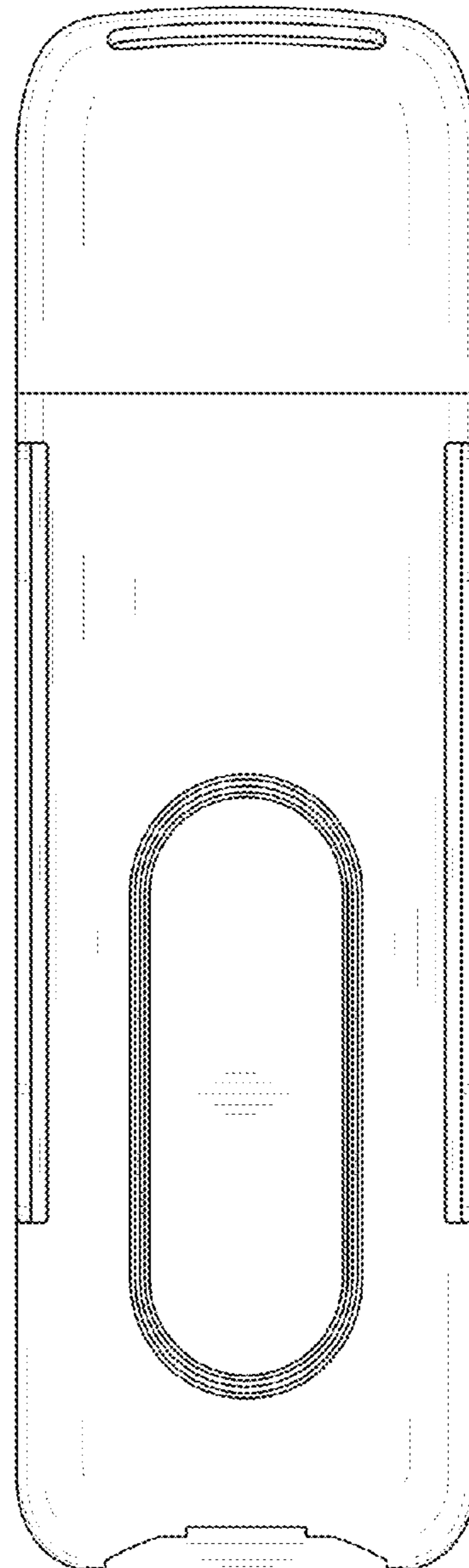


FIG. 8

