



US00D726316S

(12) **United States Design Patent**
Marquez

(10) **Patent No.:** **US D726,316 S**

(45) **Date of Patent:** **** Apr. 7, 2015**

(54) **MICRO-NEEDLING TATTOO HEAD**

(71) Applicant: **Claire A. Marquez**, Miami, FL (US)

(72) Inventor: **Claire A. Marquez**, Miami, FL (US)

(**) Term: **14 Years**

(21) Appl. No.: **29/470,663**

(22) Filed: **Oct. 23, 2013**

(51) **LOC (10) Cl.** **24-02**

(52) **U.S. Cl.**
USPC **D24/146; D24/133**

(58) **Field of Classification Search**
USPC D24/133, 144, 146-147, 214-215;
D28/59, 62, 14-15, 18; 132/76.4;
600/556; 604/46-47, 22, 117, 173,
604/289, 264, 272; 606/185-186
See application file for complete search history.

(56) **References Cited**

U.S. PATENT DOCUMENTS

D369,411	S *	4/1996	Holt	D24/147
6,440,096	B1 *	8/2002	Lastovich et al.	604/27
6,918,901	B1 *	7/2005	Theeuwes et al.	604/22
7,186,235	B2 *	3/2007	Martin et al.	604/22
7,455,654	B2 *	11/2008	Cormier et al.	604/46
8,821,446	B2 *	9/2014	Trautman et al.	604/173
2007/0078376	A1 *	4/2007	Smith	604/46
2008/0208134	A1 *	8/2008	Tomono	604/173
2008/0294116	A1 *	11/2008	Wolter et al.	604/173
2009/0099502	A1 *	4/2009	Tokumoto et al.	604/22
2009/0137945	A1 *	5/2009	Marquez	604/46
2013/0012882	A1 *	1/2013	Quan et al.	604/173
2014/0128685	A1 *	5/2014	Na	604/22

* cited by examiner

Primary Examiner — Wan Laymon

(74) *Attorney, Agent, or Firm* — QuickPatents; Kevin Prince

(57) **CLAIM**

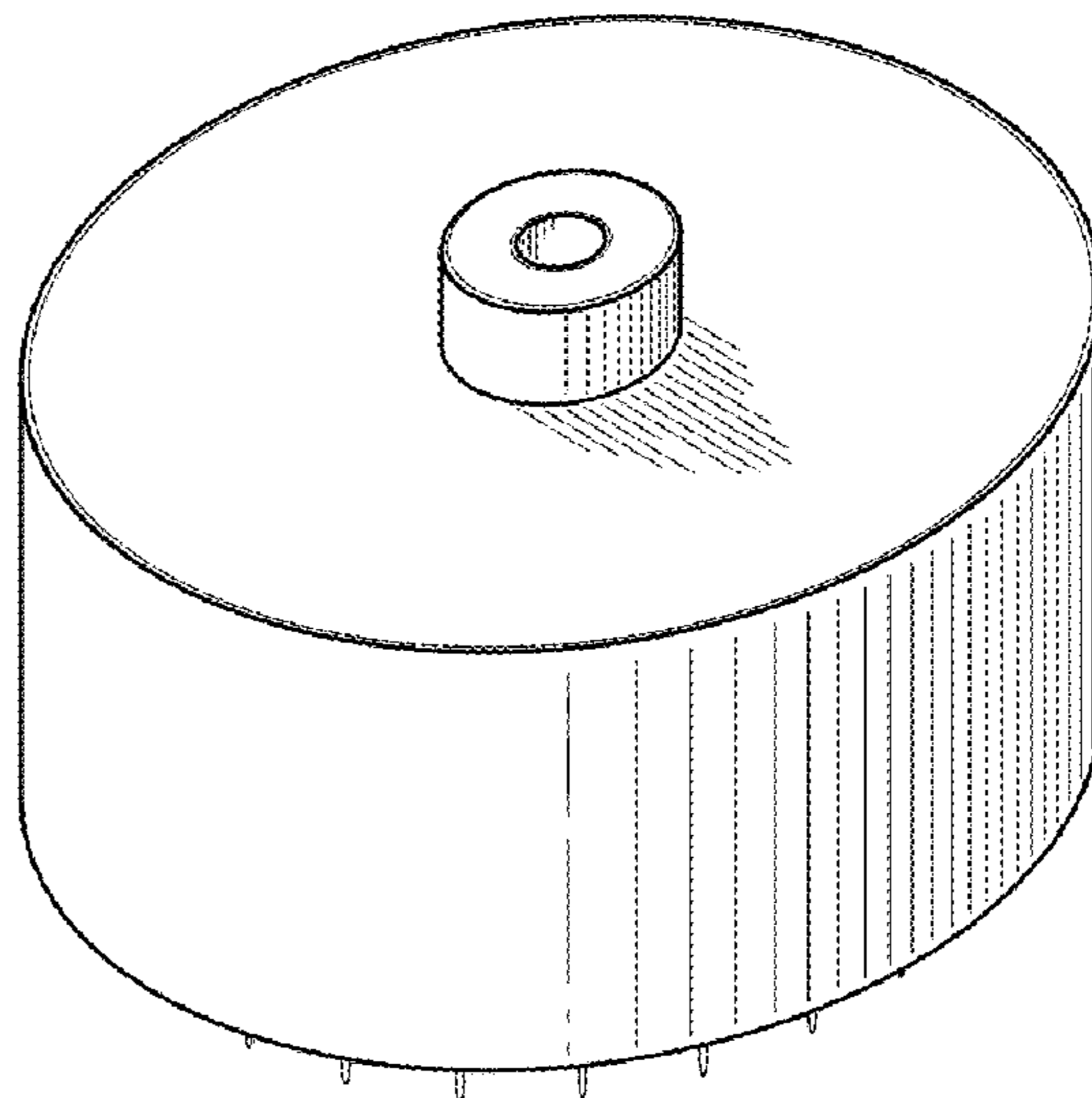
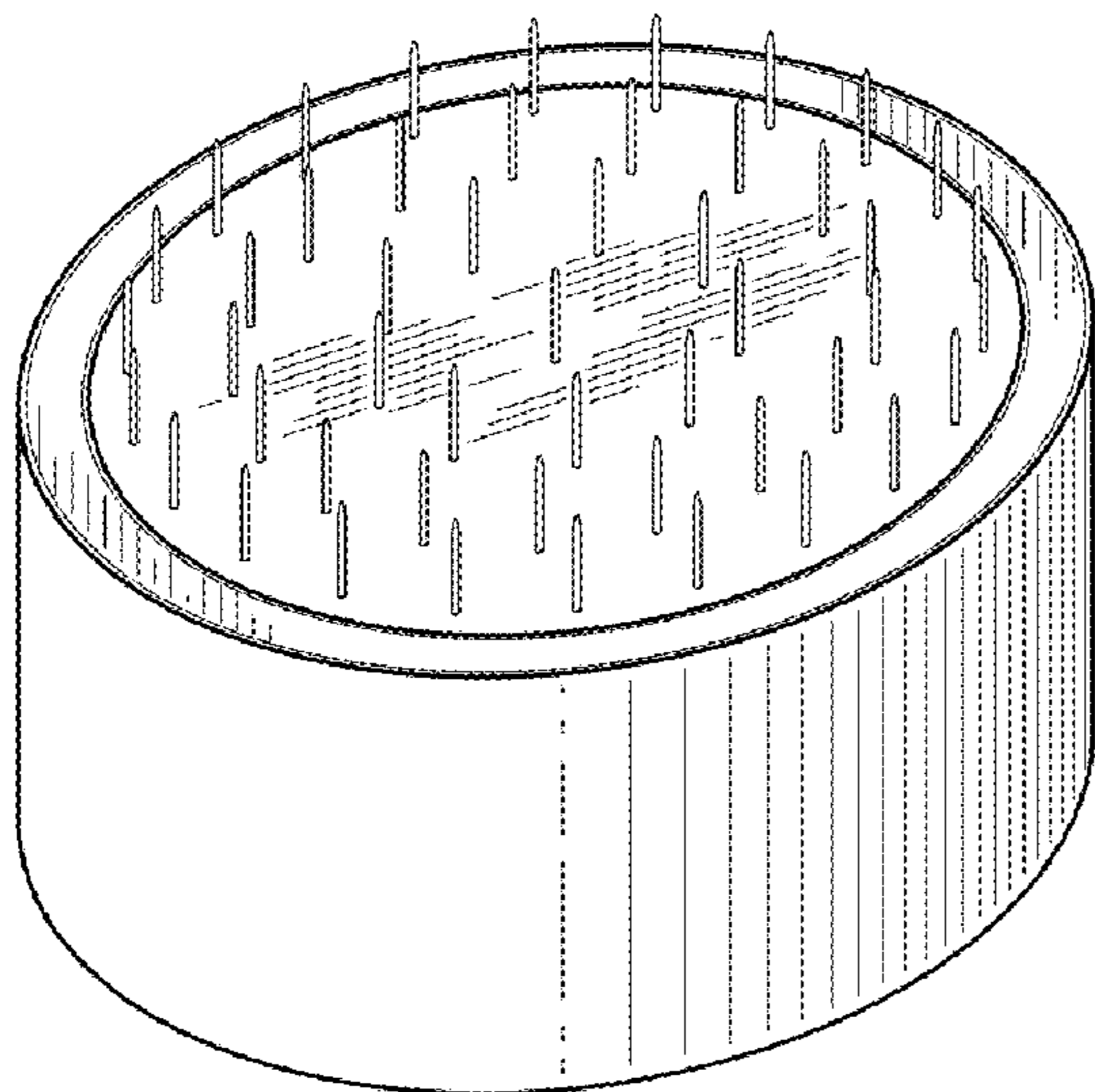
I claim the ornamental design for a micro-needling tattoo head, as shown and described.

DESCRIPTION

FIG. 1 is a bottom perspective view of a micro-needling tattoo head, showing a first embodiment of my new design; FIG. 2 is a top perspective view of FIG. 1; FIG. 3 is a bottom plan view of FIG. 1; FIG. 4 is a top plan view of FIG. 1; FIG. 5 is a front elevational view of FIG. 1; FIG. 6 is a rear elevational view of FIG. 1; FIG. 7 is a left-side elevational view of FIG. 1, the right-side elevational view being a mirror image thereof; FIG. 8 is a bottom perspective view of a second embodiment thereof; FIG. 9 is a top perspective view of FIG. 8; FIG. 10 is a bottom plan view of FIG. 8; FIG. 11 is a top plan view of FIG. 8; and FIG. 12 is a front elevational view of FIG. 8, the rear elevational view, left-side elevational view, and right-side elevational view all being identical thereto; FIG. 13 is a bottom perspective view of a third embodiment thereof; FIG. 14 is a top perspective view of FIG. 13; FIG. 15 is a bottom plan view of FIG. 13; FIG. 16 is a top plan view of FIG. 13; and, FIG. 17 is a front elevational view of FIG. 13, the rear elevational view, left-side elevational view, and right-side elevational view all being identical thereto.

It is understood that the contrasting shading on an outer ring of the design represents a contrasting color to a needle disk of the design.

1 Claim, 4 Drawing Sheets



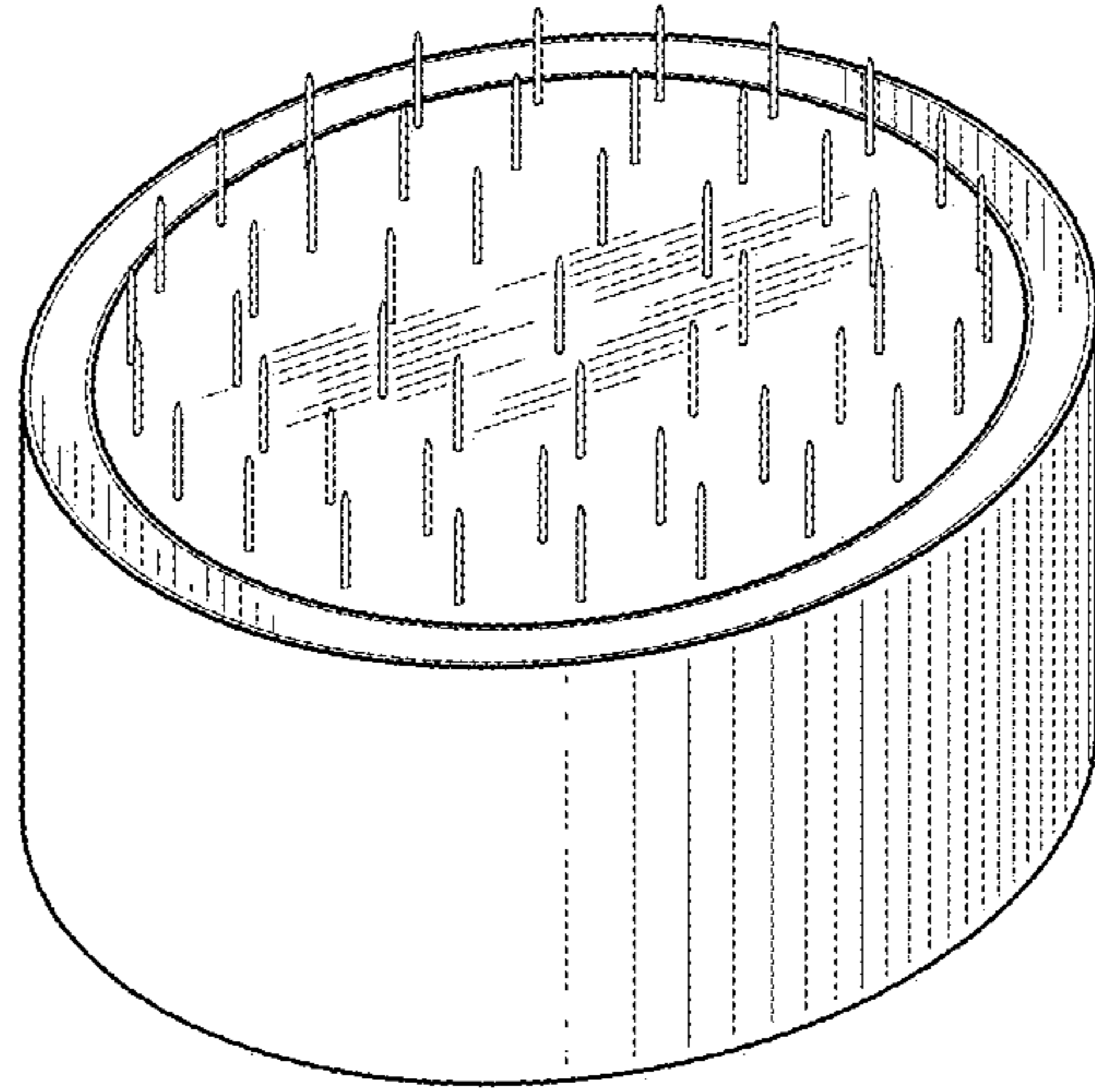


FIG. 1

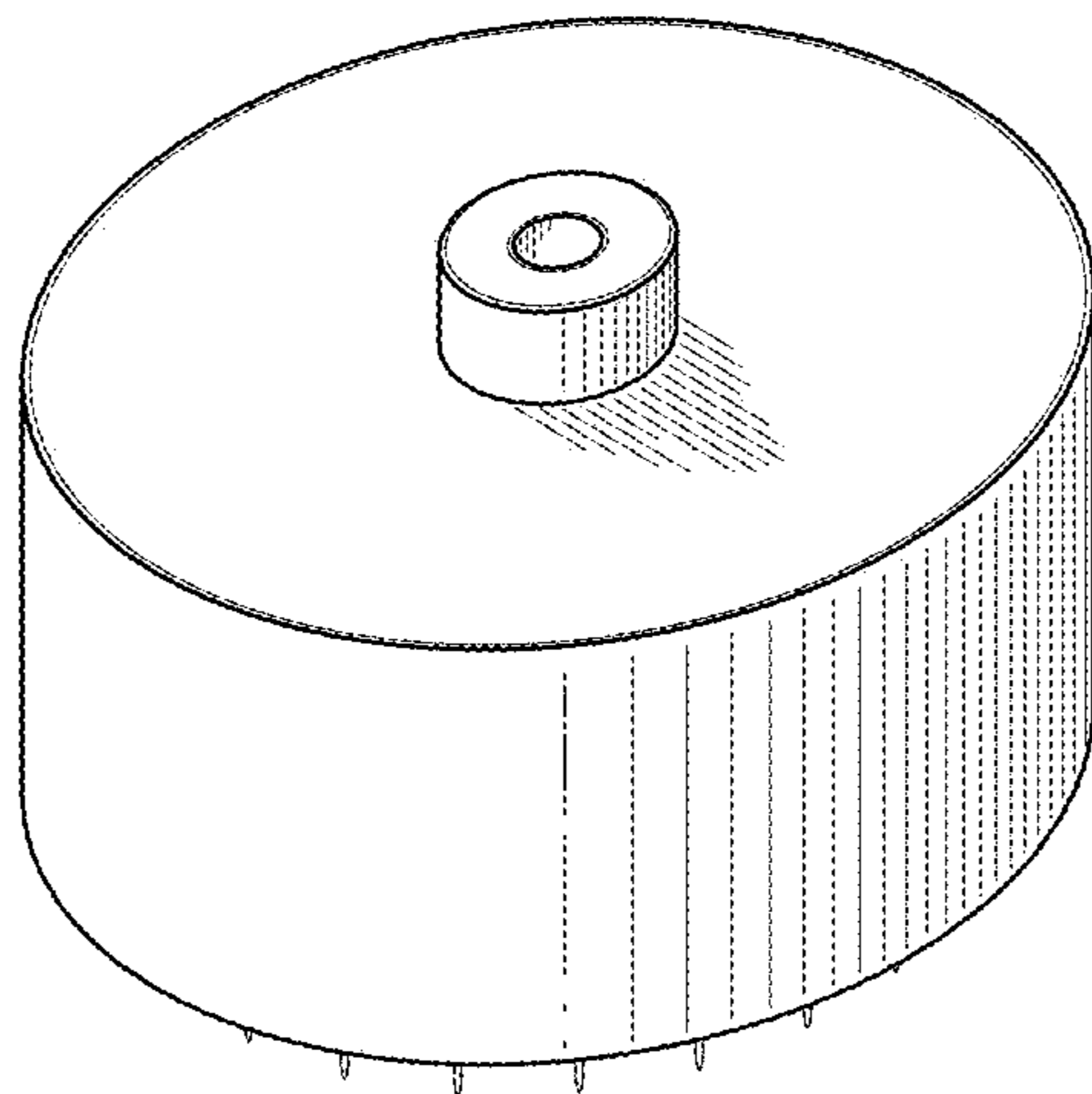


FIG. 2

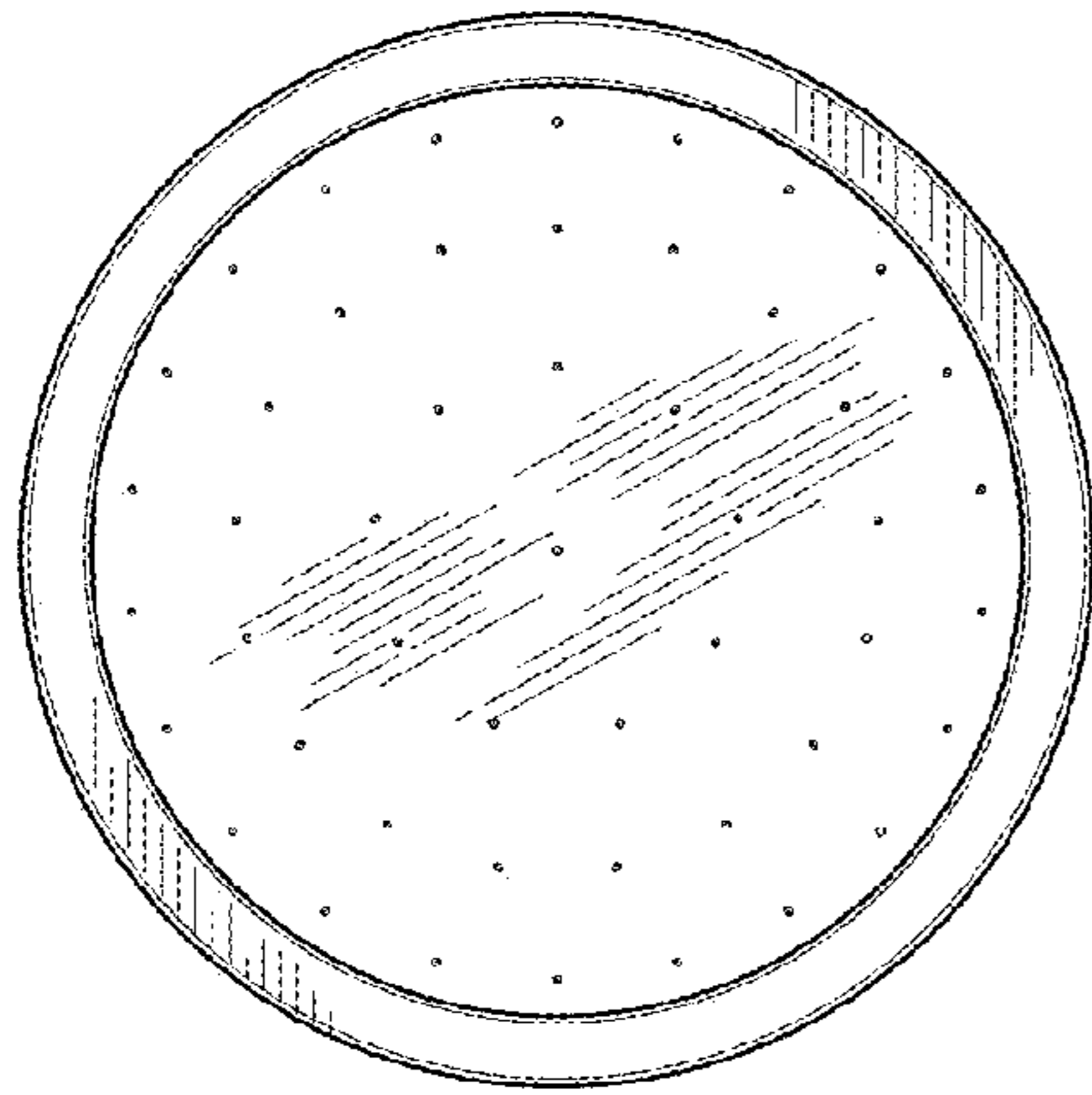


FIG. 3

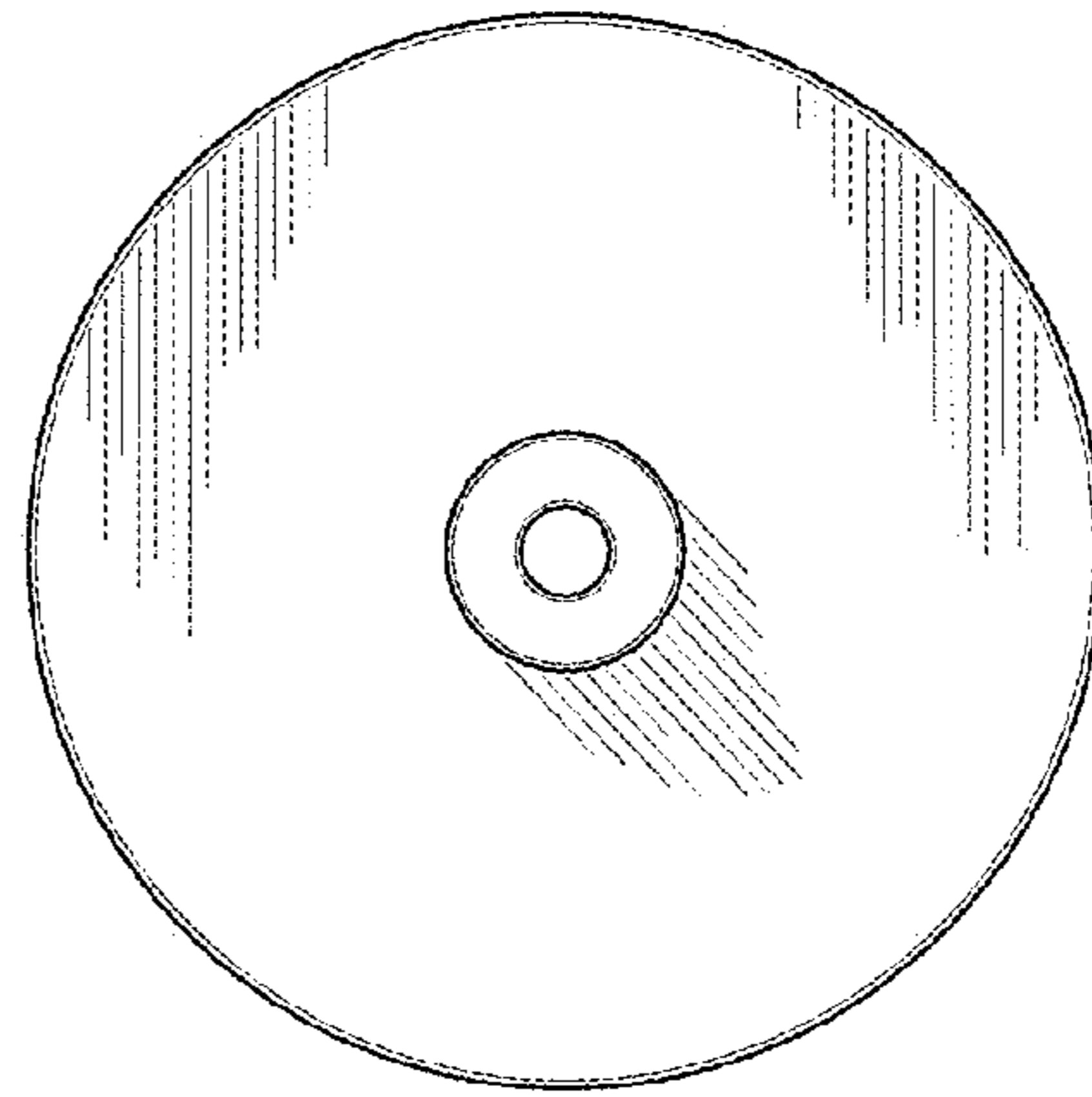


FIG. 4

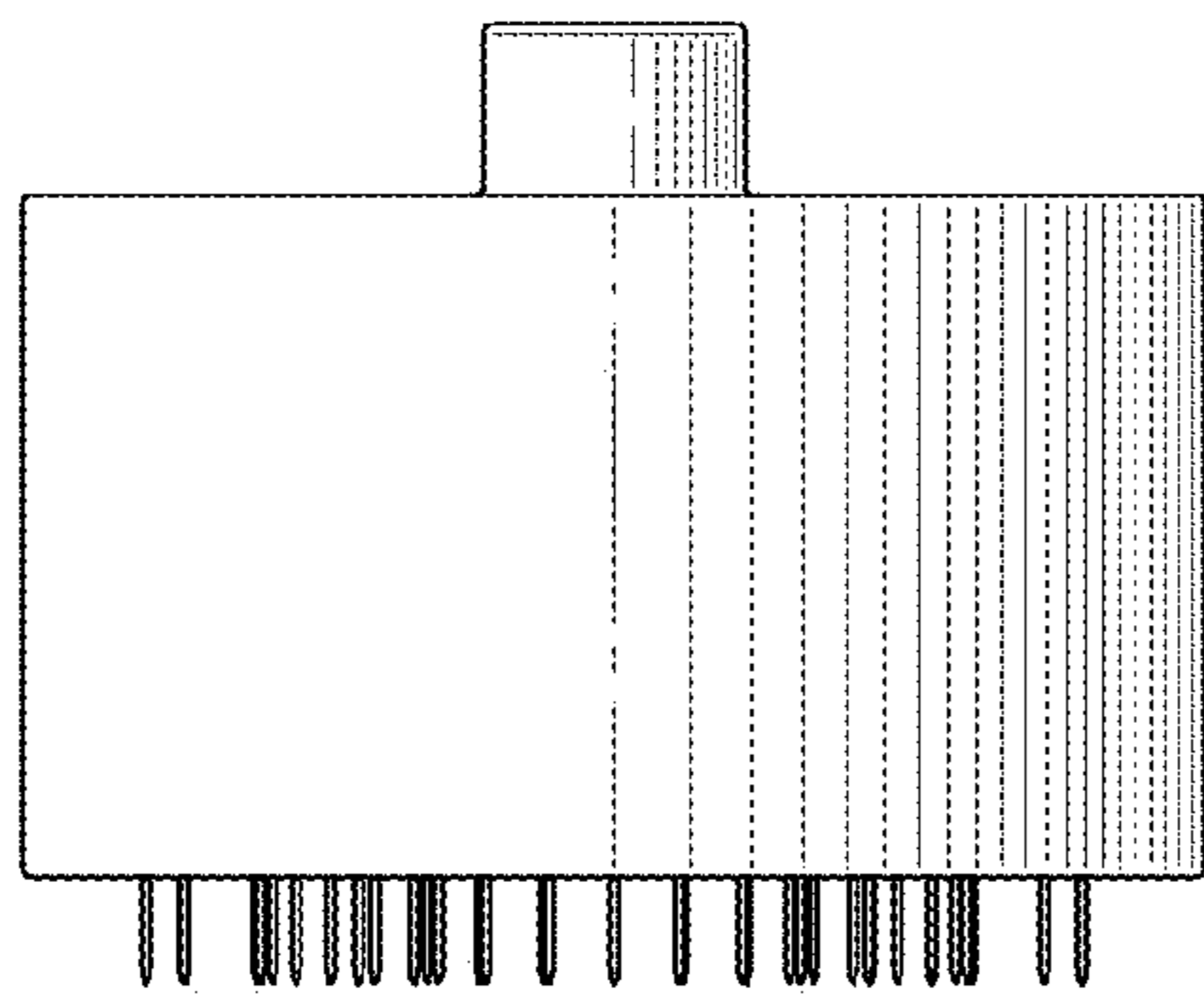


FIG. 5

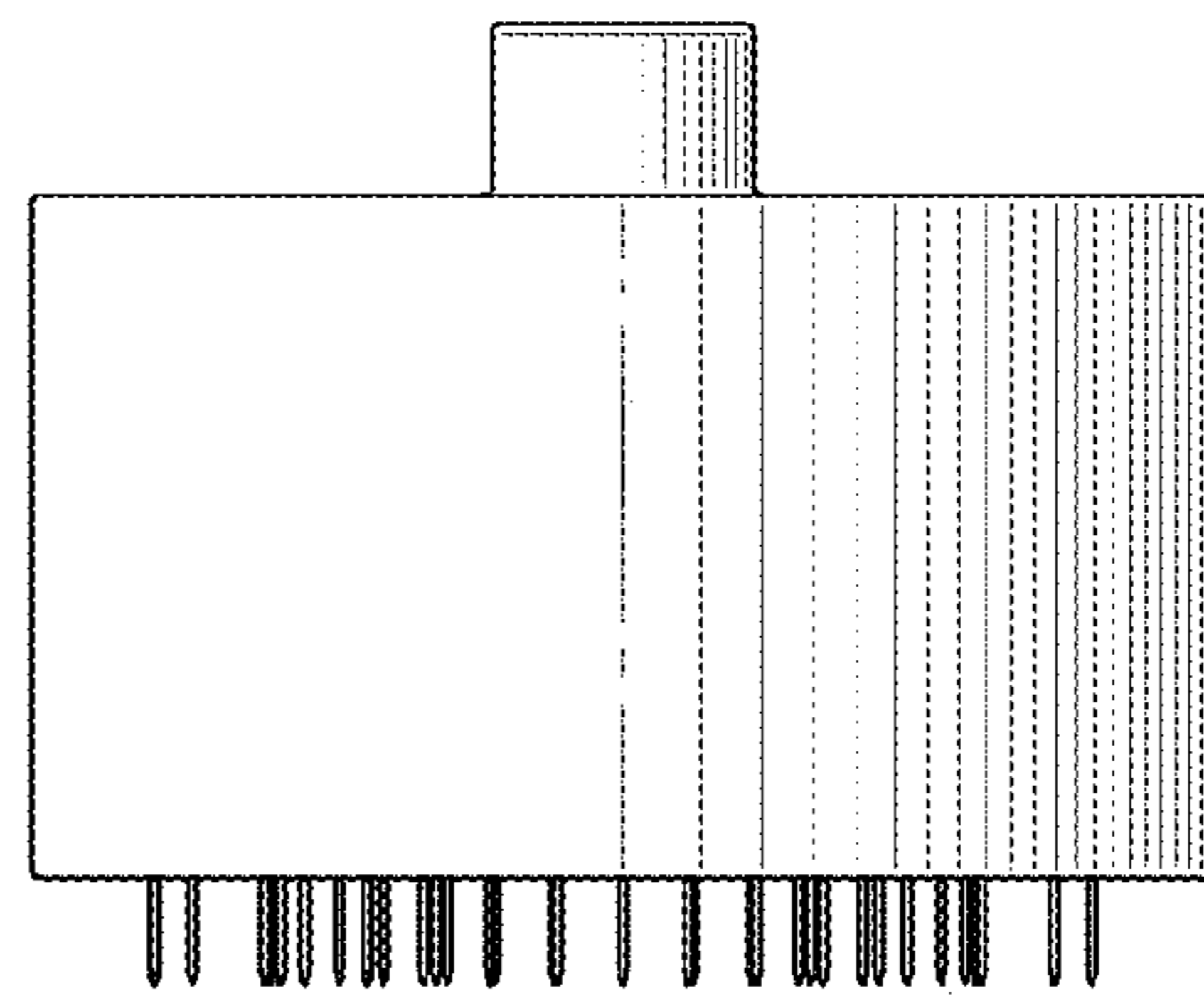


FIG. 6

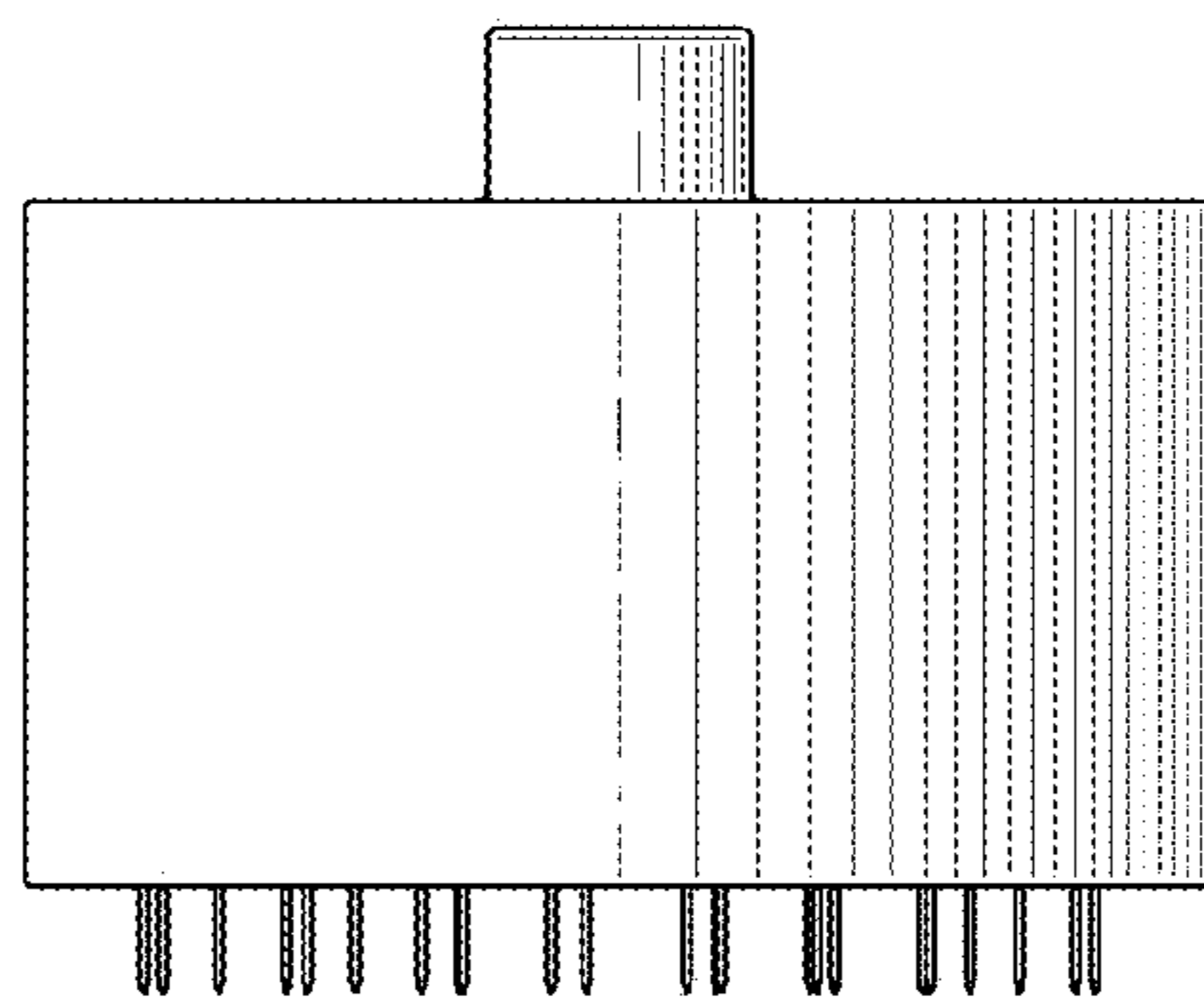


FIG. 7

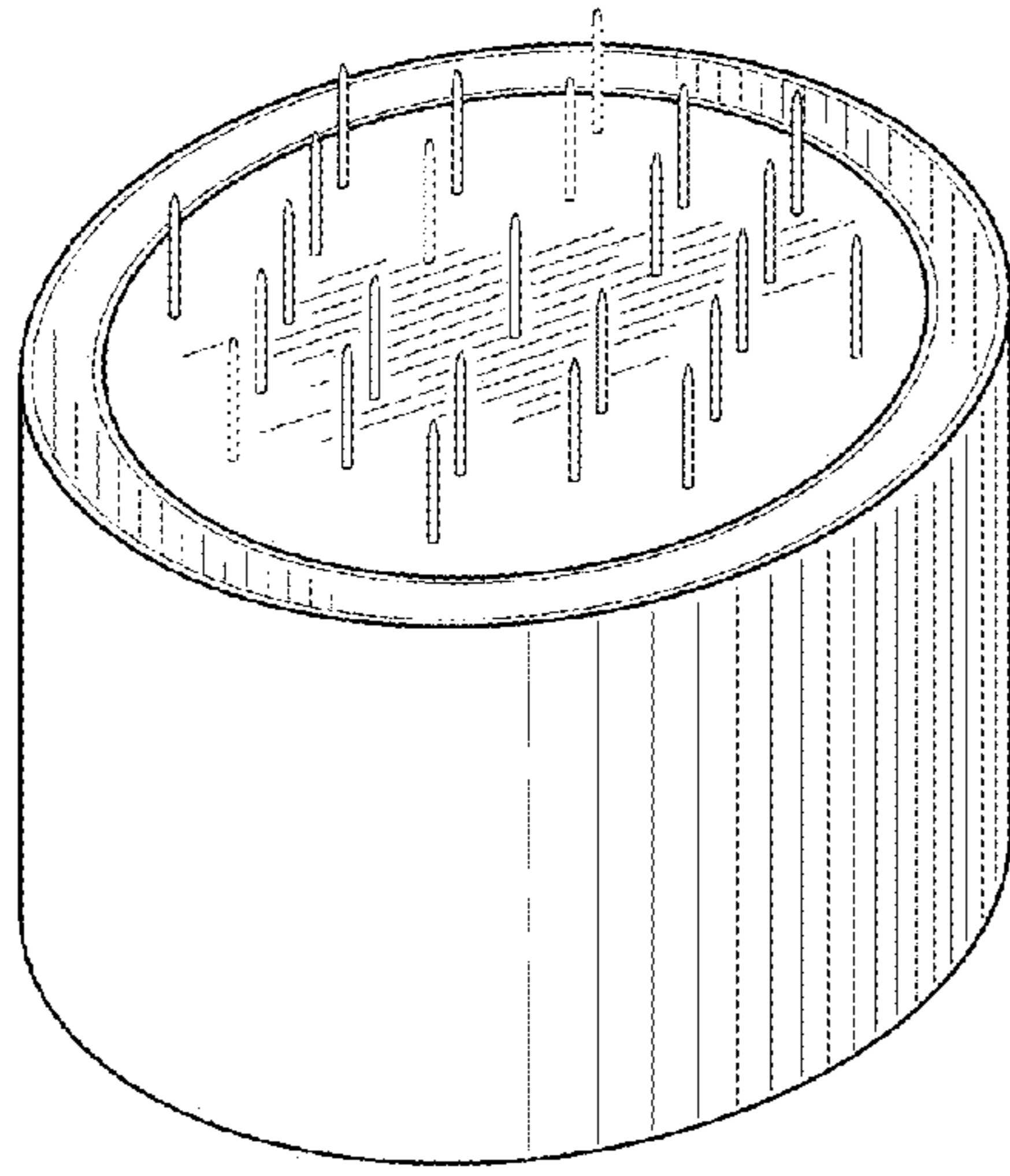


FIG. 8

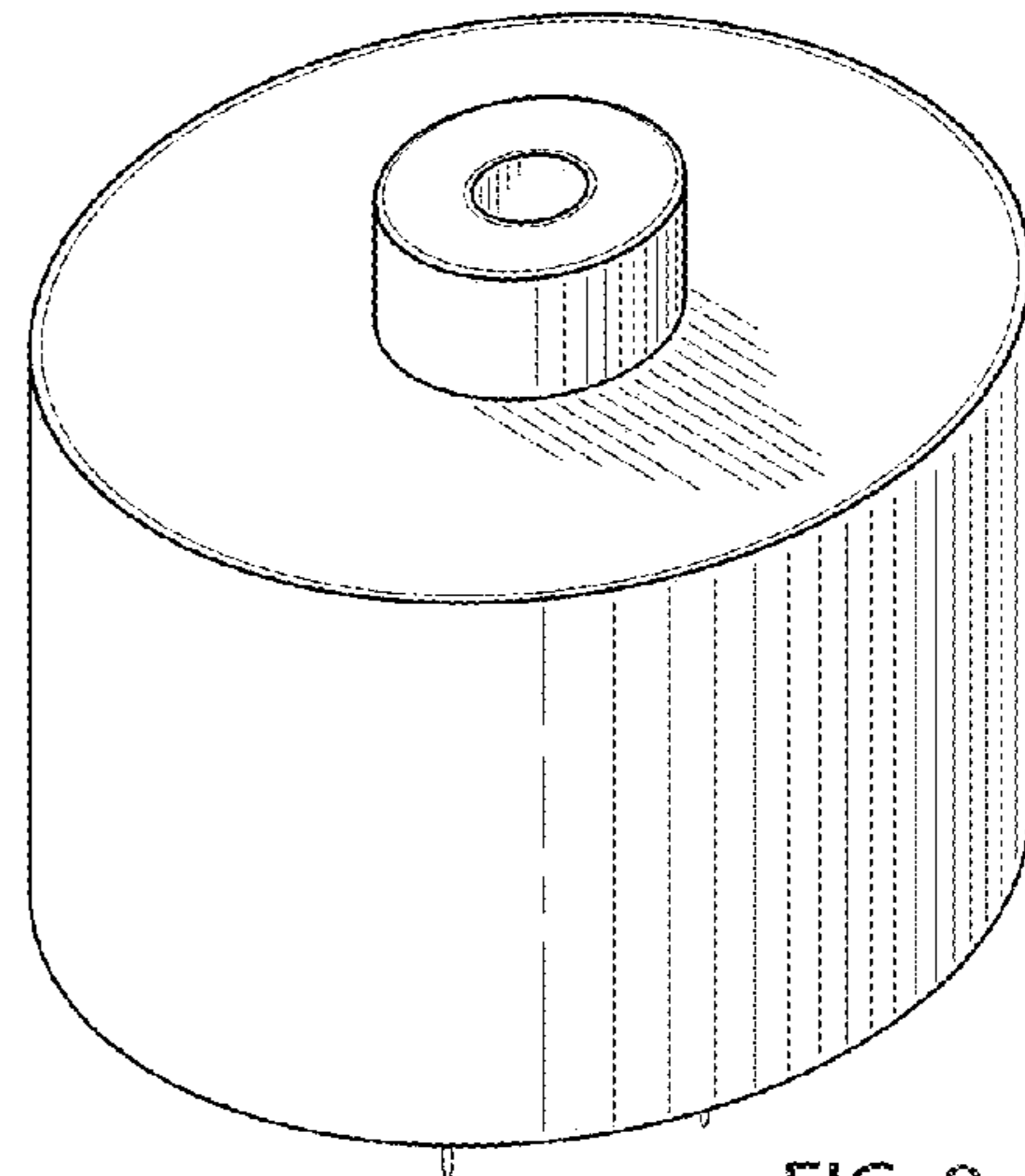


FIG. 9

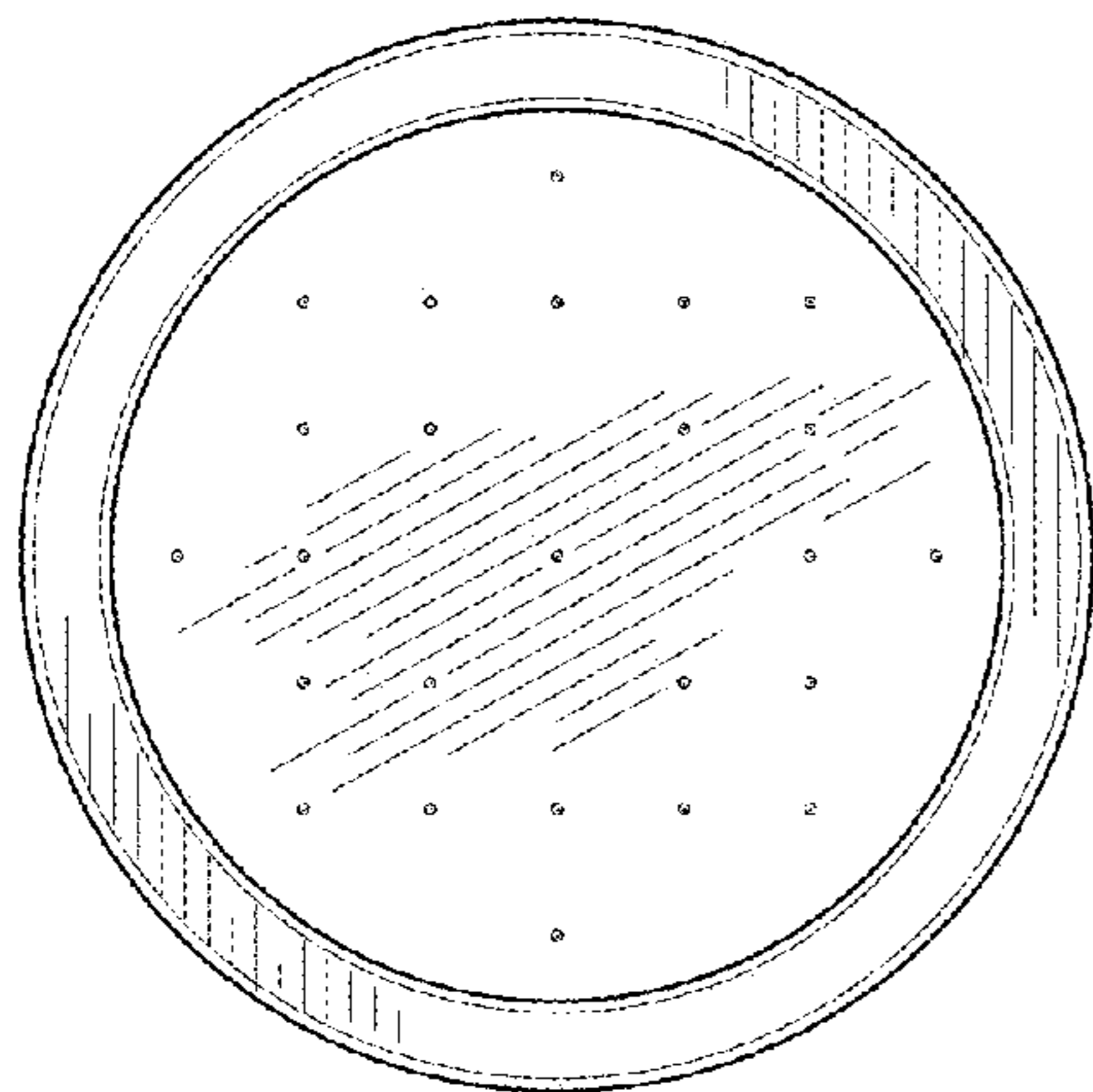


FIG. 10

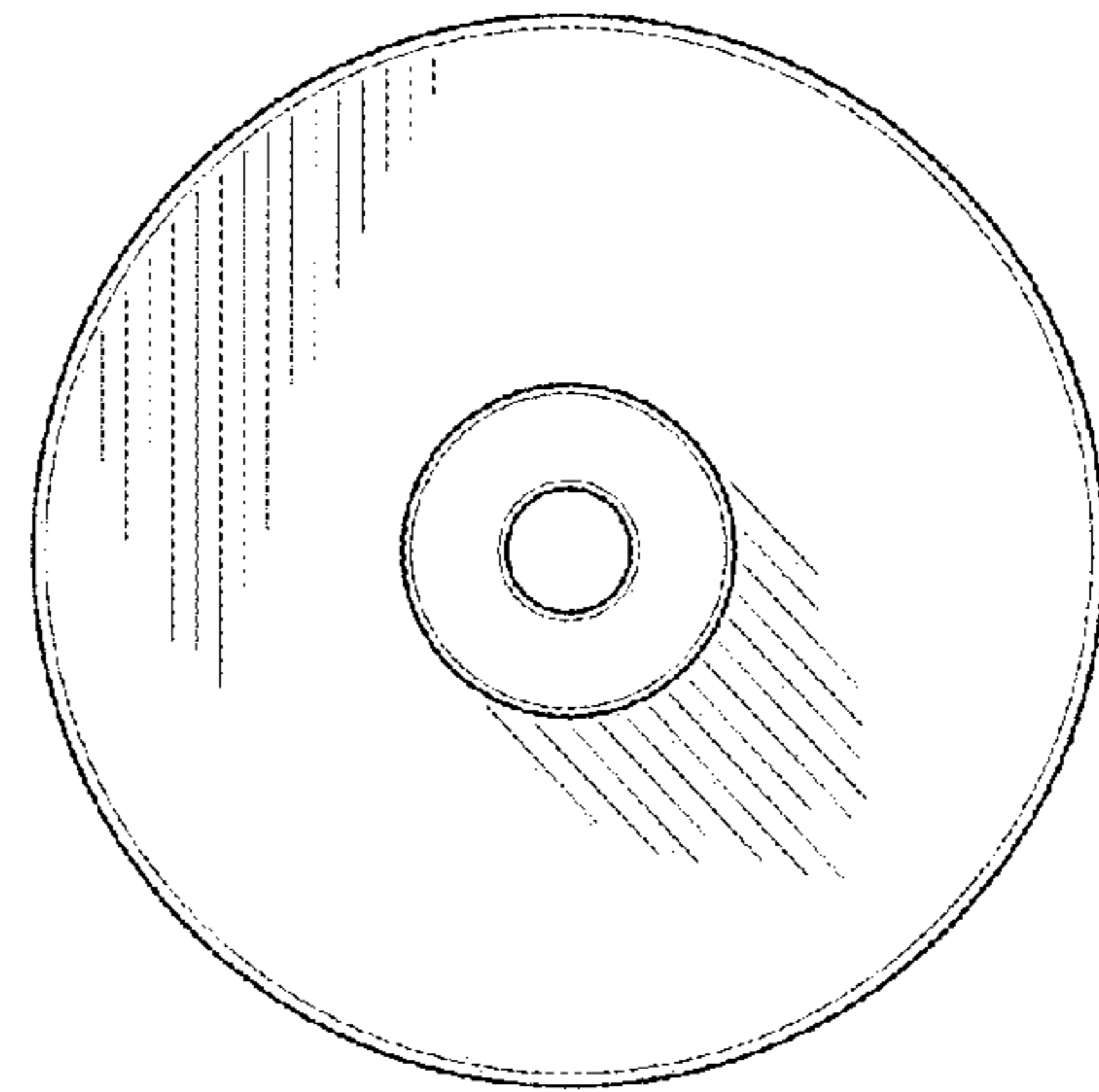


FIG. 11

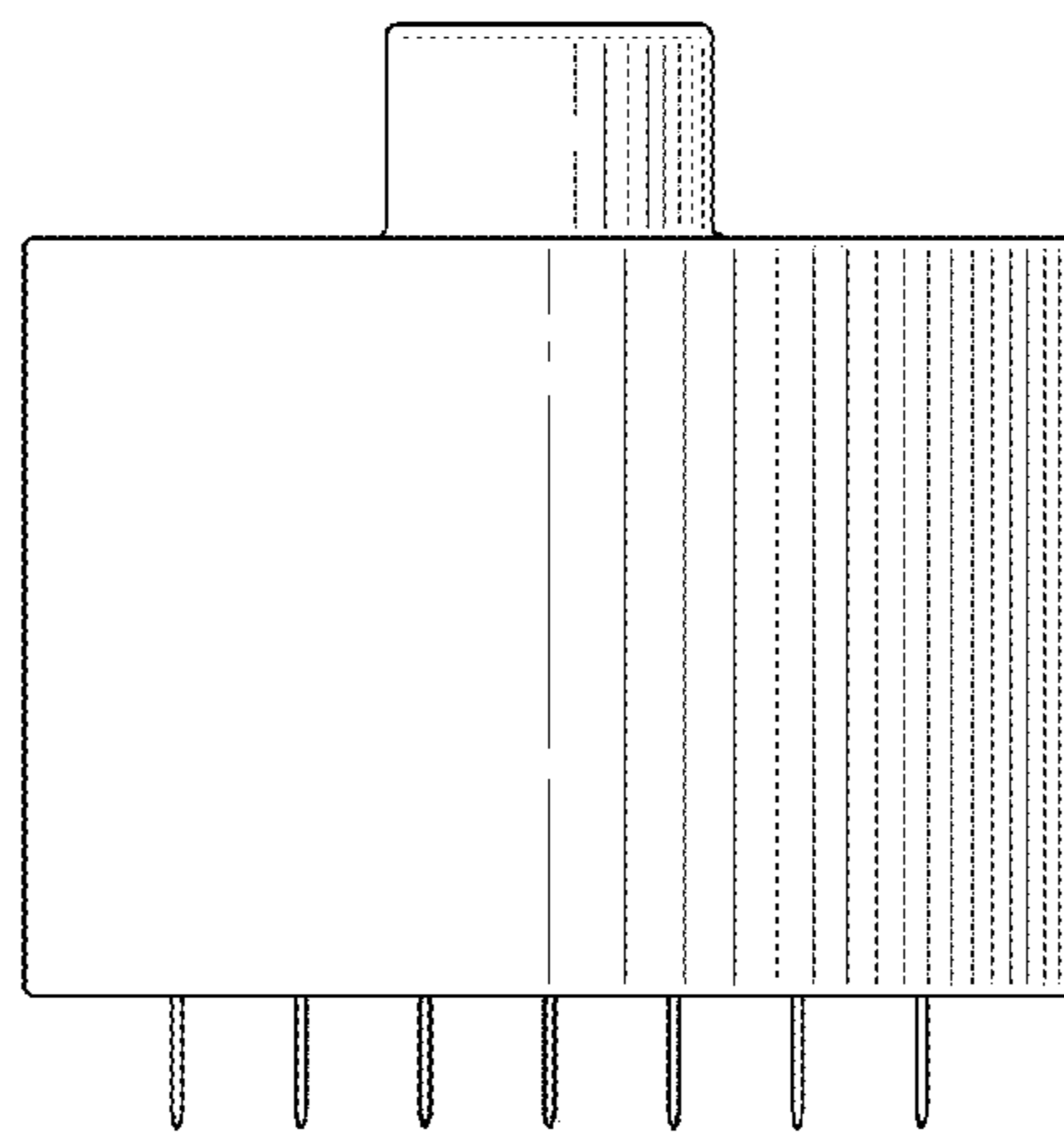


FIG. 12

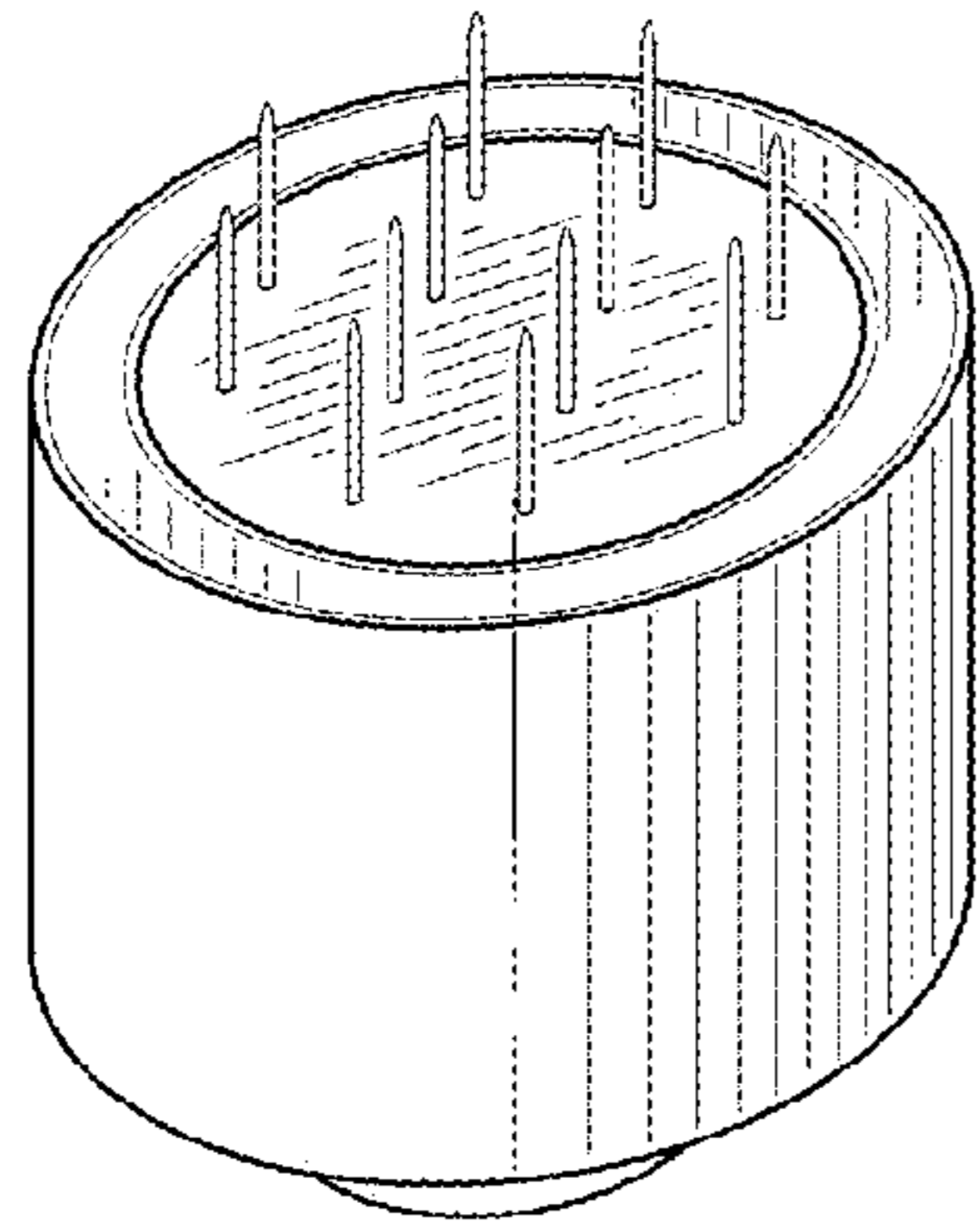


FIG. 13

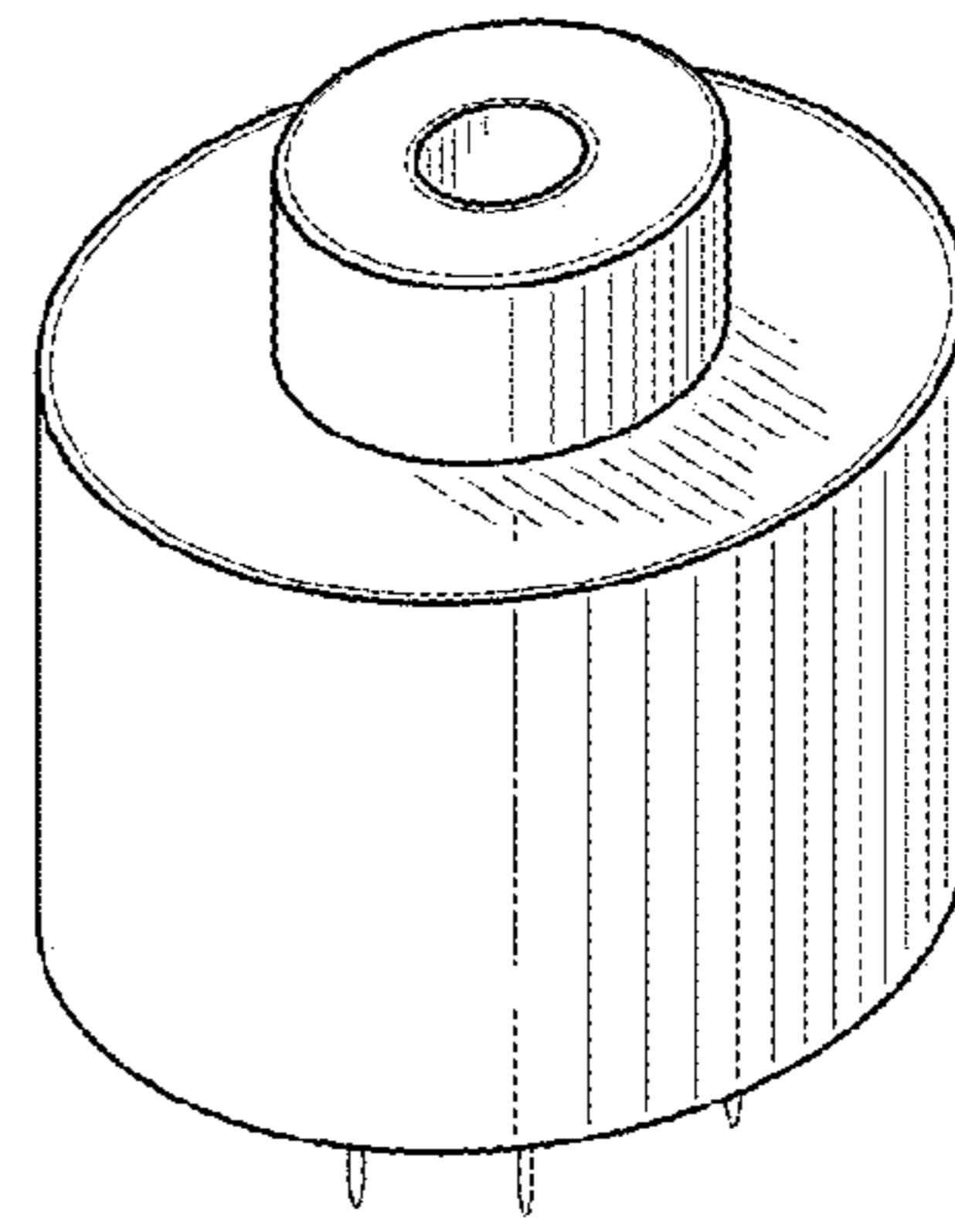


FIG. 14

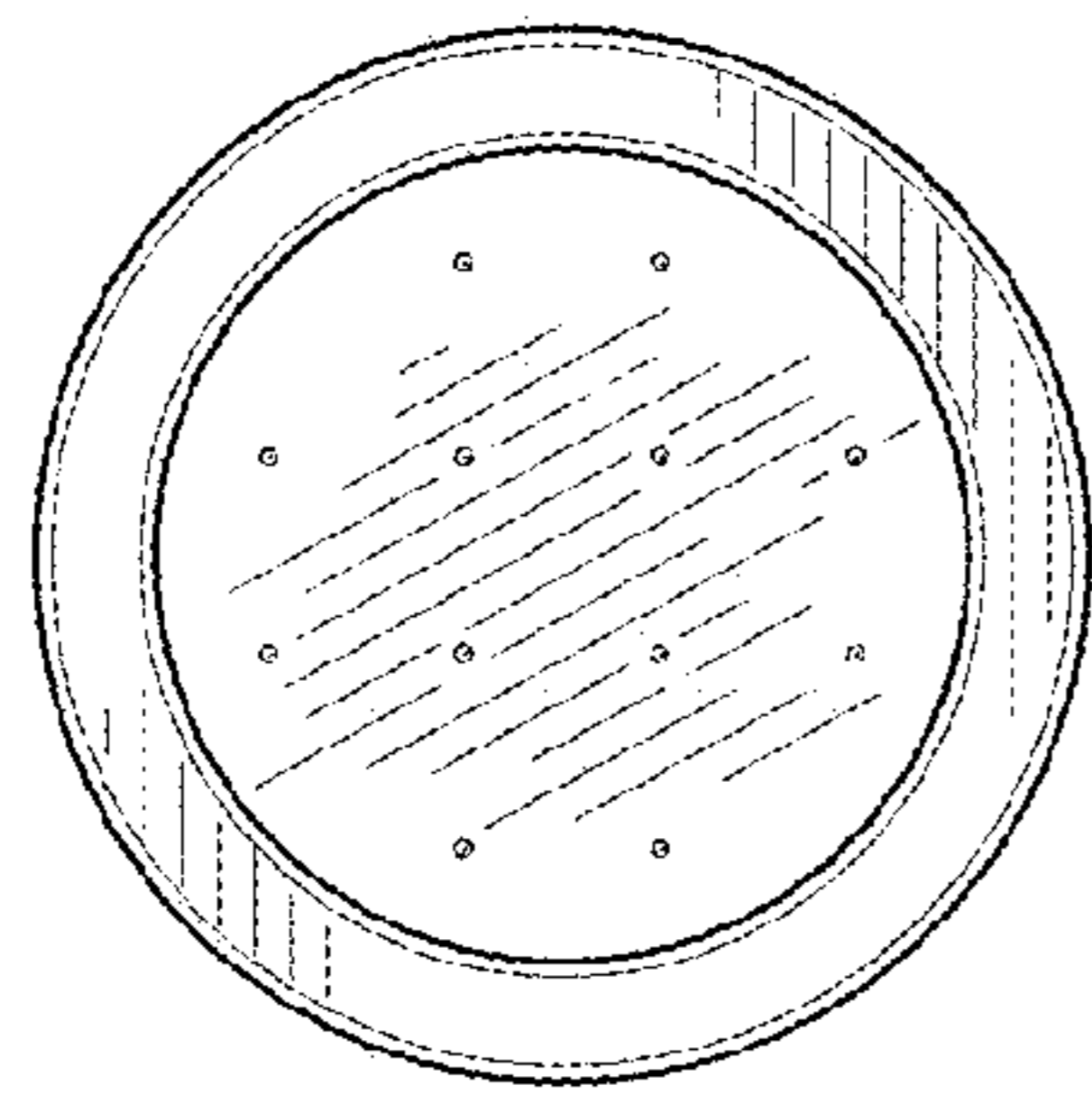


FIG. 15

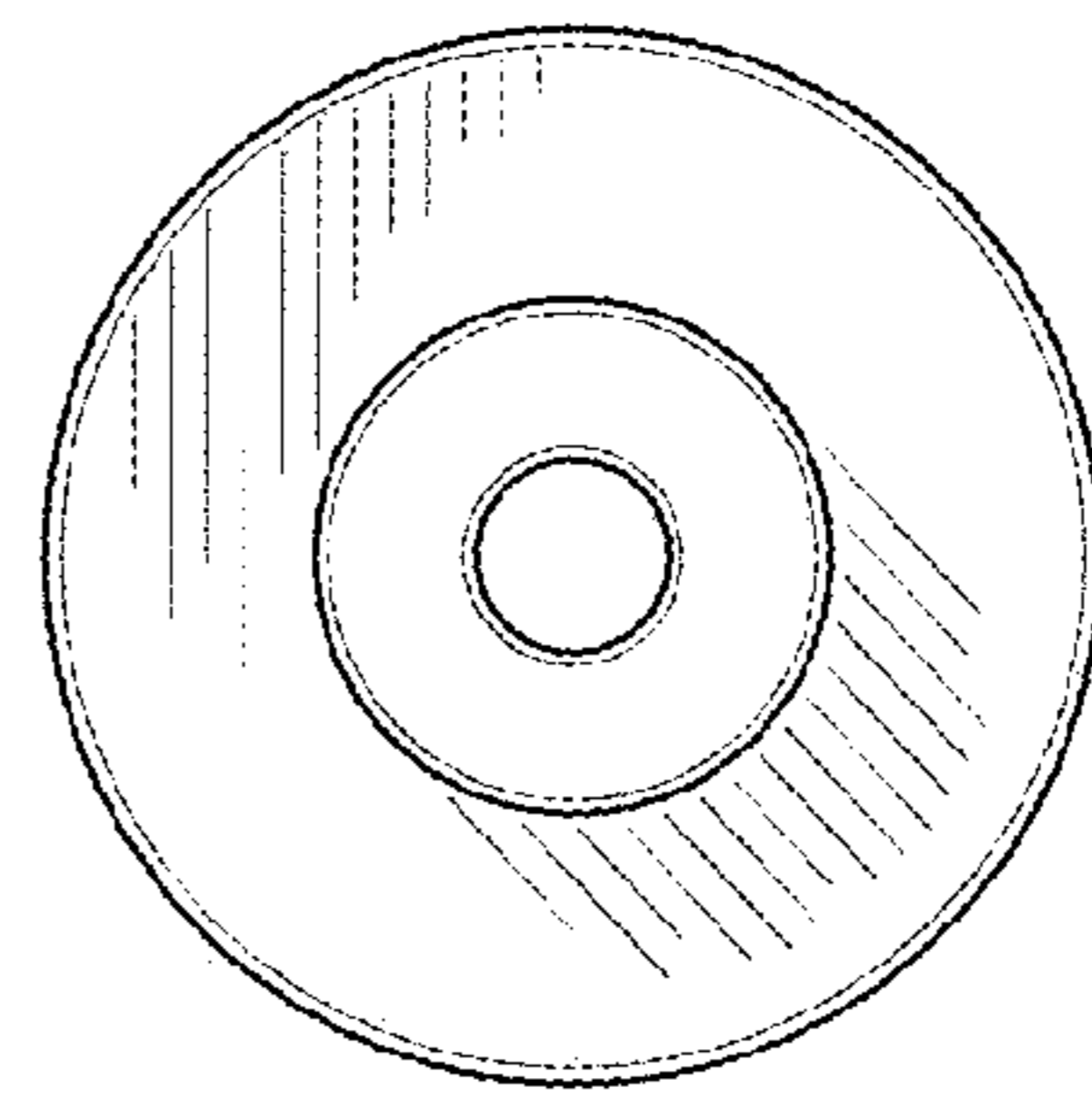


FIG. 16

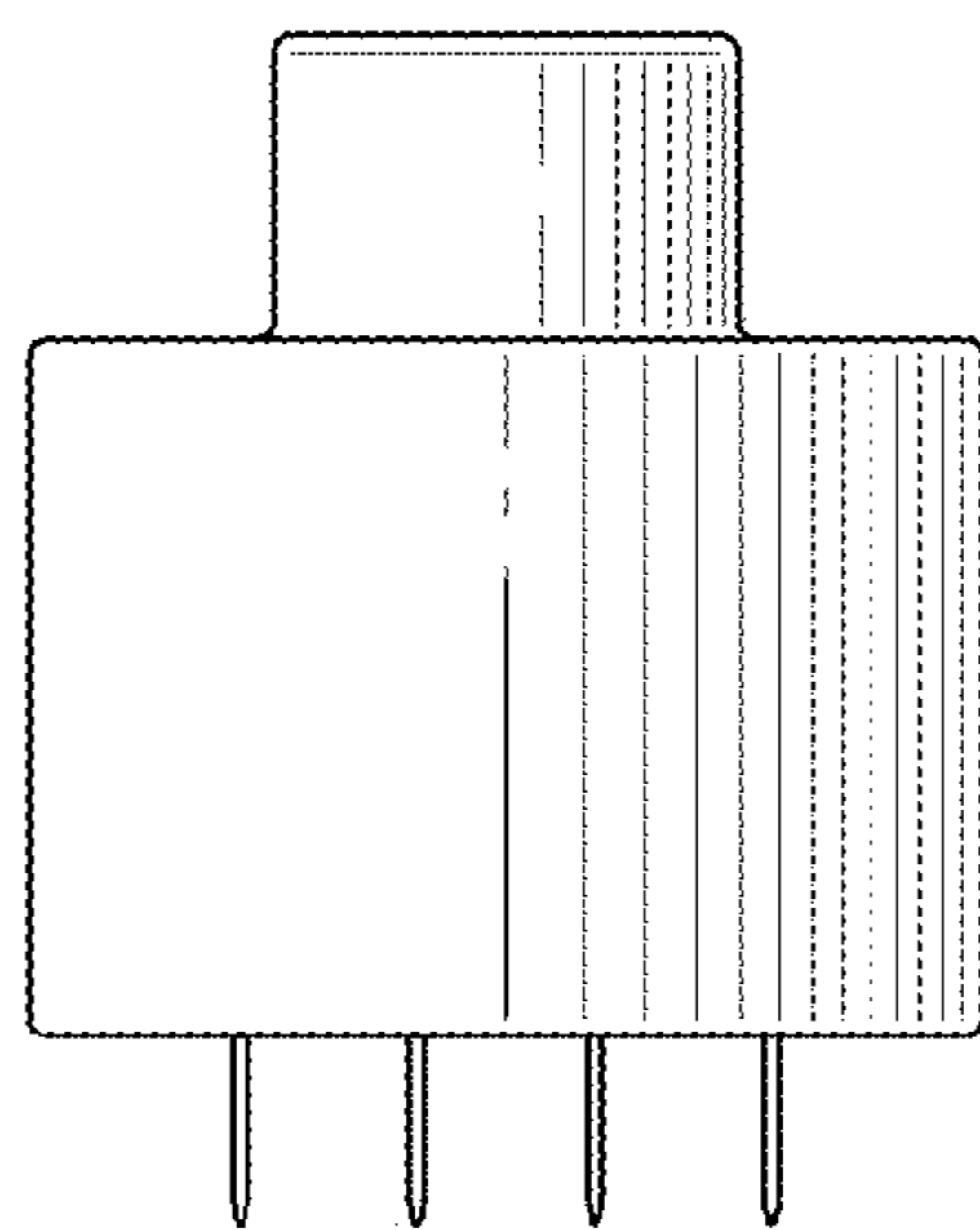


FIG. 17