



US00D726315S

(12) **United States Design Patent**
Nalagatla et al.

(10) **Patent No.:** **US D726,315 S**

(45) **Date of Patent:** **** *Apr. 7, 2015**

(54) **SURGICAL STAPLER CARTRIDGE**

(75) Inventors: **Anil K. Nalagatla**, Mason, OH (US);
Barry T. Jamison, Fairfield, OH (US);
John V. Hunt, Cincinnati, OH (US); **Bo Yan**,
Shanghai (CN); **Thomas E. Adams**, Loveland, OH (US)

(73) Assignee: **Ethicon Endo-Surgery, Inc.**, Cincinnati, OH (US)

(*) Notice: This patent is subject to a terminal disclaimer.

(**) Term: **14 Years**

(21) Appl. No.: **29/427,602**

(22) Filed: **Jul. 20, 2012**

(51) **LOC (10) Cl.** **24-02**

(52) **U.S. Cl.**
USPC **D24/145**

(58) **Field of Classification Search**
USPC D24/145-147, 127; 227/175.1, 175.2,
227/176.1, 179.1, 180.1, 181.1, 19, 119,
227/901-902; 606/139, 142, 219
See application file for complete search history.

(56) **References Cited**

U.S. PATENT DOCUMENTS

4,207,898	A	6/1980	Becht	
4,351,466	A	9/1982	Noiles	
5,292,053	A	3/1994	Bilotti et al.	
5,344,059	A	9/1994	Green et al.	
5,411,508	A *	5/1995	Bessler et al.	227/179.1
5,860,581	A	1/1999	Robertson et al.	
6,083,241	A	7/2000	Longo et al.	
6,102,271	A	8/2000	Longo et al.	
6,193,129	B1	2/2001	Bittner et al.	
6,978,922	B2 *	12/2005	Bilotti et al.	227/180.1
RE39,841	E *	9/2007	Bilotti et al.	227/180.1
7,845,536	B2 *	12/2010	Viola et al.	227/179.1
8,011,554	B2 *	9/2011	Milliman	227/179.1

8,172,123	B2 *	5/2012	Chen et al.	227/180.1
8,267,301	B2 *	9/2012	Milliman et al.	227/176.1
8,322,590	B2 *	12/2012	Patel et al.	227/179.1
8,413,872	B2 *	4/2013	Patel	227/181.1
8,453,911	B2 *	6/2013	Milliman et al.	227/176.1
8,485,414	B2 *	7/2013	Criscuolo et al.	227/179.1

(Continued)

Primary Examiner — Wan Laymon

(57) **CLAIM**

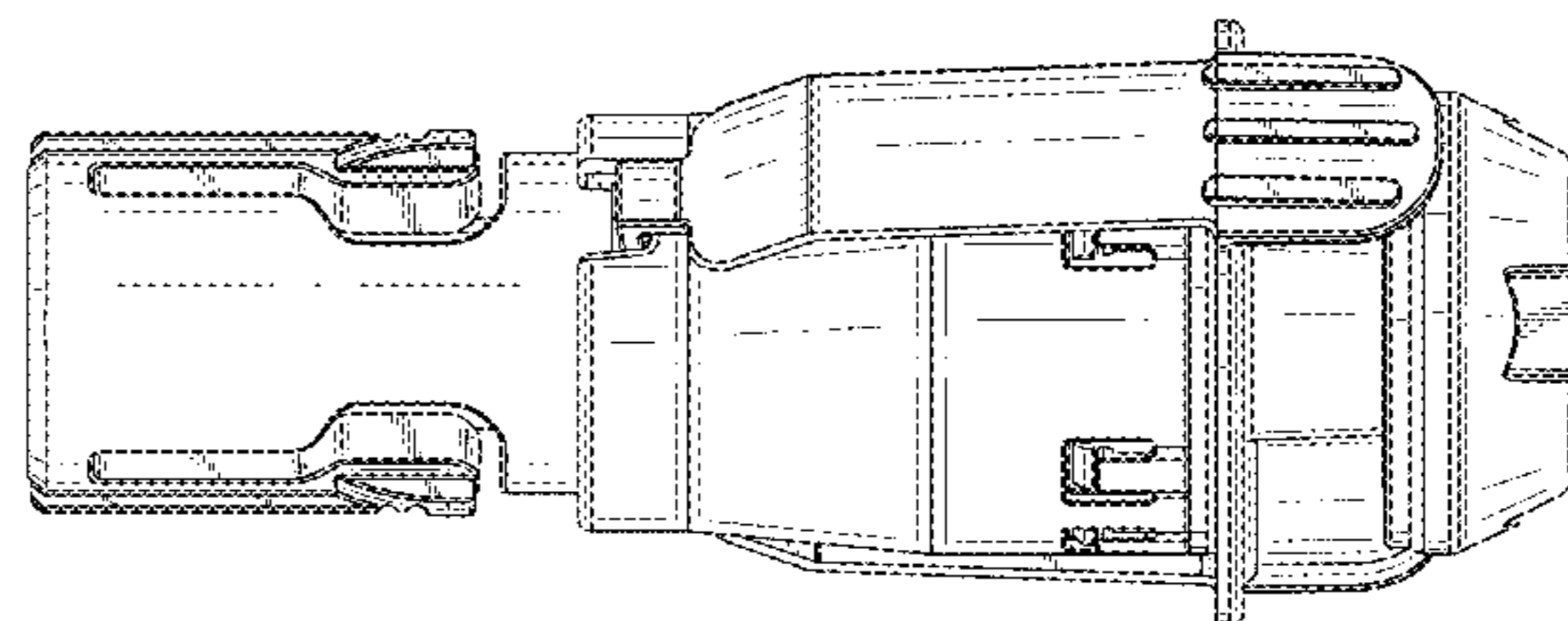
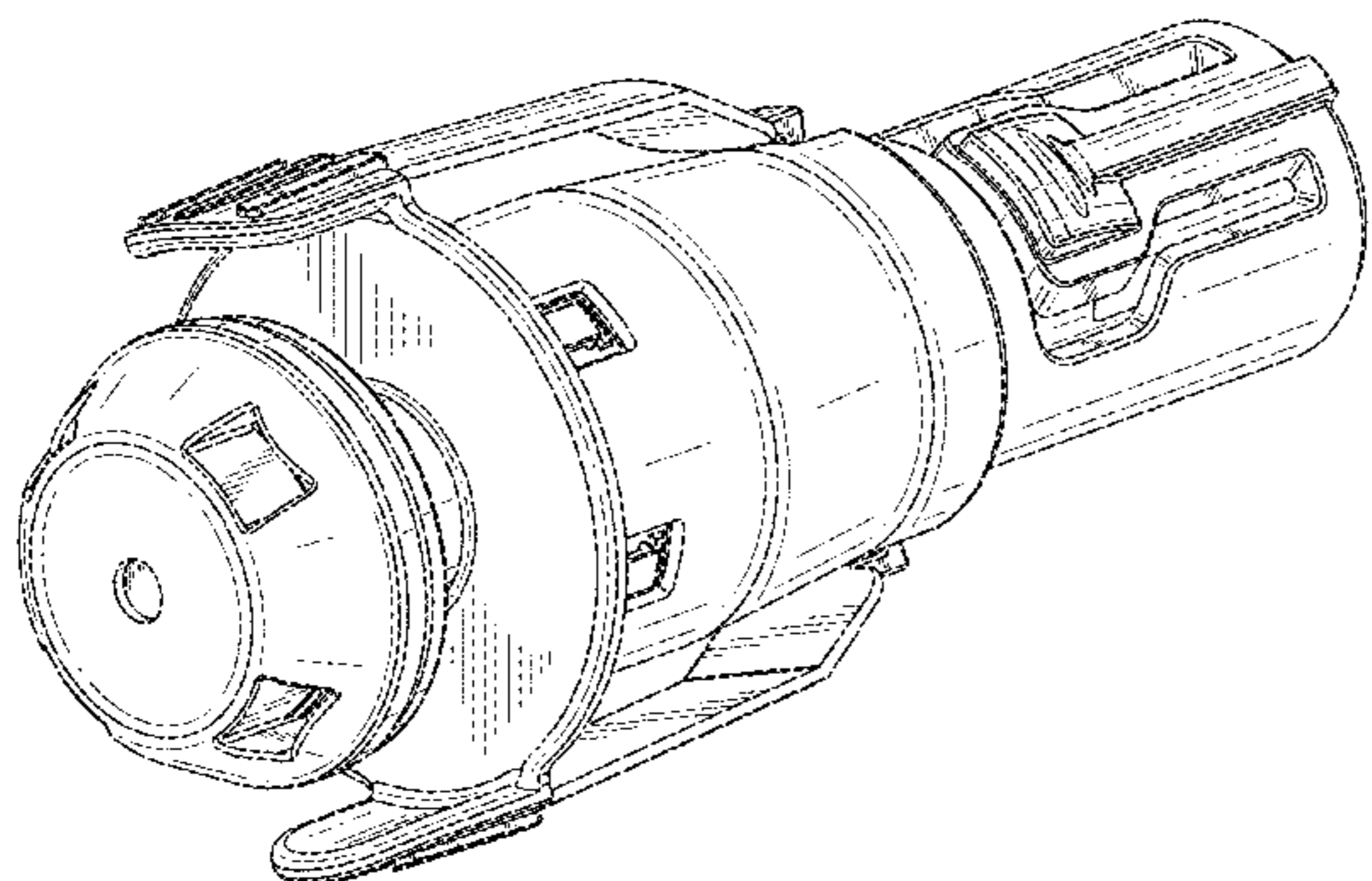
The ornamental design for a surgical stapler cartridge, as shown and described.

DESCRIPTION

FIG. 1 is a Perspective View of the surgical stapler cartridge. FIG. 2 is a Top View thereof. FIG. 3 is a Left Side View thereof. FIG. 4 is a Bottom View thereof. FIG. 5 is a Right Side View thereof. FIG. 6 is a Front View thereof. FIG. 7 is a Rear View thereof. FIG. 8 is another Perspective View of the surgical stapler cartridge. FIG. 9 is a Top View thereof. FIG. 10 is a Left Side View thereof. FIG. 11 is a Bottom View thereof. FIG. 12 is a Right Side View thereof. FIG. 13 is a Front View thereof. FIG. 14 is a Rear View thereof. FIG. 15 is another Perspective View of the surgical stapler cartridge. FIG. 16 is a Top View thereof. FIG. 17 is a Left Side View thereof. FIG. 18 is a Bottom View thereof. FIG. 19 is a Right Side View thereof. FIG. 20 is a Front View thereof; and, FIG. 21 is a Rear View thereof.

The broken lines shown in the figures are included for the purpose of illustrating portions of the surgical stapler cartridge and form no part of the claimed design.

1 Claim, 12 Drawing Sheets



US D726,315 S

Page 2

(56)

References Cited

U.S. PATENT DOCUMENTS

	2010/0237132	A1	9/2010	Measamer et al.	
	2012/0292366	A1*	11/2012	Nalagatla et al.	227/175.1
	2014/0332579	A1*	11/2014	Nalagatla et al.	227/175.1
D707,819 S	*	6/2014	Nalagatla et al.	D24/145	* cited by examiner

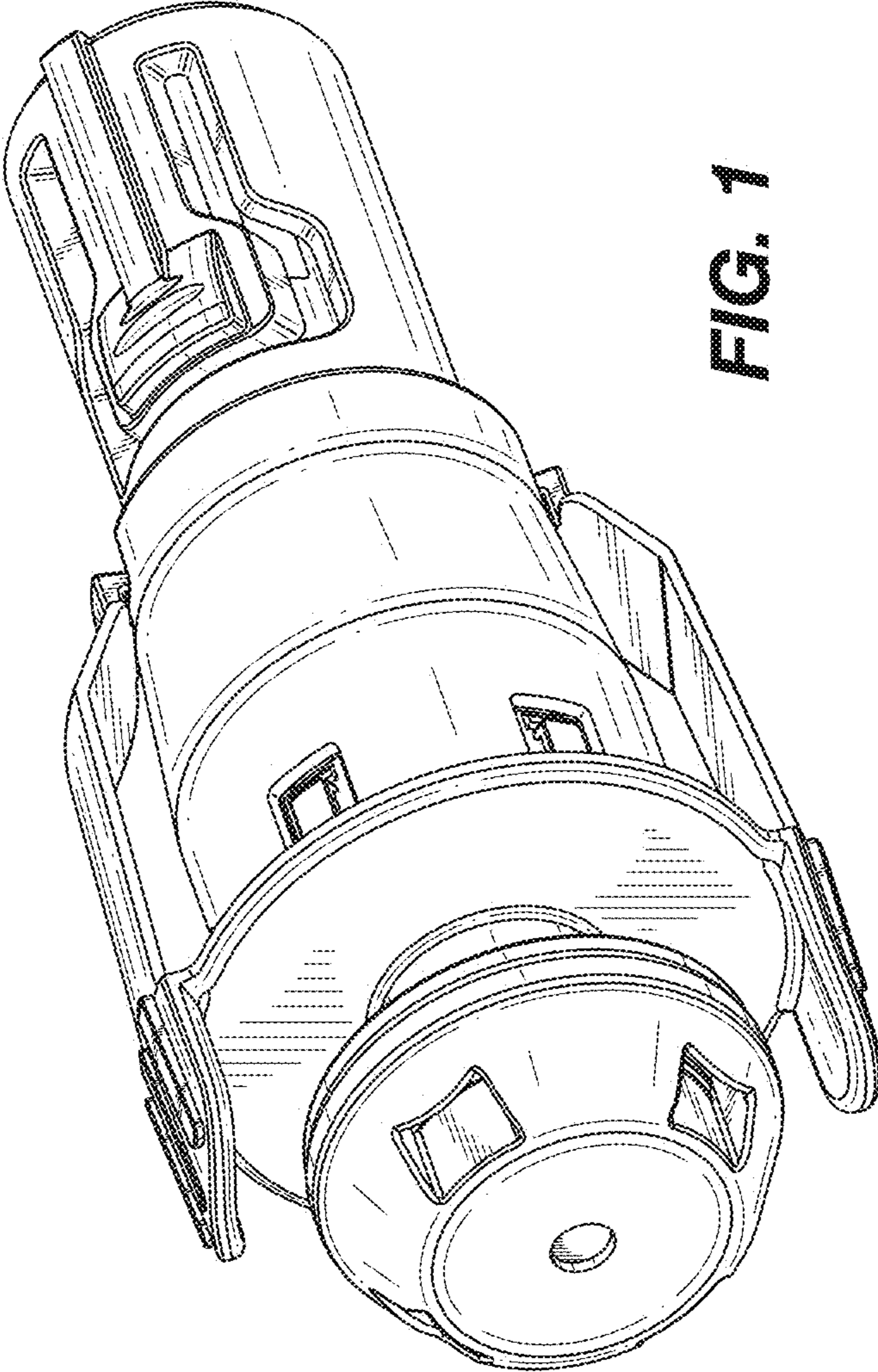


FIG. 1

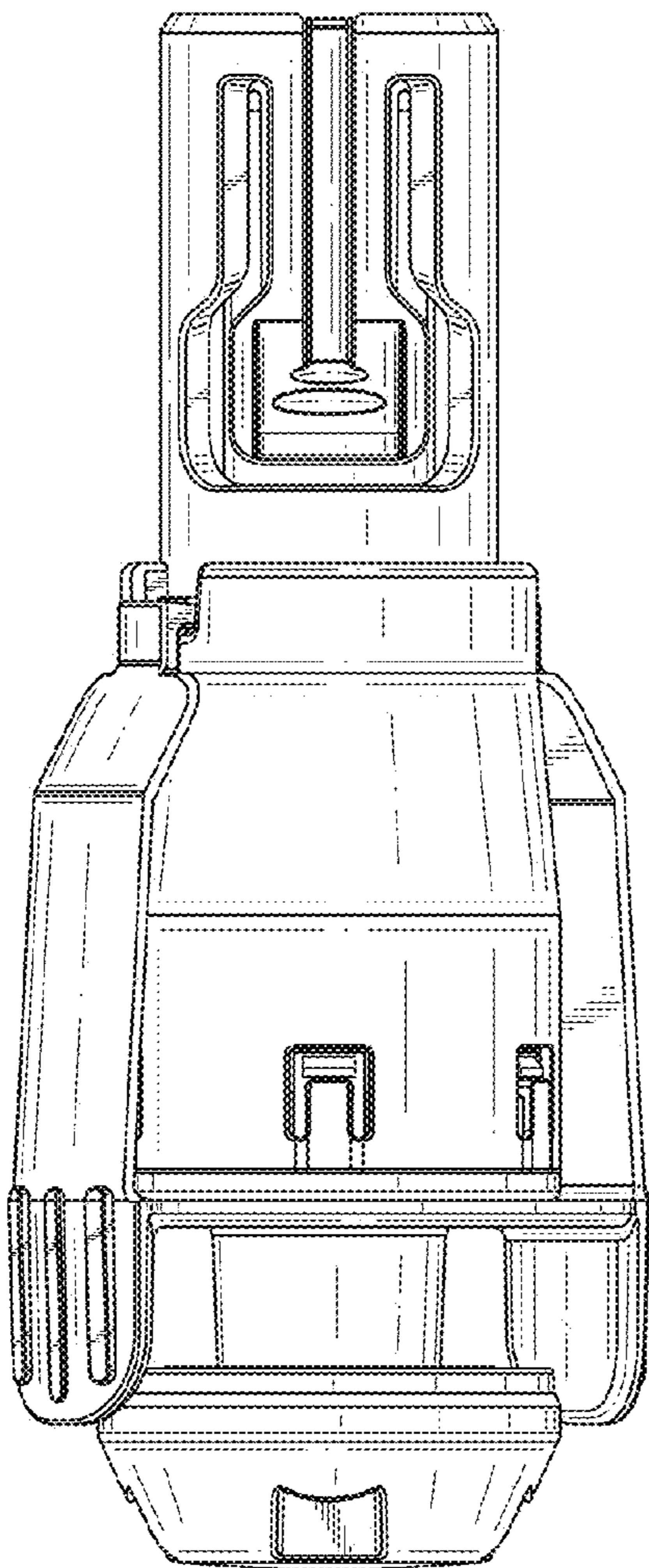


FIG. 2

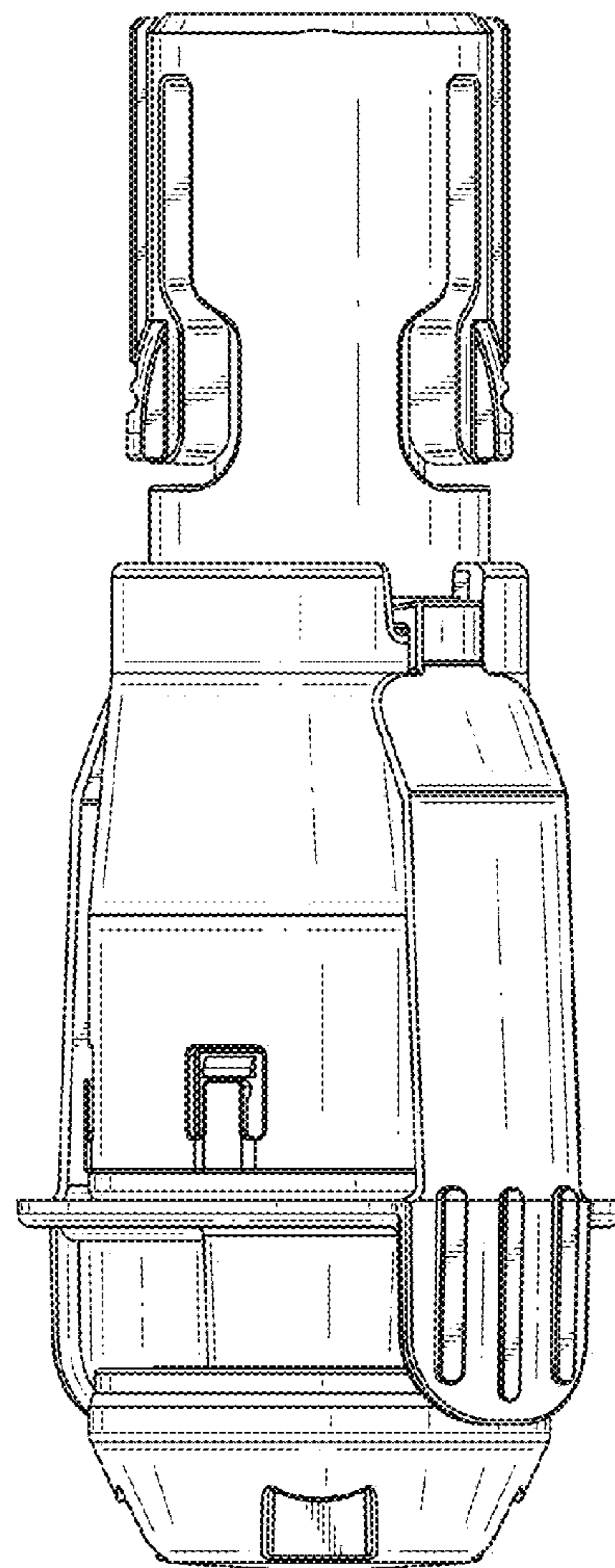


FIG. 3

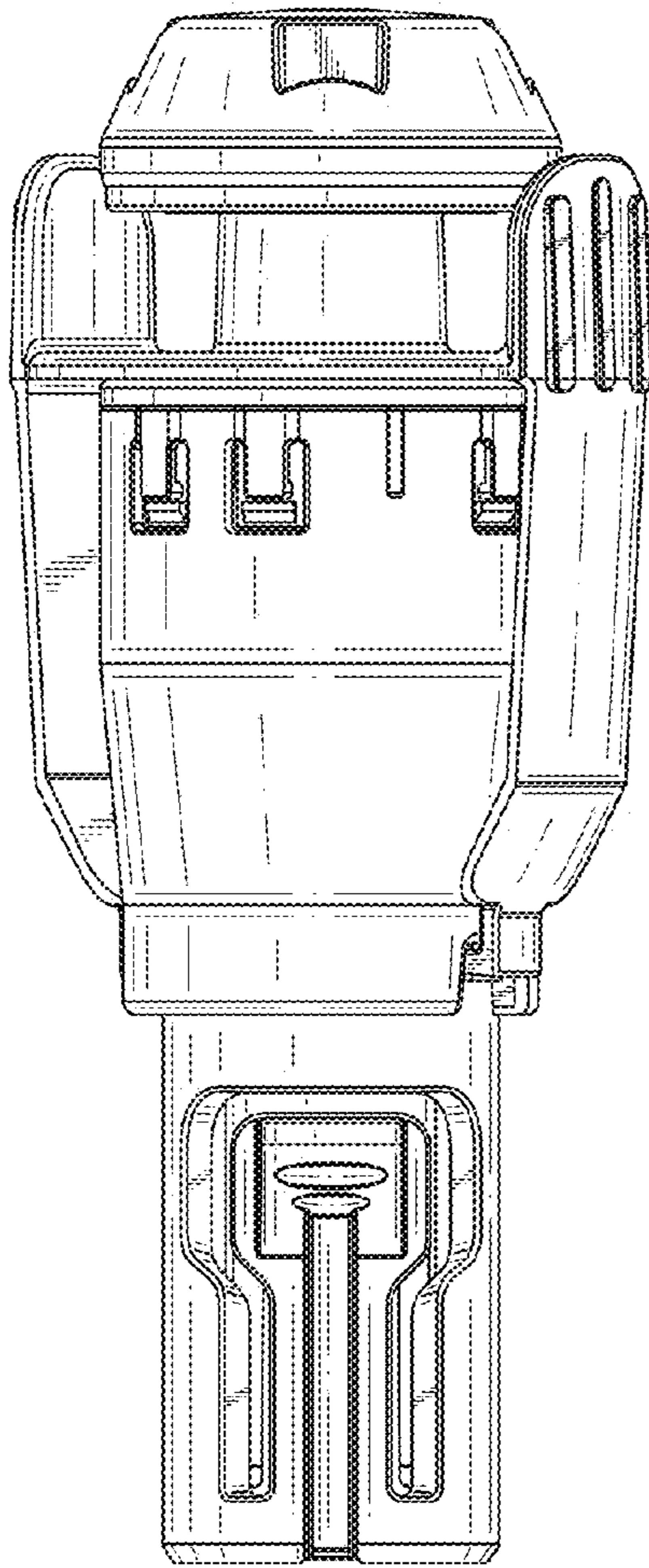


FIG. 4

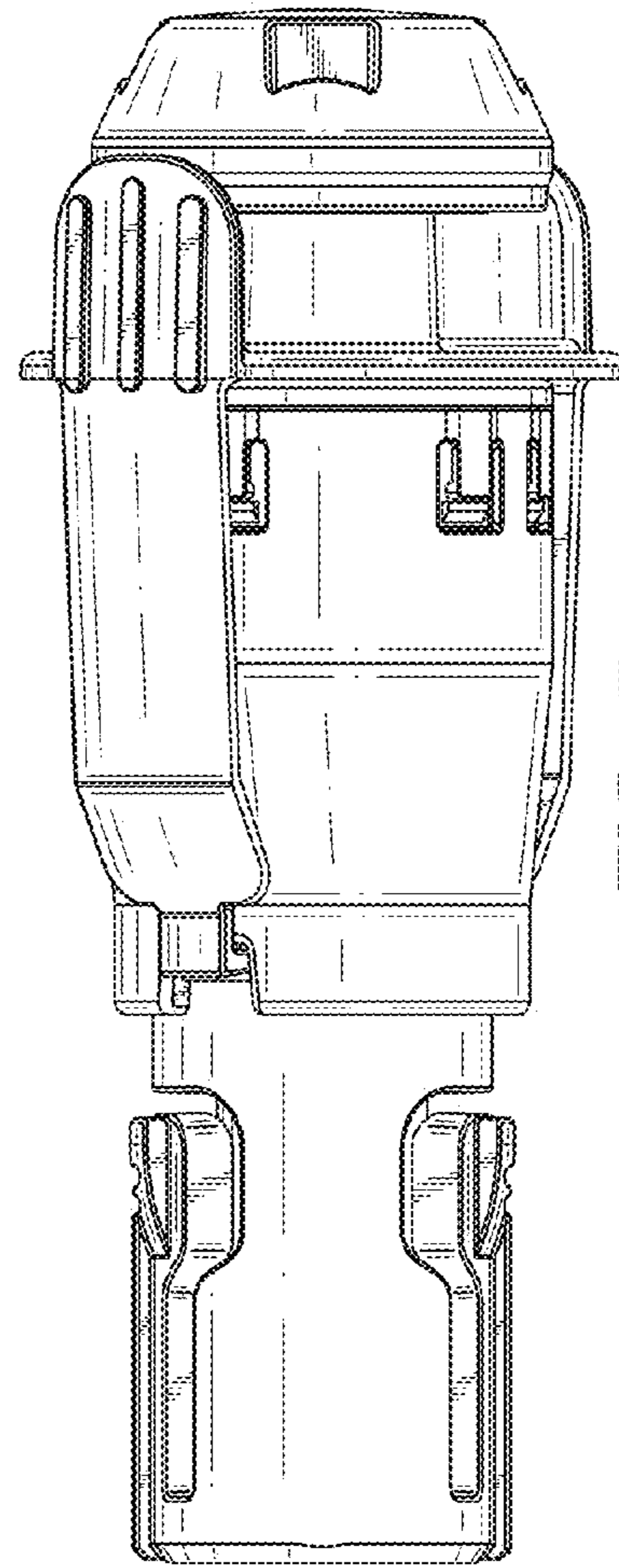


FIG. 5

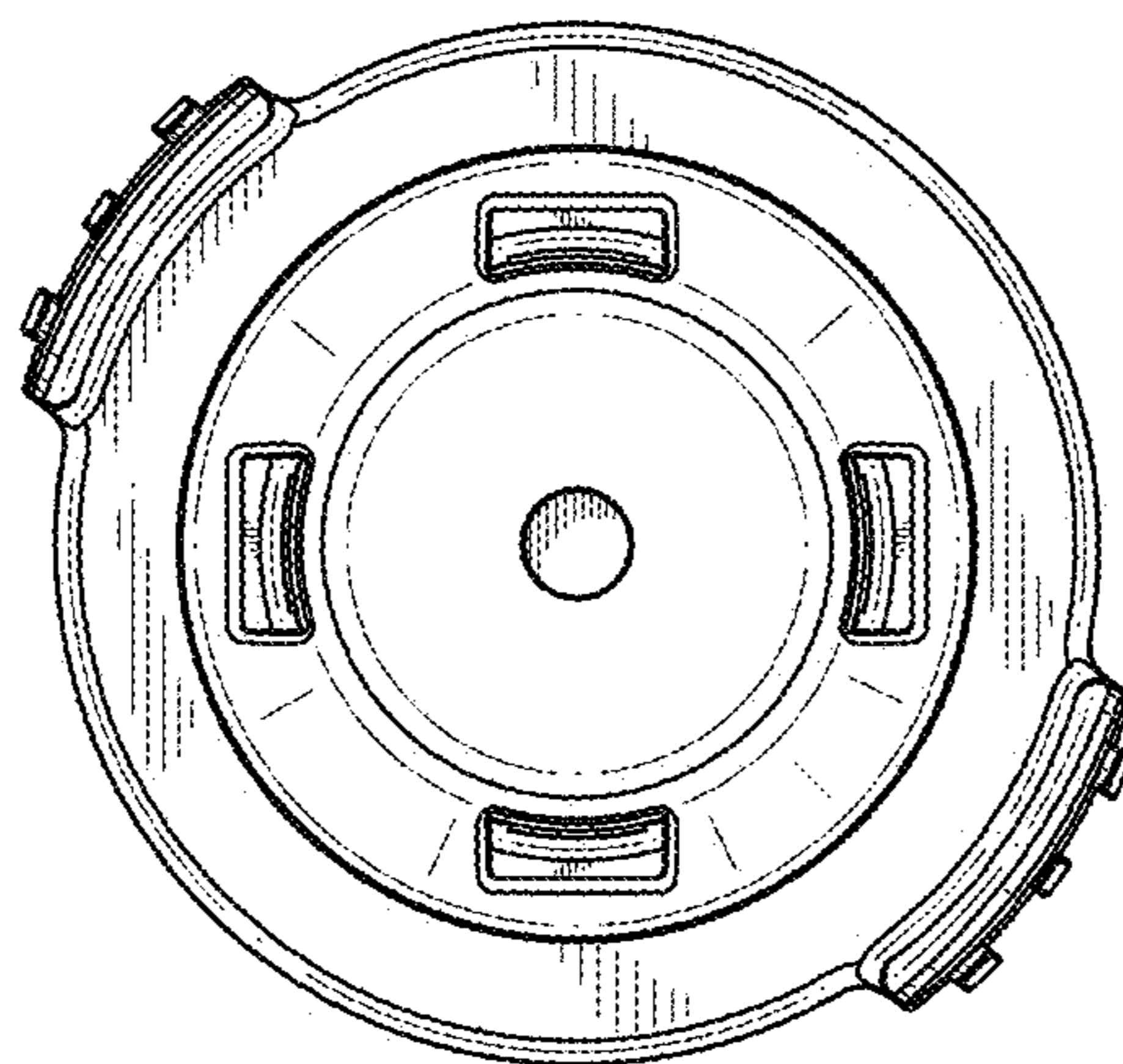


FIG. 6

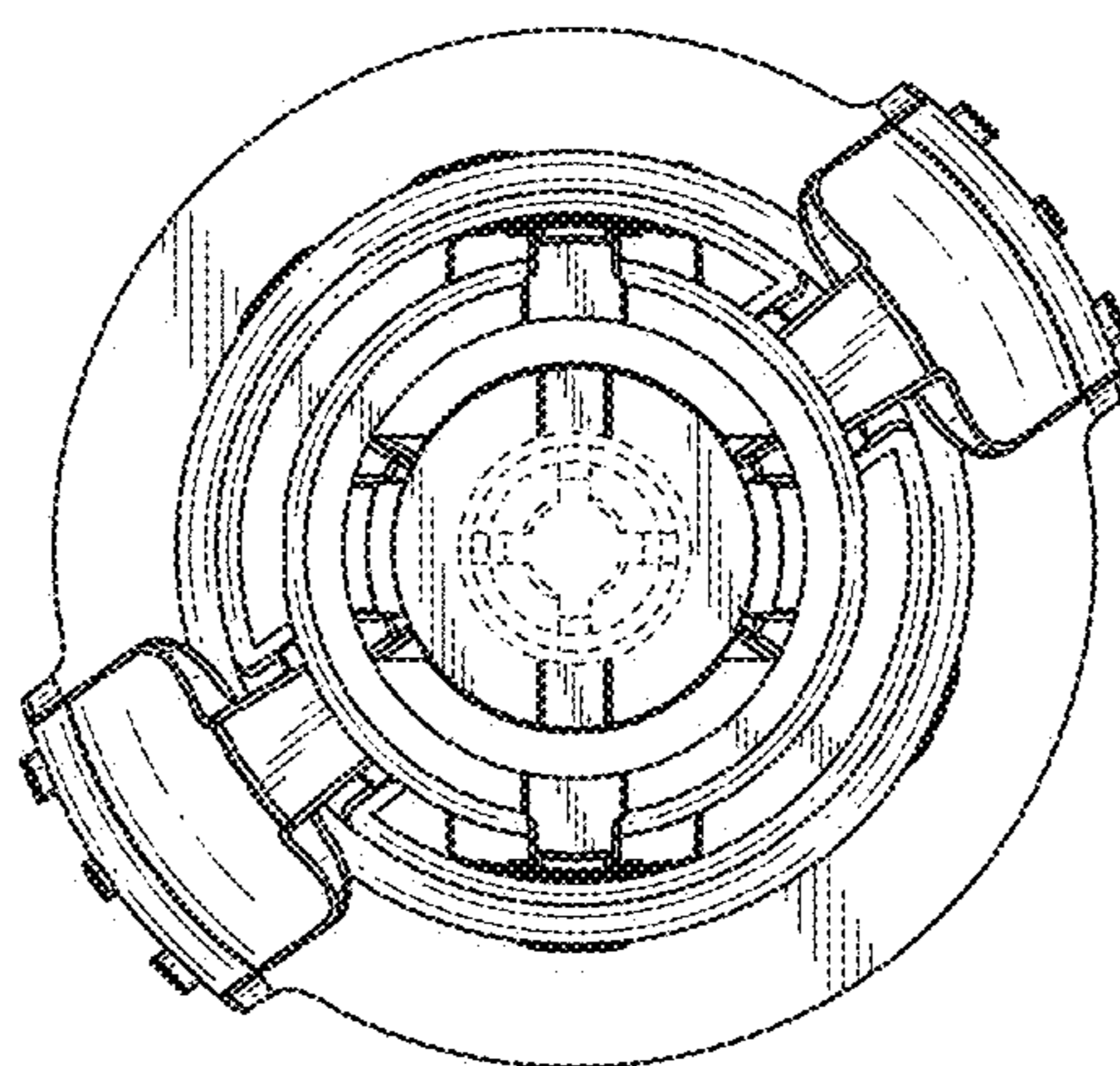


FIG. 7

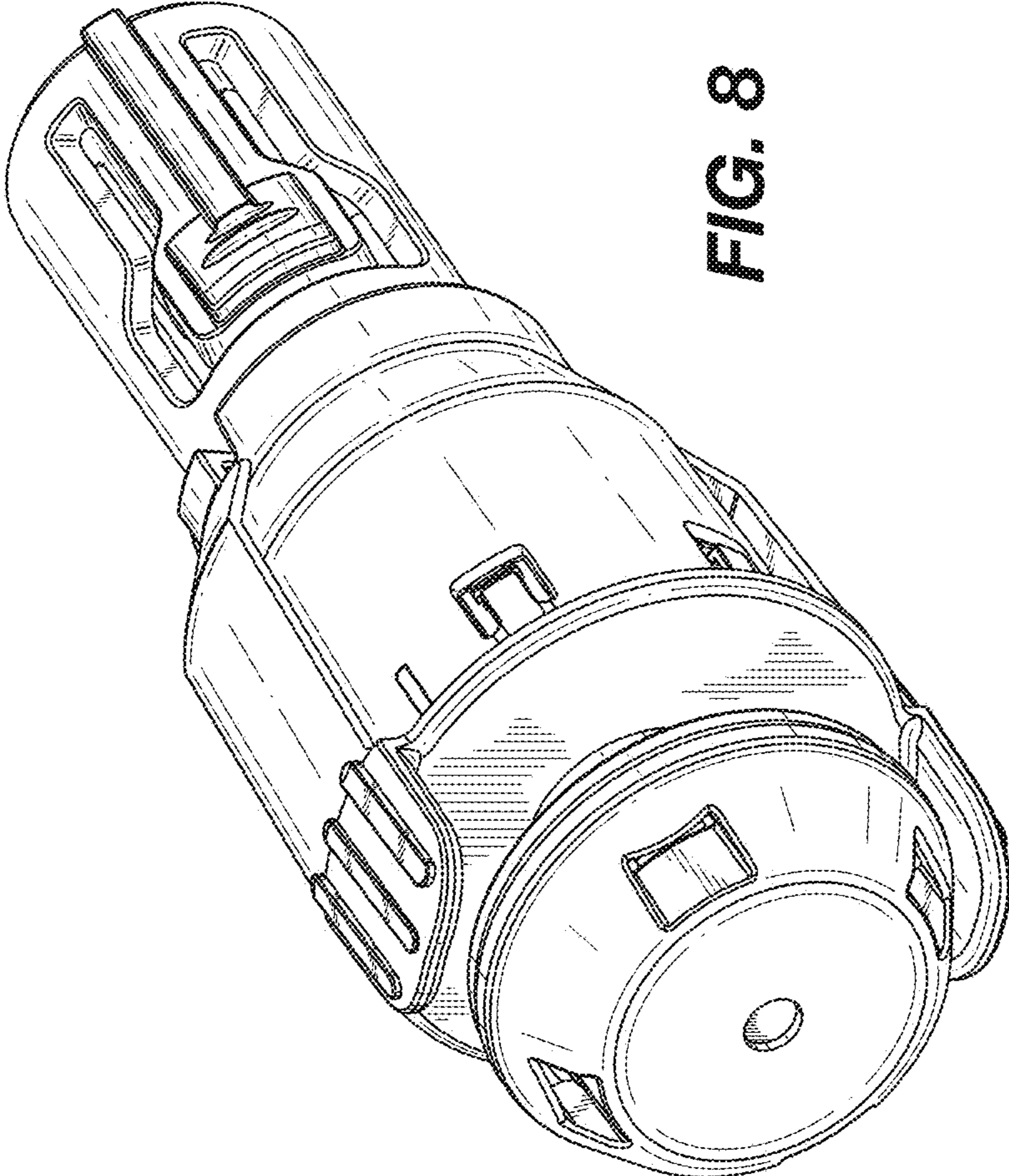


FIG. 8

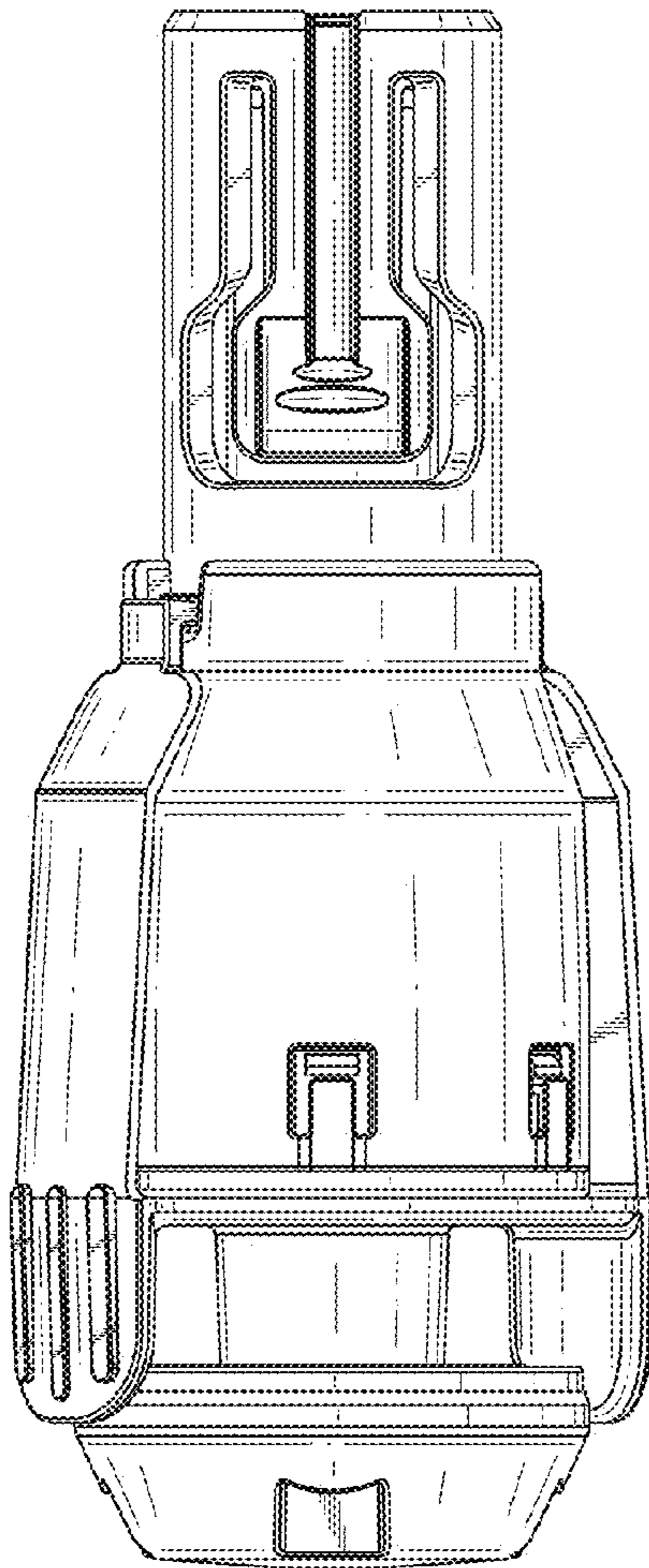


FIG. 9

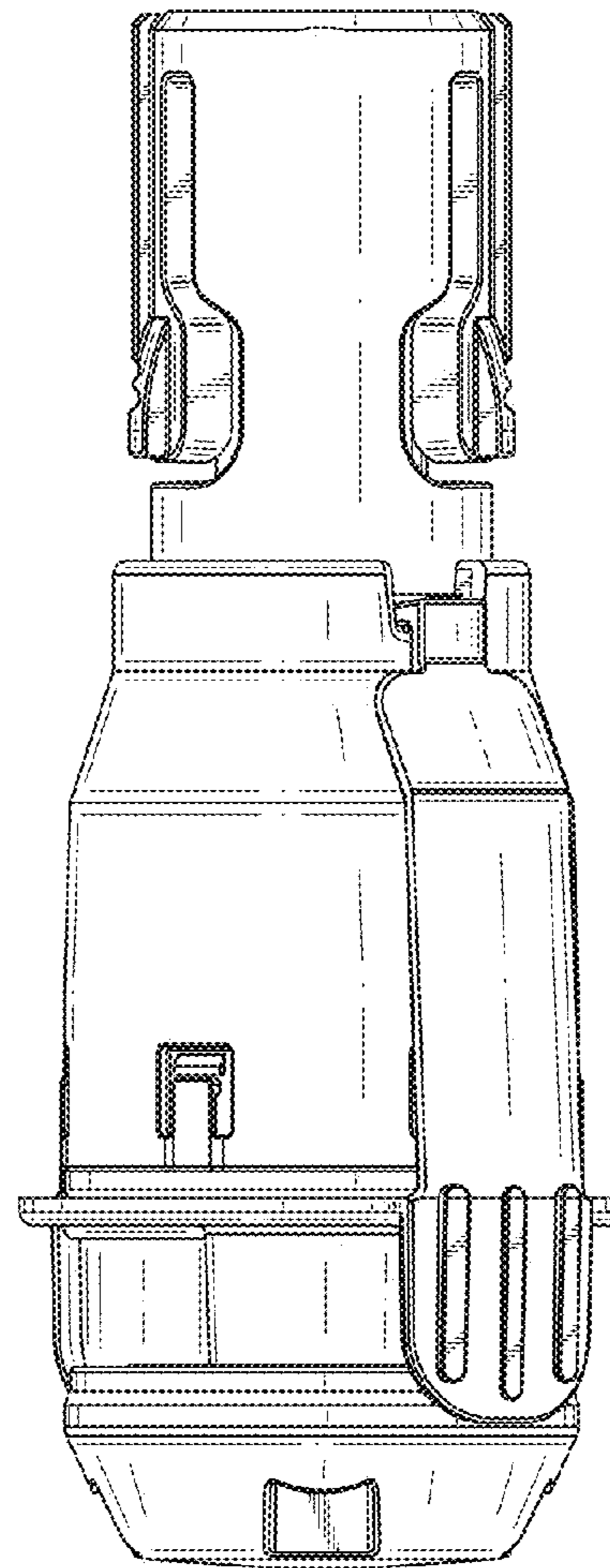


FIG. 10

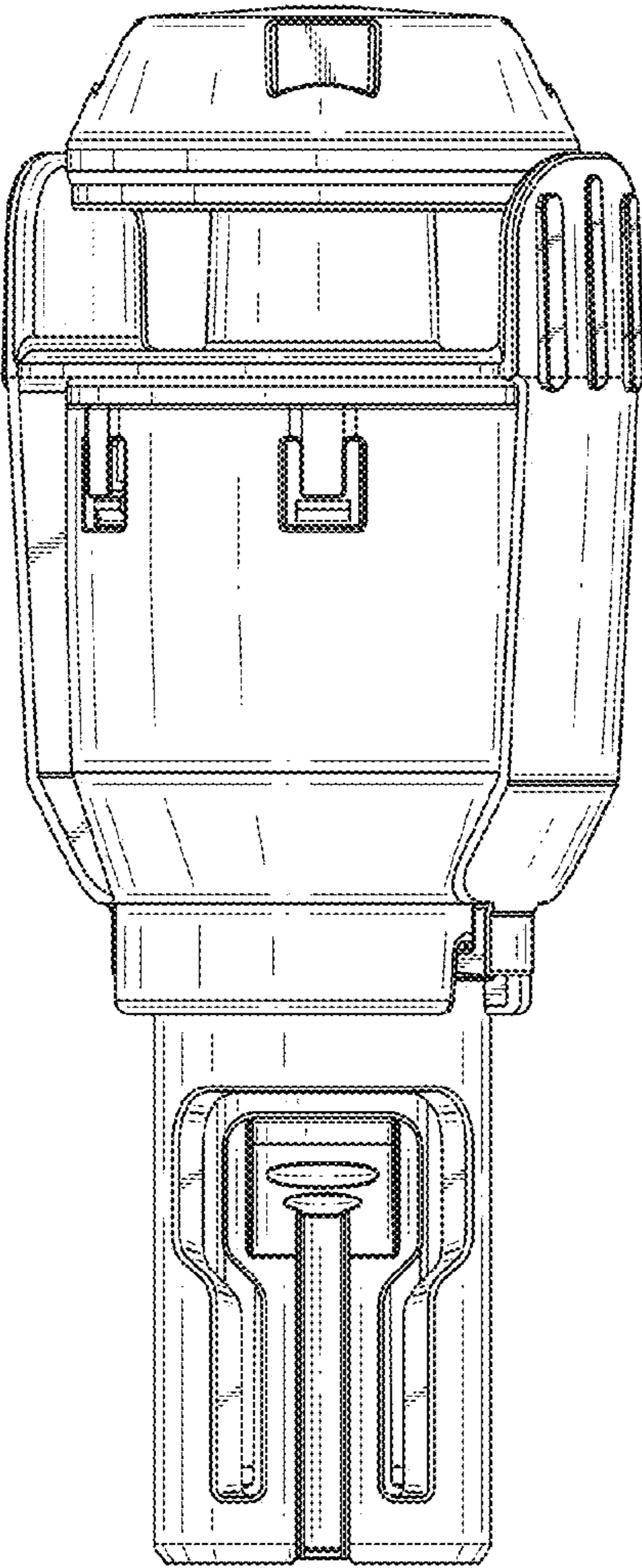


FIG. 11

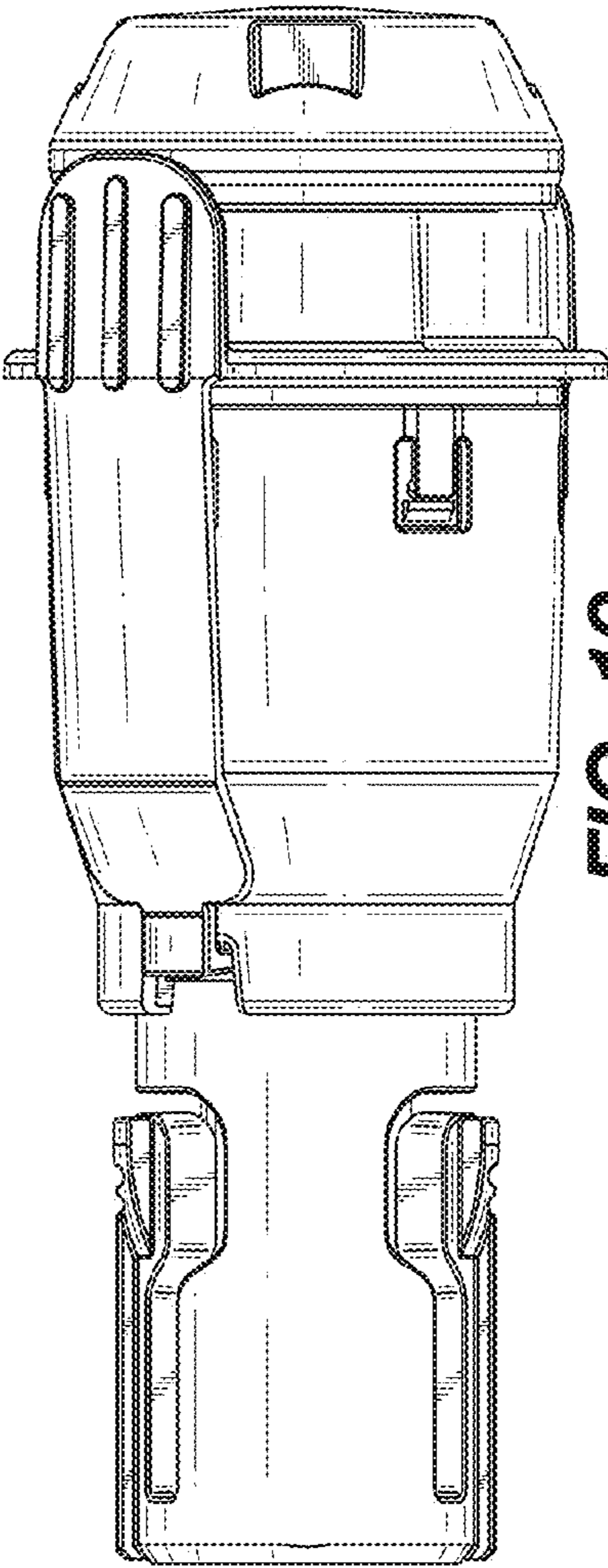


FIG. 12

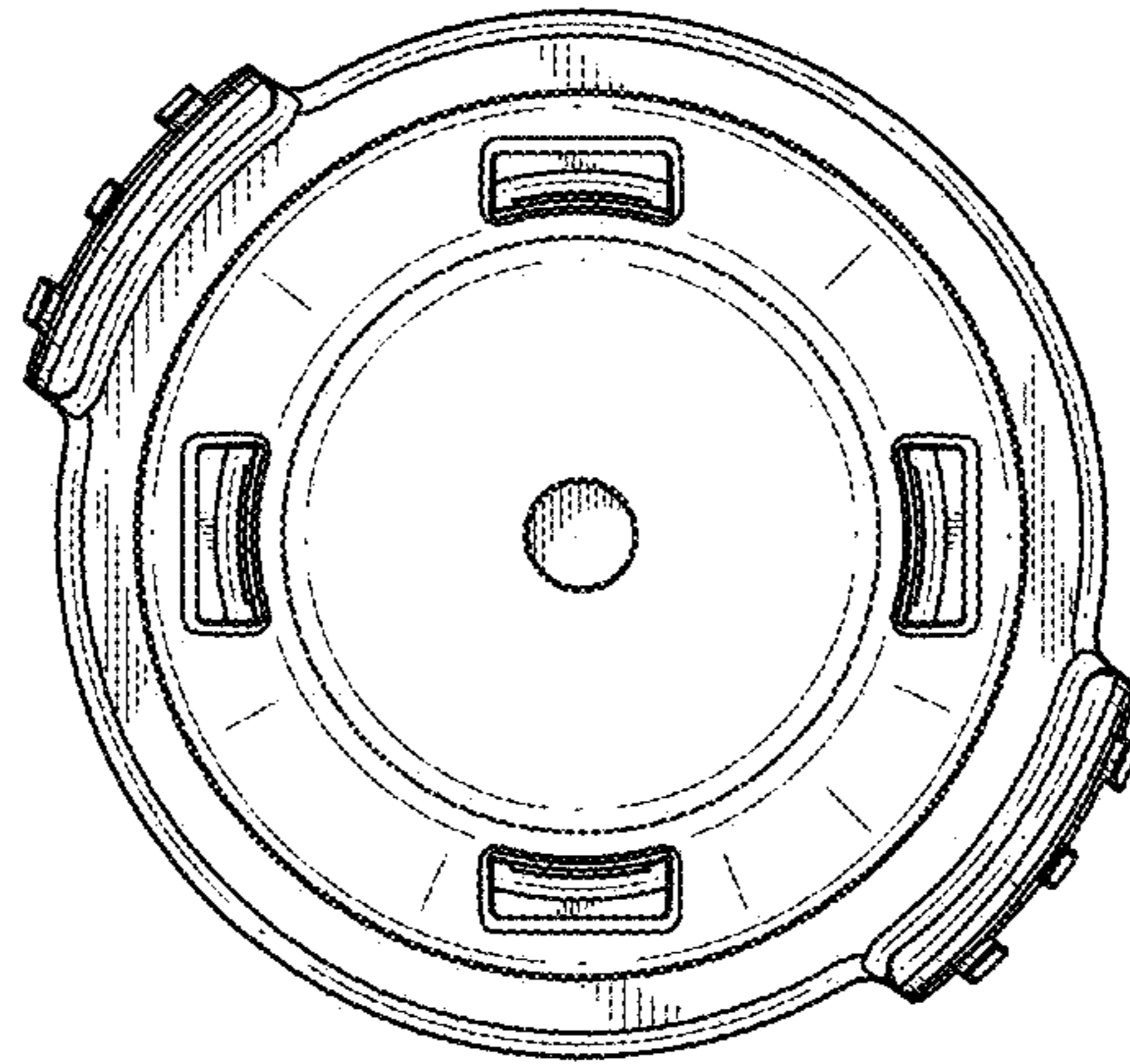


FIG. 13

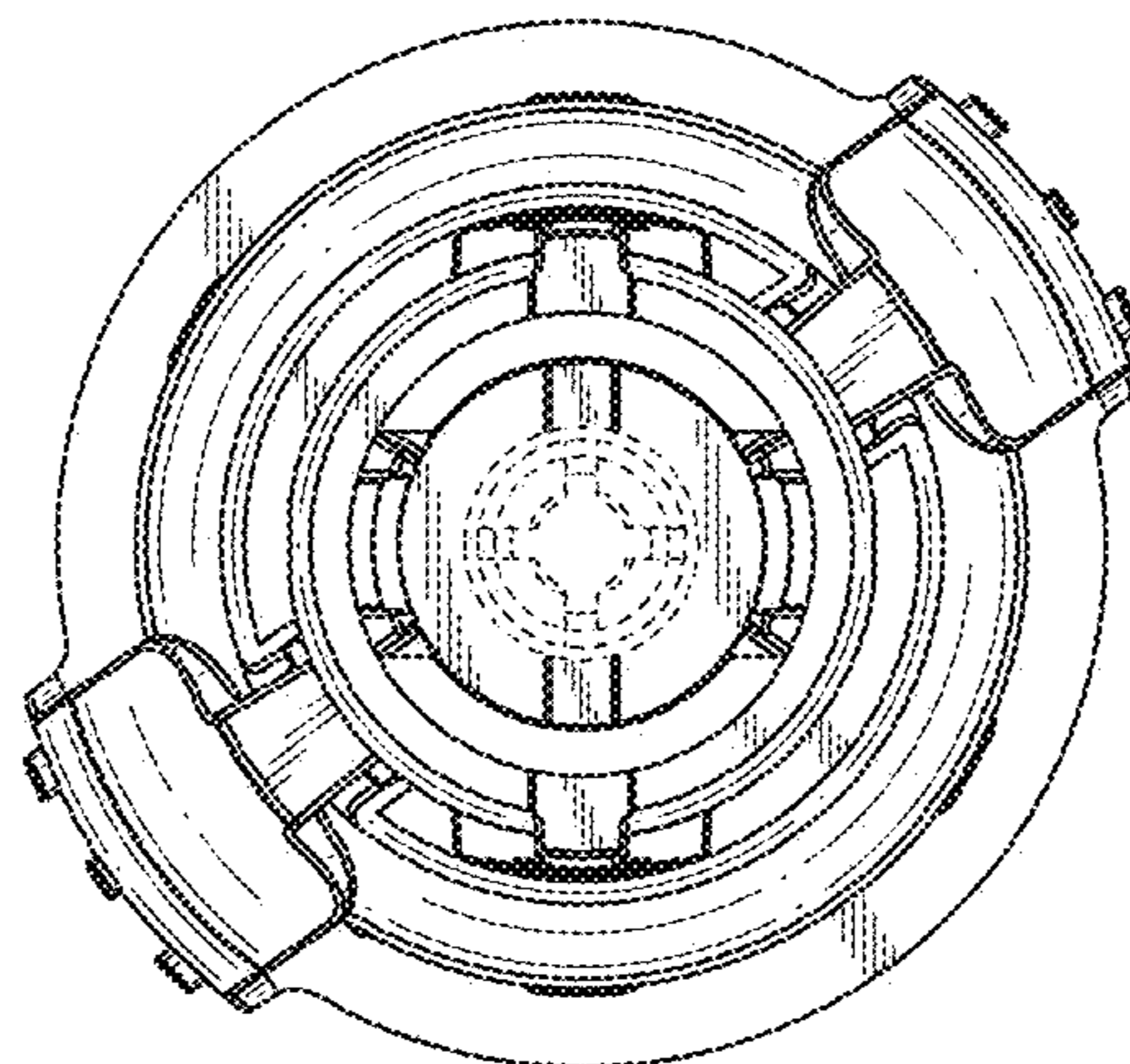


FIG. 14

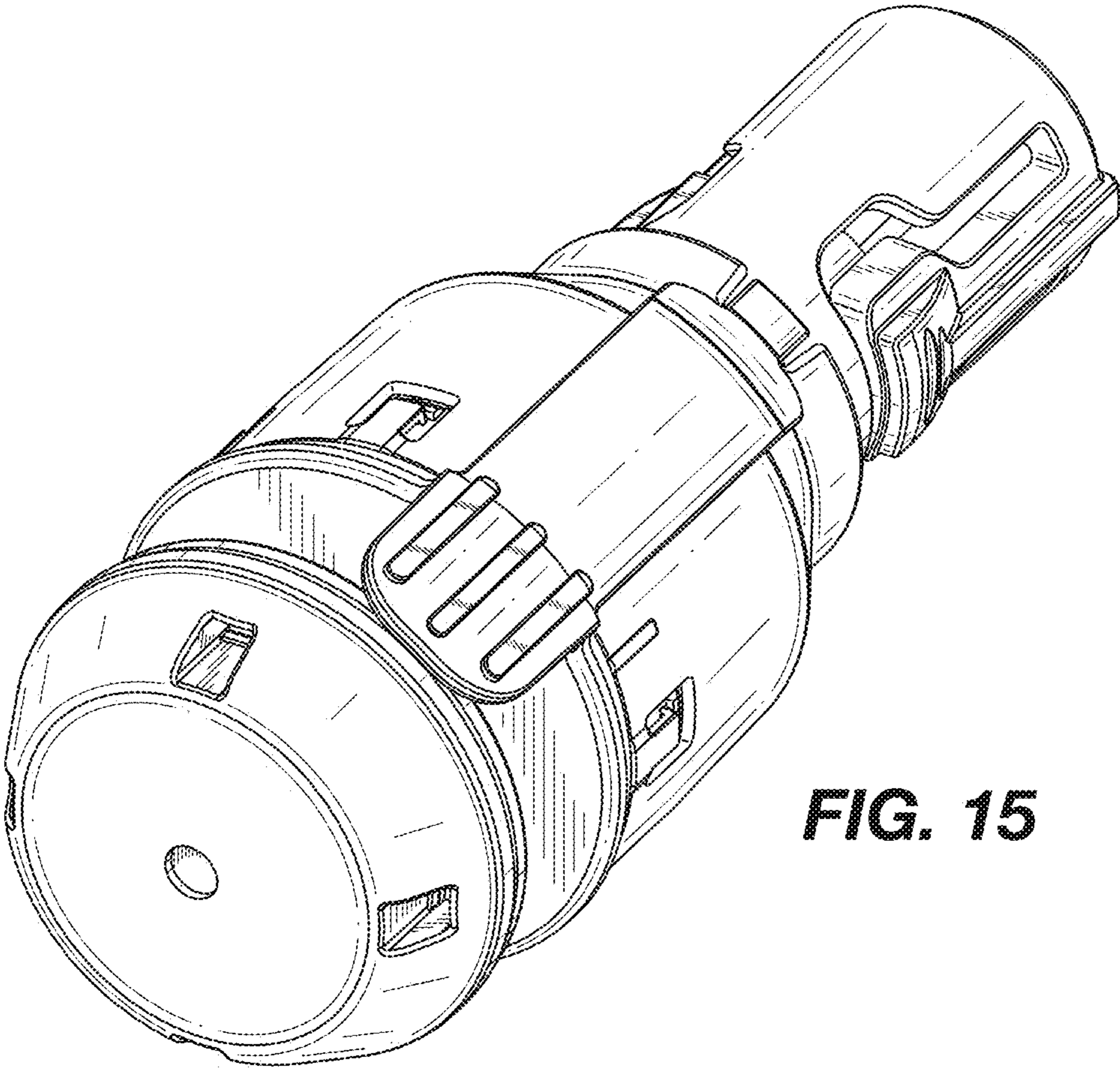


FIG. 15

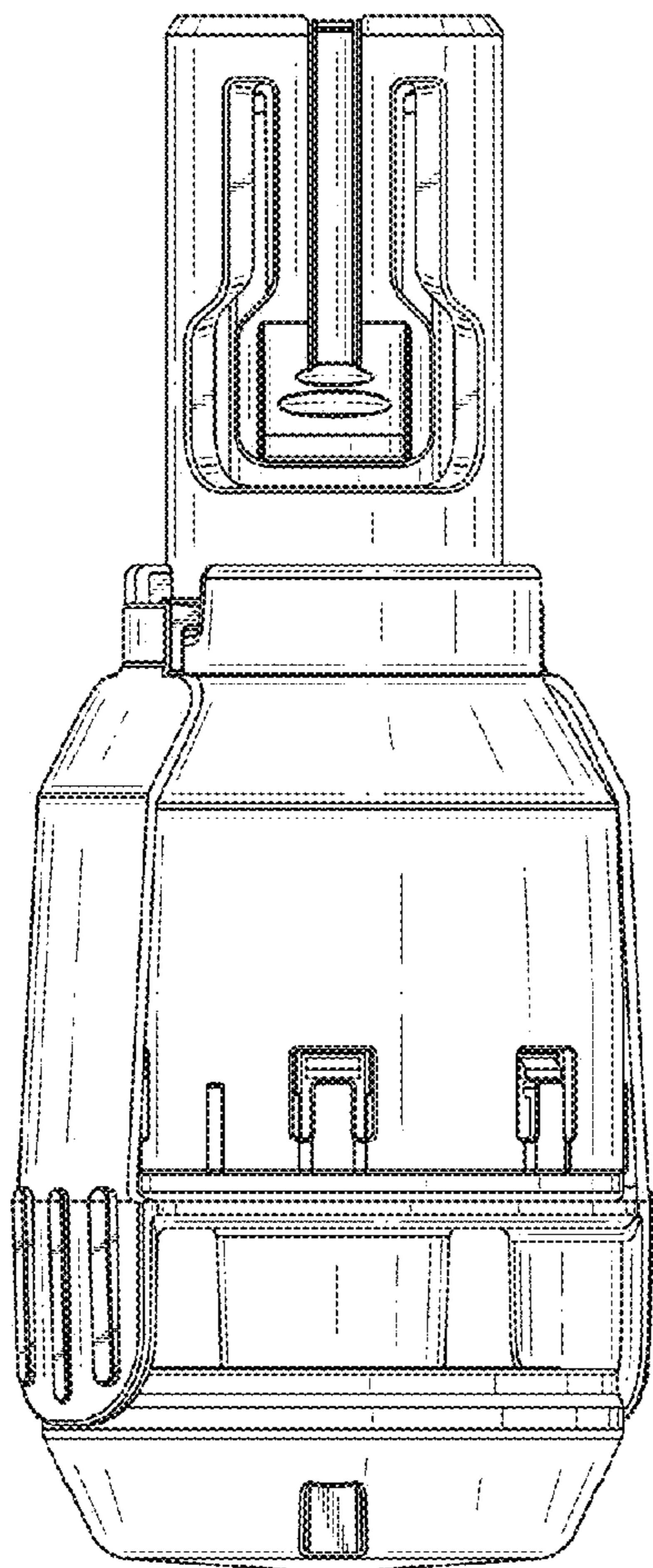


FIG. 16

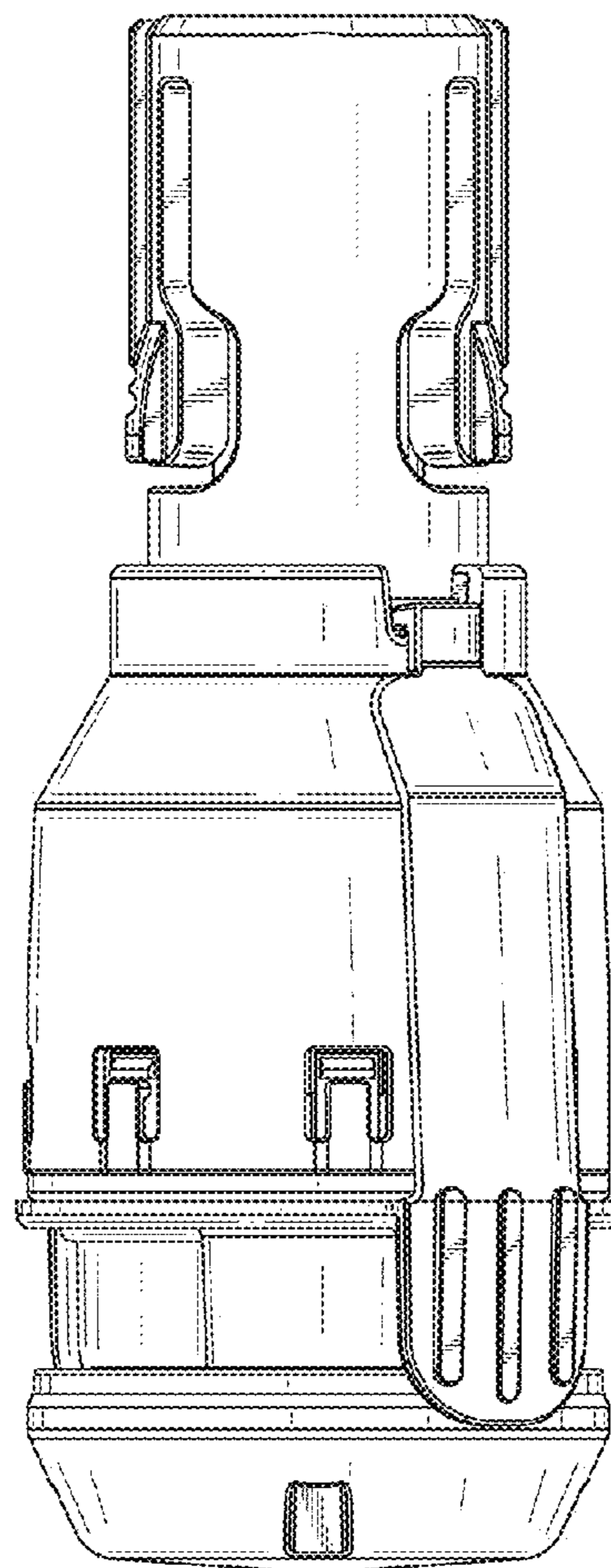


FIG. 17

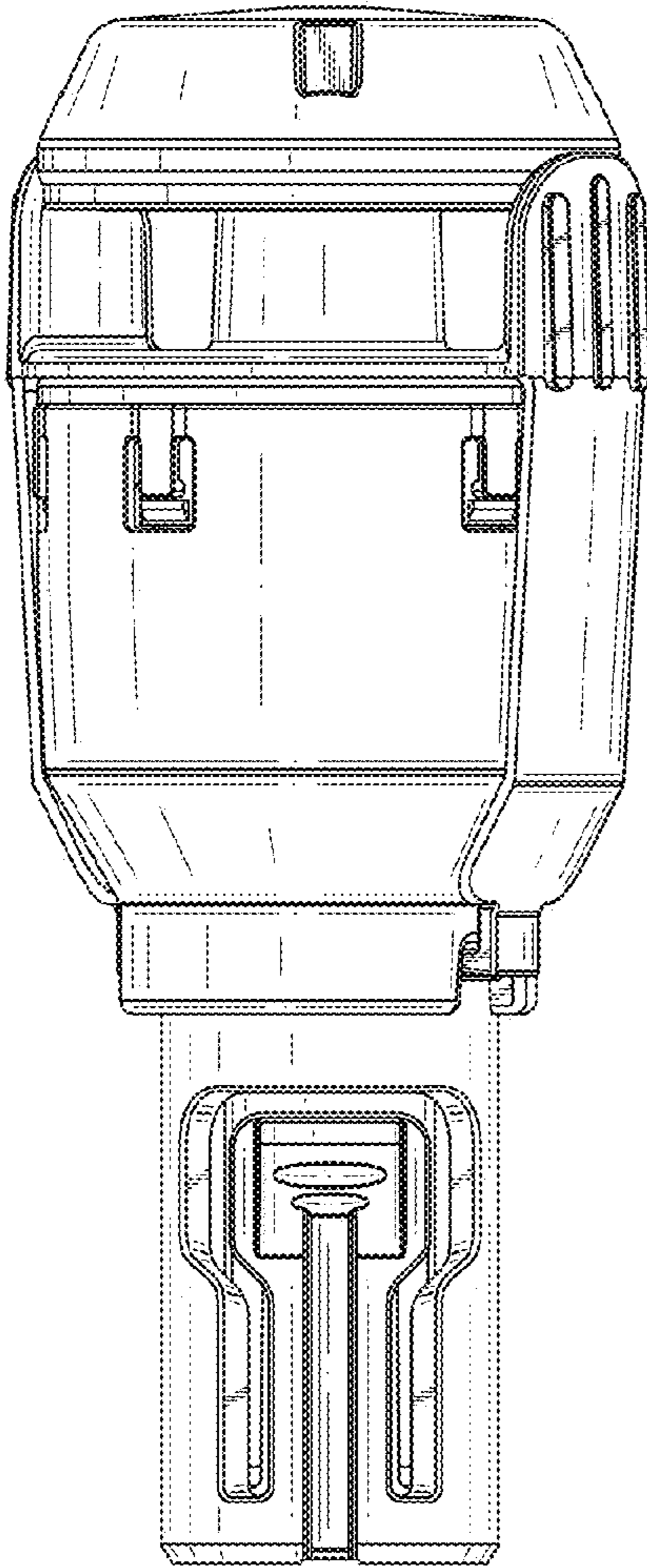


FIG. 18

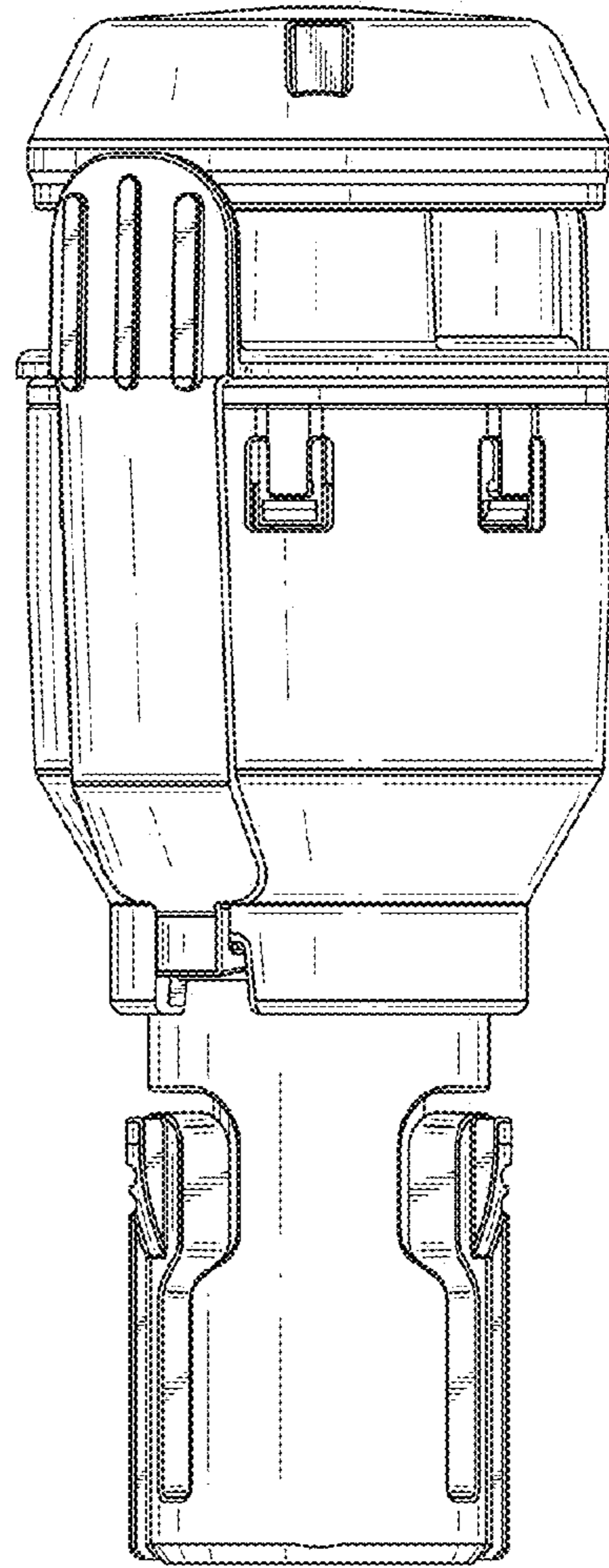


FIG. 19

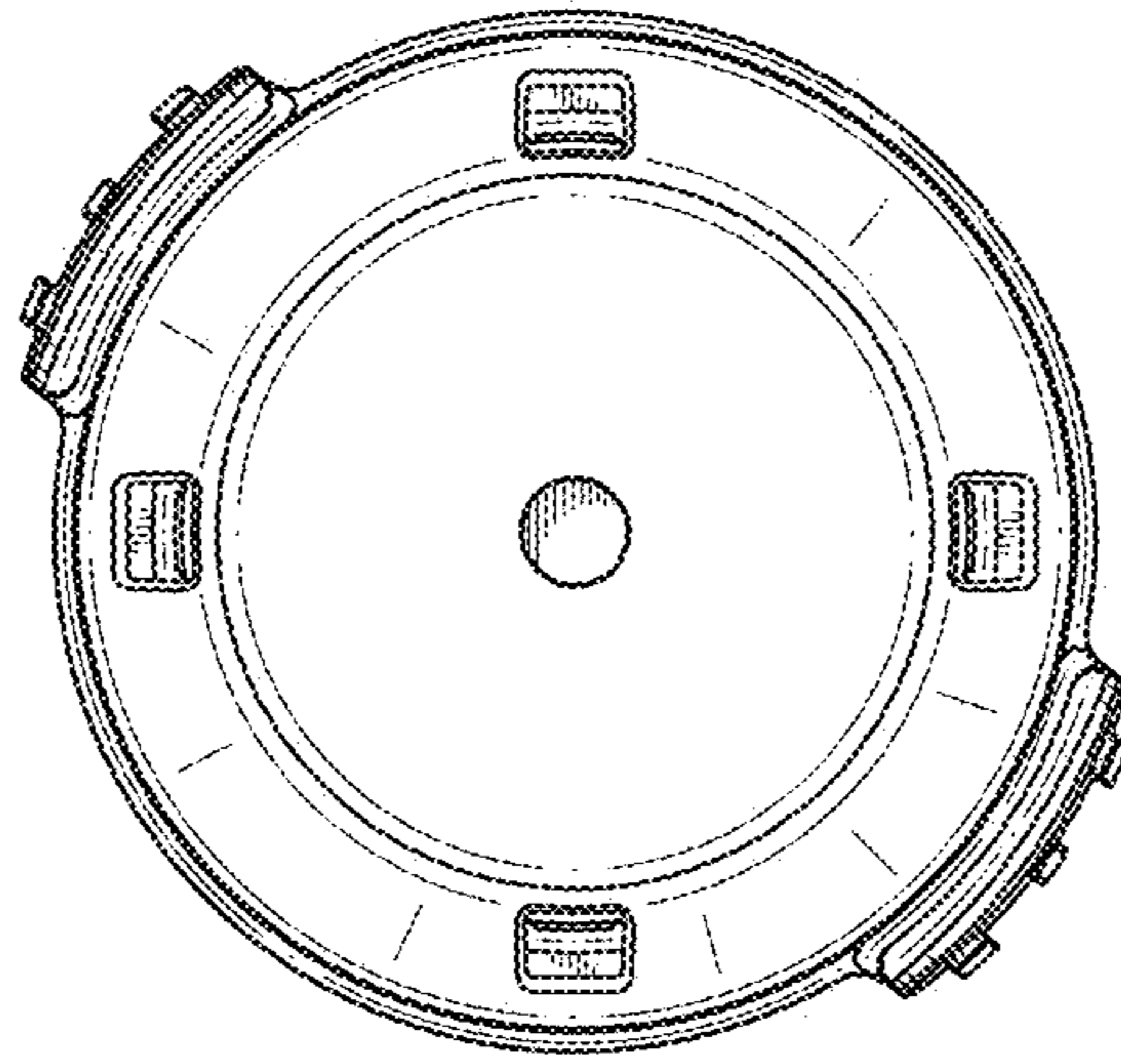


FIG. 20

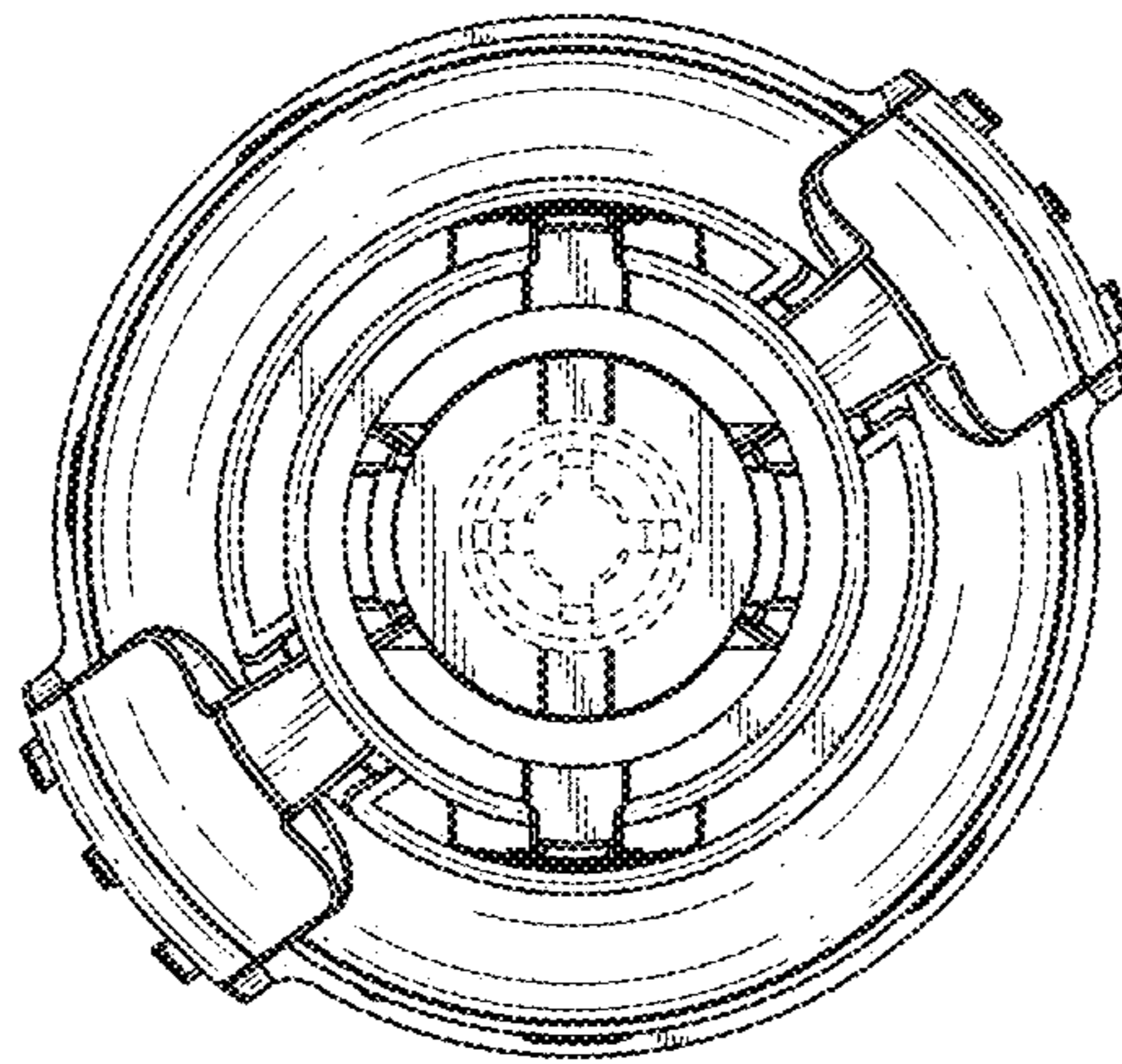


FIG. 21