



US00D726314S

(12) **United States Design Patent**
Marquez

(10) **Patent No.:** **US D726,314 S**

(45) **Date of Patent:** **** Apr. 7, 2015**

(54) **MICRO-NEEDLING TATTOO MACHINE**

(71) Applicant: **Claire A. Marquez**, Miami, FL (US)

(72) Inventor: **Claire A. Marquez**, Miami, FL (US)

(**) Term: **14 Years**

(21) Appl. No.: **29/470,666**

(22) Filed: **Oct. 23, 2013**

(51) **LOC (10) Cl.** **24-02**

(52) **U.S. Cl.**
USPC **D24/144**

(58) **Field of Classification Search**
USPC D24/144, 170, 146; 81/9.22; 606/9,
606/185-186; 604/47
See application file for complete search history.

(56) **References Cited**

U.S. PATENT DOCUMENTS

4,204,438	A *	5/1980	Binaris et al.	81/9.22
4,914,988	A *	4/1990	Chang	81/9.22
5,279,552	A *	1/1994	Magnet	604/47
6,033,421	A *	3/2000	Theiss et al.	606/186

7,695,486	B2 *	4/2010	Dixon	606/186
8,414,531	B2 *	4/2013	Oginski et al.	606/186
2008/0208235	A1 *	8/2008	Ulmer et al.	606/186

* cited by examiner

Primary Examiner — Wan Laymon

(74) *Attorney, Agent, or Firm* — QuickPatents; Kevin Prince

(57) **CLAIM**

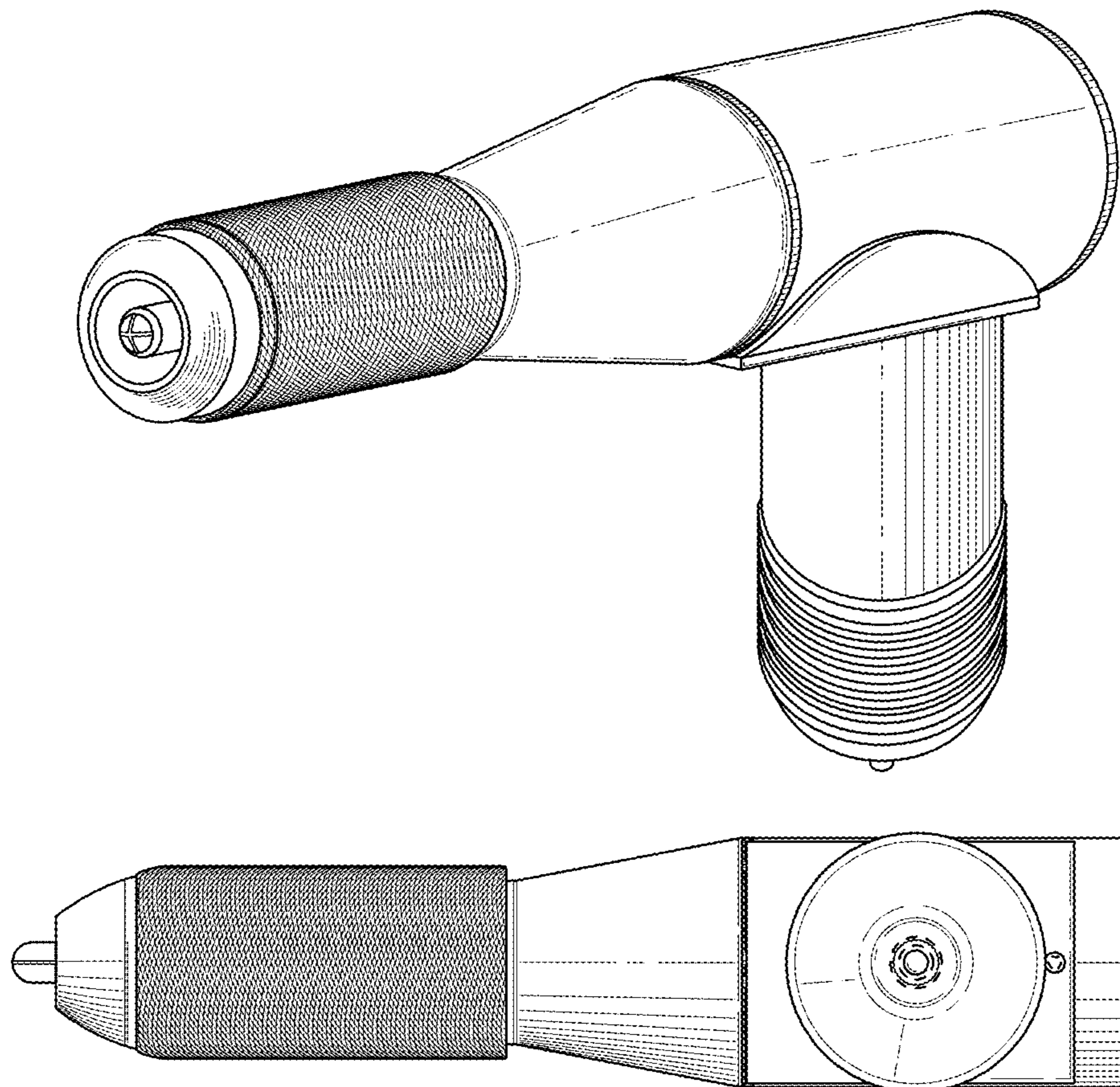
I claim the ornamental design for a micro-needling tattoo machine, as shown and described.

DESCRIPTION

FIG. 1 is a perspective view of a micro-needling tattoo machine, showing my new design; FIG. 2 is a bottom plan view thereof; FIG. 3 is a top plan view thereof; FIG. 4 is a right-side elevational view thereof, the left-side elevational view being a mirror image thereof; FIG. 5 is a rear elevational view thereof; and, FIG. 6 is a front elevational view thereof.

The broken lines in FIGS. 2 and 5 depict environmental matter that forms no part of the claimed design.

1 Claim, 2 Drawing Sheets



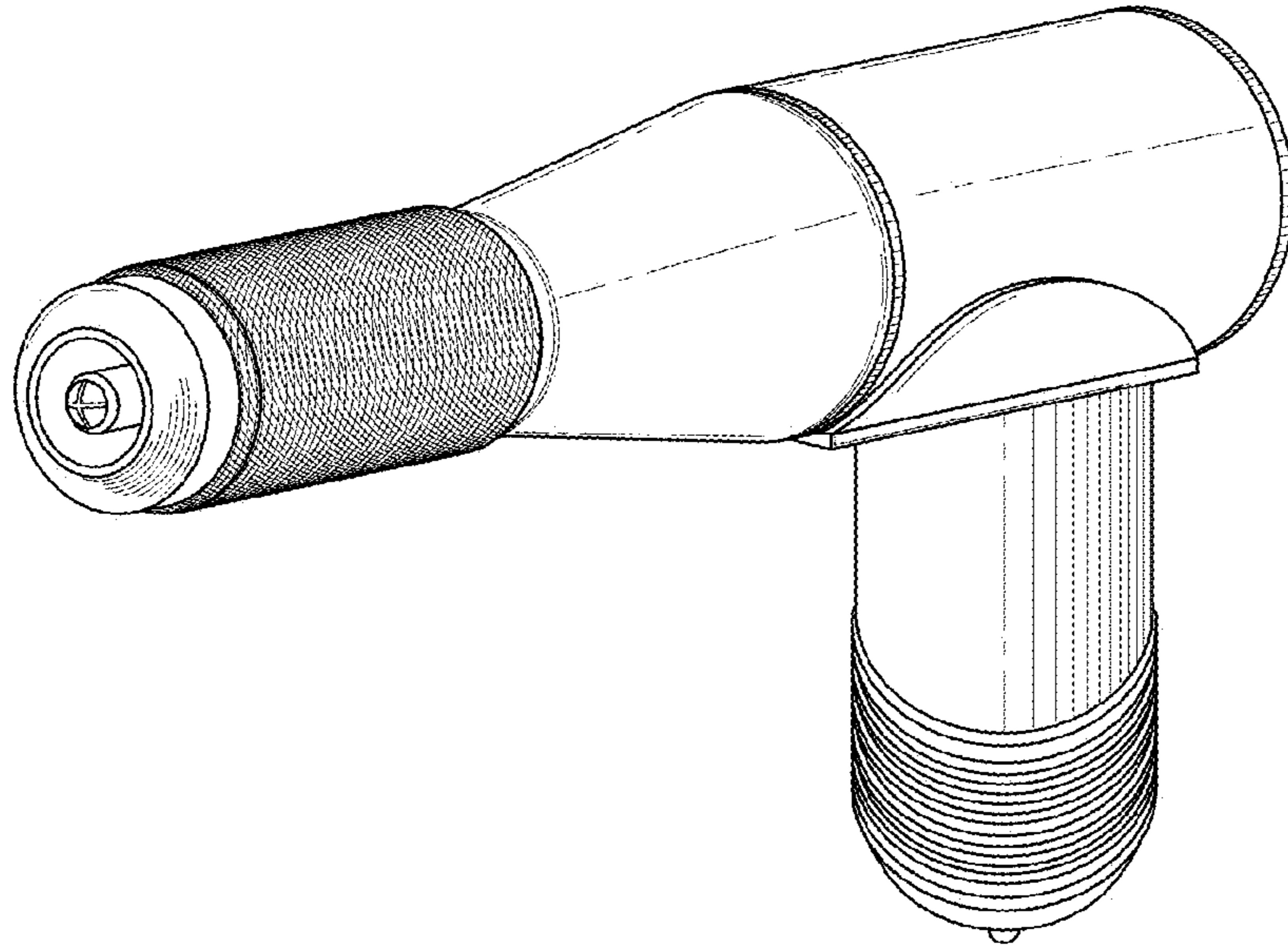


FIG. 1

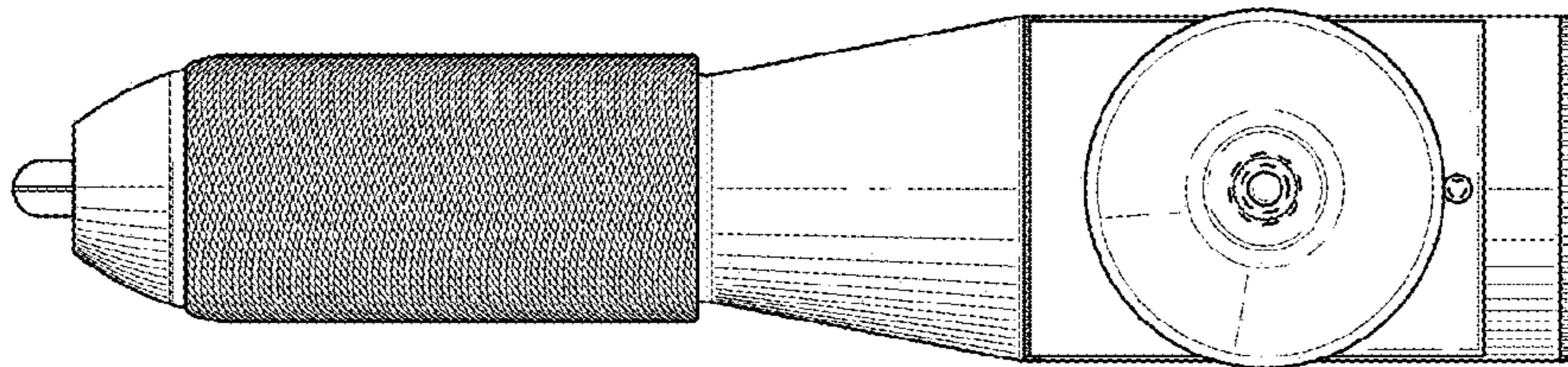


FIG. 2

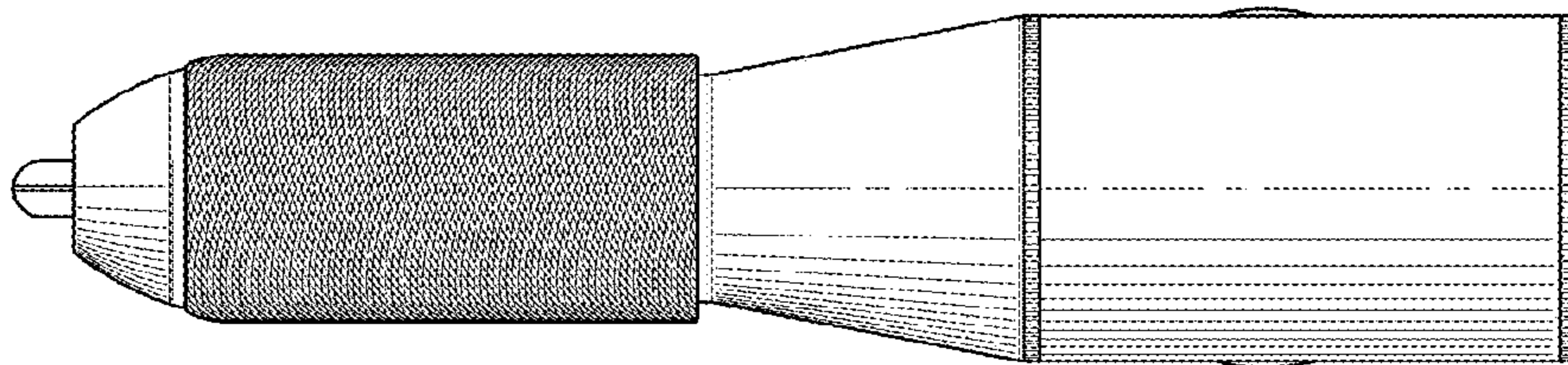


FIG. 3

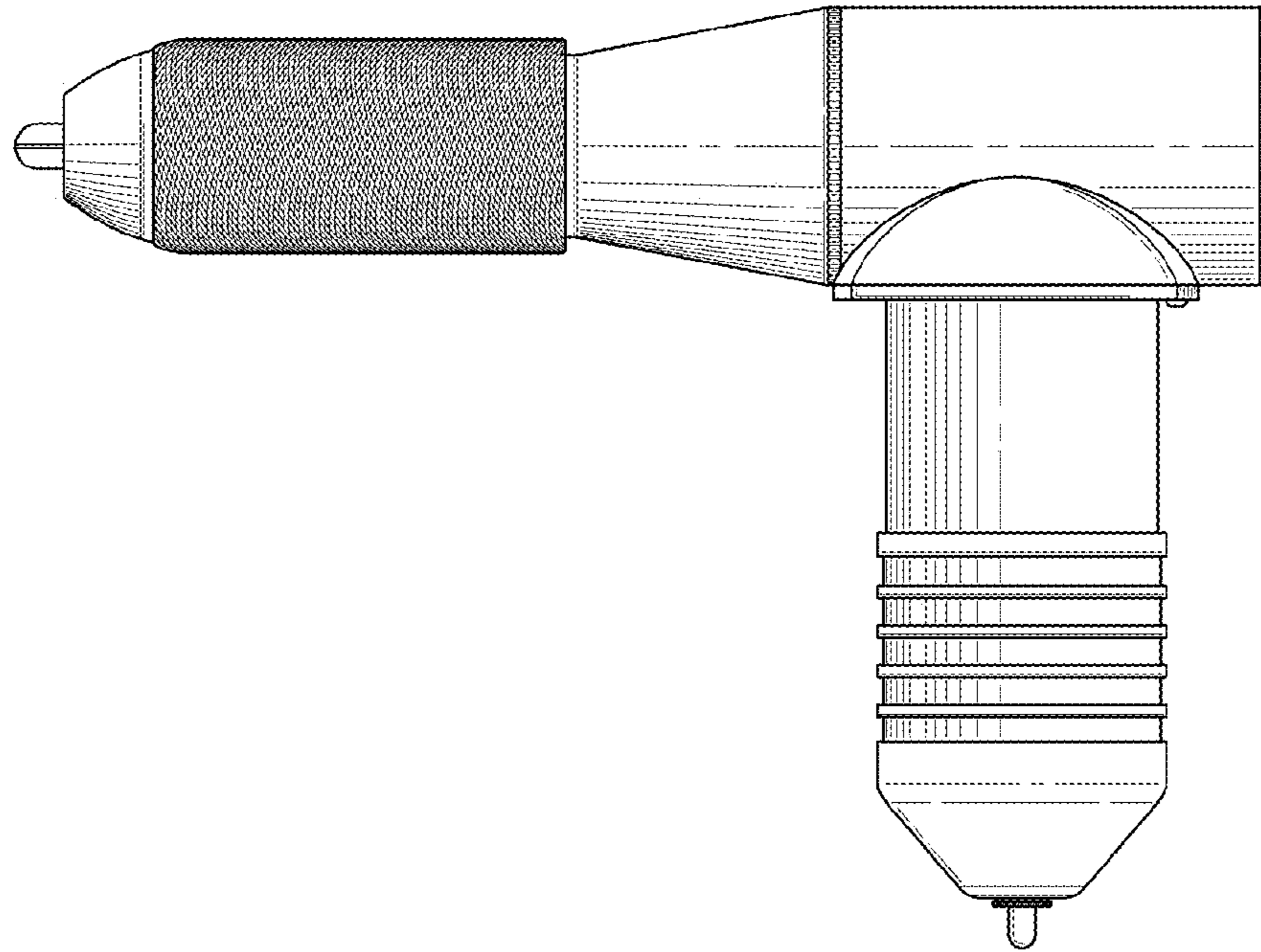


FIG. 4

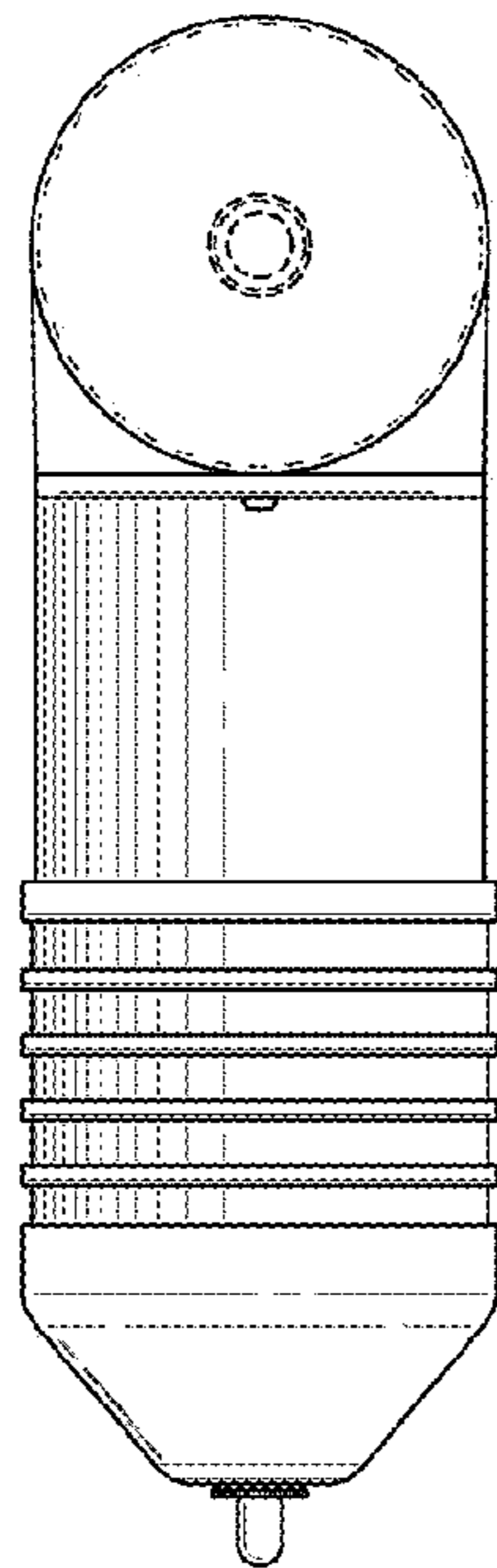


FIG. 5

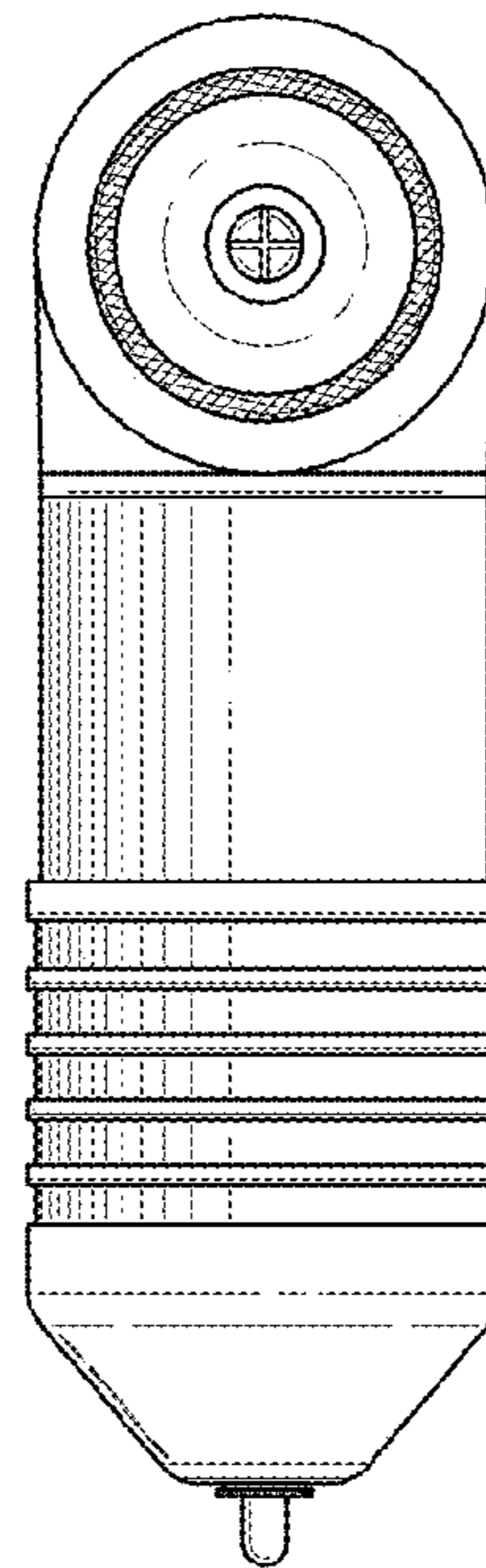


FIG. 6