

US00D726313S

(12) **United States Design Patent**
Govers et al.

(10) **Patent No.:** **US D726,313 S**

(45) **Date of Patent:** **** Apr. 7, 2015**

(54) **VAGINAL RING APPLICATOR**

(71) Applicant: **Merck Sharp & Dohme B. V.**, Haarlem (NL)

(72) Inventors: **Cornelius P. M. Govers**, Oss (NL); **Owen Callaghan**, Oss (NL); **Mario A. A. de Zeeuw**, Deventer (NL); **Joris M. Swaak**, Deventer (NL); **Marco A. Voogsgerd**, Deventer (NL)

(73) Assignee: **Merck Sharp & Dohme B.V.**, Haarlem (NL)

(**) Term: **14 Years**

(21) Appl. No.: **29/472,128**

(22) Filed: **Nov. 8, 2013**

(51) **LOC (10) Cl.** **24-02**

(52) **U.S. Cl.**
USPC **D24/141**

(58) **Field of Classification Search**
USPC D24/113-114, 133, 141; 128/830, 832, 128/838, 840; 606/119; 604/385.17; 424/430, 432
See application file for complete search history.

(56) **References Cited**

U.S. PATENT DOCUMENTS

2,008,380	A *	7/1935	Bachmann	128/838
2,830,582	A *	4/1958	Ljung	128/838
3,492,990	A *	2/1970	Clarke	128/840
4,012,496	A *	3/1977	Schopflin et al.	424/432
4,398,532	A *	8/1983	Sweeney, III	128/838
4,595,000	A *	6/1986	Hamou	128/840
4,708,134	A *	11/1987	Wildemeersch	128/840
5,207,232	A *	5/1993	Shihata	128/838
5,919,474	A *	7/1999	Place et al.	424/430
D442,688	S *	5/2001	DeWeerd	D24/141

8,211,085	B2 *	7/2012	Devonec	424/430
2007/0235035	A1 *	10/2007	Petsch et al.	128/832
2009/0311305	A1 *	12/2009	Abbott et al.	424/430

* cited by examiner

Primary Examiner — Wan Laymon

(74) *Attorney, Agent, or Firm* — Janet E. Fair; Catherine D. Fitch

(57) **CLAIM**

The ornamental design for a vaginal ring applicator, as shown and described.

DESCRIPTION

A portion of the disclosure of this patent document contains material which may be protected by copyright. The copyright owner has no objection to the facsimile reproduction by any one of the patent document or the patent disclosure, as it appears in the Patent and Trademark Office patent file or records, but reserves all other copyright rights whatsoever.

FIG. 1 is an exploded top perspective (plunger, barrel, right) view of a vaginal ring applicator;

FIG. 2 is a bottom perspective view thereof;

FIG. 3 is a front view thereof;

FIG. 4 is a rear view thereof;

FIG. 5 is a left side view thereof;

FIG. 6 is a right side view thereof;

FIG. 7 is a top view thereof;

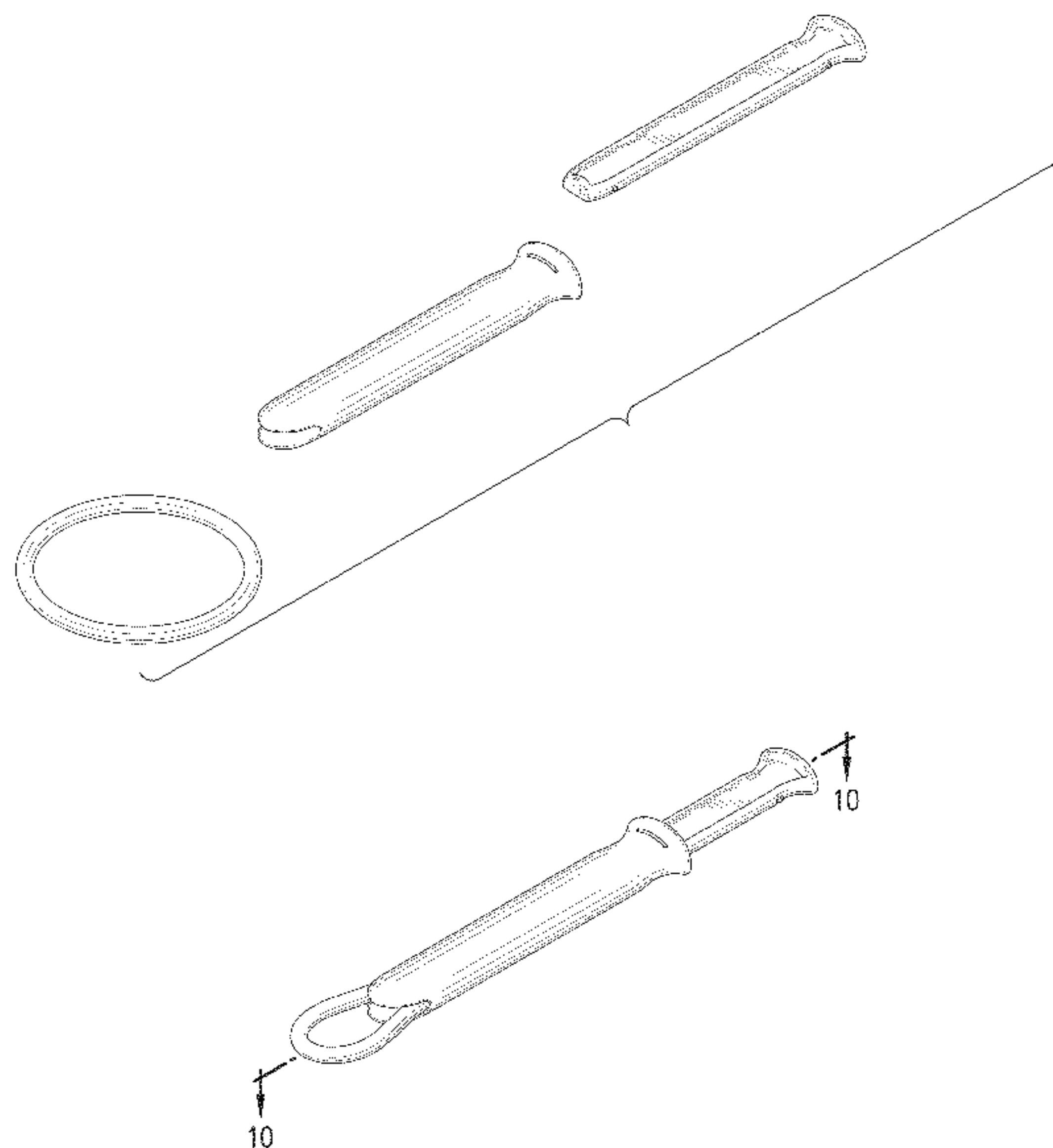
FIG. 8 is a bottom view thereof;

FIG. 9 is a top perspective view of the combined vaginal ring applicator; and,

FIG. 10 is cross section view thereof taken along lines 10-10 in FIG. 9.

The broken lines shown in the figures represent portions of the vaginal ring applicator that form no part of the claimed design.

1 Claim, 8 Drawing Sheets



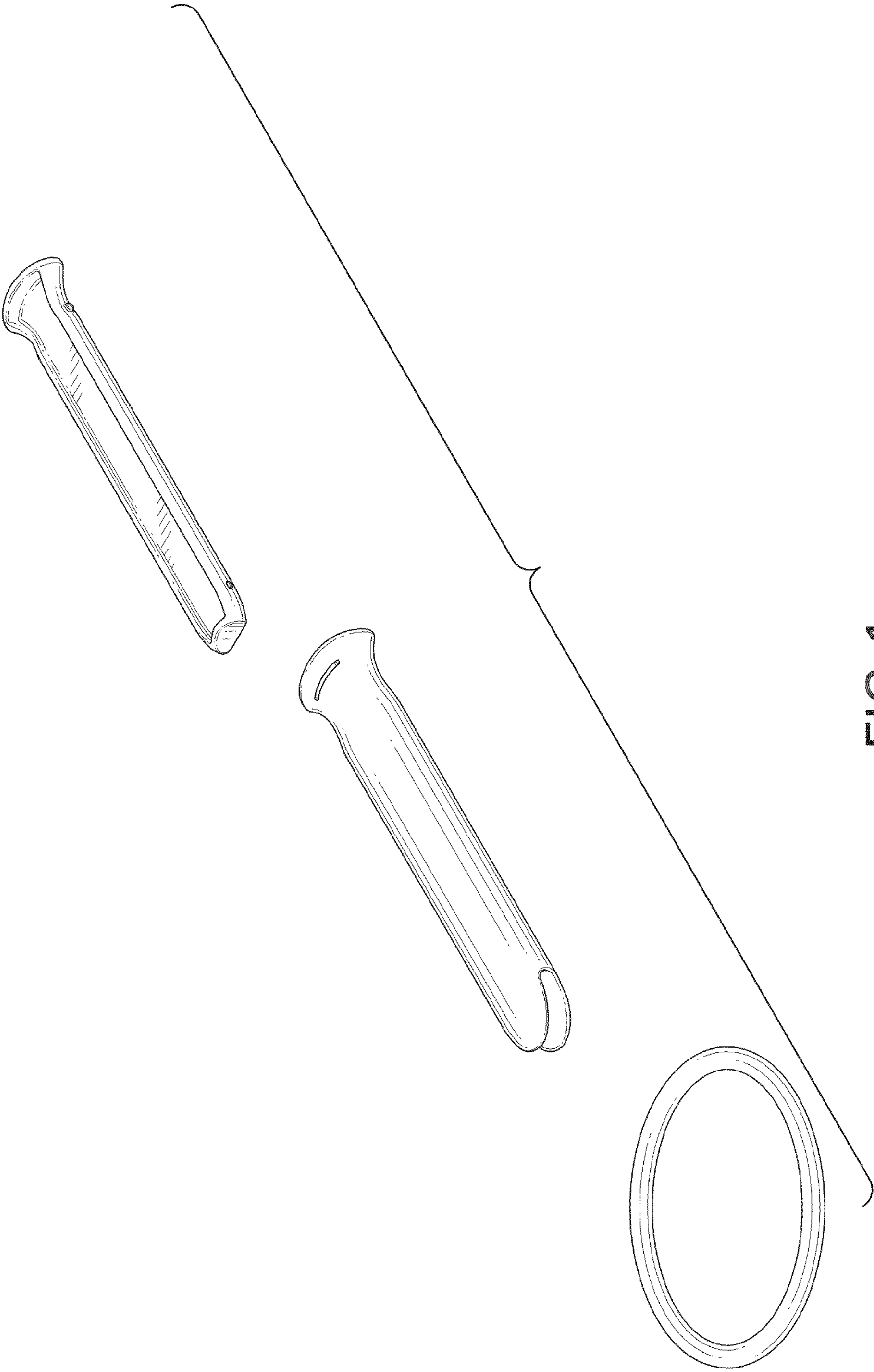


FIG.1

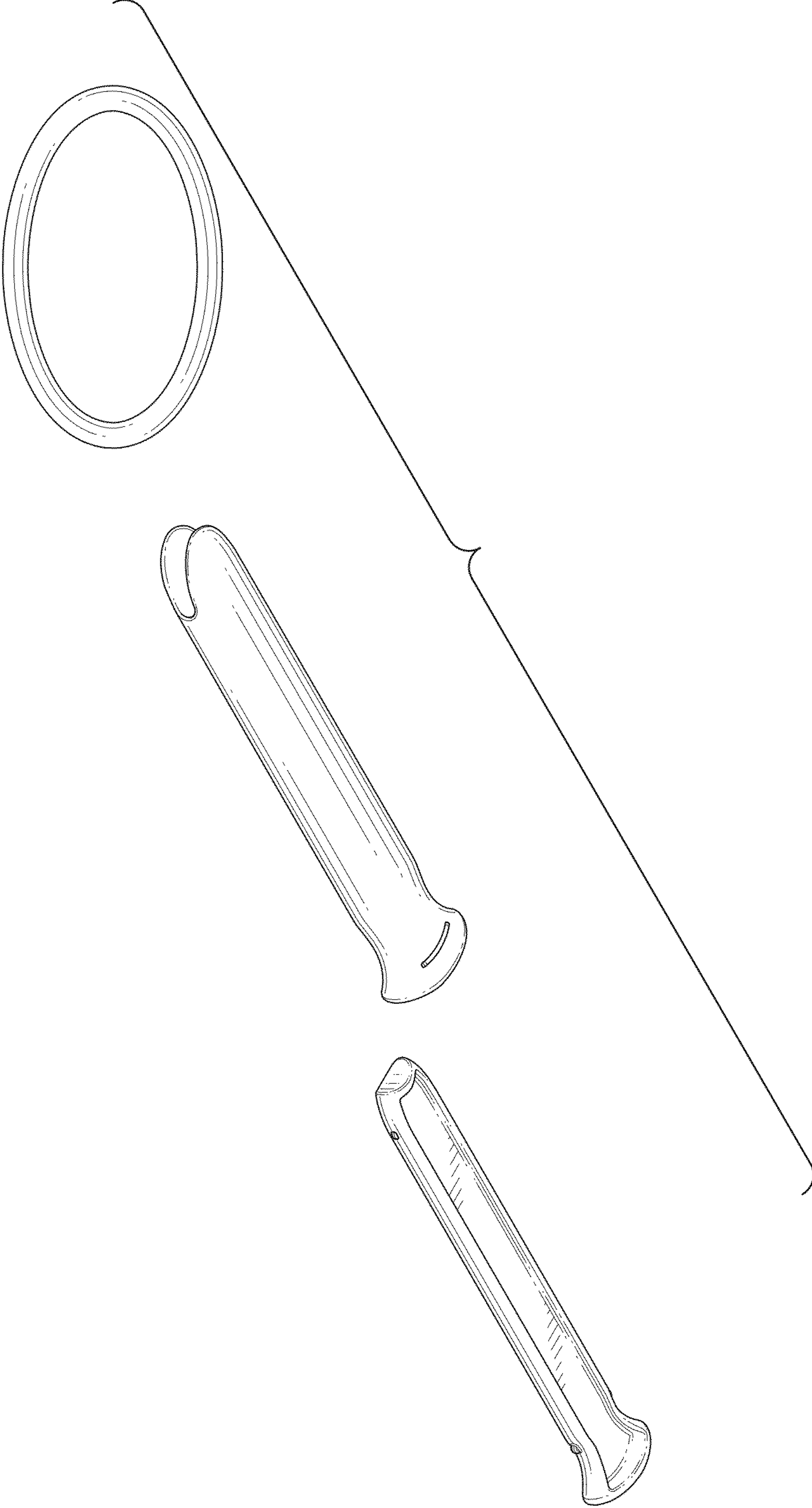


FIG. 2

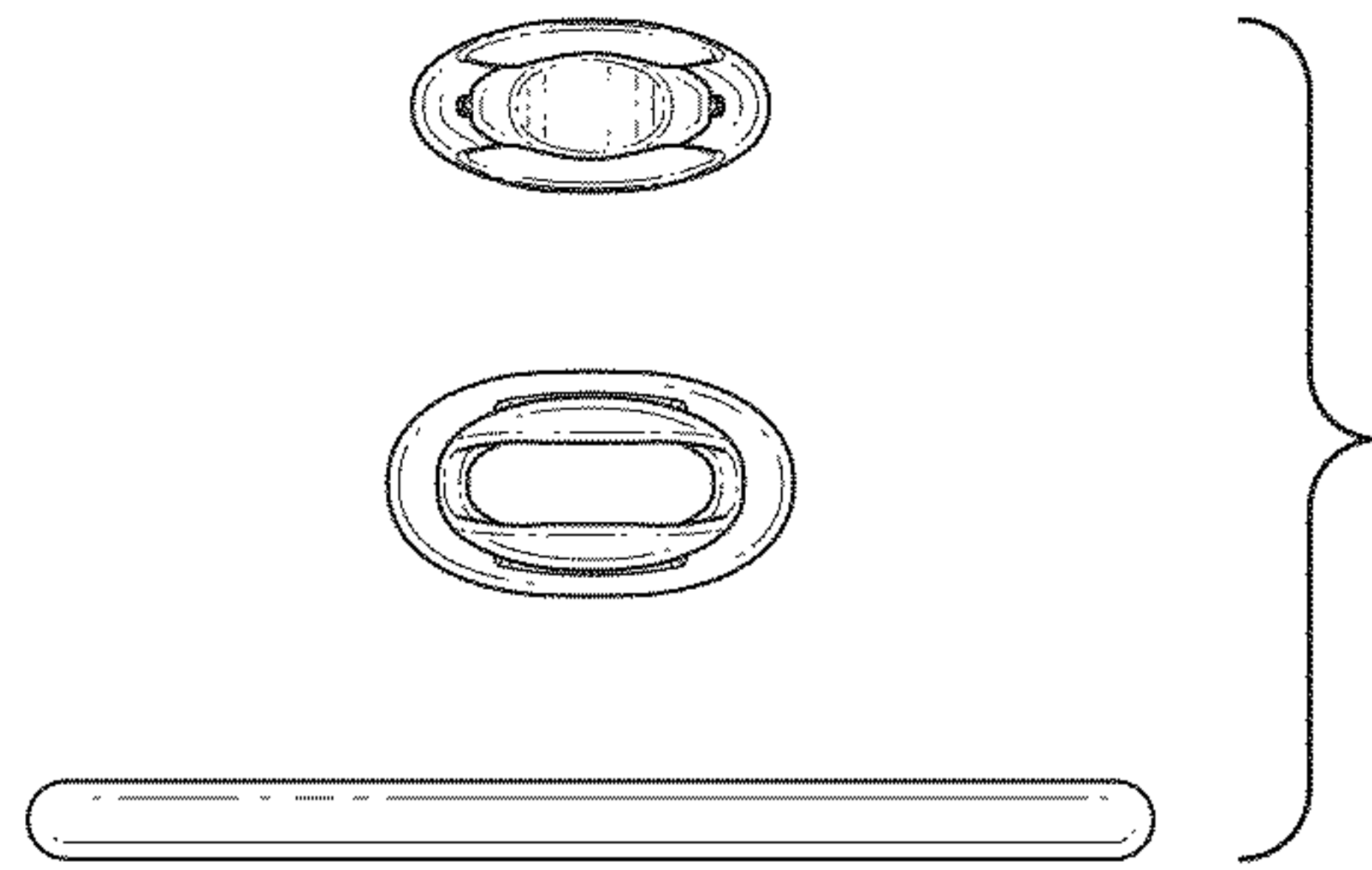


FIG. 3

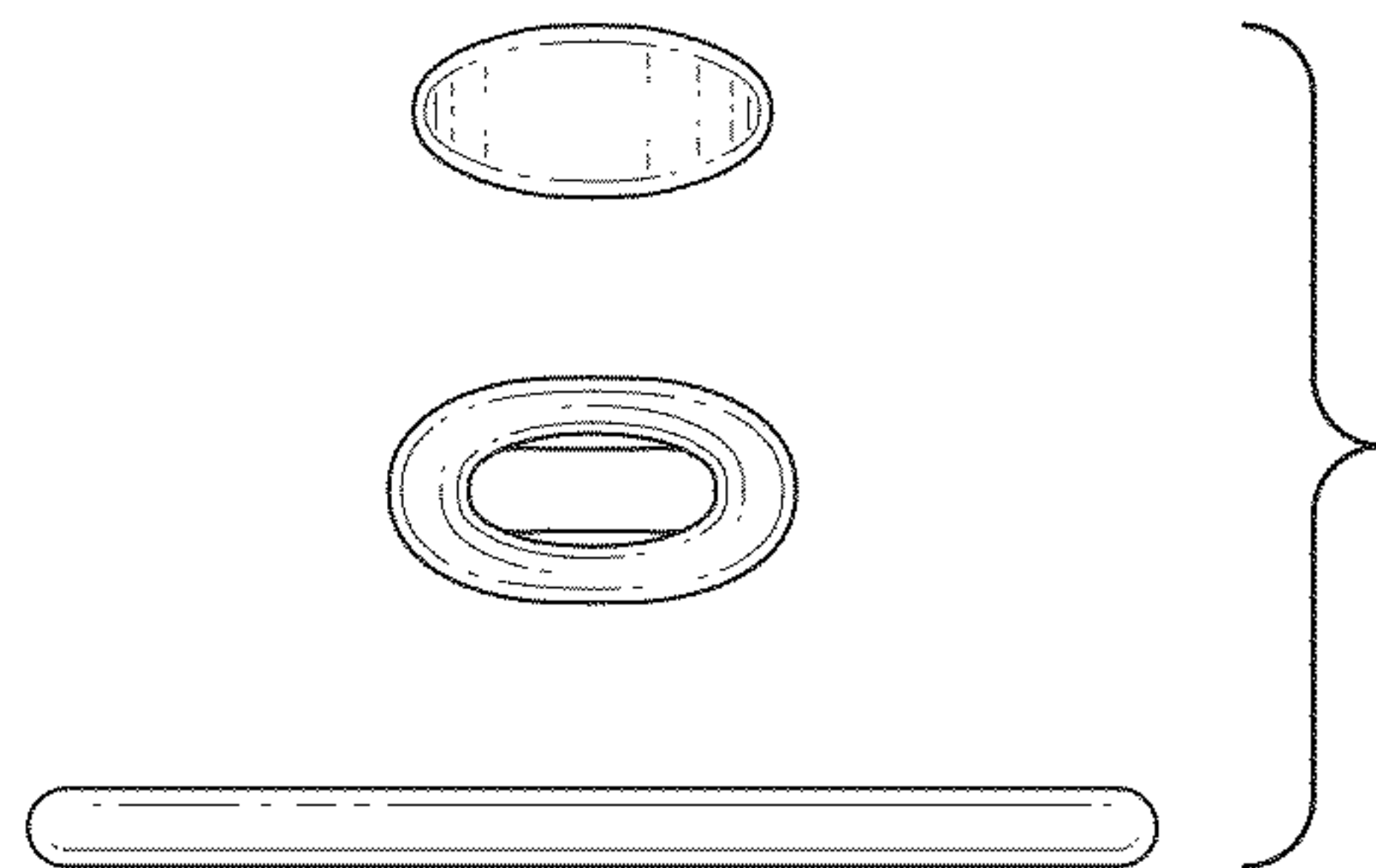


FIG. 4

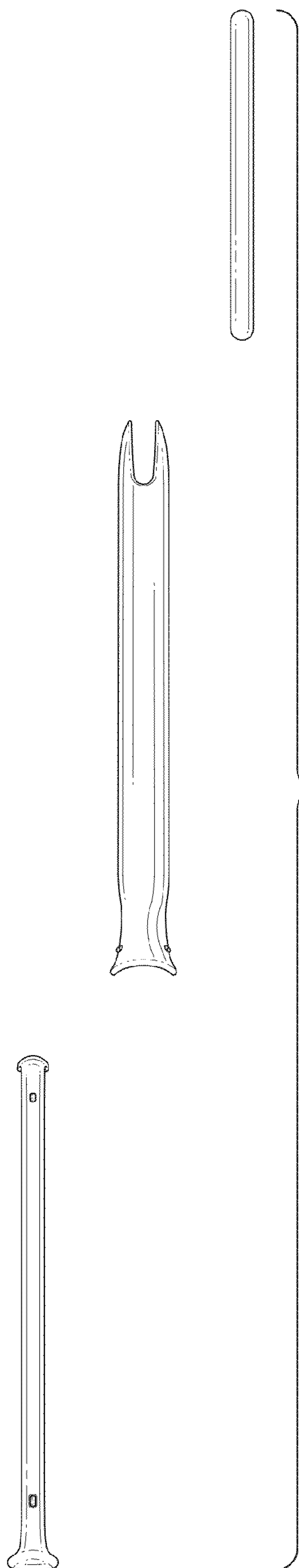


FIG. 5

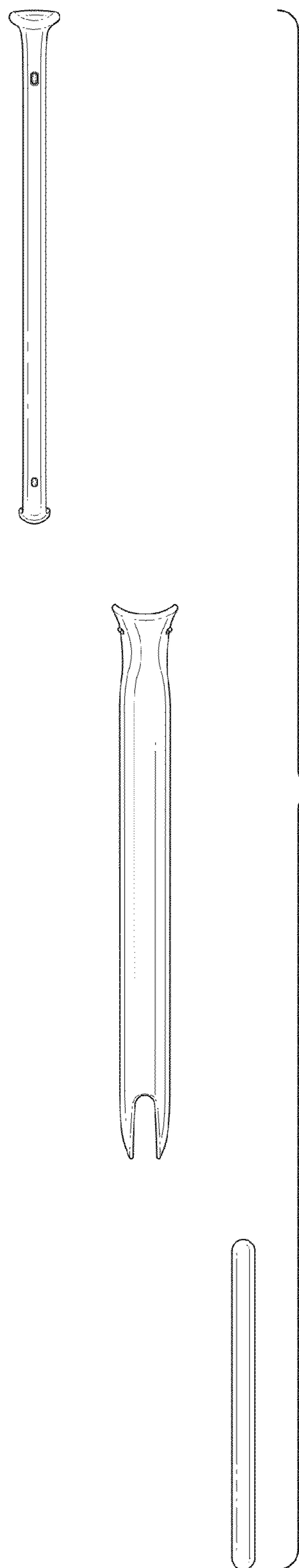


FIG. 6

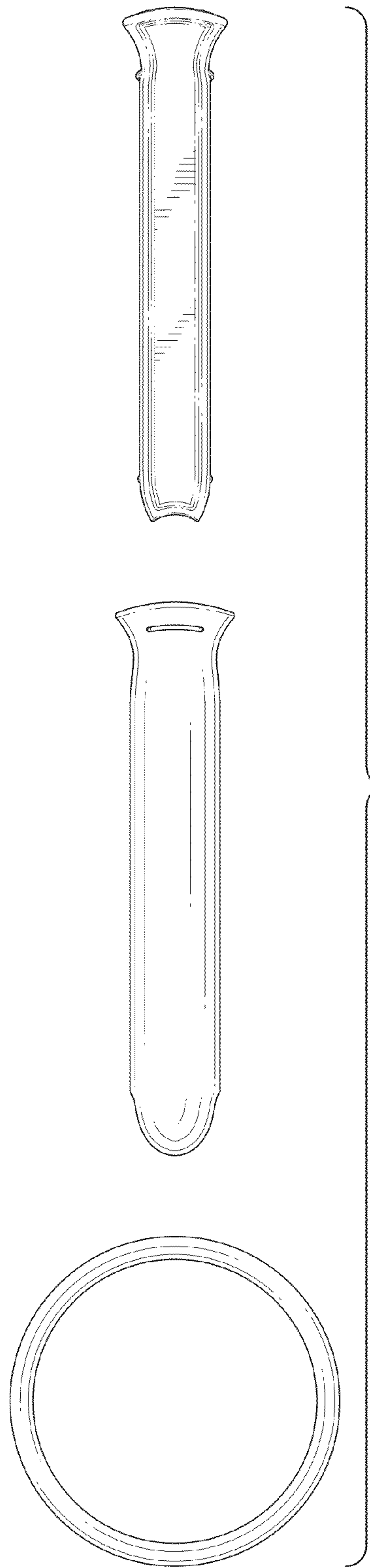


FIG. 7

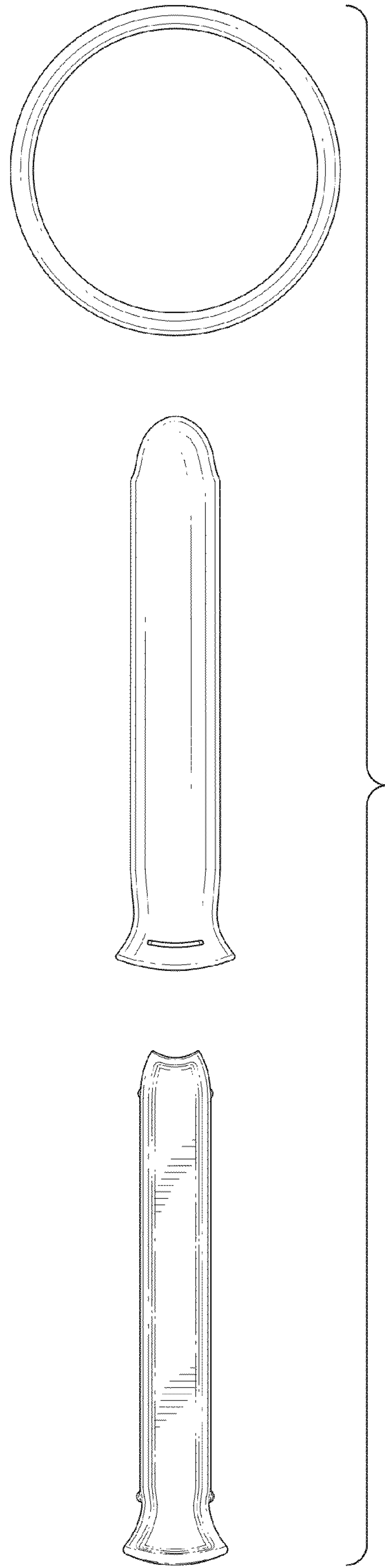
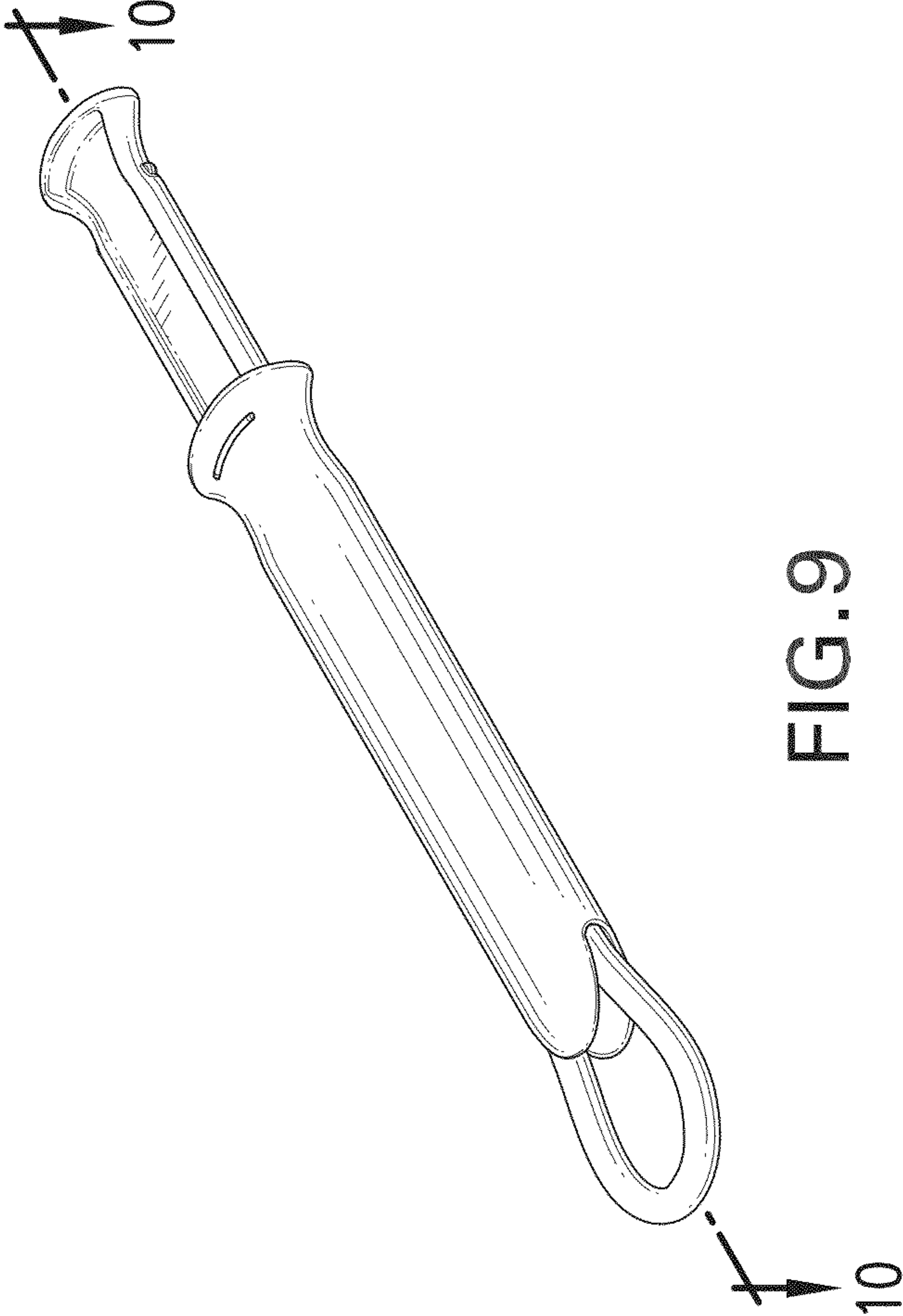


FIG. 8



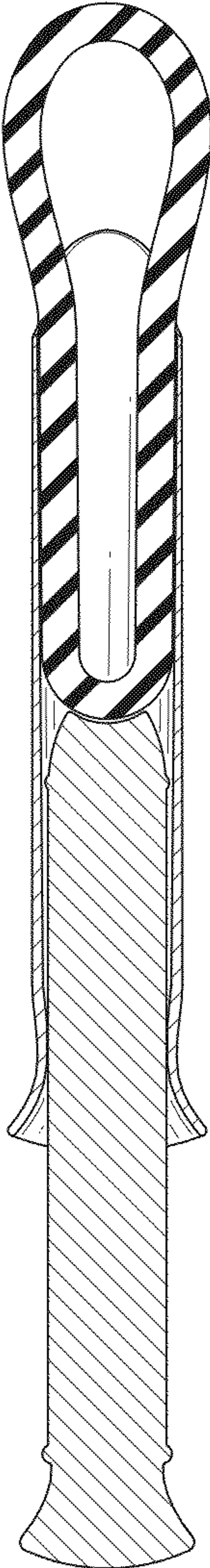


FIG. 10