



US00D726312S

(12) **United States Design Patent**  
**Johnson**

(10) **Patent No.:** **US D726,312 S**  
(45) **Date of Patent:** **\*\* Apr. 7, 2015**

(54) **NASAL DILATOR DEVICE**  
(71) Applicant: **ASAP Breatheassist Pty Ltd.**,  
Melbourne, Victoria (AU)  
(72) Inventor: **Michael Ralph Burgess Johnson**,  
Hawthorn (AU)  
(73) Assignee: **ASAP Breatheassist Pty Ltd.**,  
Melbourne, Victoria (AU)

7,055,523 B1 6/2006 Brown  
7,105,008 B2 9/2006 Maryanka  
D540,462 S \* 4/2007 Groeneveld ..... D24/106  
7,318,438 B2 1/2008 Brown  
7,390,331 B2 6/2008 Santin et al.  
D576,726 S \* 9/2008 Maxwell ..... D24/135  
7,461,651 B2 12/2008 Brown  
7,727,252 B2 6/2010 Maryanka

(Continued)

(\*\*) Term: **14 Years**  
(21) Appl. No.: **29/461,217**  
(22) Filed: **Jul. 19, 2013**

CA 2 566 268 A1 11/2004  
EP 1 968 684 9/2008

(Continued)

(30) **Foreign Application Priority Data**  
Jan. 21, 2013 (AU) ..... 10288/2013

**FOREIGN PATENT DOCUMENTS**

**OTHER PUBLICATIONS**

<http://www.amazon.com/Original-Breathe-Fit-Nasal-Dilator/dp/B0012RMWC4>, pp. 1-5 (2009).

(Continued)

(51) **LOC (10) Cl.** ..... **24-02**  
(52) **U.S. Cl.**  
USPC ..... **D24/135**  
(58) **Field of Classification Search**  
CPC ..... A61F 5/08; A61B 17/0057; A61B 1/233;  
A61M 29/00; A61M 29/02  
USPC ..... D24/133, 135, 136; 606/191-199  
See application file for complete search history.

*Primary Examiner* — Bridget L Eland  
(74) *Attorney, Agent, or Firm* — Pillsbury Winthrop Shaw Pittman, LLP

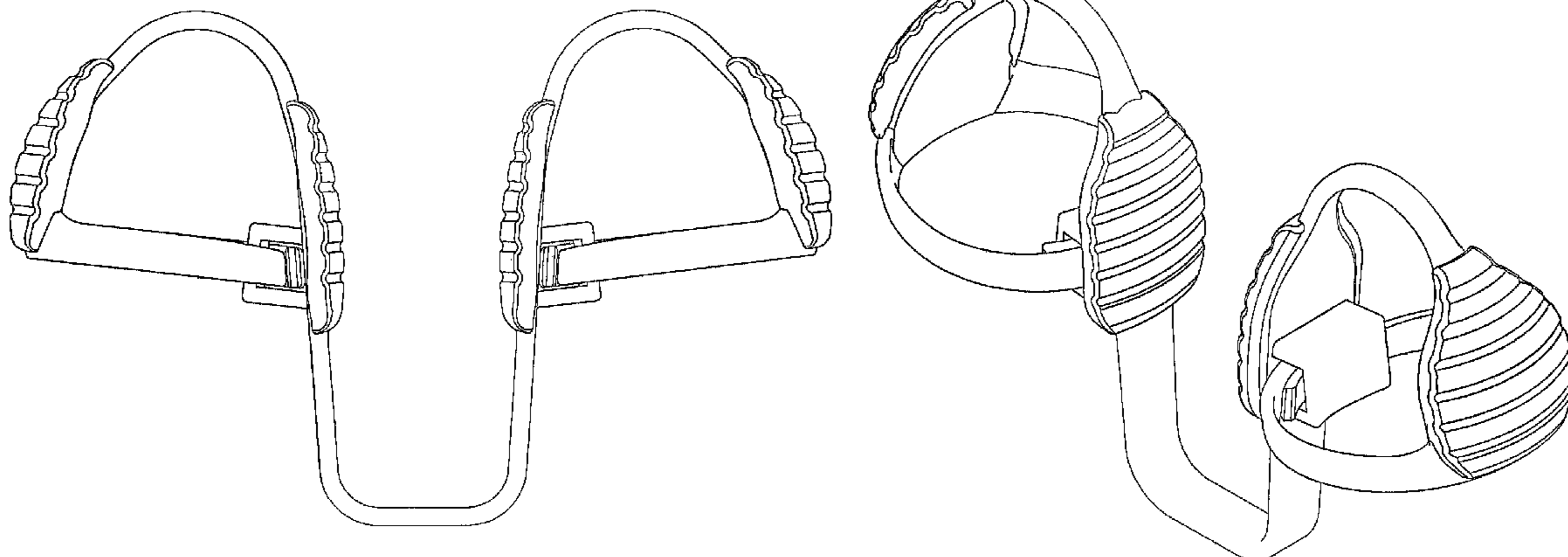
(57) **CLAIM**  
The ornamental design for a nasal dilator device, as shown and described.

(56) **References Cited**  
**U.S. PATENT DOCUMENTS**  
4,576,168 A 3/1986 Jallowayski  
4,759,365 A 7/1988 Askinzy  
5,099,857 A 3/1992 Baldo et al.  
5,775,335 A \* 7/1998 Seal ..... 128/848  
5,787,884 A 8/1998 Tovey  
5,895,409 A \* 4/1999 Mehdizadeh ..... 606/199  
5,955,376 A 9/1999 Tovey  
6,109,262 A 8/2000 Tovey  
6,270,512 B1 8/2001 Rittmann  
D451,193 S \* 11/2001 McCormick ..... D24/106  
6,562,057 B2 5/2003 Santin

**DESCRIPTION**

FIG. 1 is a right side elevation view of a nasal dilator device showing my new design;  
FIG. 2 is left side elevation view;  
FIG. 3 is a rear elevation view;  
FIG. 4 is a right side isometric perspective view;  
FIG. 5 is a left side isometric perspective view;  
FIG. 6 is a front elevation view;  
FIG. 7 is bottom plan view; and,  
FIG. 8 is a top plan view.

**1 Claim, 8 Drawing Sheets**



(56)

References Cited

U.S. PATENT DOCUMENTS

7,740,643 B2 6/2010 Maryanka  
 7,918,224 B2\* 4/2011 Dolezal et al. .... 128/206.11  
 8,048,102 B2 11/2011 Thomas  
 D652,143 S \* 1/2012 Brown ..... D24/135  
 8,262,688 B2 9/2012 Santin et al.  
 D670,382 S \* 11/2012 Noce et al. .... D24/135  
 8,403,954 B2 3/2013 Santin et al.  
 8,491,622 B2 7/2013 Brown  
 D713,031 S \* 9/2014 McCormick ..... D24/135  
 2003/0106555 A1 6/2003 Tovey  
 2003/0144684 A1 7/2003 Ogle  
 2009/0054923 A1\* 2/2009 Benson ..... 606/199  
 2009/0143821 A1\* 6/2009 Stupak ..... 606/232  
 2010/0063523 A1 3/2010 Menard et al.  
 2010/0087749 A1 4/2010 Tovey  
 2014/0246023 A1\* 9/2014 Maryanka ..... 128/203.22

FOREIGN PATENT DOCUMENTS

EP 2 387 978 A2 11/2011  
 JP 11-192251 A 7/1999  
 WO 88/09149 A1 12/1988  
 WO 96/06657 A1 3/1996  
 WO 96/07099 A1 3/1996  
 WO 99/36773 A1 7/1999  
 WO 01/62342 A1 8/2001  
 WO 02/31465 A1 4/2002  
 WO 02/059569 A1 8/2002

OTHER PUBLICATIONS

[http://www.snoringcure.ca/clipair\\_nasal\\_anti\\_snoring\\_medical\\_dilator\\_device.htm](http://www.snoringcure.ca/clipair_nasal_anti_snoring_medical_dilator_device.htm), pp. 1-2.  
[http://www.snoringcure.ca/breathe\\_ez\\_nasal\\_anti\\_snoring\\_medical\\_device.htm](http://www.snoringcure.ca/breathe_ez_nasal_anti_snoring_medical_device.htm), pp. 1-2.

[http://www.snoringcure.ca/nozovent\\_nasal\\_anti\\_snoring\\_medical\\_dilator\\_device.htm](http://www.snoringcure.ca/nozovent_nasal_anti_snoring_medical_dilator_device.htm), pp. 1-3.  
<http://web.archive.org/web/20120919034716/http://www.nasalaid.com/>, 1 pg. (2007).  
<http://www.amazon.com/Flents-Breathe-Quiet-Nasal-Dilator/dp/B0019IHLR2>, pp. 1-5 (2009).  
<http://web.archive.org/web/20120403154245/http://www.breathe-ezy.com.au/>, pp. 1-7 (2005).  
<http://www.sanostec.com/code/productinfo.htm>, pp. 1-2 (2004).  
<http://web.archive.org/web/20120209144358/http://www.maxairnosecones.com/max-air-nose-cones/>, pp. 1-5 (2012).  
[http://web.archive.org/web/20120820115548/http://www.magnetictherapy.co.uk/scp/SPECIALITY\\_PRODUCTS/SNORE\\_FREE.html](http://web.archive.org/web/20120820115548/http://www.magnetictherapy.co.uk/scp/SPECIALITY_PRODUCTS/SNORE_FREE.html), pp. 1-2 (2012).  
<http://airwarelabs.com/>, pp. 1-5 (2014).  
<http://www.amazon.com/Flents-Breathe-Well-Nasal-Dilator/dp/B001J4K5E2>, pp. 1-5 (2008).  
<http://omnisleep.in/snore-pin.html>, pp. 1-2 (2010).  
[http://nasalpass.com/contact\\_us.htm](http://nasalpass.com/contact_us.htm), 1 pg. (2005).  
[http://www.oscimedsa.com/Stress\\_insomnie\\_stop](http://www.oscimedsa.com/Stress_insomnie_stop), pp. 1-3.  
[http://www.britishsnoring.co.uk/shop/nasal\\_dilators/snore\\_no\\_more.php](http://www.britishsnoring.co.uk/shop/nasal_dilators/snore_no_more.php), 1 pg.  
<http://www.britishsnoring.co.uk/shop/snoregem.php>, pp. 1-2 (2014).  
<http://www.breathingrelief.com/>, 1 pg., (2012).  
<http://www.woodyknows.com/>, 1 pg., (2006).  
<http://www.naslator.com/>, 1 pg., (2014).  
<http://www.sleepright.com/nasal-breathe-aid.php>, 1 pg., (2014).  
<http://www.sanispira.it/eng/index.php>, 1 pg., (2010).  
[http://breatheaide.fm.alibaba.com/product/107504591-11195414/Breathe\\_Aide\\_nasal\\_dilator.html](http://breatheaide.fm.alibaba.com/product/107504591-11195414/Breathe_Aide_nasal_dilator.html).  
<http://www.wellnessproducts.ch/?lan=en&page=2&id=66999>.  
<http://www.benmedical.com.au/>, 1 pg (2013).  
<http://www.noseglobes.com/index.html>. 1 pg (1999).

\* cited by examiner

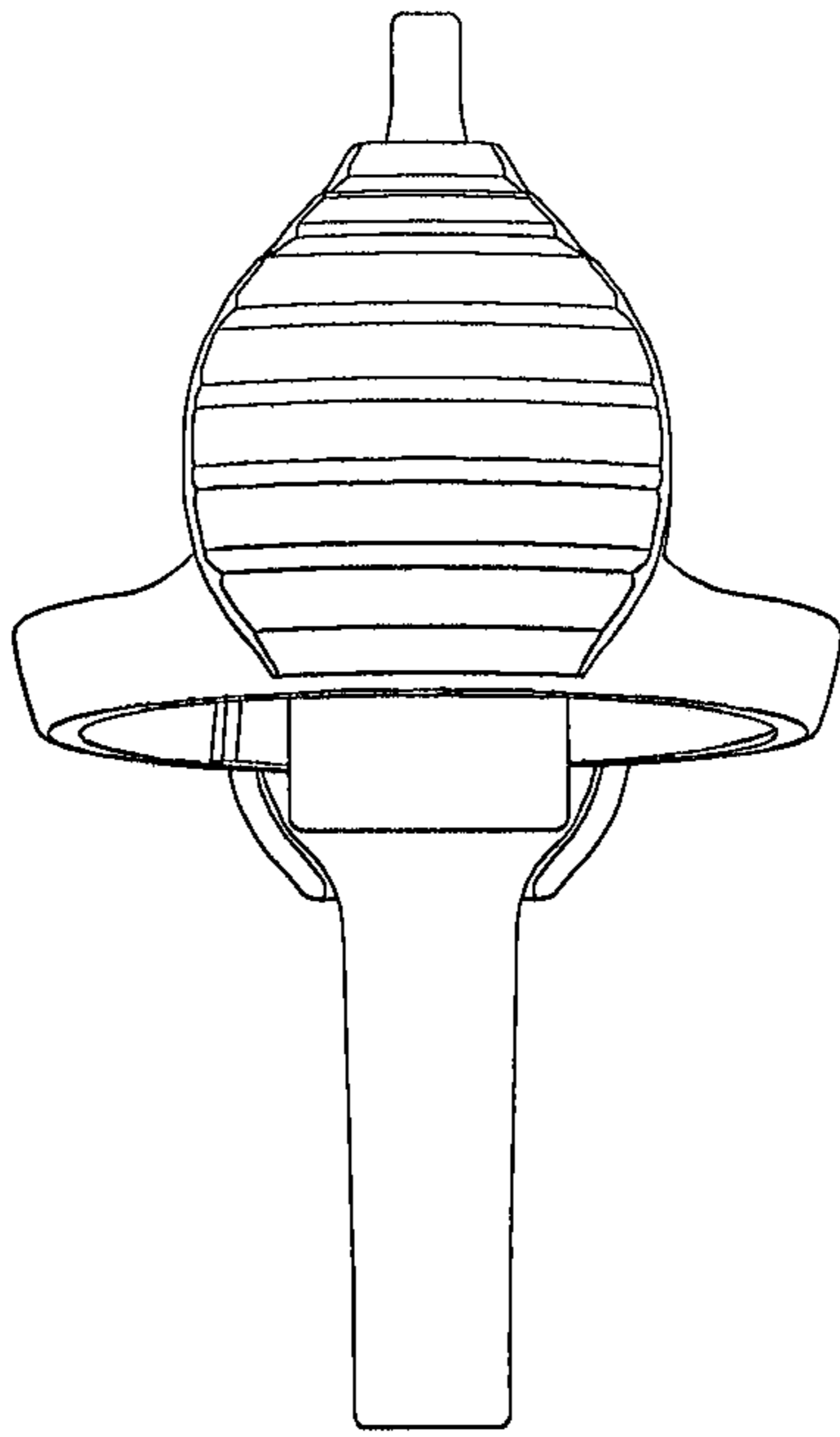


Figure 1

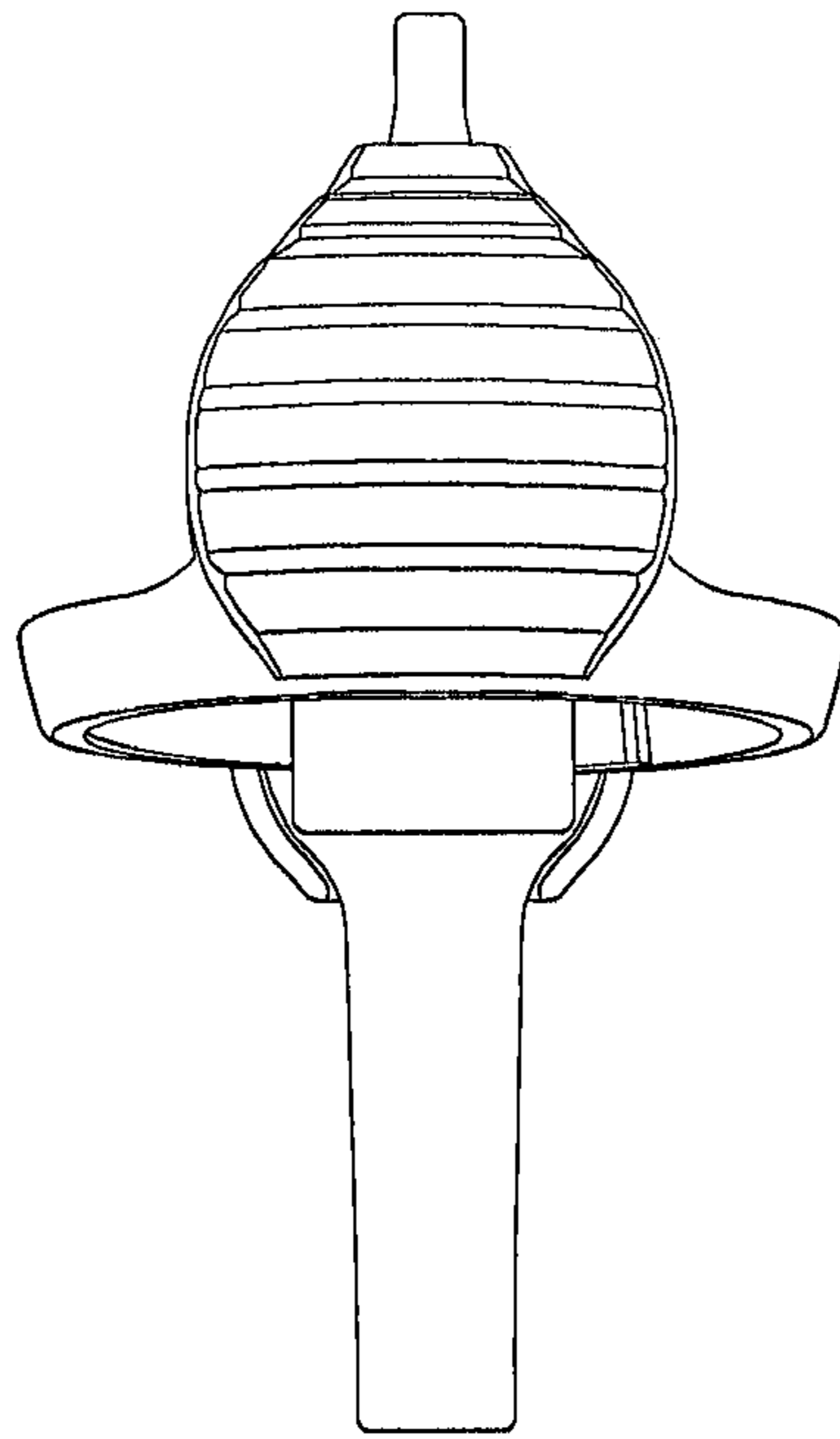


Figure 2

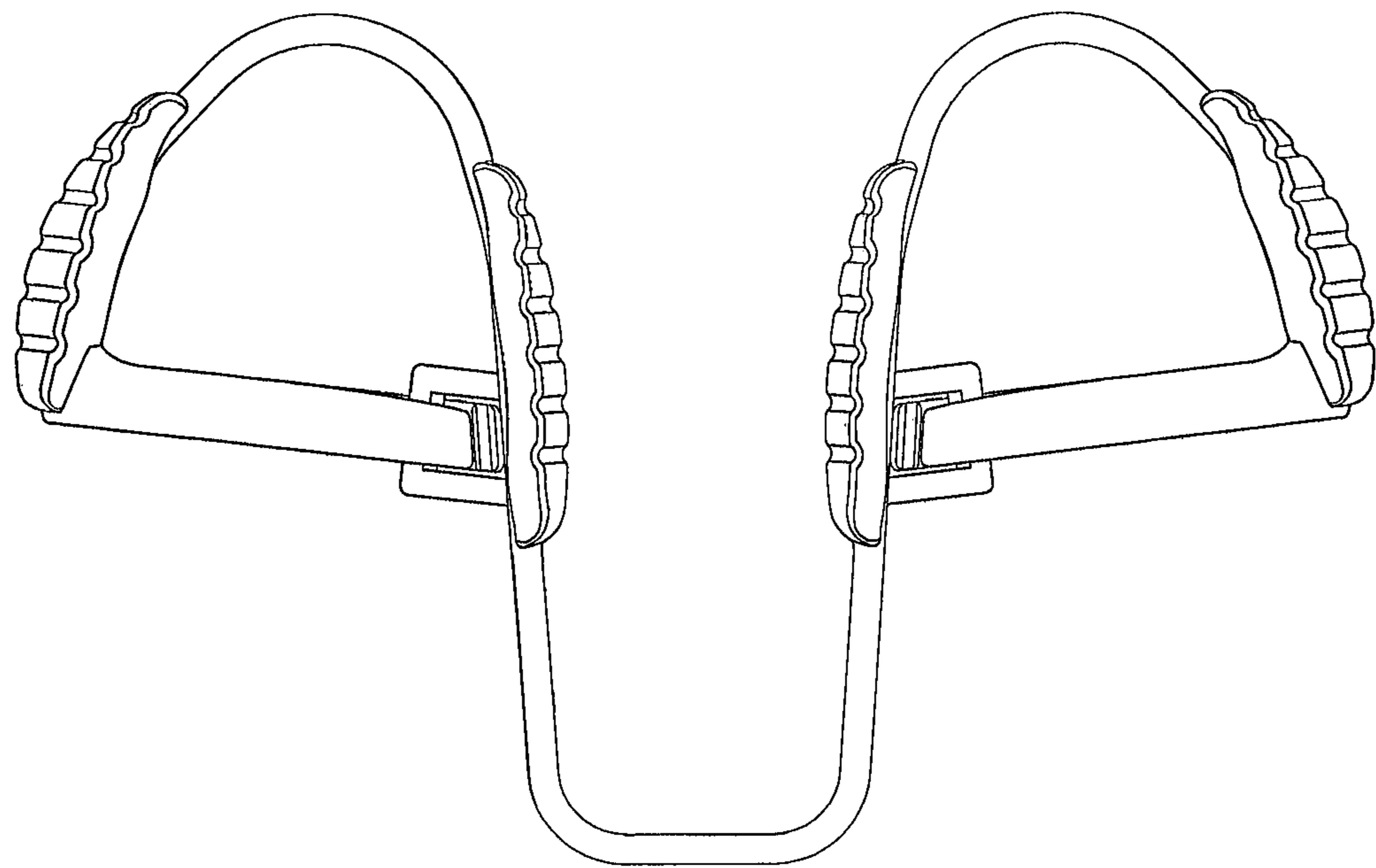


Figure 3



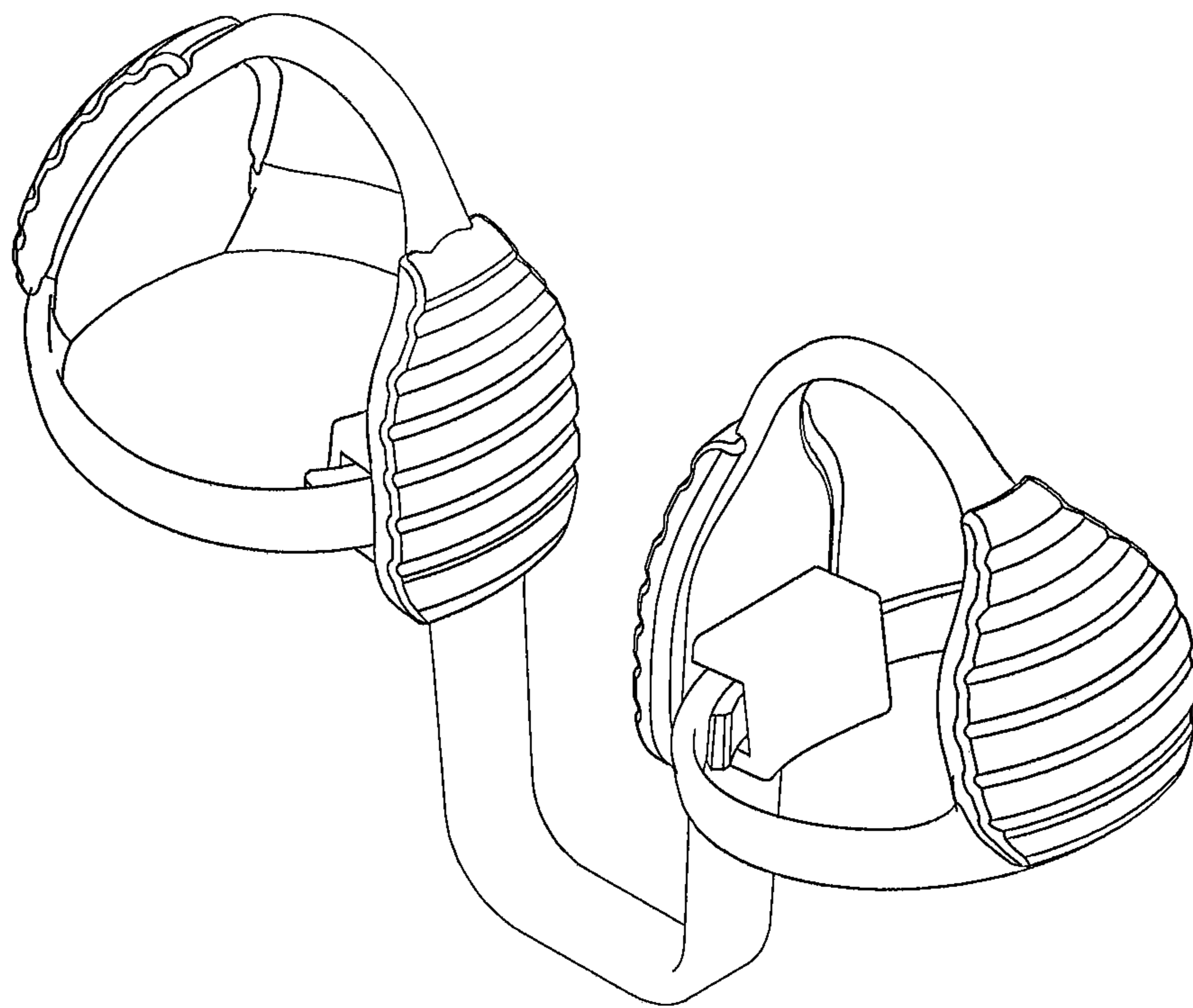


Figure 4

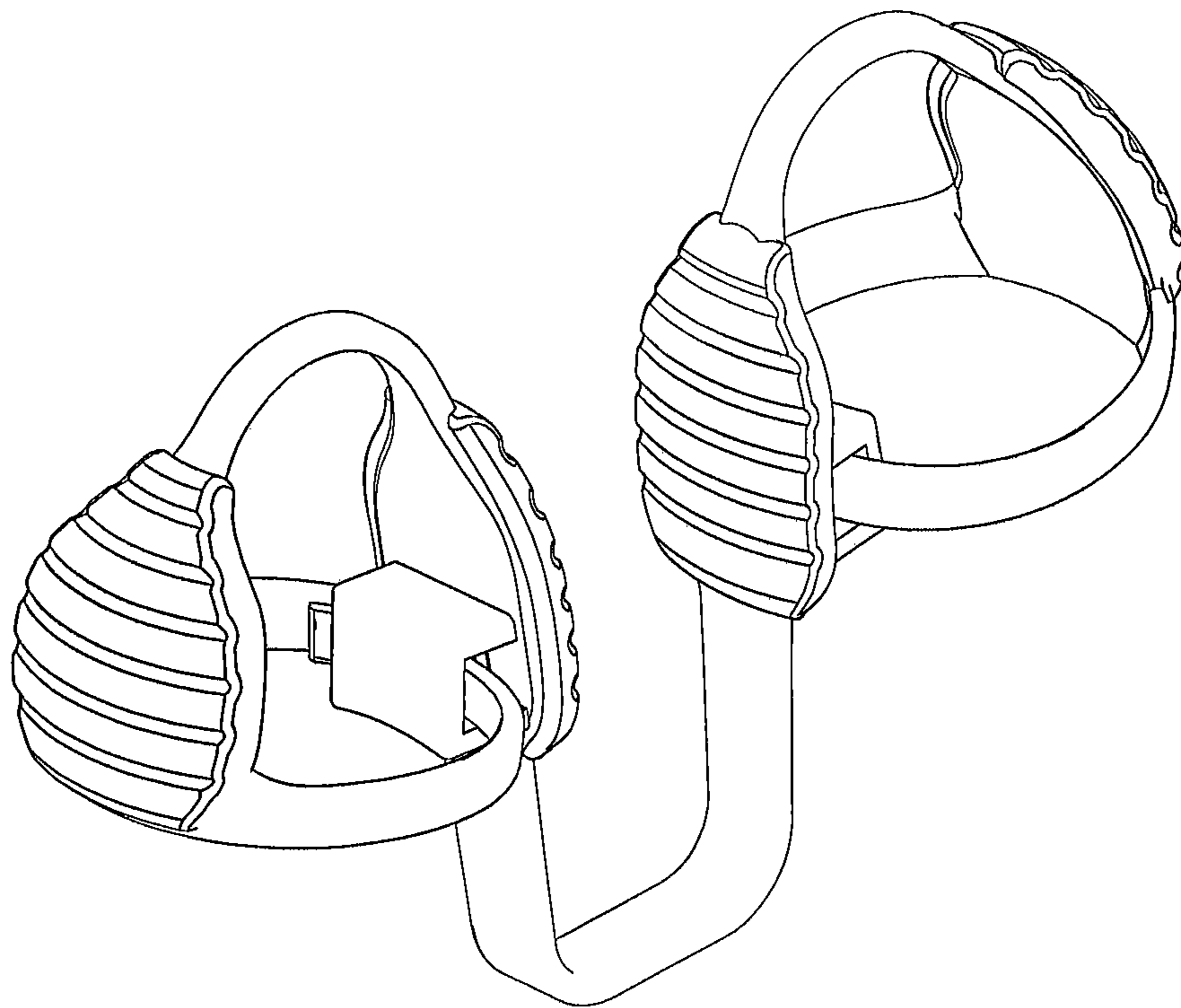


Figure 5

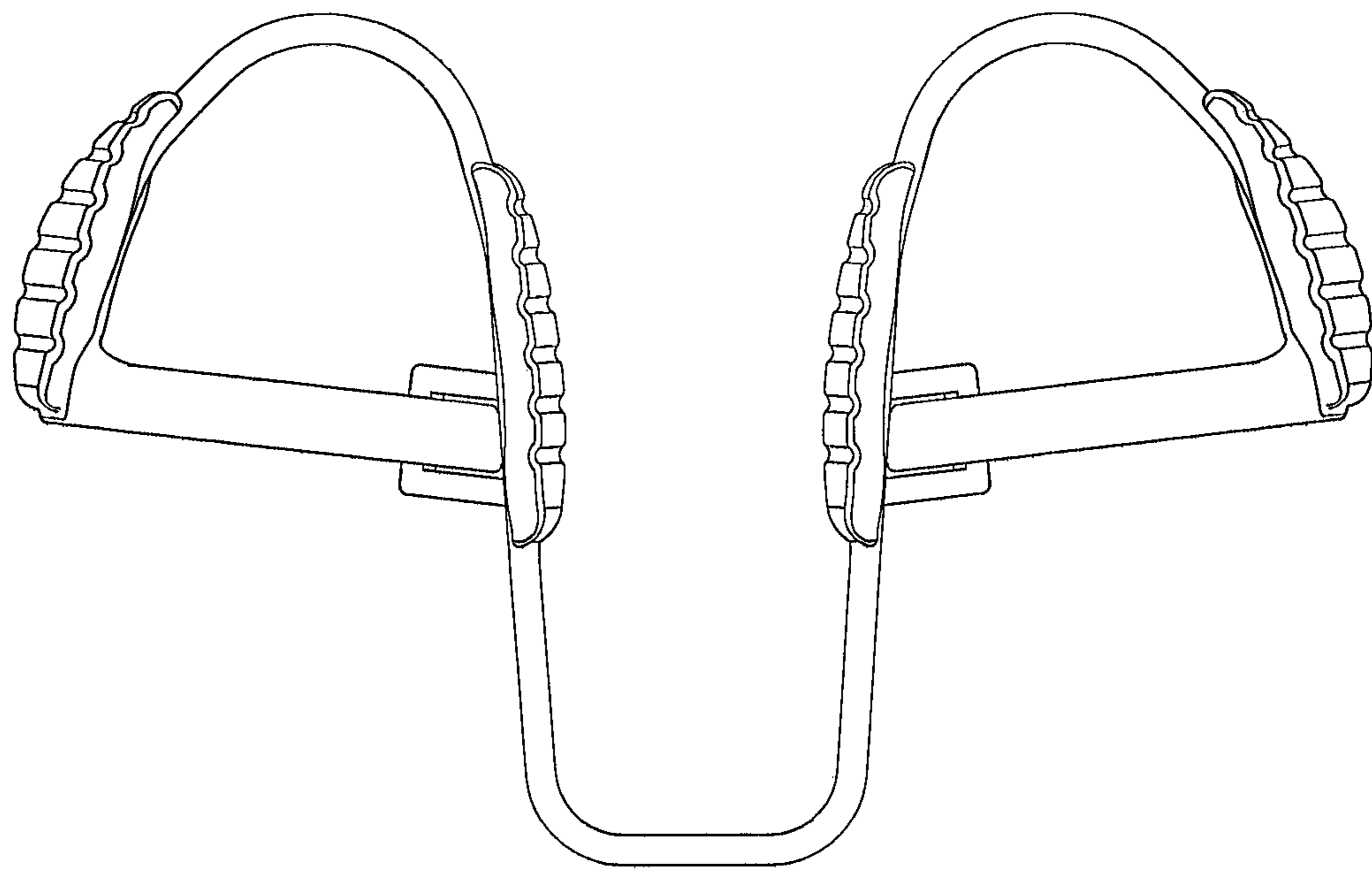


Figure 6



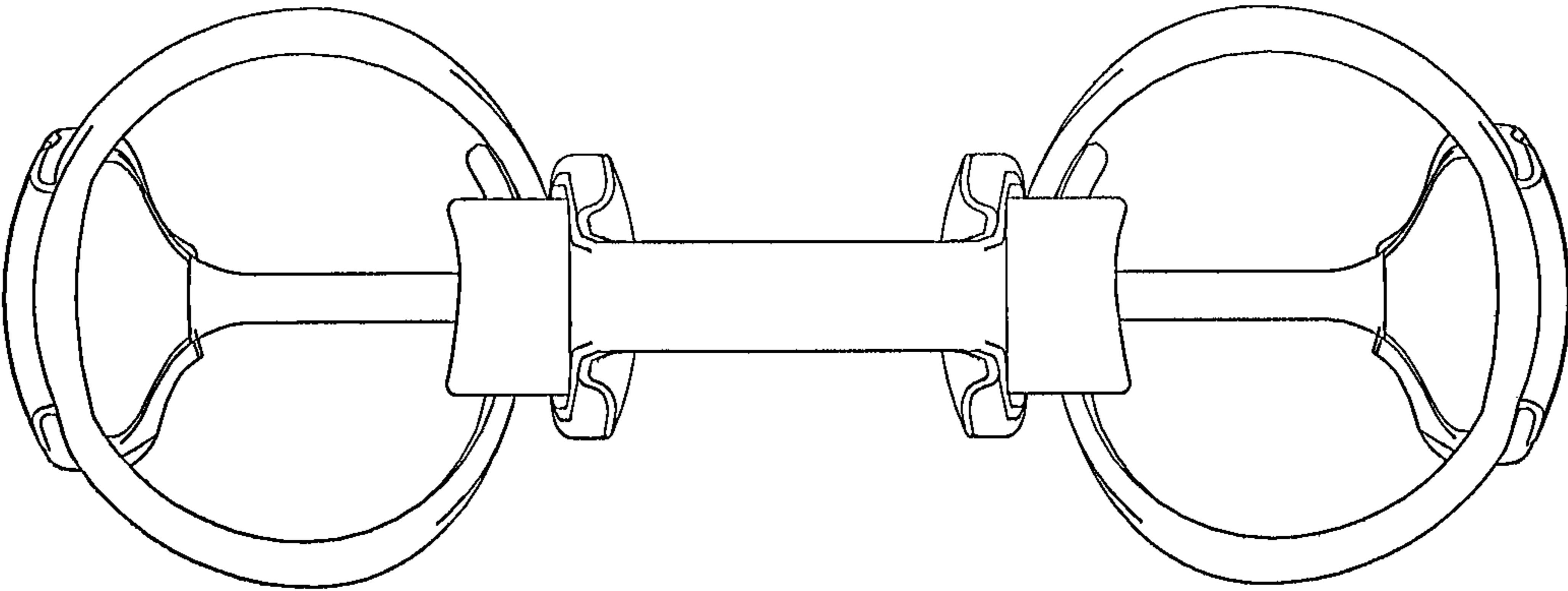


Figure 7

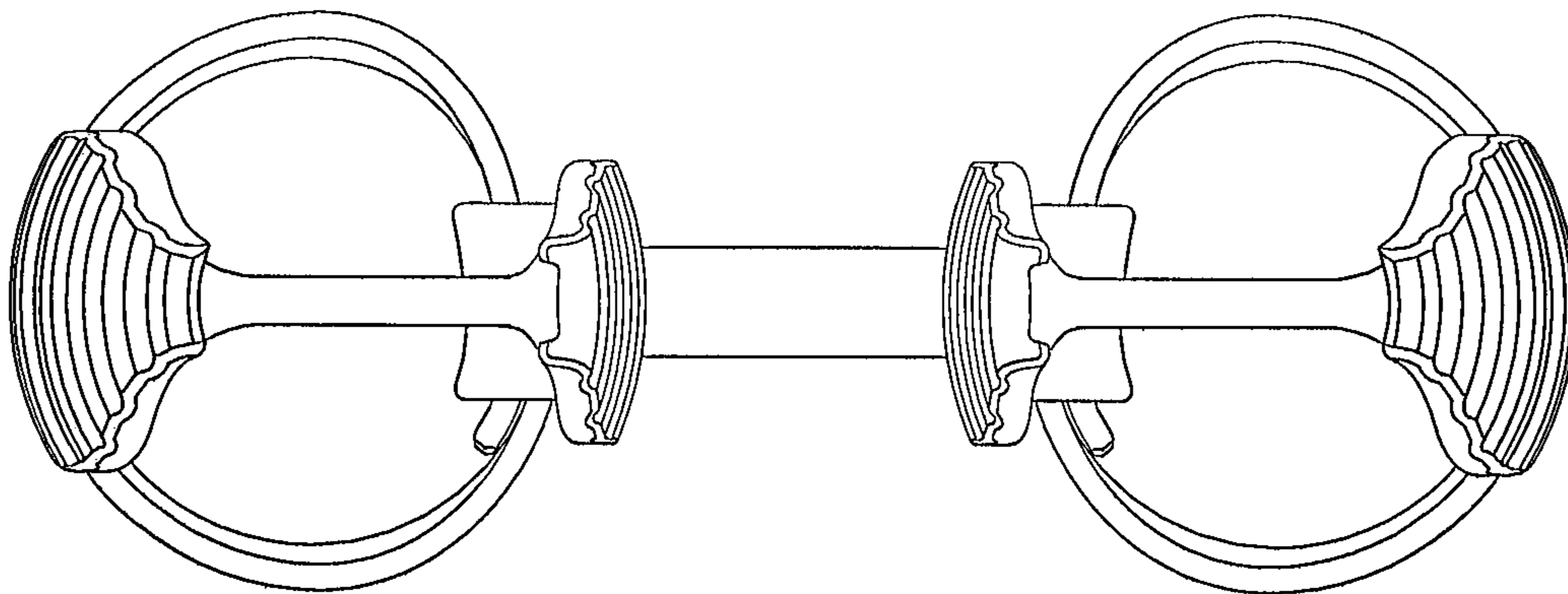


Figure 8