



US00D726311S

(12) **United States Design Patent**
Lampropoulos et al.

(10) **Patent No.:** **US D726,311 S**
(45) **Date of Patent:** **** Apr. 7, 2015**

(54) **MECHANICALLY ASSISTED DEVICE HANDLE**

(76) Inventors: **Fred Lampropoulos**, Salt Lake City, UT (US); **James Paulsen**, Salt Lake City, UT (US); **Brian Stevens**, Pleasant Grove, UT (US); **William Padilla**, Sandy, UT (US); **Gregory R. McArthur**, Sandy, UT (US)

(**) Term: **14 Years**

(21) Appl. No.: **29/424,608**

(22) Filed: **Jun. 13, 2012**

(51) **LOC (10) Cl.** **24-02**

(52) **U.S. Cl.**
USPC **D24/130**

(58) **Field of Classification Search**
USPC D24/127-131, 112-114, 133, 186; 606/181, 185; 604/97.03, 98.01, 99.01, 604/264, 272, 115, 232, 187, 158, 164.08, 604/192, 263, 163, 181, 184, 198, 227; 600/101, 139, 143; 128/200.24, 128/207.14, 207.15

See application file for complete search history.

(56) **References Cited**

U.S. PATENT DOCUMENTS

5,011,476	A	4/1991	Foster	
5,047,015	A	9/1991	Foote et al.	
5,057,078	A	10/1991	Foote et al.	
5,163,904	A	11/1992	Lampropoulos et al.	
5,168,757	A *	12/1992	Rabenau et al.	73/714
5,209,732	A	5/1993	Lampropoulos et al.	
5,279,563	A *	1/1994	Brucker et al.	604/97.02
5,306,248	A *	4/1994	Barrington	604/97.02
5,336,183	A *	8/1994	Greelis et al.	604/97.03
5,425,713	A	6/1995	Taylor et al.	
5,453,091	A	9/1995	Taylor et al.	
5,507,727	A	4/1996	Crainich	
5,554,132	A *	9/1996	Straits et al.	604/227

5,571,133	A *	11/1996	Yoon	606/185
D376,357	S *	12/1996	Ferland et al.	D14/428
5,609,604	A *	3/1997	Schwemberger et al.	606/185
5,674,237	A *	10/1997	Ott	606/185
5,713,242	A	2/1998	Kanner et al.	
D401,324	S	11/1998	Hjertman et al.	
6,106,496	A	8/2000	Arnisolle	
D489,456	S *	5/2004	Groenke et al.	D24/147

(Continued)

FOREIGN PATENT DOCUMENTS

EP	0565045	10/1993
KR	1020110025578	3/2011

(Continued)

OTHER PUBLICATIONS

U.S. Appl. No. 29/405,006, filed Oct. 27, 2011, Stevens et al.

(Continued)

Primary Examiner — David Muller

(74) *Attorney, Agent, or Firm* — Stoel Rives LLP

(57) **CLAIM**

The ornamental design for a mechanically assisted device handle, as shown and described.

DESCRIPTION

FIG. 1 is a perspective view of a mechanically assisted device handle, lined for the colors blue and green.

FIG. 2 is a second perspective view thereof;

FIG. 3 is a front view thereof;

FIG. 4 is a back view thereof;

FIG. 5 is a left side view thereof;

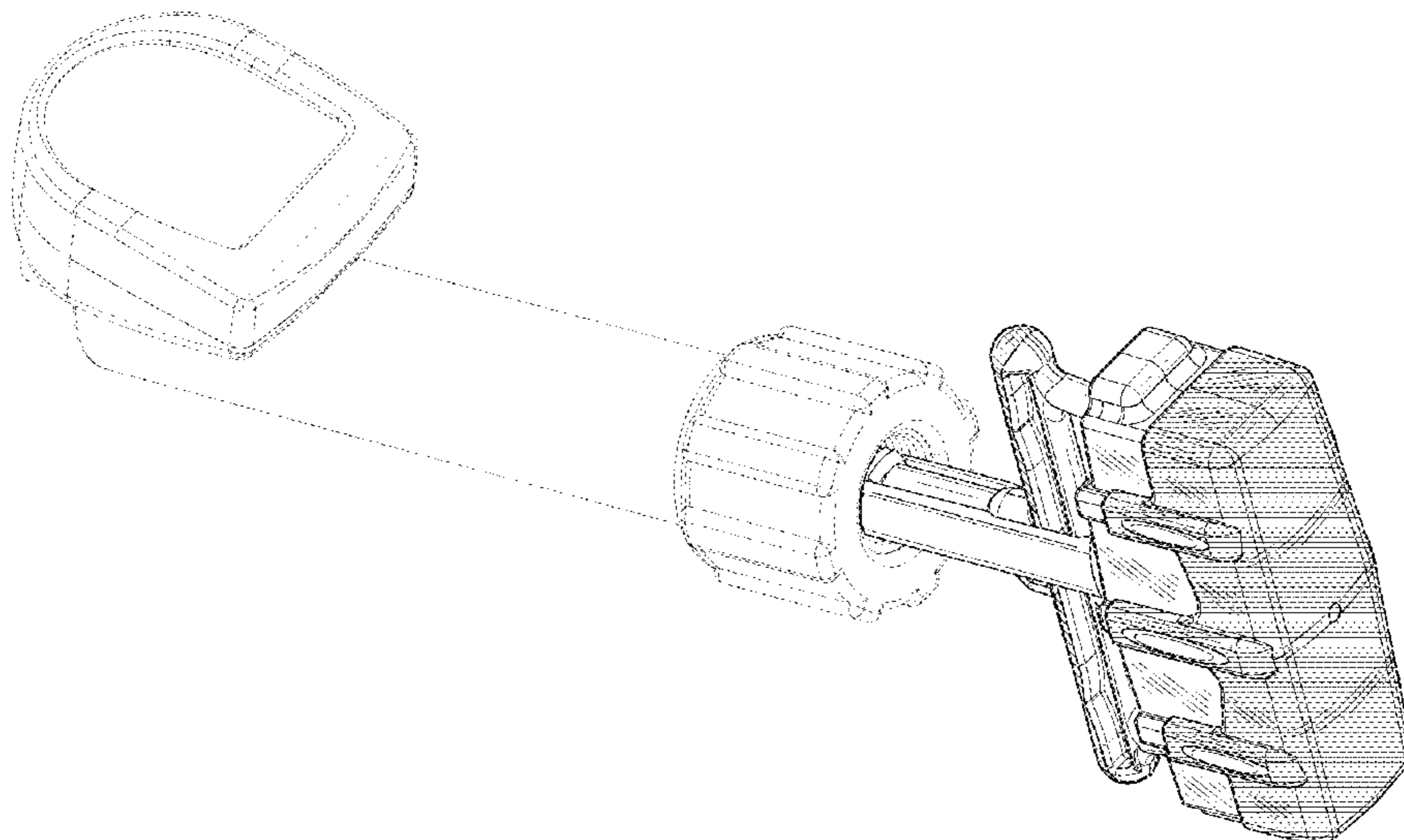
FIG. 6 is a right side view thereof;

FIG. 7 is a top view thereof; and,

FIG. 8 is a bottom view thereof.

The broken line showing of parts of the drawings is included for the purpose of illustrating use and environment and forms no part of the claimed design.

1 Claim, 6 Drawing Sheets



(56)

References Cited

OTHER PUBLICATIONS

U.S. PATENT DOCUMENTS

6,796,959	B2 *	9/2004	Davis et al.	604/97.03
6,936,034	B2	8/2005	Watkins	
D545,429	S	6/2007	Hays	
7,351,223	B2 *	4/2008	Call	604/97.03
7,530,970	B2	5/2009	McArthur et al.	
7,892,202	B2	2/2011	Lampropoulos et al.	
8,118,776	B2	2/2012	Lampropoulos et al.	
8,137,307	B2	3/2012	Tennican et al.	
D661,389	S	6/2012	Morgan et al.	
D667,950	S	9/2012	Hyun et al.	
D683,452	S *	5/2013	Davies et al.	D24/144
8,506,572	B2	8/2013	Evans et al.	
D690,417	S	9/2013	Solomon	
2011/0046604	A1	2/2011	Felsovalyi et al.	

FOREIGN PATENT DOCUMENTS

KR	1020130047657	5/2013
WO	WO97/44077	11/1997

U.S. Appl. No. 13/464,046, filed May 4, 2012, Lampropoulos et al.
 U.S. Appl. No. 29/430,061, filed Aug. 21, 2012, Lampropoulos et al.
 Office Action dated Apr. 12, 2013 for U.S. Appl. No. 13/464,046.
 Notice of Allowance dated Aug. 7, 2013 for U.S. Appl. No. 13/464,046.
 International Search Report and Written Opinion dated Aug. 17, 2012 for PCT/US2012/036473.
 Office Action dated Dec. 20, 2013 for U.S. Appl. No. 29/405,006.
 U.S. Appl. No. 14/460,650, filed Aug. 15, 2014, Chadwick et al.
 International Search Report and Written Opinion dated Nov. 19, 2014 for PCT/US2014/051219.
 Office Action dated Jan. 2, 2015 for U.S. Appl. No. 29/430,061.

* cited by examiner

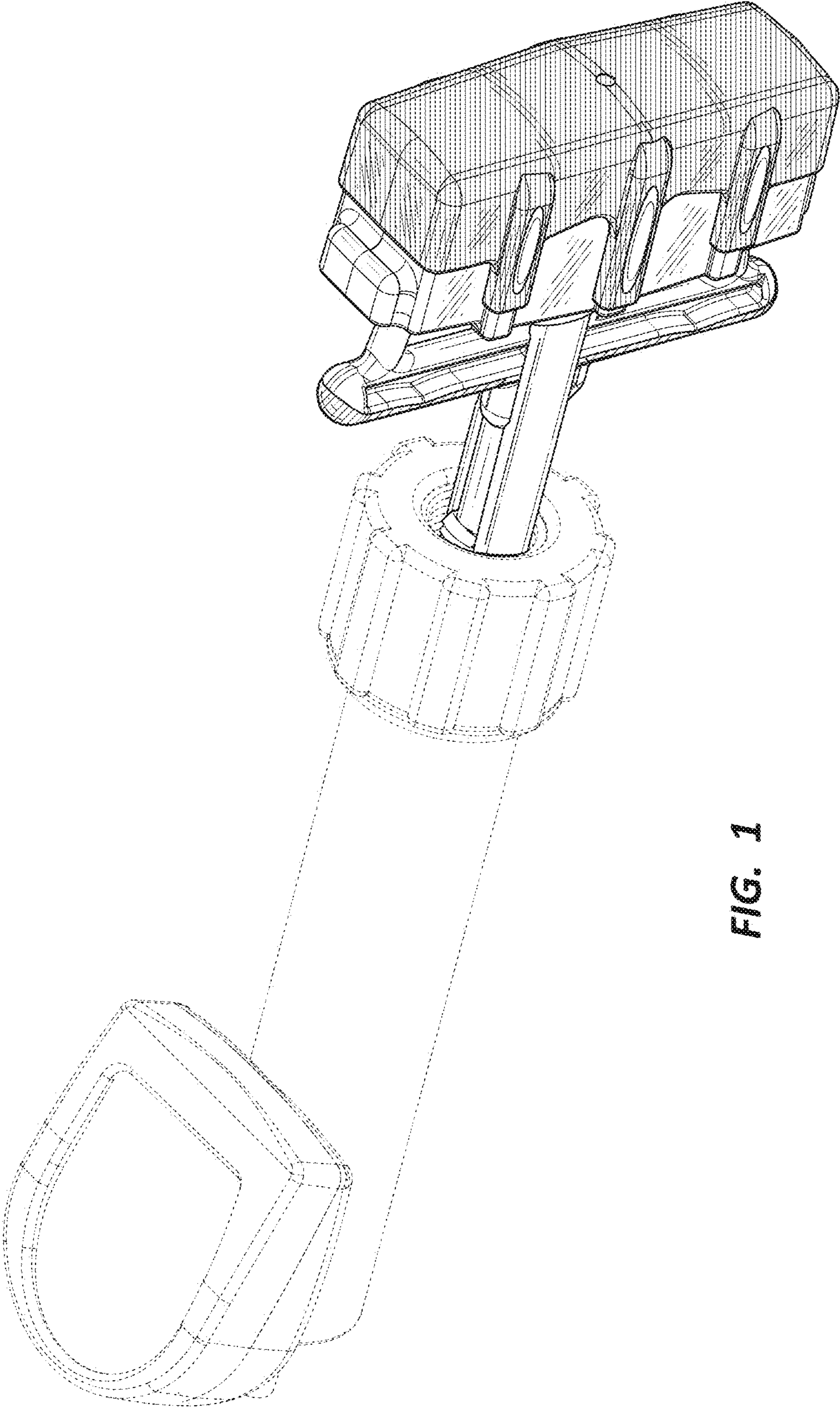


FIG. 1

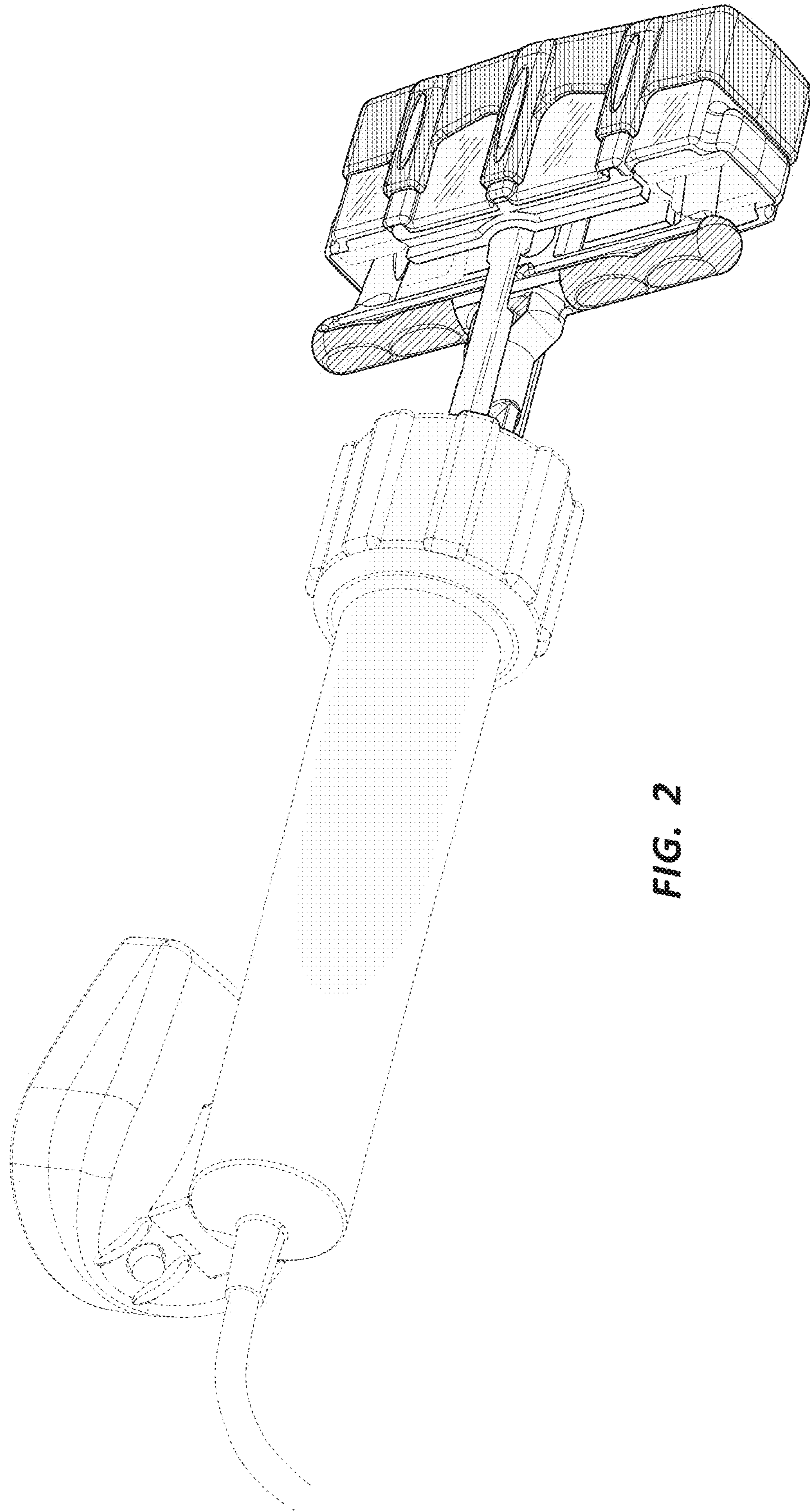


FIG. 2

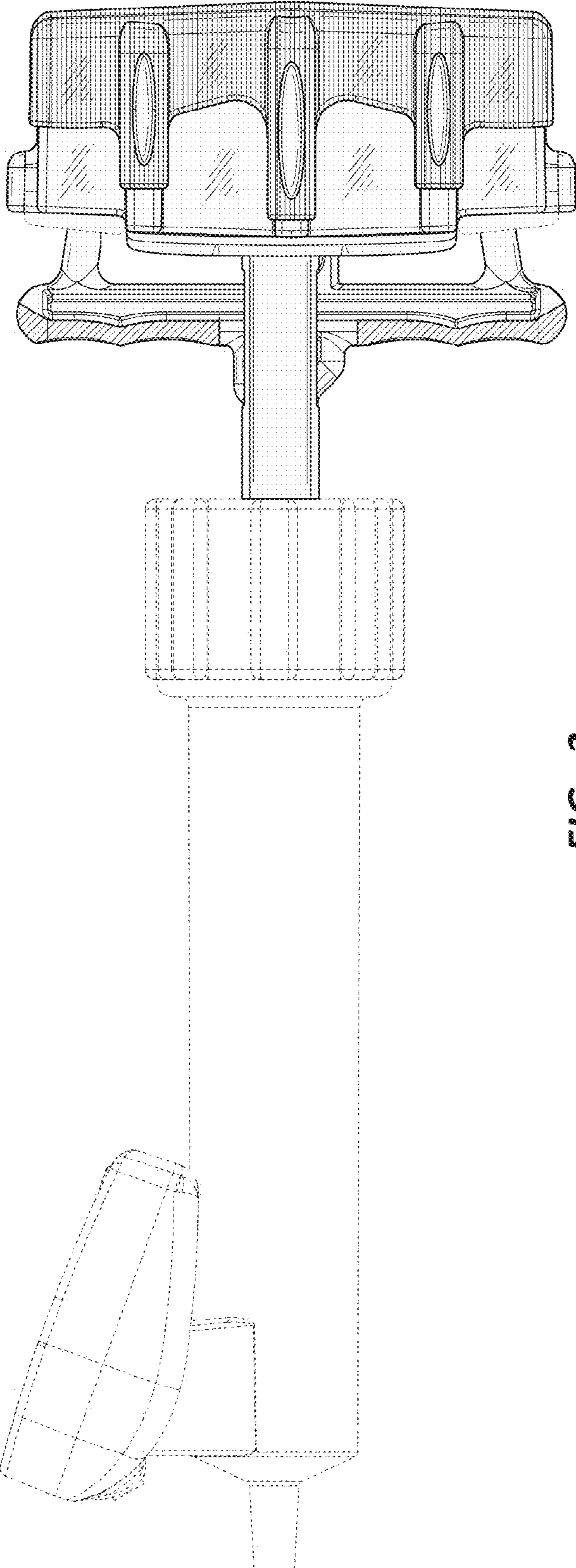


FIG. 3

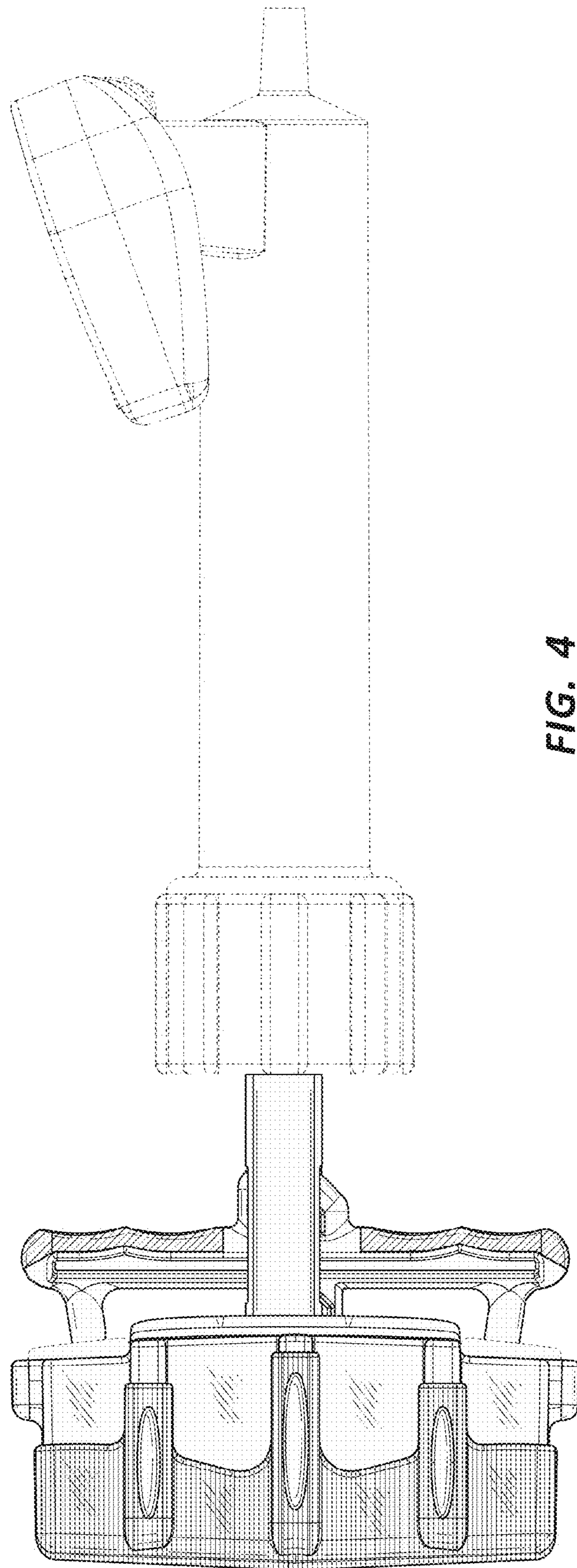


FIG. 4

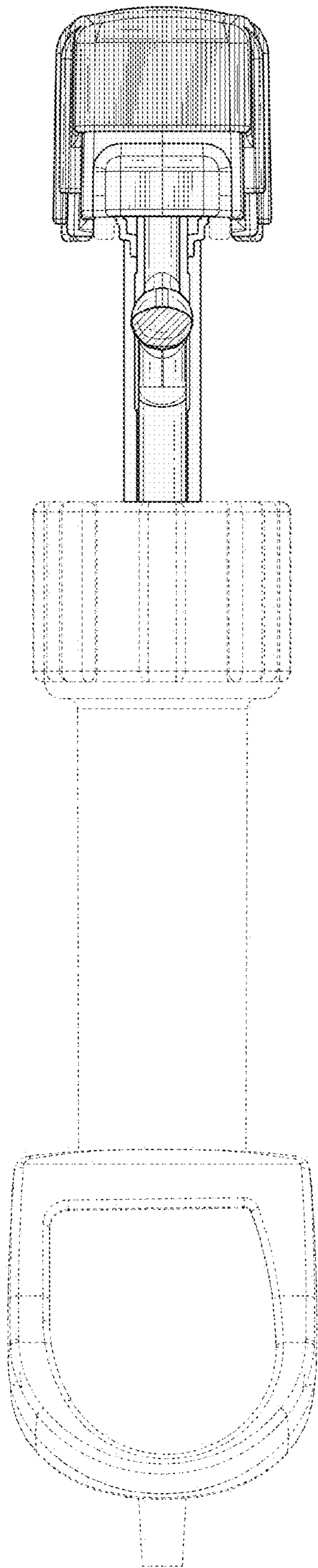


FIG. 5

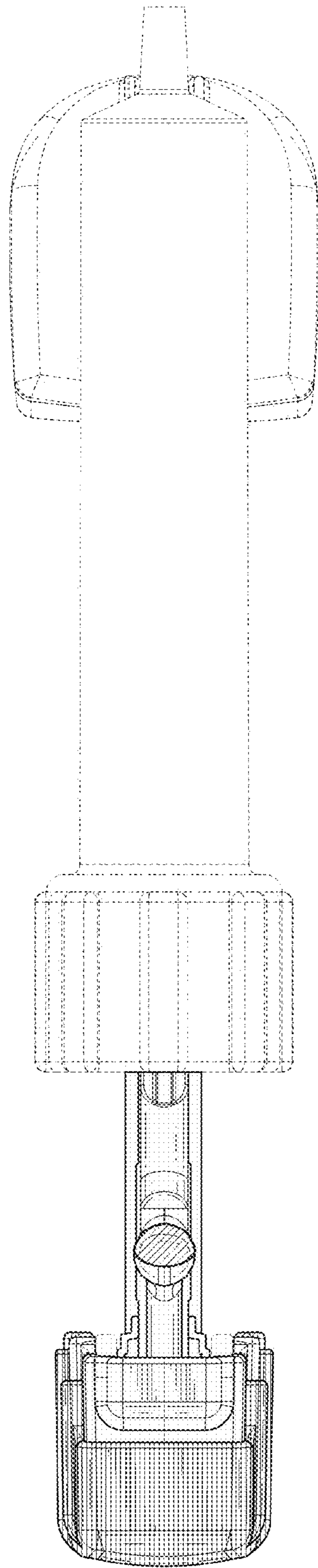


FIG. 6

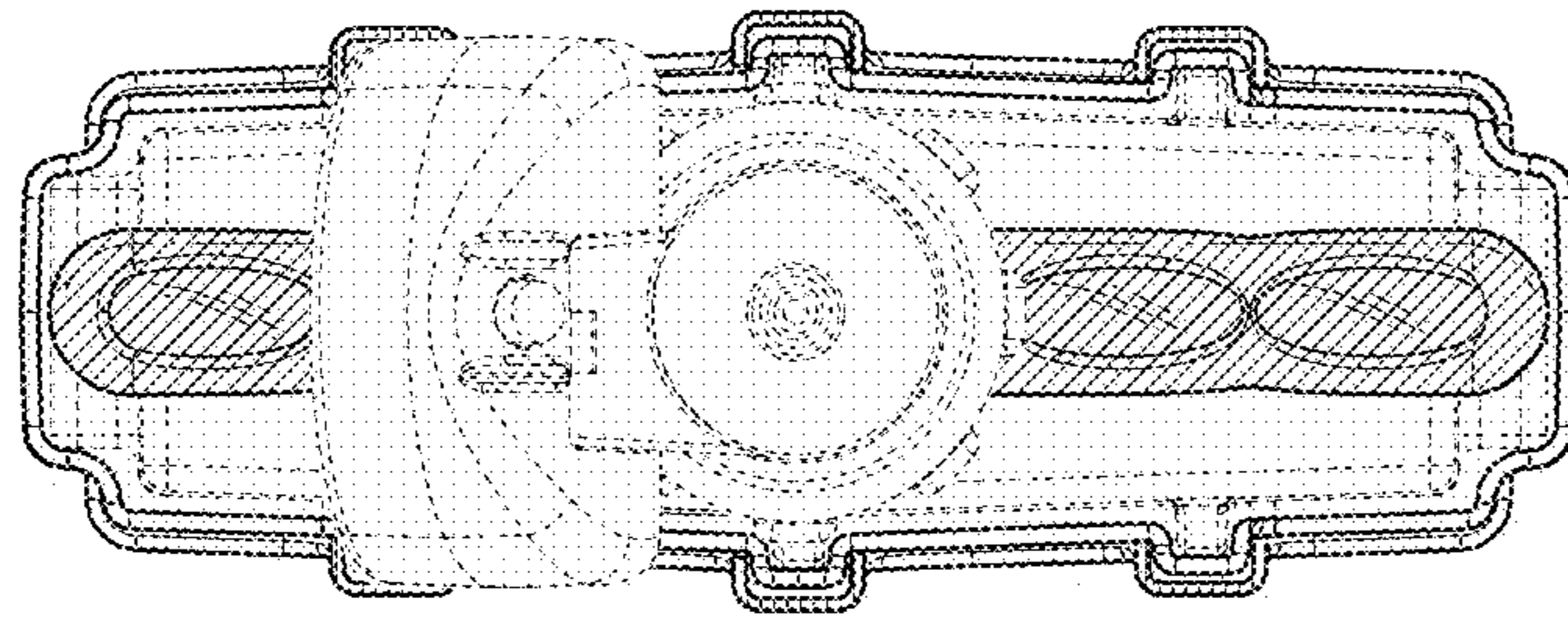


FIG. 8

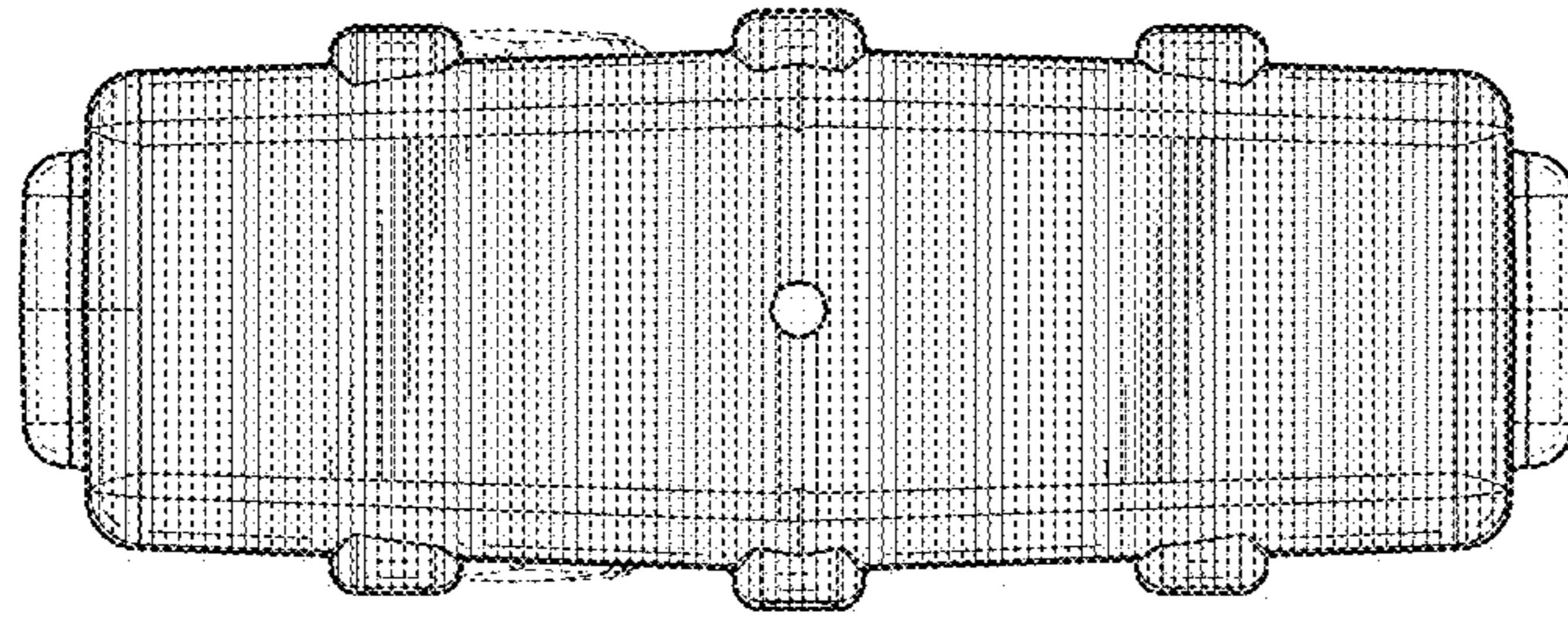


FIG. 7