



US00D726310S

(12) **United States Design Patent**
Miller

(10) **Patent No.:** **US D726,310 S**

(45) **Date of Patent:** **** Apr. 7, 2015**

(54) **SET OF URINATION SHIELDS**

(76) Inventor: **Jessica Marie Miller**, Bunnlevel, NC
(US)

(**) Term: **14 Years**

(21) Appl. No.: **29/422,662**

(22) Filed: **May 23, 2012**

(51) **LOC (10) Cl.** **24-04**

(52) **U.S. Cl.**
USPC **D24/122**

(58) **Field of Classification Search**

CPC ... A61F 13/471; A61F 5/453; A61B 17/0493;
E03D 11/025; E03D 13/005; A47K 13/08;
Y10S 4/05

USPC D24/122, 124; 604/346, 349; D1/102,
D1/105, 116, 118; D3/206; 4/144.2;
426/87; D8/354; D10/113.2; 116/63 R

See application file for complete search history.

(56) **References Cited**

U.S. PATENT DOCUMENTS

2,333,273	A *	11/1943	Scanlon	116/63 R
2,534,934	A	12/1950	Viniegra	
2,734,198	A *	2/1956	Kutsche	4/144.2
2,800,099	A *	7/1957	Baker	116/63 R
3,192,889	A *	7/1965	Crudgington	116/63 R
4,453,938	A	6/1984	Brendling	
D294,972	S	3/1988	Nicklasson	
4,859,476	A *	8/1989	Herting	426/87
D320,500	S *	10/1991	Kuhnel	D3/206
6,080,139	A	6/2000	Gallegos	
6,379,343	B2	4/2002	Stephenson	
D491,658	S	6/2004	Malcic	
D524,945	S	7/2006	Pimental	
D579,369	S *	10/2008	Spataro	D10/113.2
D587,367	S	2/2009	Finn	
D602,156	S *	10/2009	Young	D24/122
7,712,156	B2	5/2010	Raber	
D633,276	S *	3/2011	Henszey	D1/105
D673,027	S *	12/2012	Wang	D8/354

D688,028	S *	8/2013	Nardiello et al.	D1/116
D703,811	S *	4/2014	Ludert et al.	D24/122
2004/0265433	A1 *	12/2004	Leas et al.	426/87
2007/0163030	A1	7/2007	Reddy	
2007/0197983	A1	8/2007	Finn	
2010/0263113	A1 *	10/2010	Shelton et al.	4/144.2
2012/0117720	A1 *	5/2012	King-Boutte	4/144.2

OTHER PUBLICATIONS

Pee-pee Teepee, Beba Bean, [online], [retrieved on Dec. 22, 2014]. Retrieved from the Internet <URL: <http://www.bebabean.com/pee-pee-teepee/>>.*

Pee Pee Teepee, Etsy, [online], [retrieved on Dec. 22, 2014]. Retrieved from the Internet <URL: https://www.etsy.com/search?q=%22pee+pee+teepee%22&order=most_relevant&page=5>.*

Wee Wee Wigwam, Etsy, [online], [retrieved on Dec. 22, 2014]. Retrieved from the Internet <URL: <https://www.etsy.com/search?q=wee+wee+wigwam&page=2>>.*

* cited by examiner

Primary Examiner — Karen E Kearney

Assistant Examiner — Nicole Shiflet

(74) *Attorney, Agent, or Firm* — QuickPatents; Kevin Prince

(57) **CLAIM**

I claim the ornamental design for a set of urination shields, as shown and described.

DESCRIPTION

FIG. 1 is a perspective view of a set of urination shields, showing my new design;

FIG. 2 is a front elevational view thereof;

FIG. 3 is a top plan view thereof;

FIG. 4 is a bottom plan view thereof;

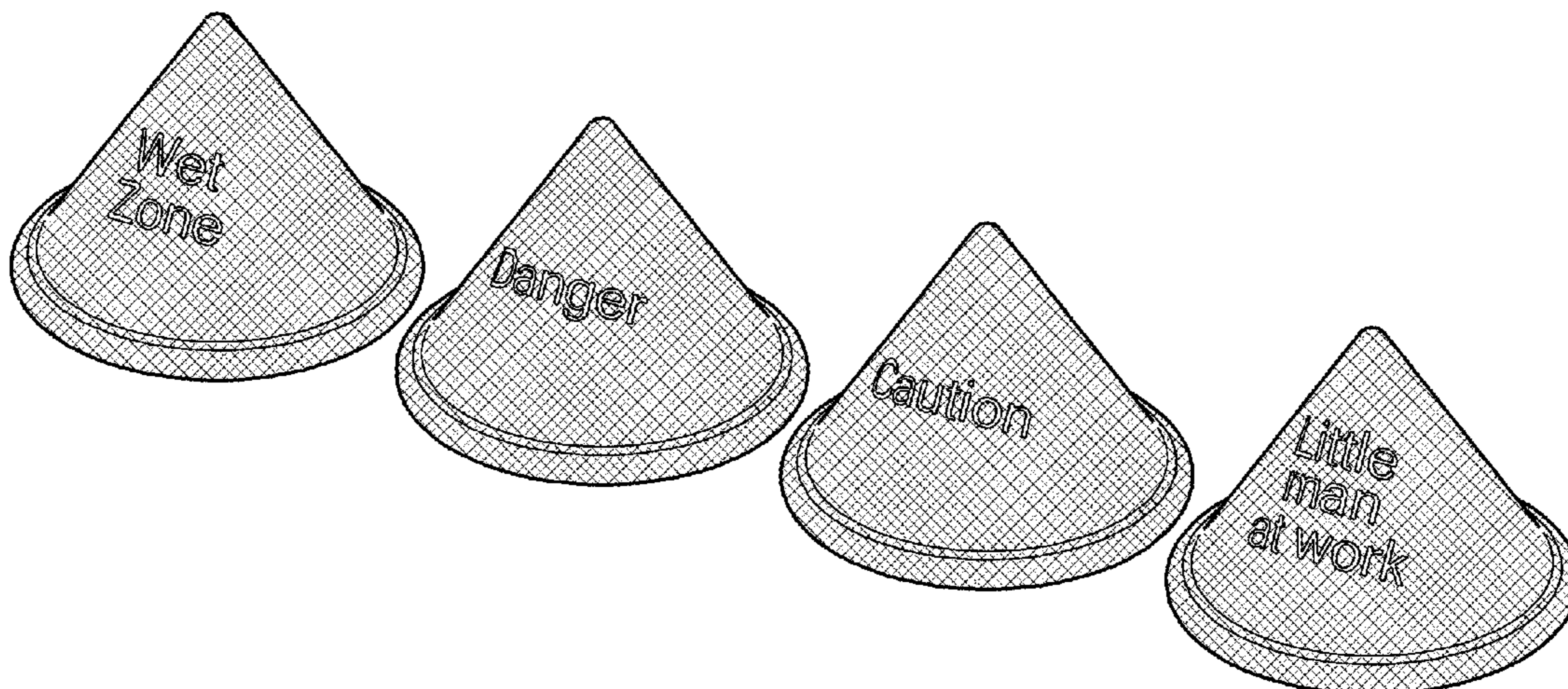
FIG. 5 is a rear elevational view thereof;

FIG. 6 is a right-side elevational view thereof; and,

FIG. 7 is a left-side elevational view thereof.

The shading pattern in the figures represents the color orange.

1 Claim, 3 Drawing Sheets



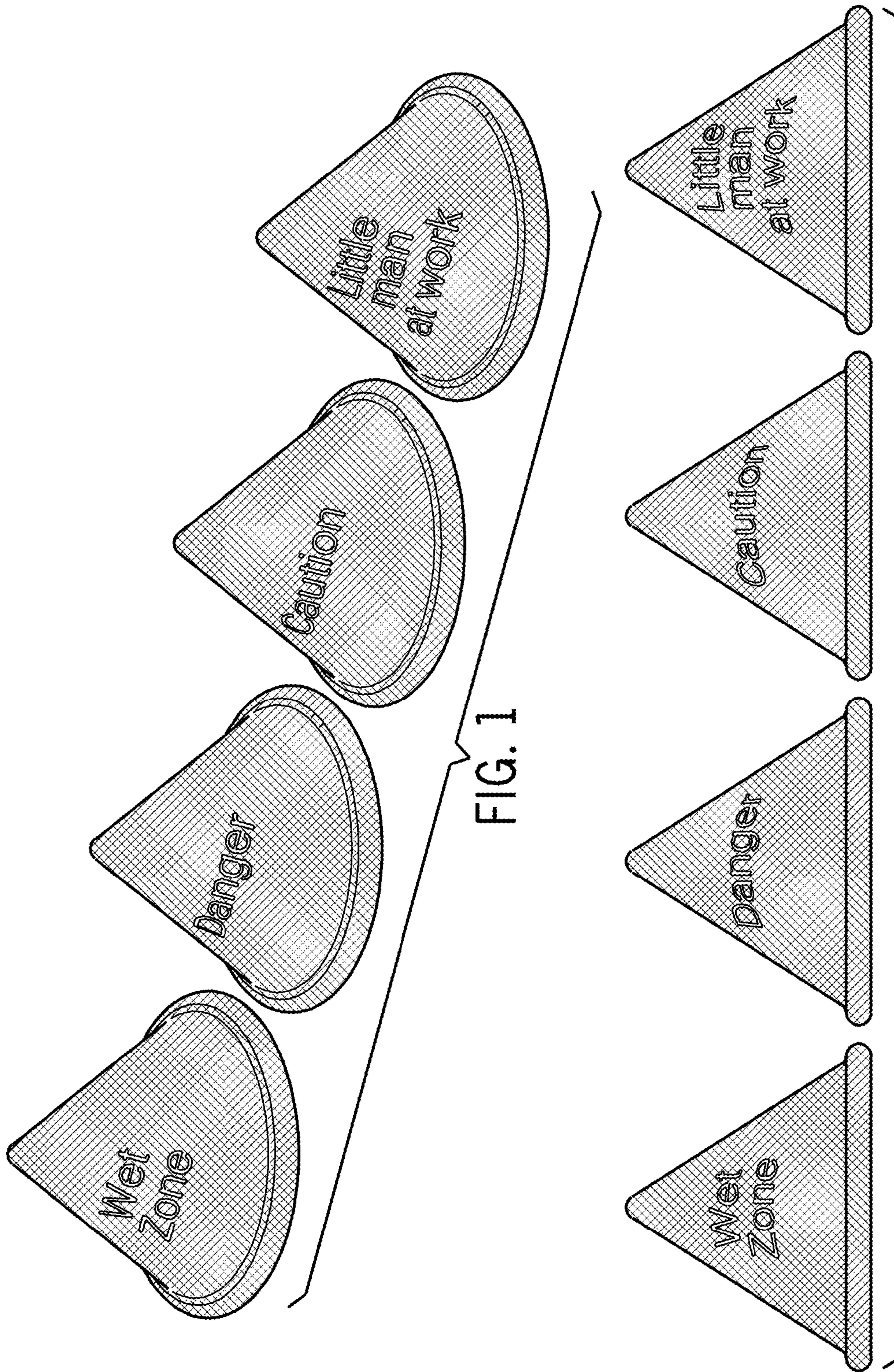


FIG. 1

FIG. 2

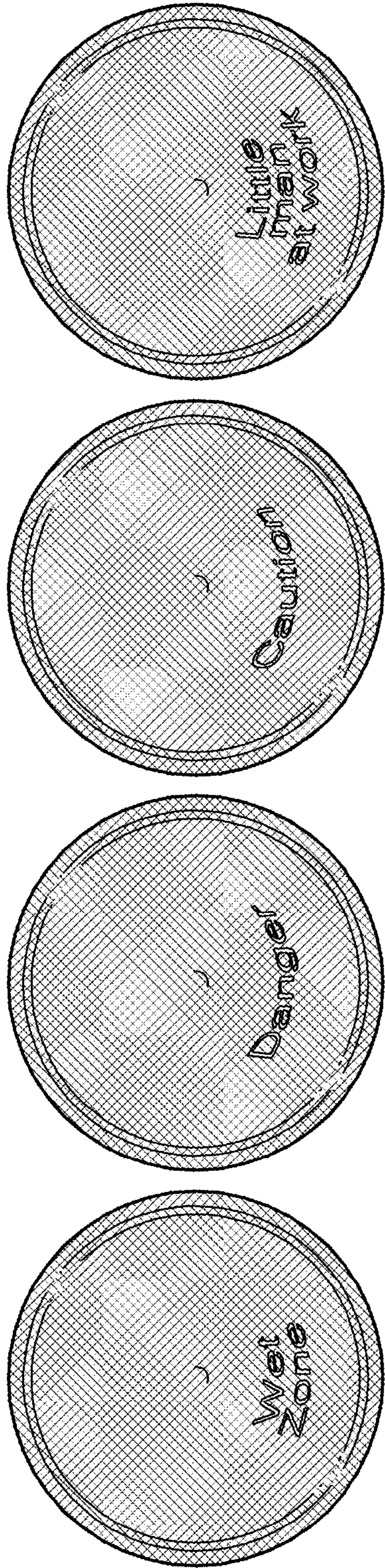


FIG. 3

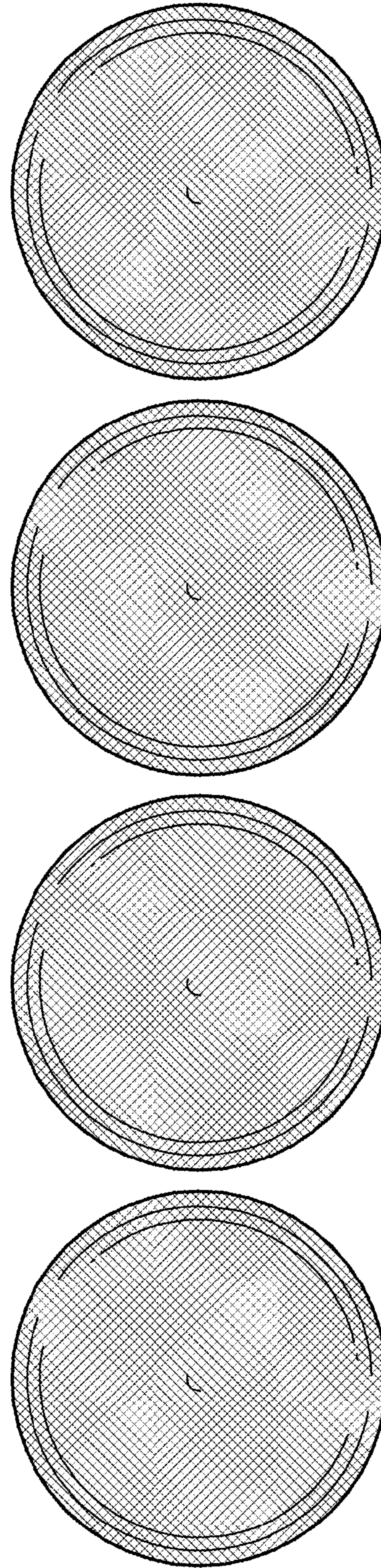


FIG. 4

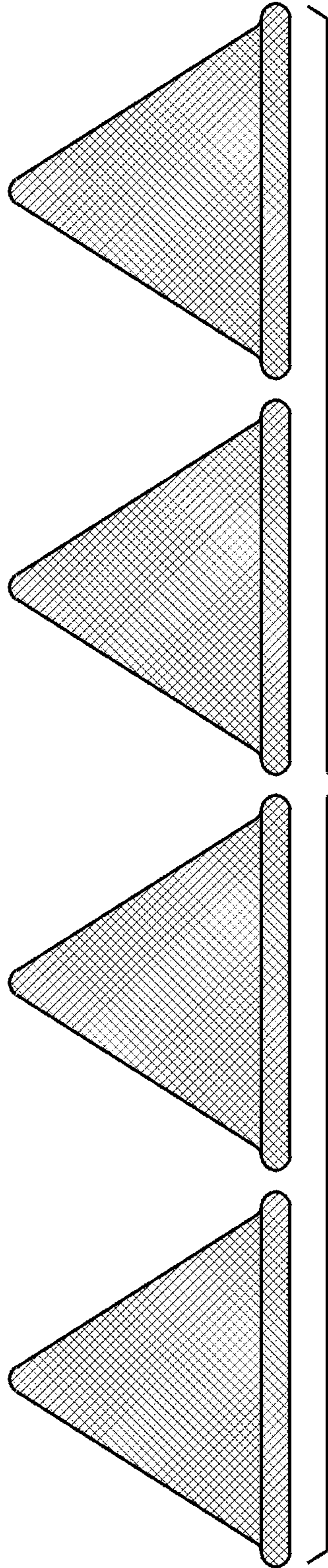


FIG. 5

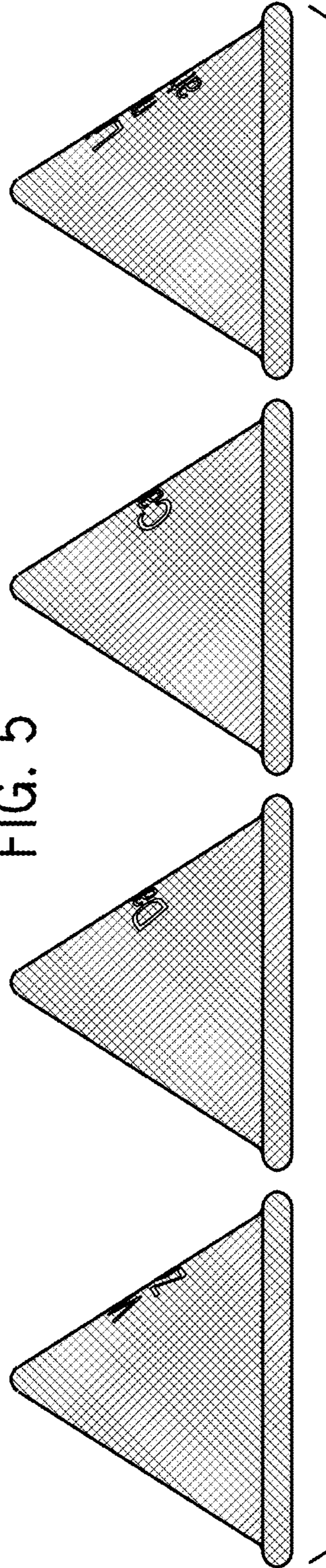


FIG. 6

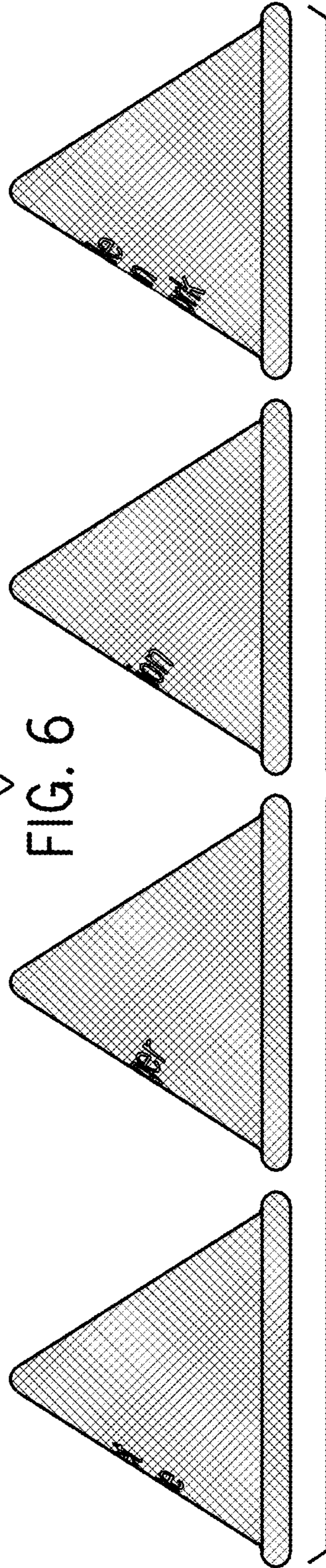


FIG. 7