



US00D726307S

(12) **United States Design Patent**
Green

(10) **Patent No.:** **US D726,307 S**

(45) **Date of Patent:** **** Apr. 7, 2015**

(54) **CELL ENCAPSULATION DEVICE**
(75) Inventor: **Chad Green**, San Diego, CA (US)
(73) Assignee: **Viacyte Inc.**, San Diego, CA (US)
(**) Term: **14 Years**

5,733,336 A 3/1998 Neuenfeldt et al.
5,759,180 A * 6/1998 Myhres 604/332
5,902,745 A * 5/1999 Butler et al. 435/297.2
5,964,261 A 10/1999 Neuenfeldt et al.
6,060,640 A 5/2000 Pauley et al.
D548,609 S * 8/2007 Considine et al. D9/611

* cited by examiner

(21) Appl. No.: **29/408,370**
(22) Filed: **Dec. 12, 2011**
(51) **LOC (10) Cl.** **24-02**
(52) **U.S. Cl.**
USPC **D24/118**
(58) **Field of Classification Search**
USPC D24/118, 127, 108, 128, 111, 189;
604/317, 327, 408, 403, 108, 339, 92,
604/415, 410, 332, 333, 322, 323;
128/DIG. 24; 383/22, 23, 35; D9/707,
D9/709, 696; 206/219; D18/56; 623/23.72,
623/1.41, 13.17; 435/325
See application file for complete search history.

Primary Examiner — David Muller
(74) *Attorney, Agent, or Firm* — Kilpatrick Townsend & Stockton LLP

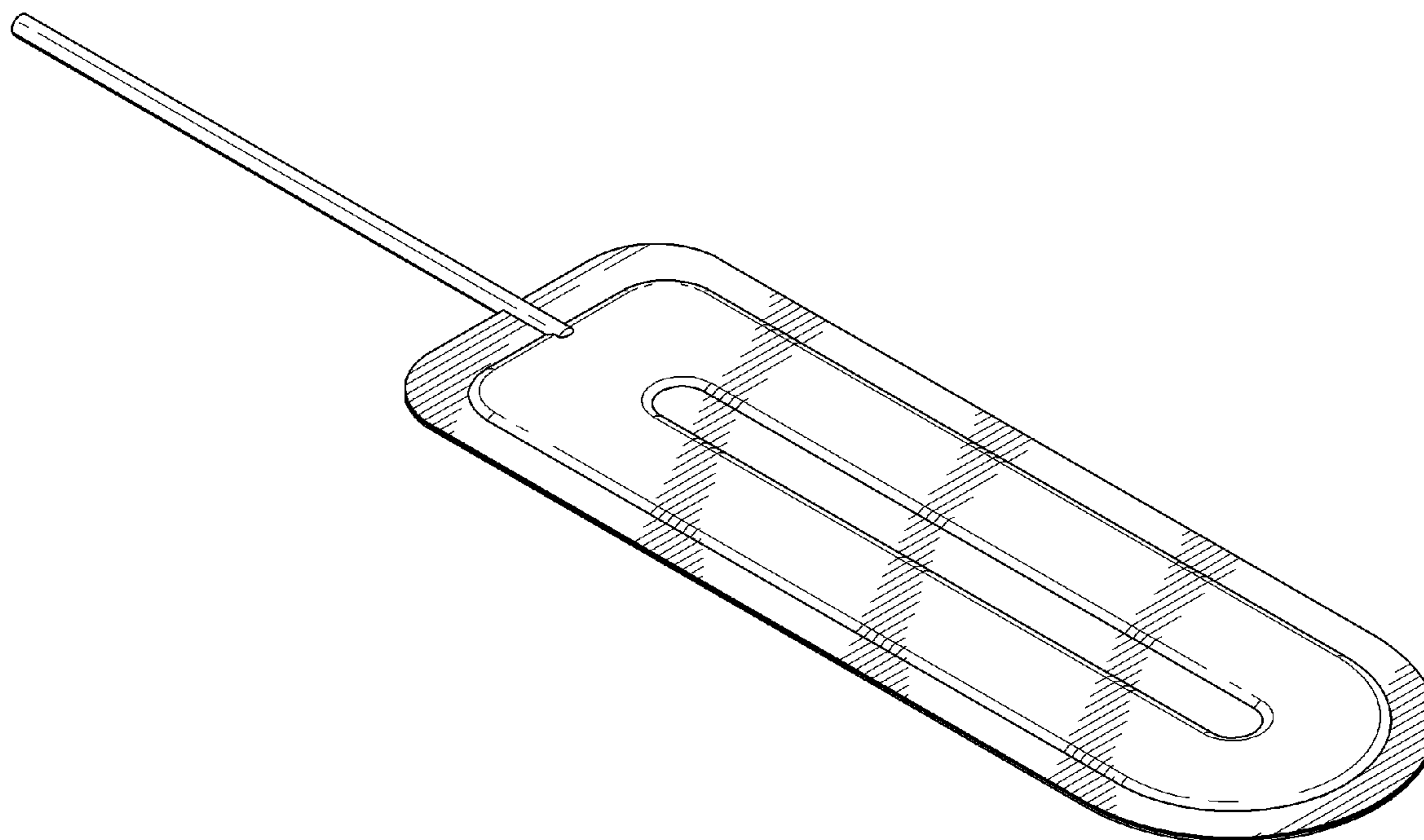
(57) **CLAIM**
The ornamental design for the cell encapsulation device, as shown.

DESCRIPTION

FIG. 1 is a perspective view of a first embodiment of the cell encapsulation device;
FIG. 2 is a top plan view thereof;
FIG. 3 is a bottom plan view thereof;
FIG. 4 is a left side elevation view thereof;
FIG. 5 is a right side elevation view thereof;
FIG. 6 is a rear elevation view thereof;
FIG. 7 is a front elevation view thereof.
FIG. 8 is a perspective view of a second embodiment of the cell encapsulation device;
FIG. 9 is a top plan view thereof;
FIG. 10 is a bottom plan view thereof;
FIG. 11 is a left side elevation view thereof;
FIG. 12 is a right side elevation view thereof;
FIG. 13 is a rear elevation view thereof; and,
FIG. 14 is a front elevation view thereof.

(56) **References Cited**
U.S. PATENT DOCUMENTS
2,836,329 A * 5/1958 Chenette 604/207
4,852,742 A * 8/1989 Scuorzo 206/568
5,314,471 A 5/1994 Brauker et al.
D350,690 S * 9/1994 Herro D9/696
D362,913 S * 10/1995 Eisenberg et al. D24/190
D367,705 S * 3/1996 Williams D24/132
D369,607 S * 5/1996 MacGilvary et al. D14/250
5,545,223 A 8/1996 Neuenfeldt et al.
5,593,440 A 1/1997 Brauker et al.
5,713,888 A 2/1998 Neuenfeldt et al.

1 Claim, 6 Drawing Sheets



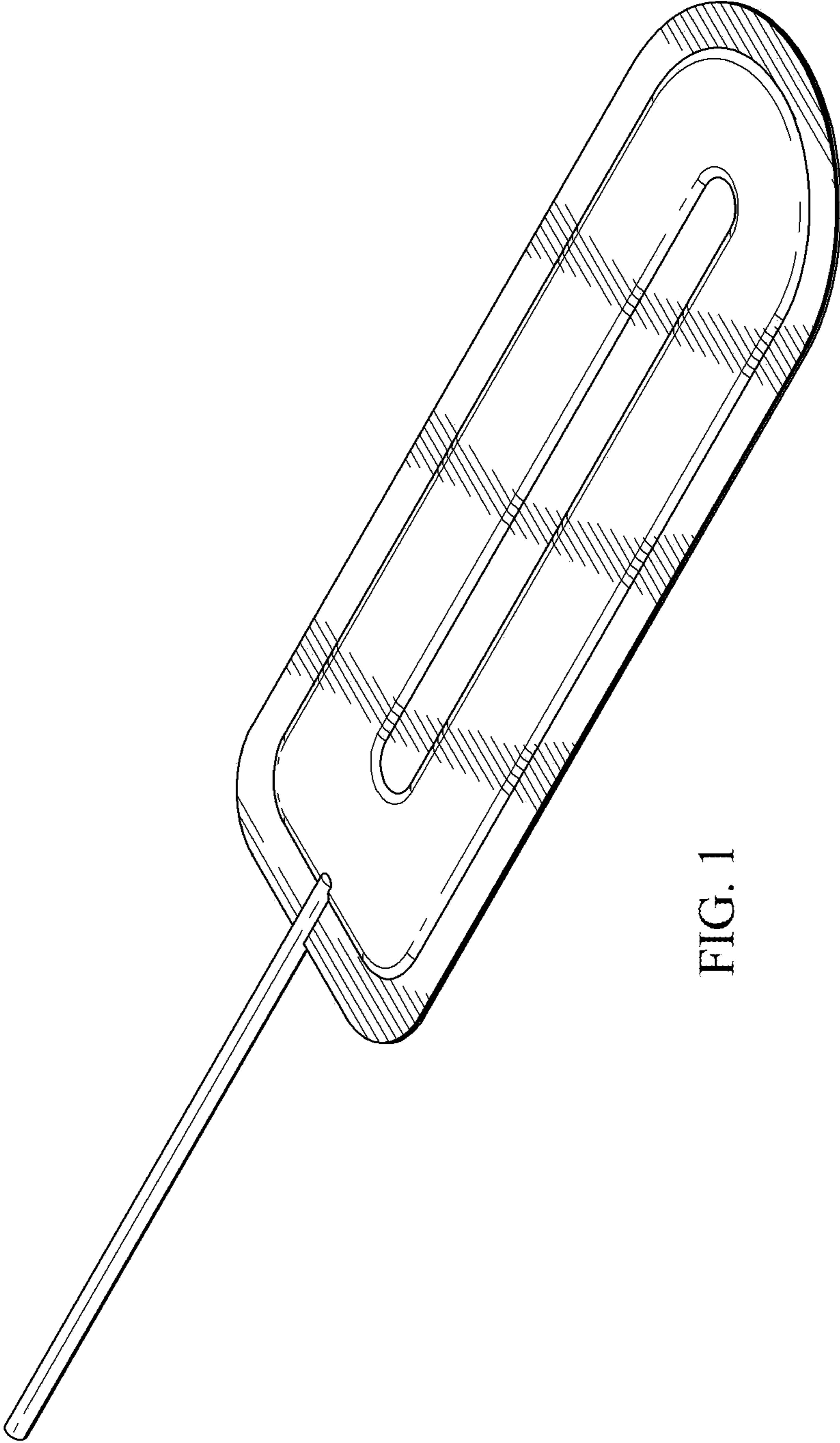


FIG. 1

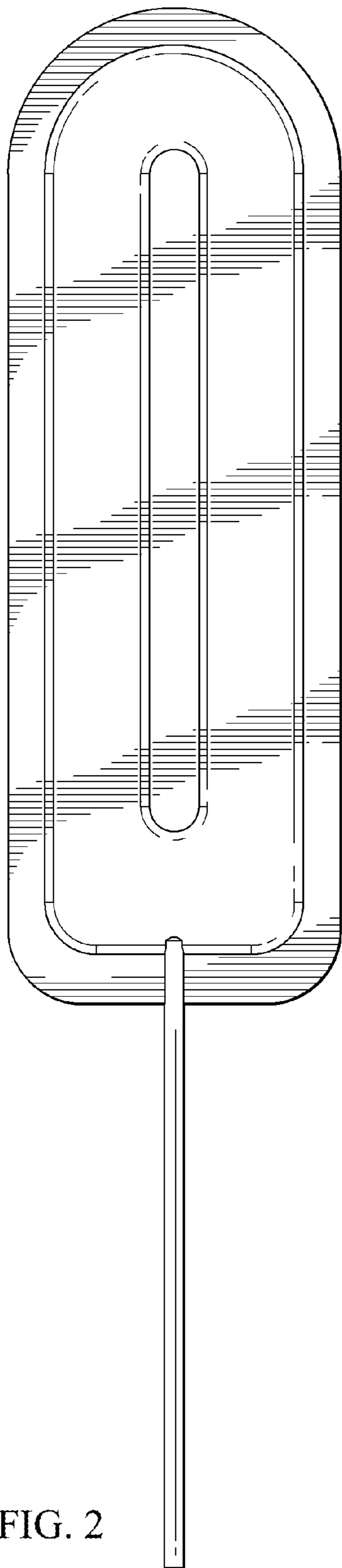


FIG. 2

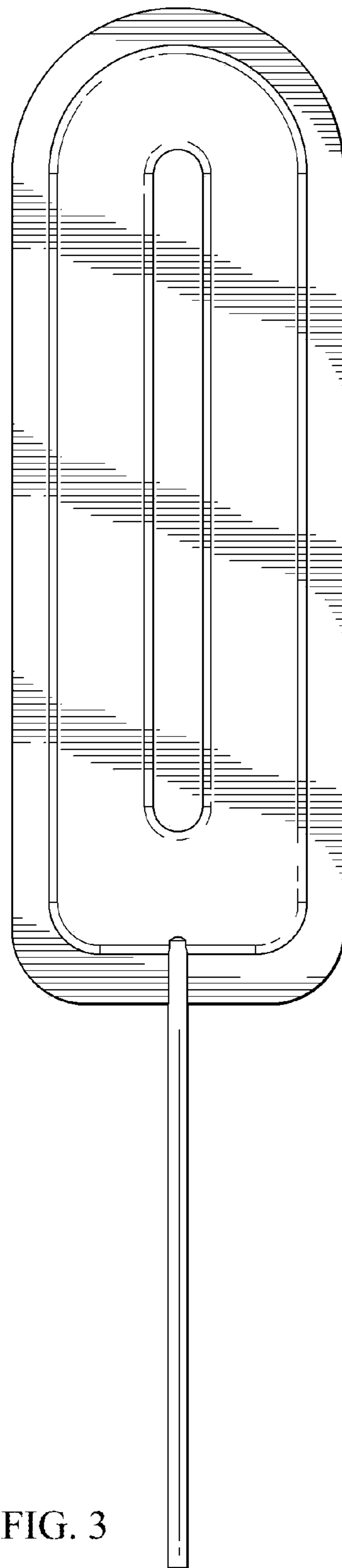


FIG. 3



FIG. 4



FIG. 5

FIG. 6



FIG. 7



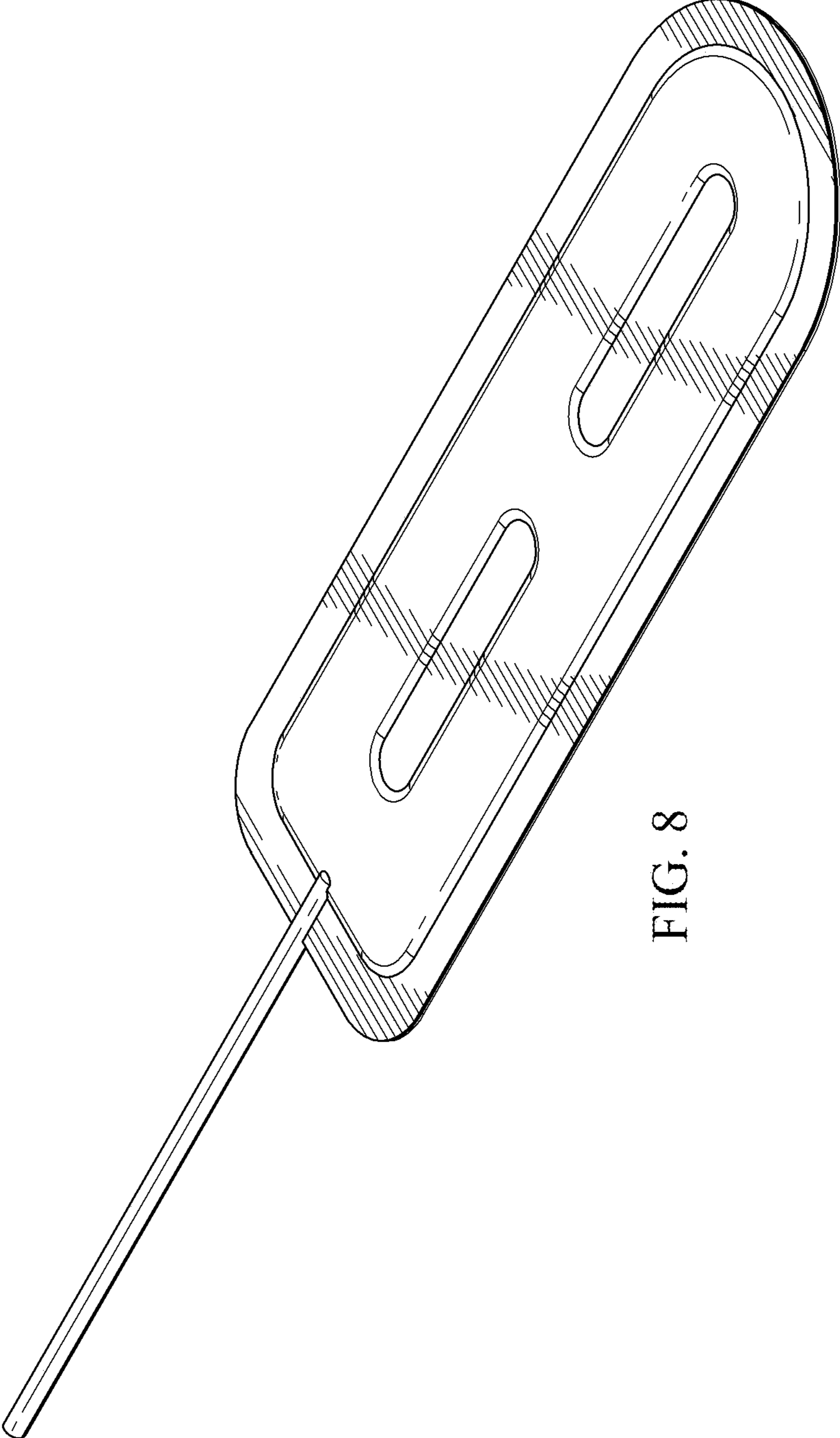


FIG. 8

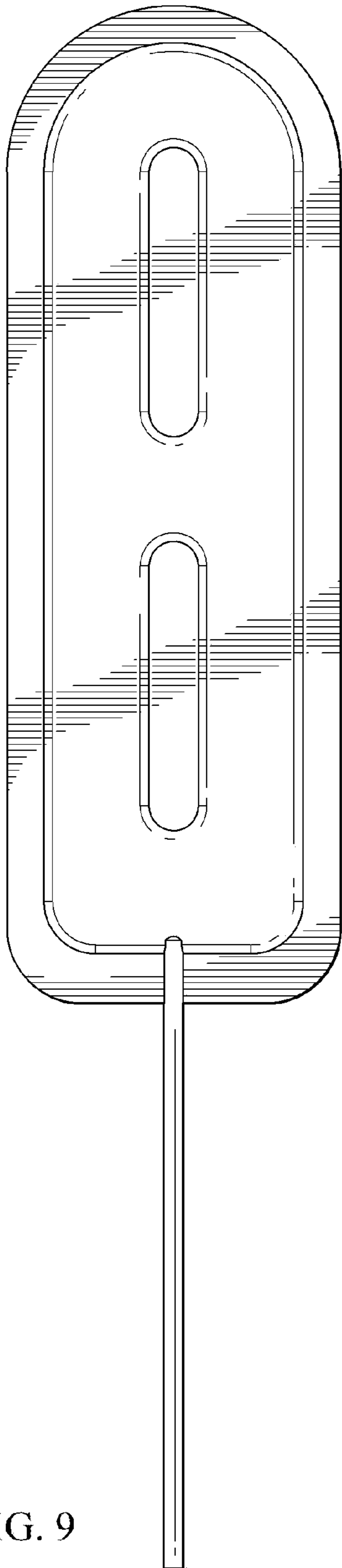


FIG. 9

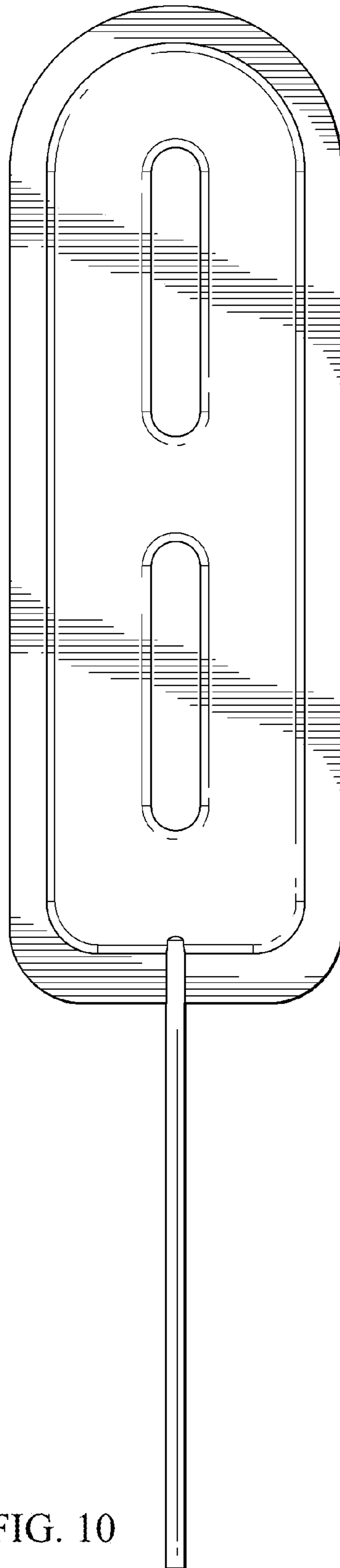


FIG. 10



FIG. 11



FIG. 12

FIG. 13



FIG. 14

