



US00D726306S

(12) **United States Design Patent**  
**Green**

(10) **Patent No.:** **US D726,306 S**

(45) **Date of Patent:** **\*\* Apr. 7, 2015**

- (54) **CELL ENCAPSULATION DEVICE**
- (75) Inventor: **Chad Green**, San Diego, CA (US)
- (73) Assignee: **Viacyte, Inc.**, San Diego, CA (US)
- (\*\*) Term: **14 Years**
- (21) Appl. No.: **29/408,366**
- (22) Filed: **Dec. 12, 2011**
- (51) **LOC (10) Cl.** ..... **24-02**
- (52) **U.S. Cl.**  
USPC ..... **D24/118**
- (58) **Field of Classification Search**  
USPC ..... D24/118, 127, 108, 128, 111, 189;  
604/317, 327, 408, 403, 108, 339, 92,  
604/415, 410, 332, 333, 322, 323;  
128/DIG. 24; 383/22, 23, 35; D9/707,  
D9/709, 696; 206/219; D18/56; 623/23.72,  
623/1.41, 13.17; 435/325  
See application file for complete search history.

- (56) **References Cited**  
U.S. PATENT DOCUMENTS  
2,836,329 A \* 5/1958 Chenette ..... 604/207  
4,852,742 A \* 8/1989 Scuorzo ..... 206/568  
5,314,471 A 5/1994 Brauker et al.  
D350,690 S \* 9/1994 Herro ..... D9/696  
D362,913 S \* 10/1995 Eisenberg et al. .... D24/190

D367,705 S *	3/1996	Williams	.....	D24/132
D369,607 S *	5/1996	MacGilvary et al.	.....	D14/250
5,545,223 A	8/1996	Neuenfeldt et al.		
5,593,440 A	1/1997	Brauker et al.		
5,713,888 A	2/1998	Neuenfeldt et al.		
5,733,336 A	3/1998	Neuenfeldt et al.		
5,759,180 A *	6/1998	Myhres	.....	604/332
5,902,745 A *	5/1999	Butler et al.	.....	435/297.2
5,964,261 A	10/1999	Neuenfeldt et al.		
6,060,640 A	5/2000	Pauley et al.		
D548,609 S *	8/2007	Considine et al.	.....	D9/611

\* cited by examiner

*Primary Examiner* — David Muller

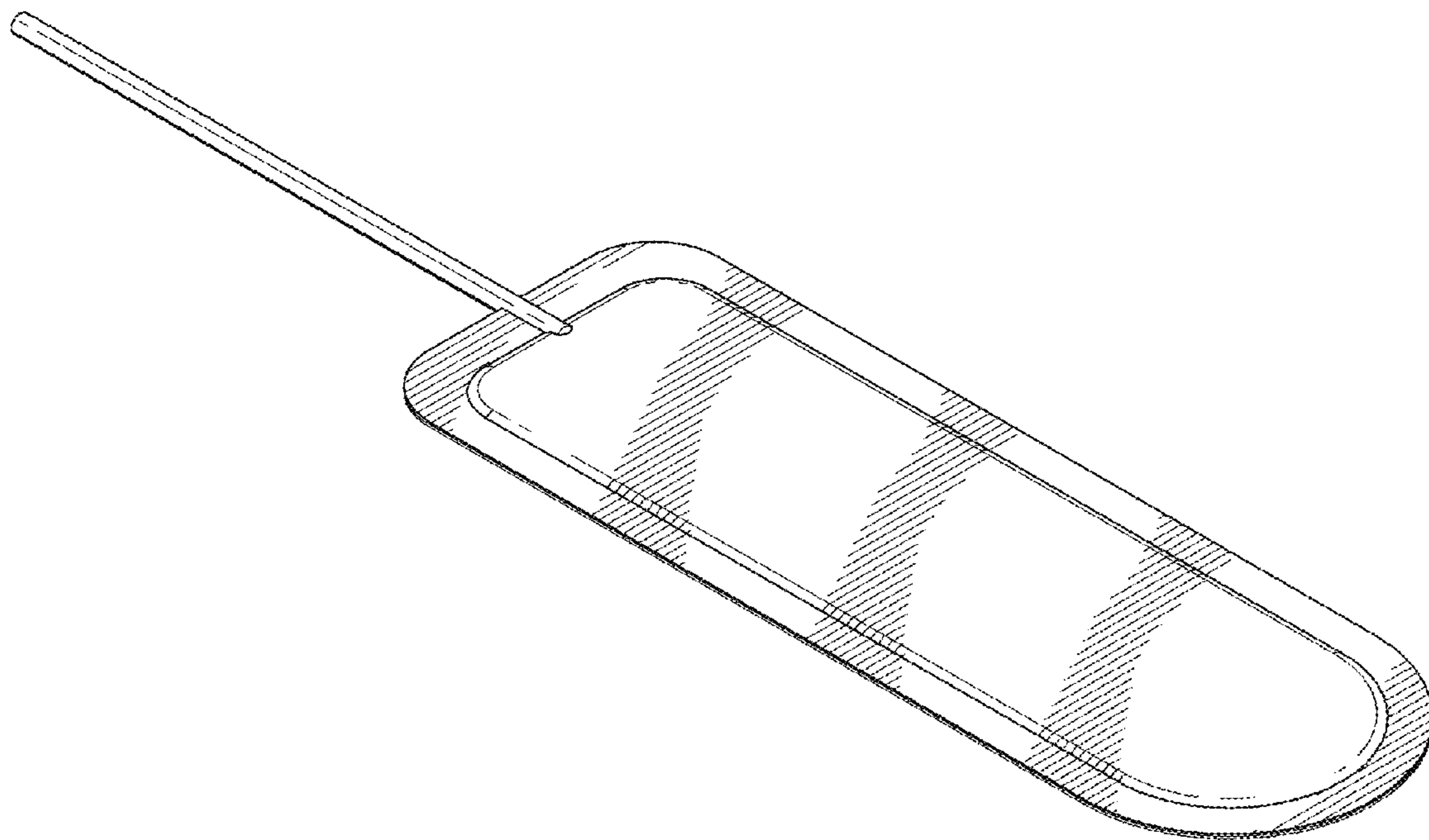
(74) *Attorney, Agent, or Firm* — Kilpatrick Townsend & Stockton LLP

(57) **CLAIM**  
The ornamental design for the cell encapsulation device, as shown.

**DESCRIPTION**

FIG. 1 is a perspective view of the cell encapsulation device; FIG. 2 is a top plan view thereof; FIG. 3 is a bottom plan view thereof; FIG. 4 is a left side elevation view thereof; FIG. 5 is a right side elevation view thereof; FIG. 6 is a rear elevation view thereof; and, FIG. 7 is a front elevation view thereof.

**1 Claim, 3 Drawing Sheets**



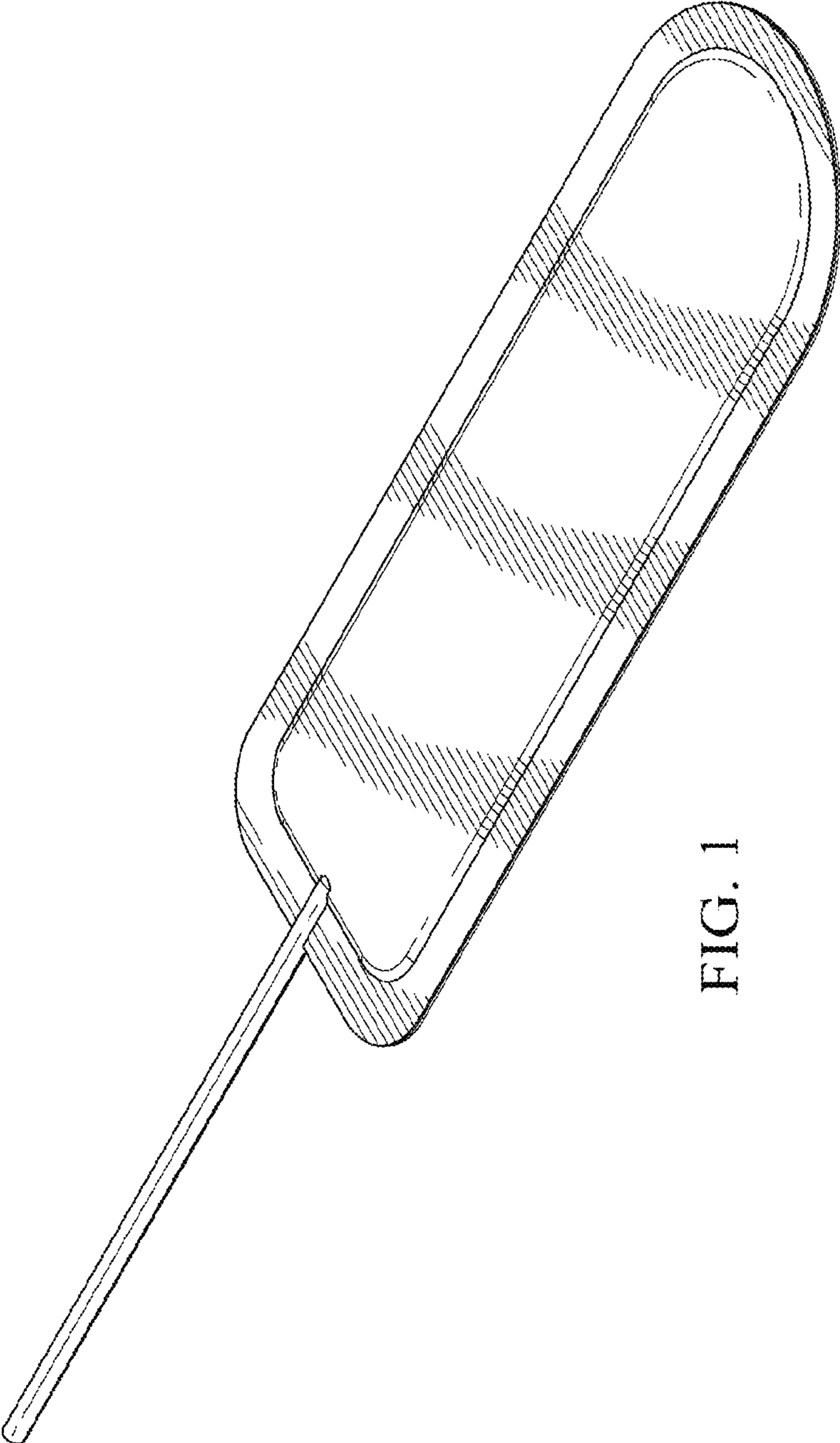


FIG. 1

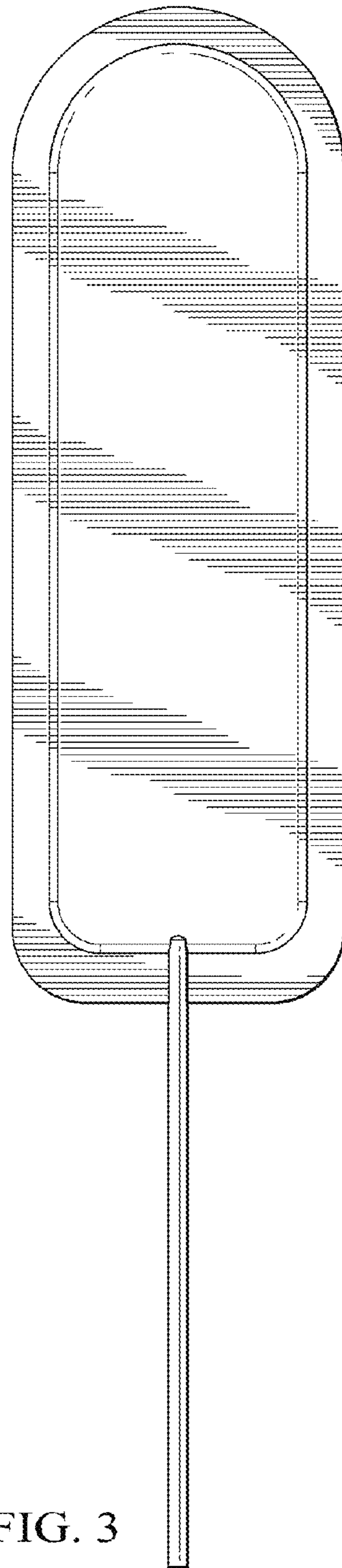
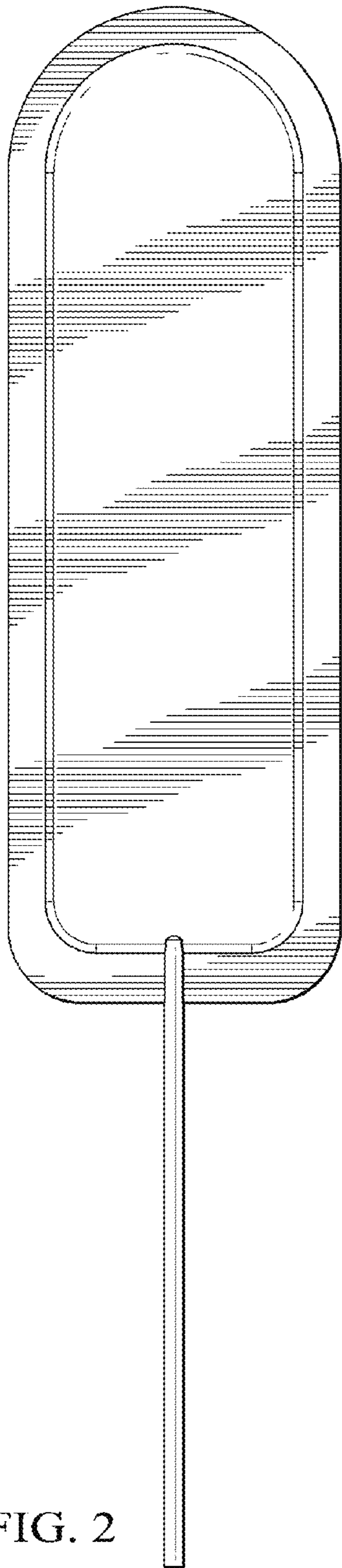




FIG. 4

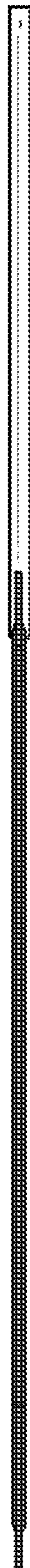


FIG. 5

FIG. 6



FIG. 7



UNITED STATES PATENT AND TRADEMARK OFFICE  
**CERTIFICATE OF CORRECTION**

PATENT NO. : D726,306 S  
APPLICATION NO. : 29/408366  
DATED : April 7, 2015  
INVENTOR(S) : Chad Green

Page 1 of 5

It is certified that error appears in the above-identified patent and that said Letters Patent is hereby corrected as shown below:

Title page:

Delete Title page with illustrative figure, and replace with new title page with illustrative figure.  
(attached)

In the Drawings:

Delete Drawing Sheets 1-3, and replace with new Drawing Sheets 1-3. (attached)

Signed and Sealed this  
Twenty-eighth Day of June, 2016



Michelle K. Lee  
*Director of the United States Patent and Trademark Office*

(12) **United States Design Patent**  
**Green**

(10) **Patent No.:** **US D726,306 S**  
(45) **Date of Patent:** **\*\* Apr. 7, 2015**

(54) **CELL ENCAPSULATION DEVICE**

(75) **Inventor:** **Chad Green, San Diego, CA (US)**

(73) **Assignee:** **Vlaccyte, Inc., San Diego, CA (US)**

(\*\*) **Term:** **14 Years**

(21) **Appl. No.:** **29/408,366**

(22) **Filed:** **Dec. 12, 2011**

(51) **LOC (10) Cl.** ..... **24-02**

(52) **U.S. Cl.**  
**USPC** ..... **D24/118**

(58) **Field of Classification Search**  
**USPC** ..... **D24/118, 127, 108, 128, 111, 189;**  
**604/317, 327, 408, 403, 108, 339, 92,**  
**604/415, 410, 332, 333, 322, 323;**  
**128/DIG. 24; 383/22, 23, 35; D9/707,**  
**D9/709, 696; 206/219; D18/56; 623/23.72,**  
**623/1.41, 13.17; 435/325**

See application file for complete search history.

(56) **References Cited**

**U.S. PATENT DOCUMENTS**

2,836,329 A \* 5/1958 Chenette ..... 604/207  
4,852,742 A \* 8/1989 Sciozzo ..... 206/568  
5,314,471 A 5/1994 Brauker et al.  
D350,690 S \* 9/1994 Herro ..... D9/696  
D362,913 S \* 10/1995 Eisenberg et al. .... D24/190

D367,705 S \* 3/1996 Williams ..... D24/132  
D369,607 S \* 5/1996 MacGilvary et al. .... D14/250  
5,545,223 A 8/1996 Neuenfeldt et al.  
5,593,440 A 1/1997 Brauker et al.  
5,713,888 A 2/1998 Neuenfeldt et al.  
5,733,336 A 3/1998 Neuenfeldt et al.  
5,759,180 A \* 6/1998 Myhres ..... 604/332  
5,902,745 A \* 5/1999 Butler et al. .... 435/297.2  
5,964,261 A 10/1999 Neuenfeldt et al.  
6,060,640 A 5/2000 Pauley et al.  
D548,609 S \* 8/2007 Considine et al. .... D9/611

\* cited by examiner

*Primary Examiner* — David Muller

(74) *Attorney, Agent, or Firm* — Kilpatrick Townsend & Stockton LLP

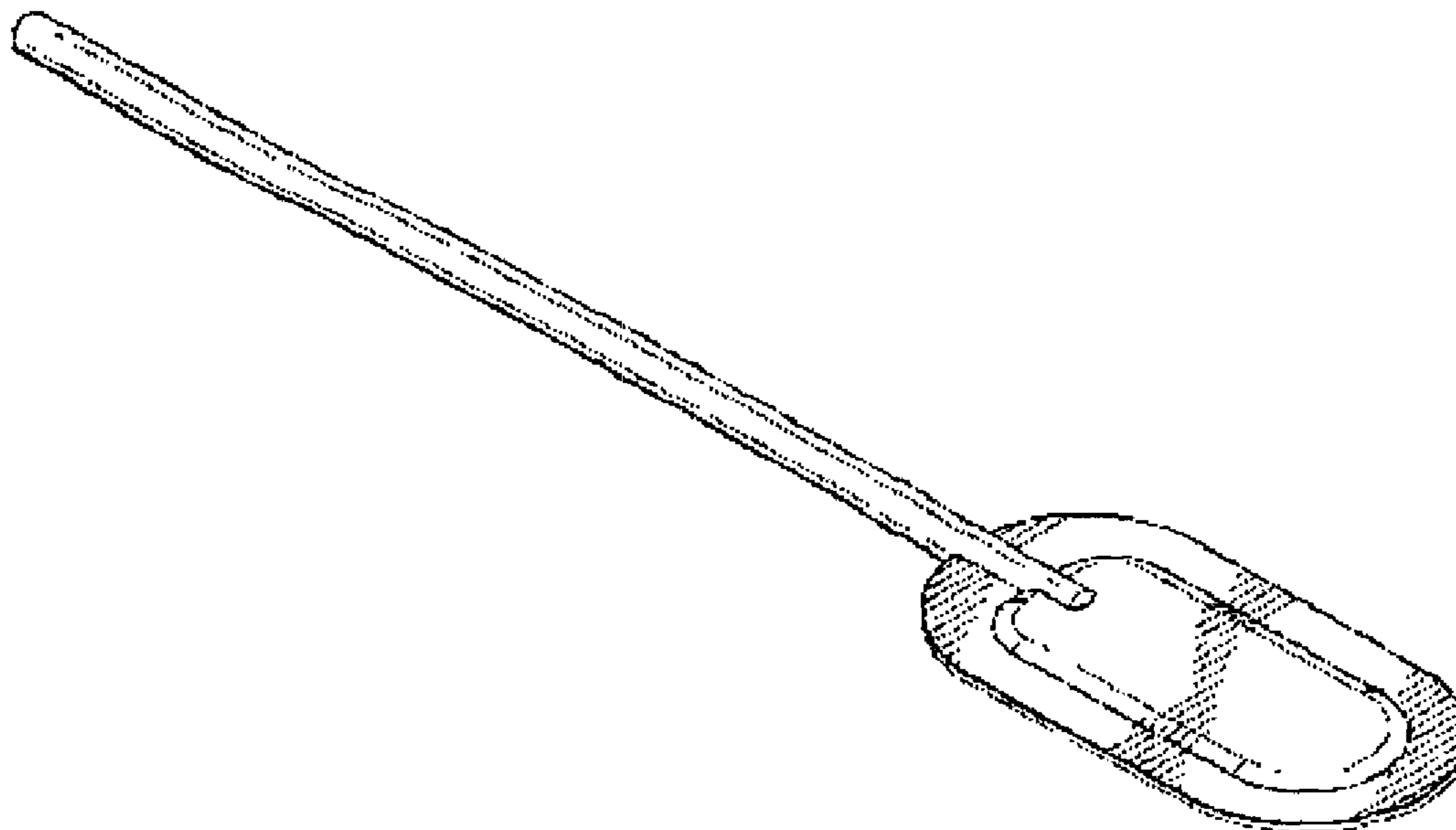
(57) **CLAIM**

The ornamental design for the cell encapsulation device, as shown.

**DESCRIPTION**

FIG. 1 is a perspective view of the cell encapsulation device; FIG. 2 is a top plan view thereof; FIG. 3 is a bottom plan view thereof; FIG. 4 is a left side elevation view thereof; FIG. 5 is a right side elevation view thereof; FIG. 6 is a rear elevation view thereof; and, FIG. 7 is a front elevation view thereof.

**1 Claim, 3 Drawing Sheets**



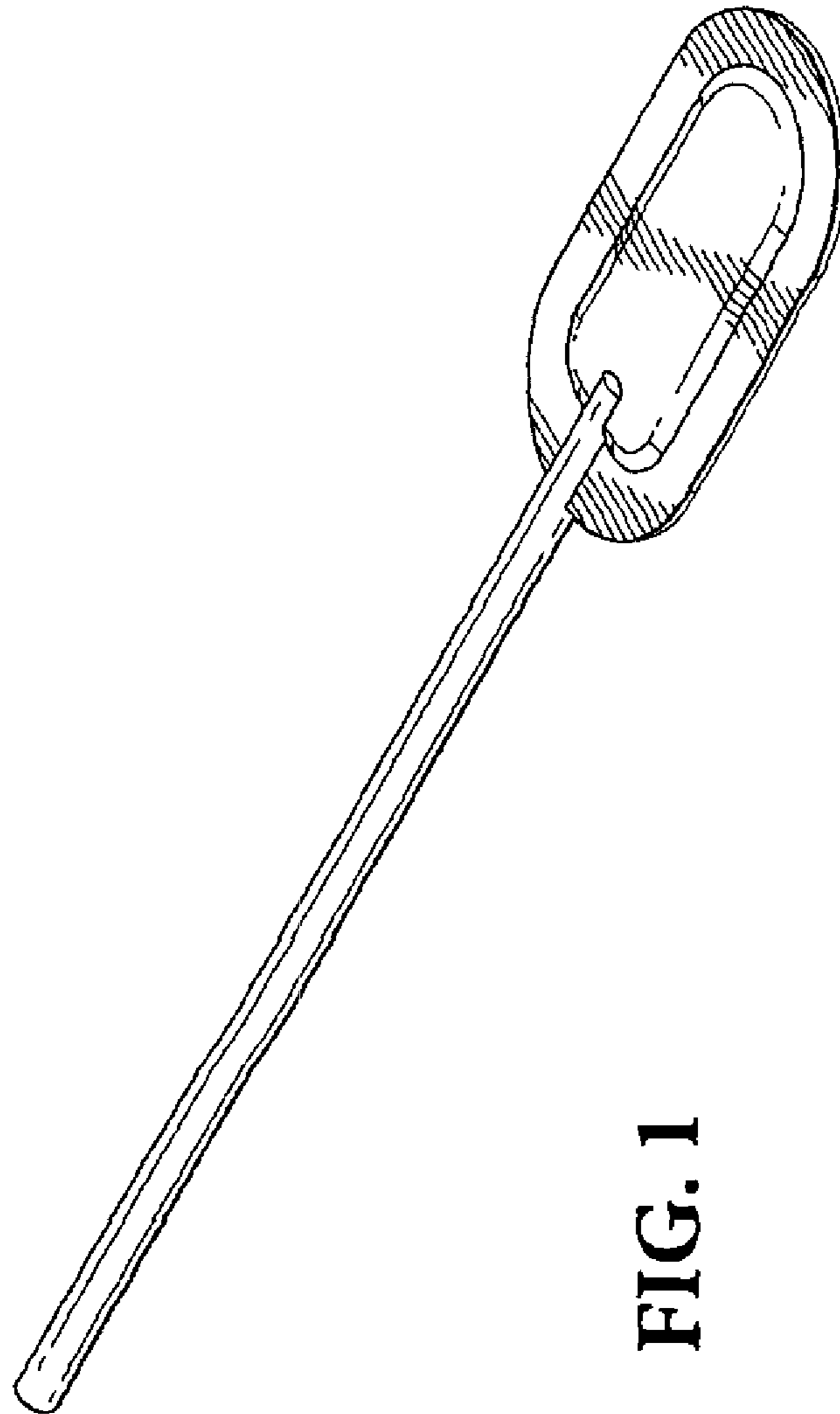
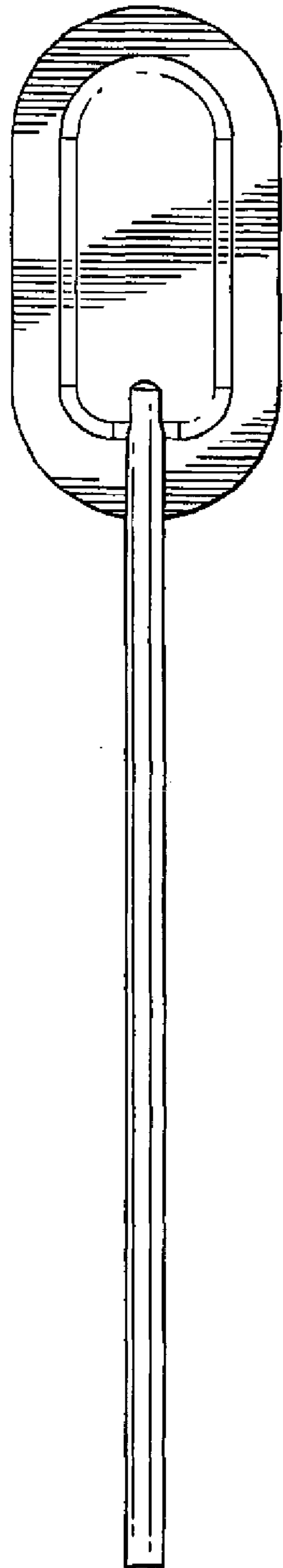
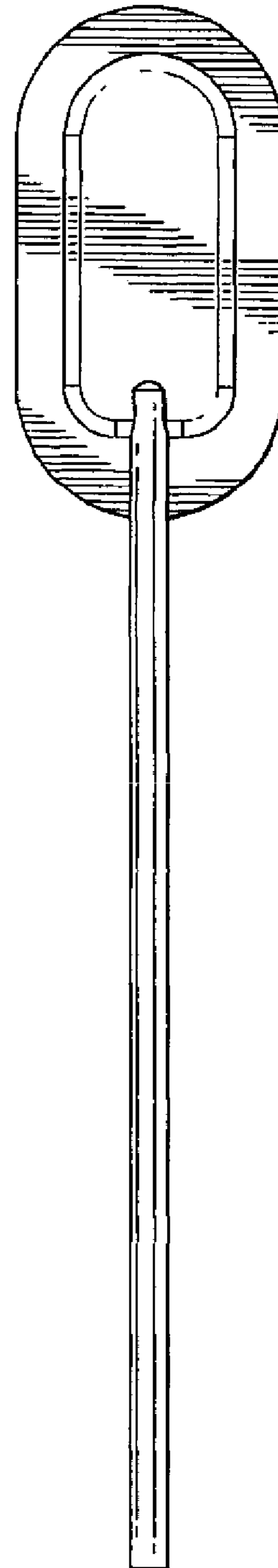


FIG. 1

**FIG. 2**



**FIG. 3**





**FIG. 4**



**FIG. 5**



**FIG. 6**



**FIG. 7**