



US00D726305S

(12) **United States Design Patent**
Furukawa

(10) **Patent No.:** **US D726,305 S**
(45) **Date of Patent:** **** Apr. 7, 2015**

(54) **SYRINGE**

(71) Applicant: **Terumo Kabushiki Kaisha**, Tokyo (JP)

(72) Inventor: **Kouichiro Furukawa**, Shizuoka (JP)

(73) Assignee: **Terumo Kabushiki Kaisha**, Tokyo (JP)

(**) Term: **14 Years**

(21) Appl. No.: **29/445,122**

(22) Filed: **Feb. 7, 2013**

(30) **Foreign Application Priority Data**

Sep. 19, 2012 (JP) 2012-022620

(51) **LOC (10) Cl.** **24-02**

(52) **U.S. Cl.**
USPC **D24/114**

(58) **Field of Classification Search**
USPC D24/112-114, 108, 133, 130, 127, 186;
606/181, 185; 604/264, 272, 187, 181,
604/184, 227; D7/368, 669; 99/345, 346,
99/347, 532, 359, 533, 494, 535
See application file for complete search history.

(56) **References Cited**

U.S. PATENT DOCUMENTS

3,253,592	A *	5/1966	Von Pechmann	604/222
3,662,754	A *	5/1972	Halloran	604/162
4,299,238	A *	11/1981	Baidwan et al.	600/576
4,985,020	A *	1/1991	Kasuya	604/192
5,115,816	A *	5/1992	Lee	600/562
5,290,228	A *	3/1994	Uemura et al.	604/90
D383,205	S *	9/1997	Pagay et al.	D24/112
6,010,481	A *	1/2000	Lee	604/110
6,027,481	A *	2/2000	Barrelle et al.	604/187
D447,797	S *	9/2001	Odell et al.	D24/112
D461,243	S *	8/2002	Niedospial, Jr.	D24/130
6,436,075	B1 *	8/2002	Liao	604/181
6,595,961	B2 *	7/2003	Hetzler et al.	604/181
6,767,494	B1 *	7/2004	Robinson	264/318
7,418,880	B1 *	9/2008	Smith	73/864.01

D578,210	S *	10/2008	Muta et al.	D24/114
D584,407	S *	1/2009	Kawamura	D24/130
D608,000	S *	1/2010	Kawamura	D24/130
7,704,426	B2 *	4/2010	Earhart et al.	264/230
D635,249	S *	3/2011	Becker	D24/114
8,002,754	B2	8/2011	Kawamura et al.		
8,075,535	B2	12/2011	Carrel et al.		
8,286,791	B2	10/2012	Finke		
8,512,279	B2 *	8/2013	Klein	604/93.01
2002/0147429	A1 *	10/2002	Cowan et al.	604/187
2009/0247961	A1 *	10/2009	Carlyon	604/237

FOREIGN PATENT DOCUMENTS

JP 2001-218842 8/2001

OTHER PUBLICATIONS

Shanghai Hengxin Medical Device Co., Ltd., [online], [site visted Aug. 18, 2014]. Available from Internet, <URL: <http://hengxinmedical.en.made-in-china.com/product/gXPmLHCUHYhB/China-Syringe-Medical-Supply.html>>.*

* cited by examiner

Primary Examiner — David Muller

Assistant Examiner — Nathan Johnston

(74) *Attorney, Agent, or Firm* — Rabin & Berdo, P.C.

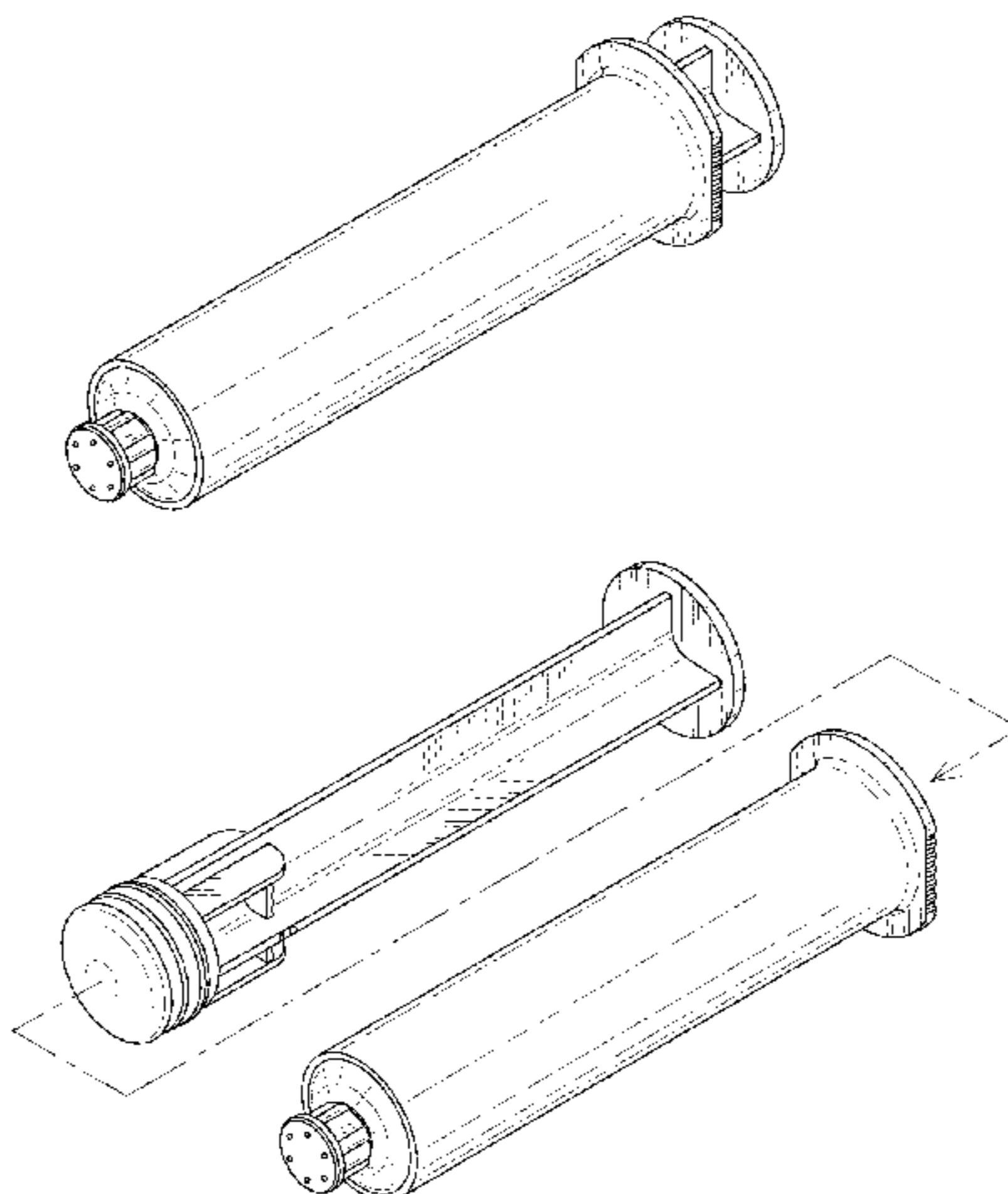
(57) **CLAIM**

The ornamental design for a syringe, as shown and described.

DESCRIPTION

FIG. 1 is a perspective view of a syringe showing my new design;
FIG. 2 is a front view thereof;
FIG. 3 is a top plan view thereof;
FIG. 4 is a right side view thereof;
FIG. 5 is a left side view thereof;
FIG. 6 is an enlarged cross-sectional view, taken along a line 6-6 of FIG. 5 thereof; and,
FIG. 7 is a perspective view of the syringe with the plunger shown separately and exploded for clarity.

1 Claim, 2 Drawing Sheets



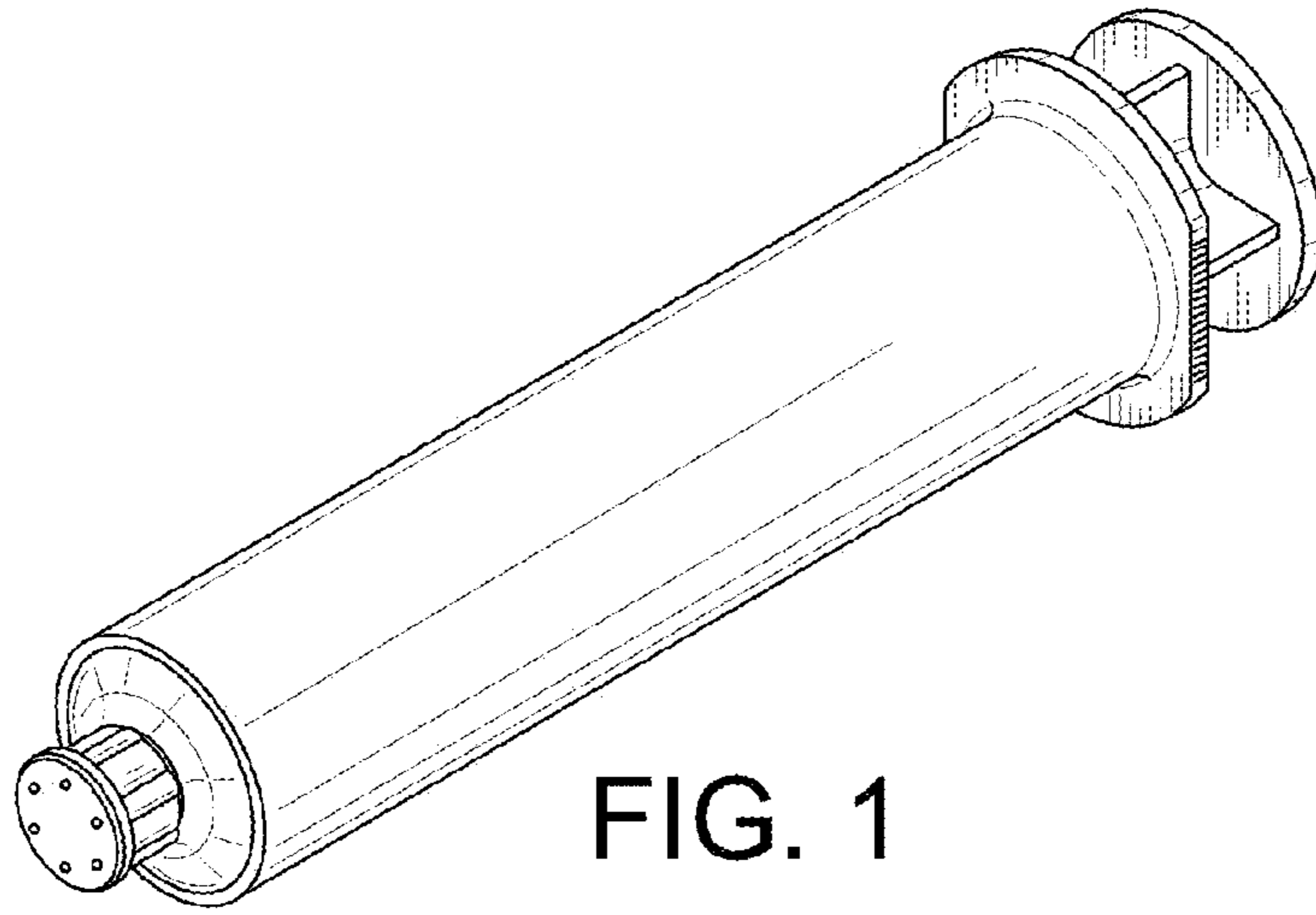


FIG. 1

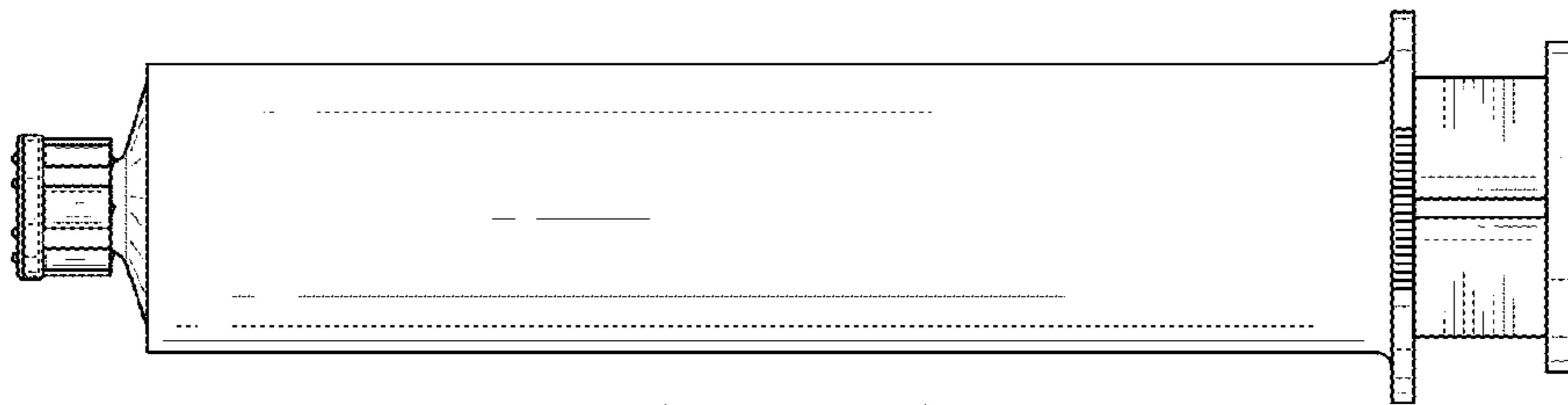


FIG. 2

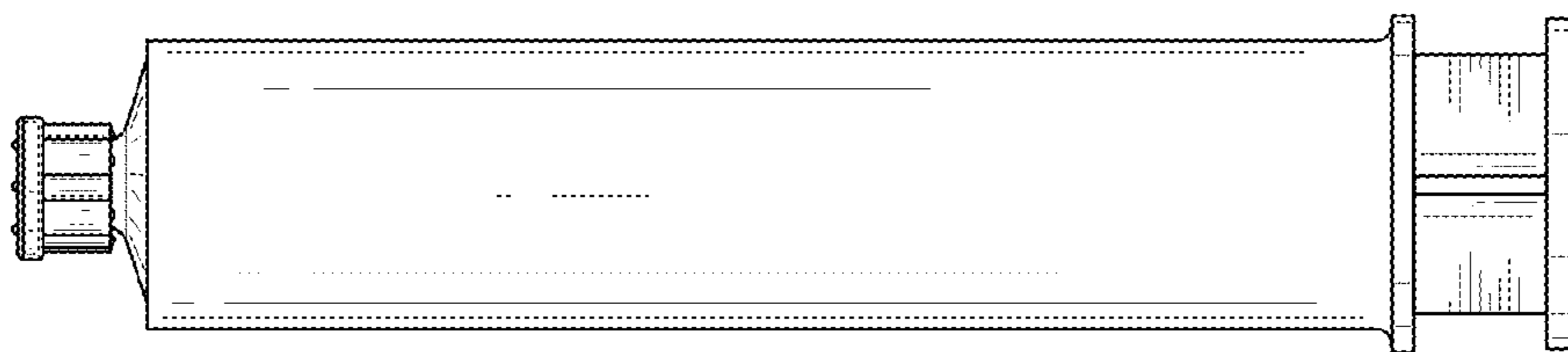


FIG. 3

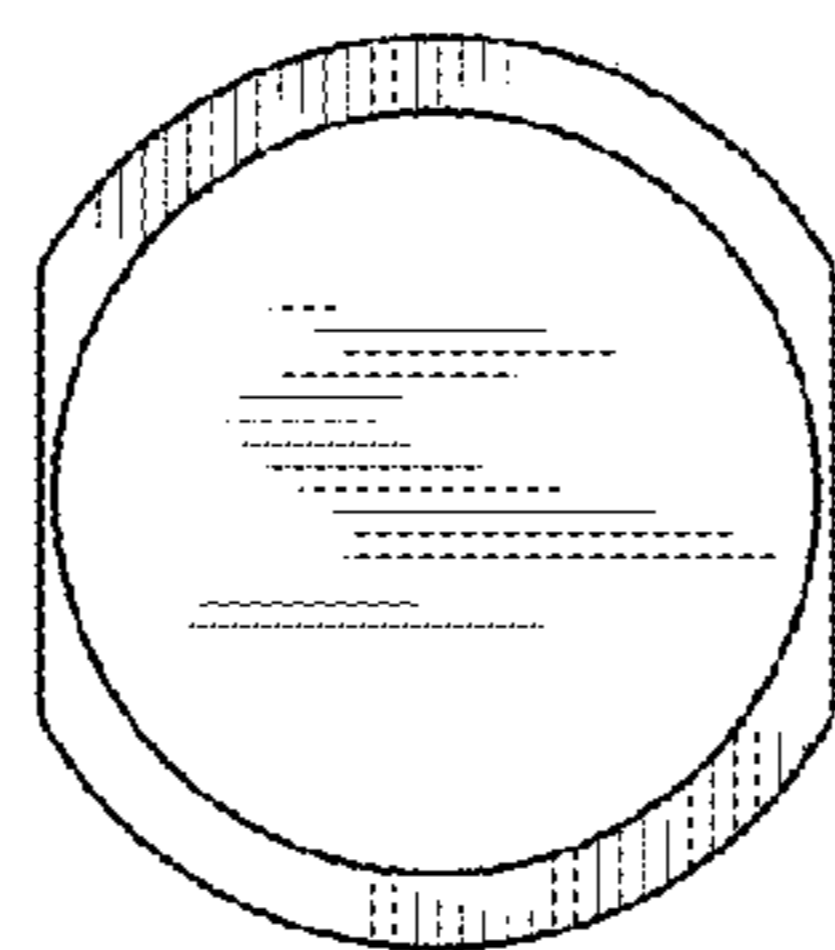


FIG. 4

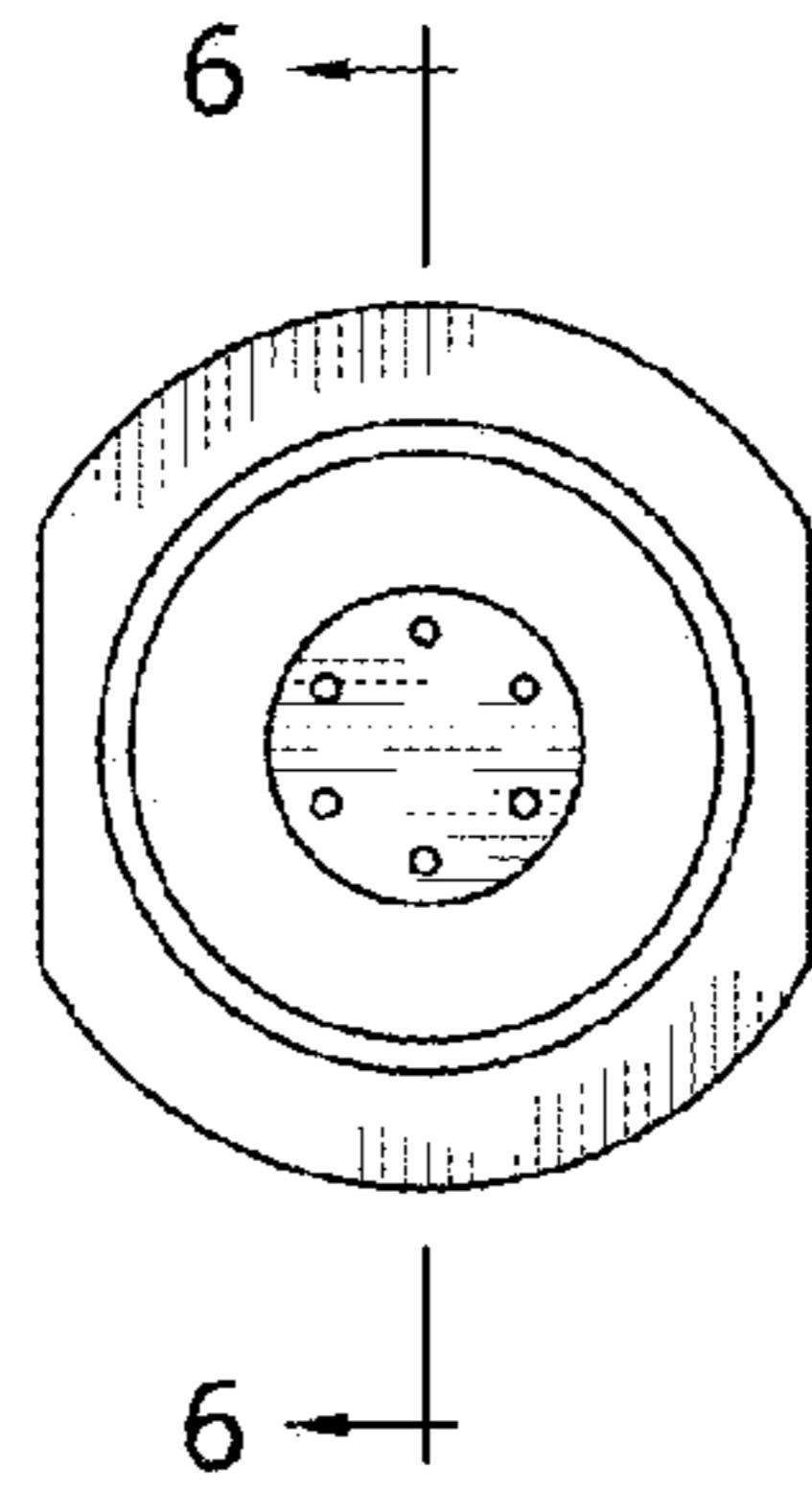


FIG. 5

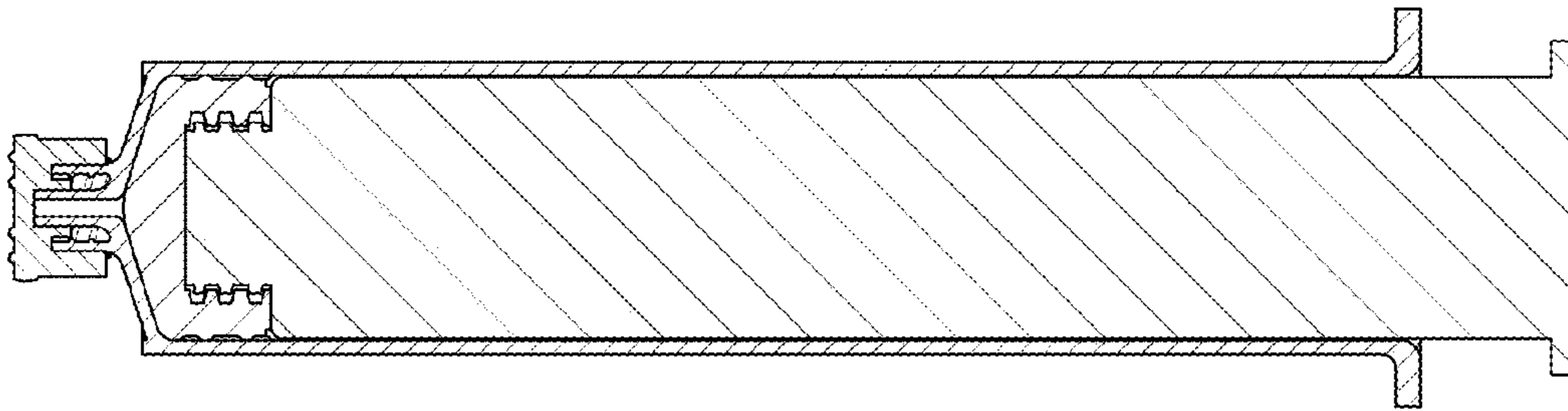


FIG. 6

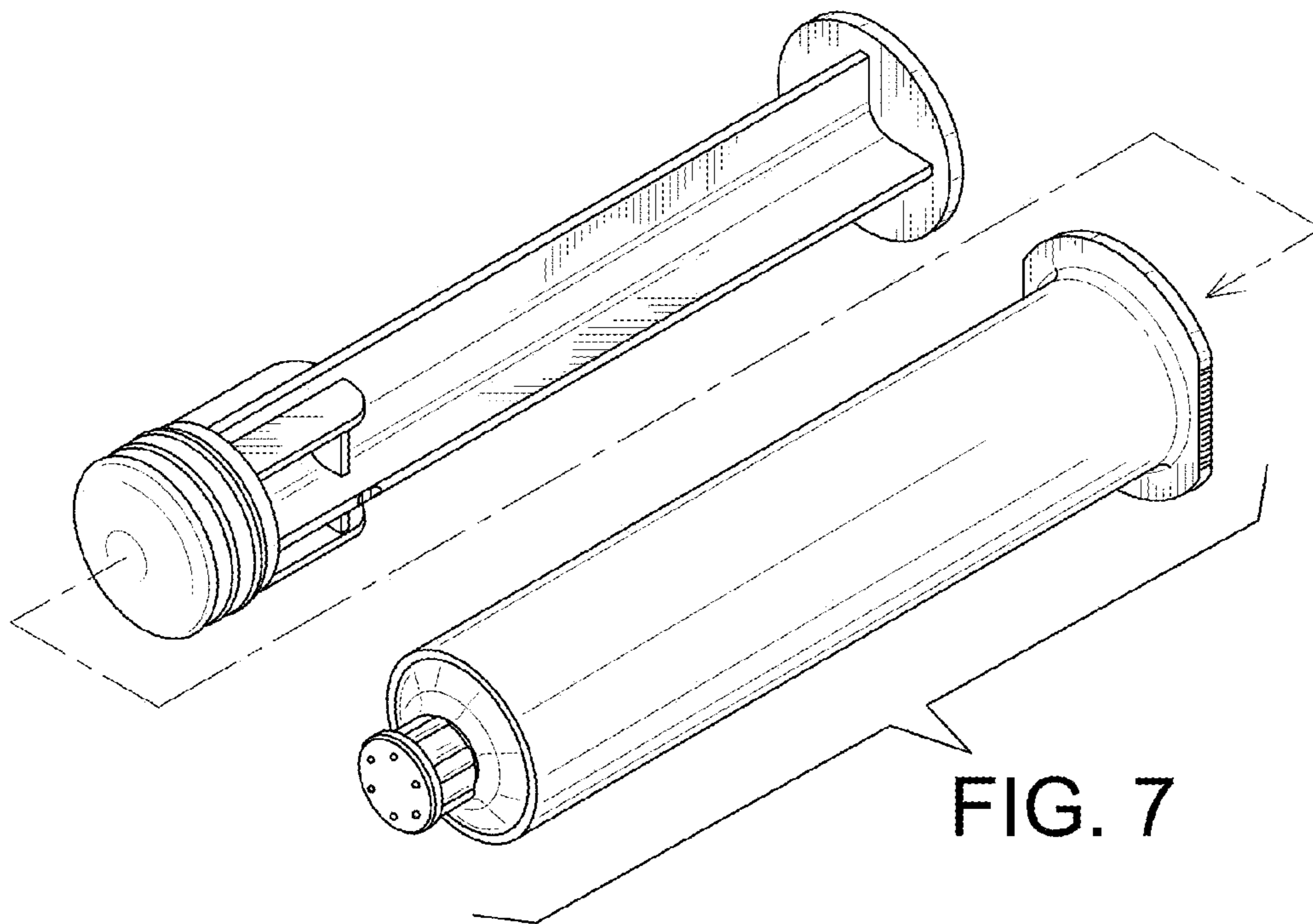


FIG. 7