



US00D726304S

(12) **United States Design Patent**
Yatabe et al.

(10) **Patent No.:** **US D726,304 S**
(45) **Date of Patent:** **** Apr. 7, 2015**

(54) **MEDICAMENT SPRAYER**

(75) Inventors: **Teruyuki Yatabe**, Kanagawa (JP);
Kenichi Shimura, Tokyo (JP)

(73) Assignee: **Terumo Kabushiki Kaisha**, Tokyo (JP)

(**) Term: **14 Years**

(21) Appl. No.: **29/431,810**

(22) Filed: **Sep. 11, 2012**

(30) **Foreign Application Priority Data**

Mar. 22, 2012 (JP) 2012-006495
Mar. 22, 2012 (JP) 2012-006496
Mar. 22, 2012 (JP) 2012-006497
Mar. 22, 2012 (JP) 2012-006498

(51) **LOC (10) Cl.** **24-02**

(52) **U.S. Cl.**
USPC **D24/112**

(58) **Field of Classification Search**
USPC 600/135, 114, 500, 515, 104, 154, 435,
600/35; 128/200.14, 200.18, 200.19,
128/200.21, 200.22, 200.23; D24/107, 108,
D24/112, 118, 127, 128, 129, 133, 231;
604/27, 19, 30, 38, 97.02, 187, 191,
604/24, 82, 290; 239/398

See application file for complete search history.

(56) **References Cited**

U.S. PATENT DOCUMENTS

6,113,571 A * 9/2000 Zinger et al. 604/82
6,884,232 B1 * 4/2005 Haggmann et al. 604/82
D597,667 S * 8/2009 Racz et al. D24/130
D654,583 S * 2/2012 Lee-Sepsick D24/112
8,485,818 B2 * 7/2013 Boutoussov et al. 433/26
8,490,853 B2 * 7/2013 Criscuolo et al. 227/179.1
8,523,806 B2 * 9/2013 Hayakawa 604/82
D708,737 S * 7/2014 Sherman et al. D24/112
D710,495 S * 8/2014 Wu et al. D24/112

8,876,021 B2 * 11/2014 Fortier et al. 239/399
2006/0189944 A1 * 8/2006 Campbell et al. 604/191
2008/0103452 A1 * 5/2008 Voegele et al. 604/187
2008/0294099 A1 * 11/2008 Yatabe et al. 604/82
2009/0039179 A1 * 2/2009 Kado et al. 239/225.1
2009/0076459 A1 * 3/2009 Goldberg 604/191
2009/0124986 A1 * 5/2009 Hayakawa 604/290
2010/0331766 A1 12/2010 Hayakawa
2011/0172703 A1 * 7/2011 Redl et al. 606/213
2011/0295212 A1 * 12/2011 Greter et al. 604/191
2012/0165727 A1 * 6/2012 Campbell et al. 604/24
2013/0325059 A1 * 12/2013 O'Neill 606/213
2013/0331658 A1 * 12/2013 Kai et al. 600/249
2013/0331770 A1 * 12/2013 Kirk et al. 604/24

FOREIGN PATENT DOCUMENTS

JP 2009-011805 A 1/2009

* cited by examiner

Primary Examiner — Sheryl Lane

Assistant Examiner — Ieisha Price

(74) *Attorney, Agent, or Firm* — Fitch Even Tabin & Flannery, LLP

(57) **CLAIM**

We claim the ornamental design for a medicament sprayer, as shown and described.

DESCRIPTION

FIG. 1 is a top perspective view of a medicament sprayer, showing our new design;

FIG. 2 is a bottom perspective view thereof;

FIG. 3 is a front elevational view thereof;

FIG. 4 is a rear elevational view thereof;

FIG. 5 is a top plan view thereof;

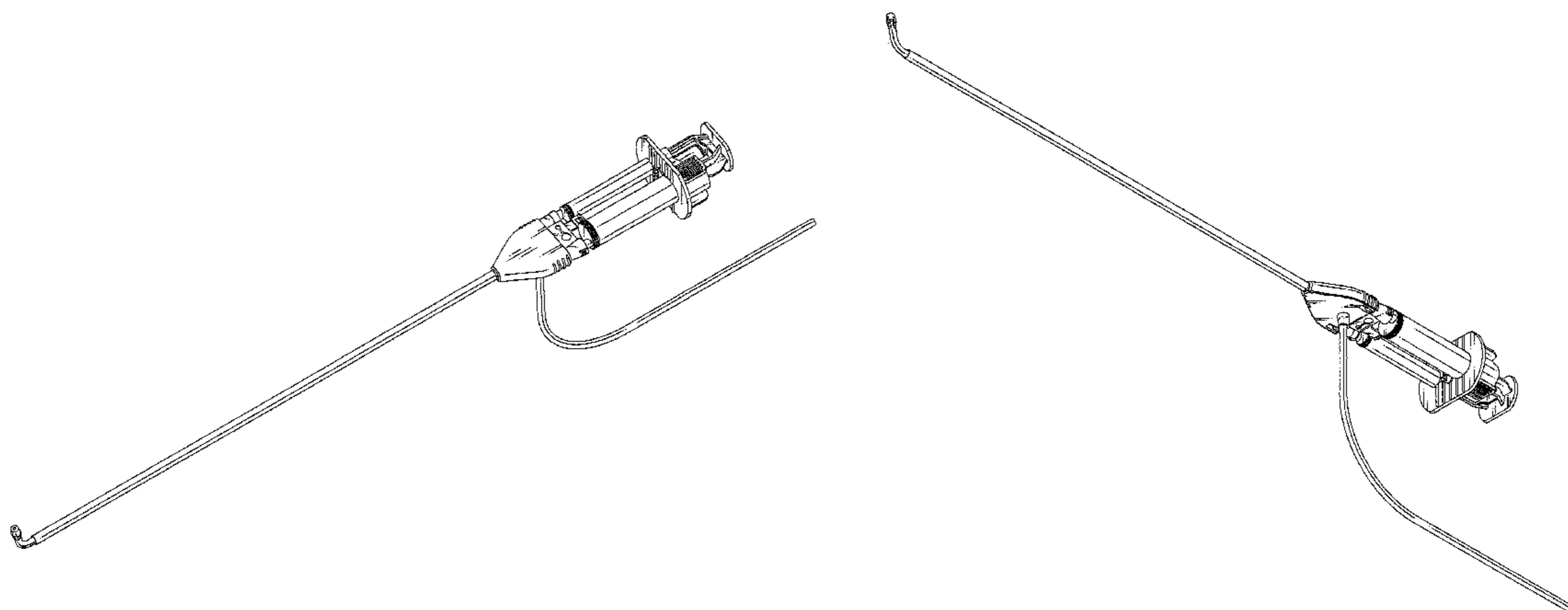
FIG. 6 is a bottom plan view thereof;

FIG. 7 is a right side elevational view thereof;

FIG. 8 is a left side elevational view thereof; and,

FIG. 9 is a front elevational view thereof with the sheath shifted from its position in FIG. 3.

1 Claim, 7 Drawing Sheets



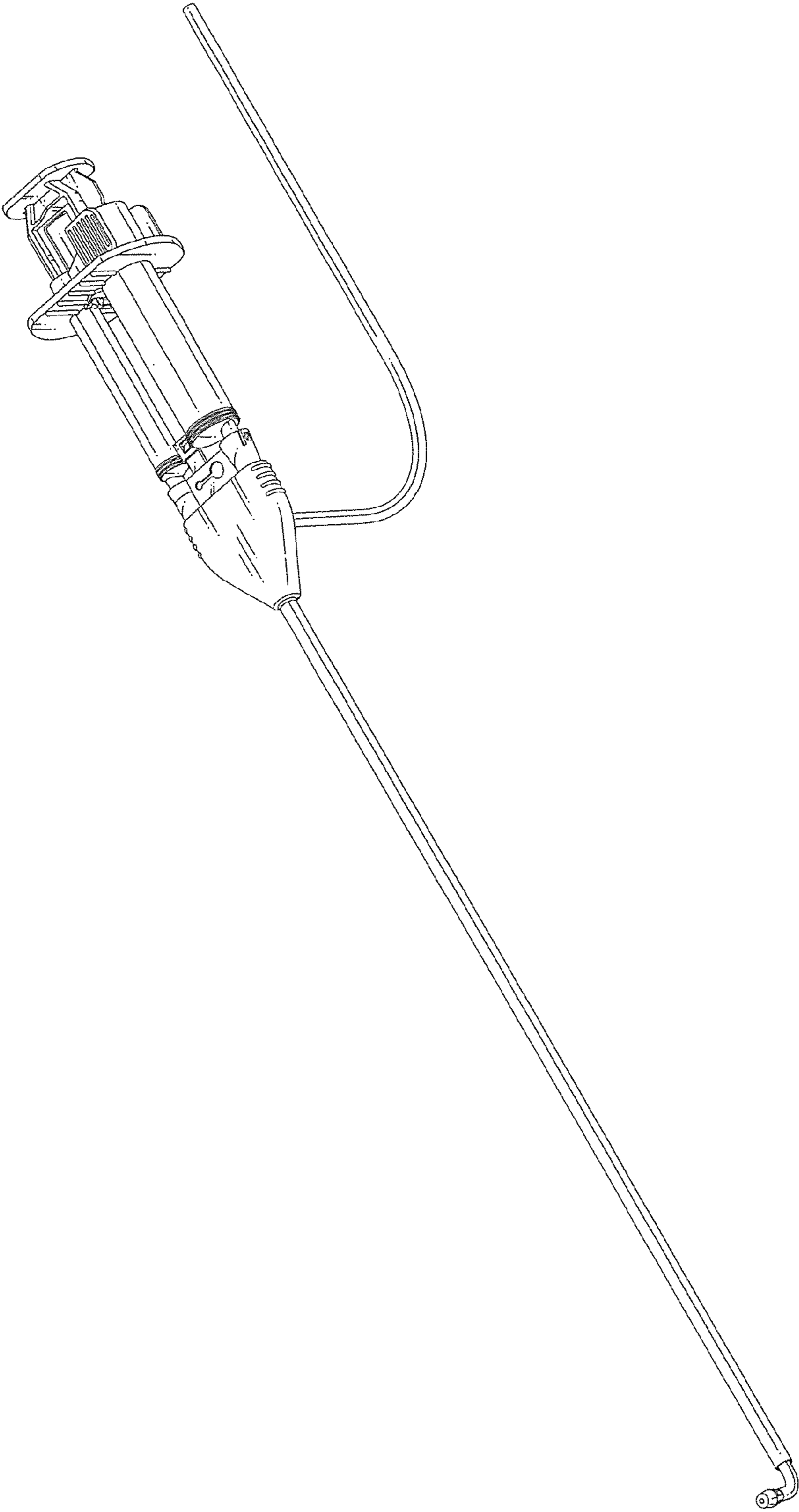


FIG. 1

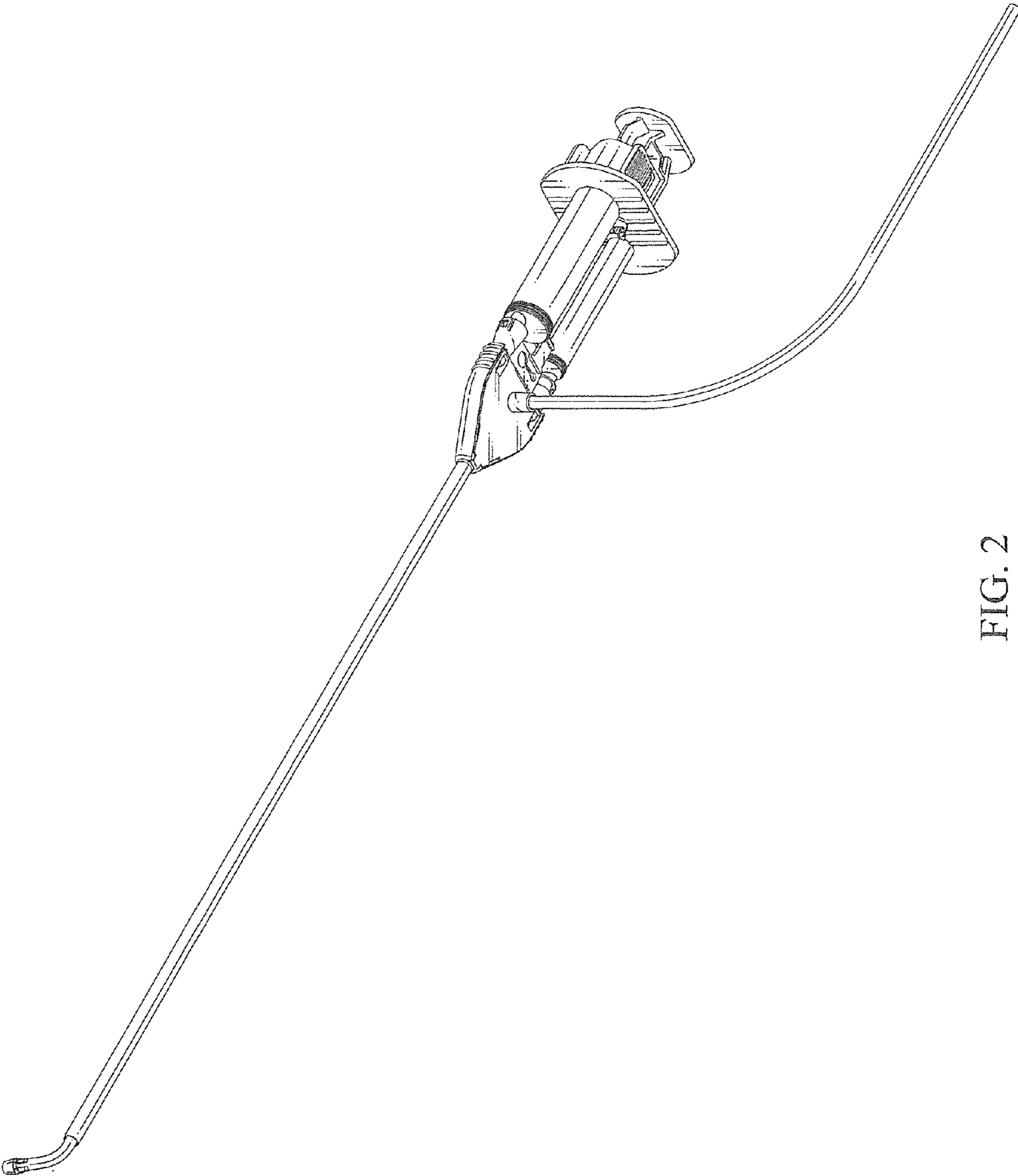


FIG. 2

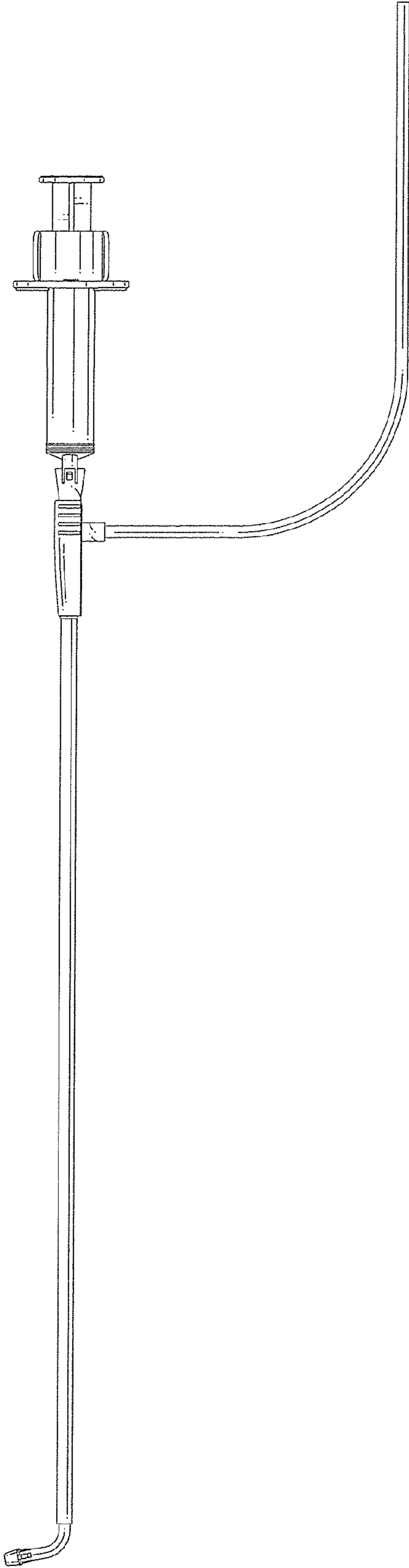


FIG. 3

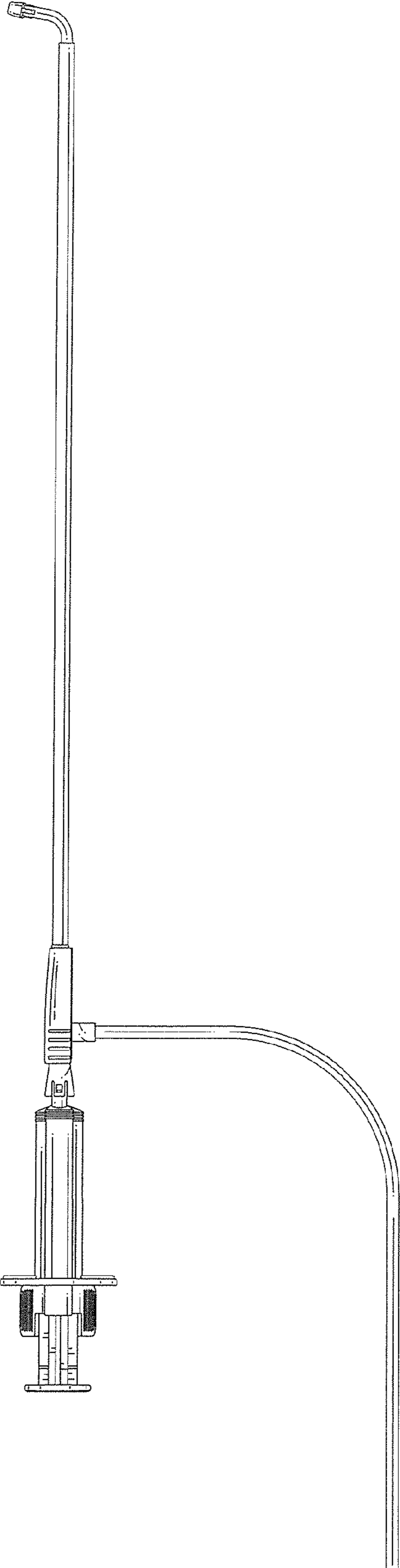


FIG. 4

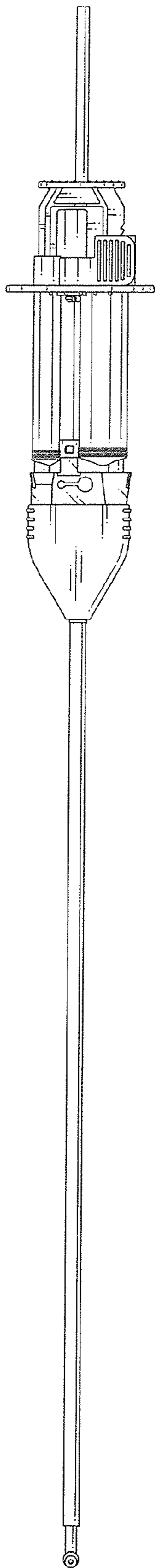


FIG. 5

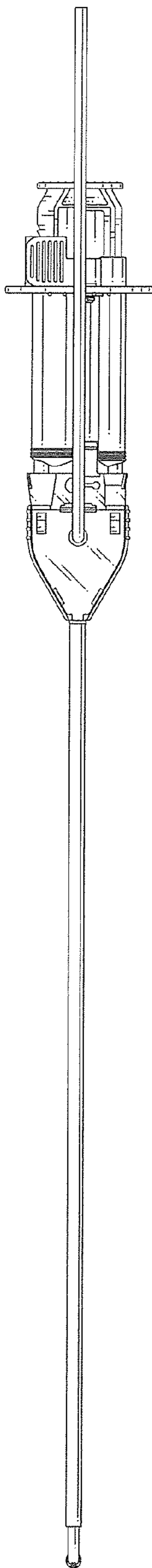


FIG. 6

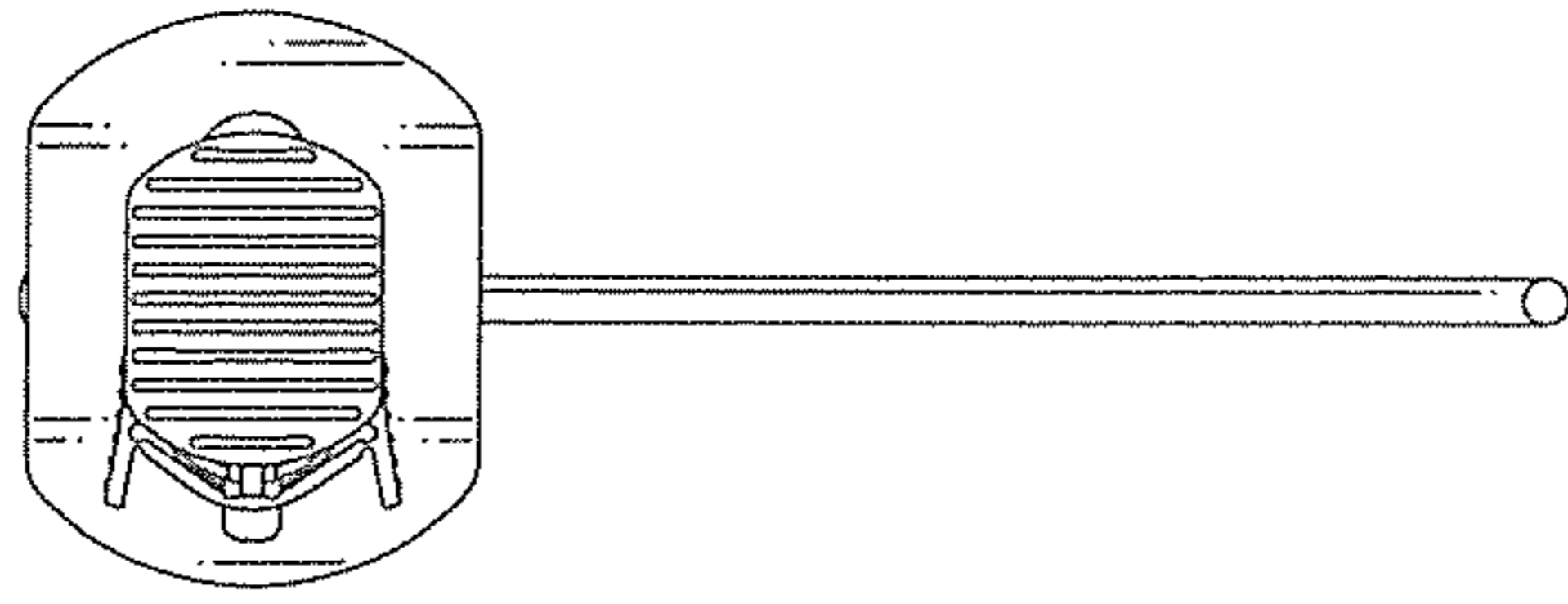


FIG. 7

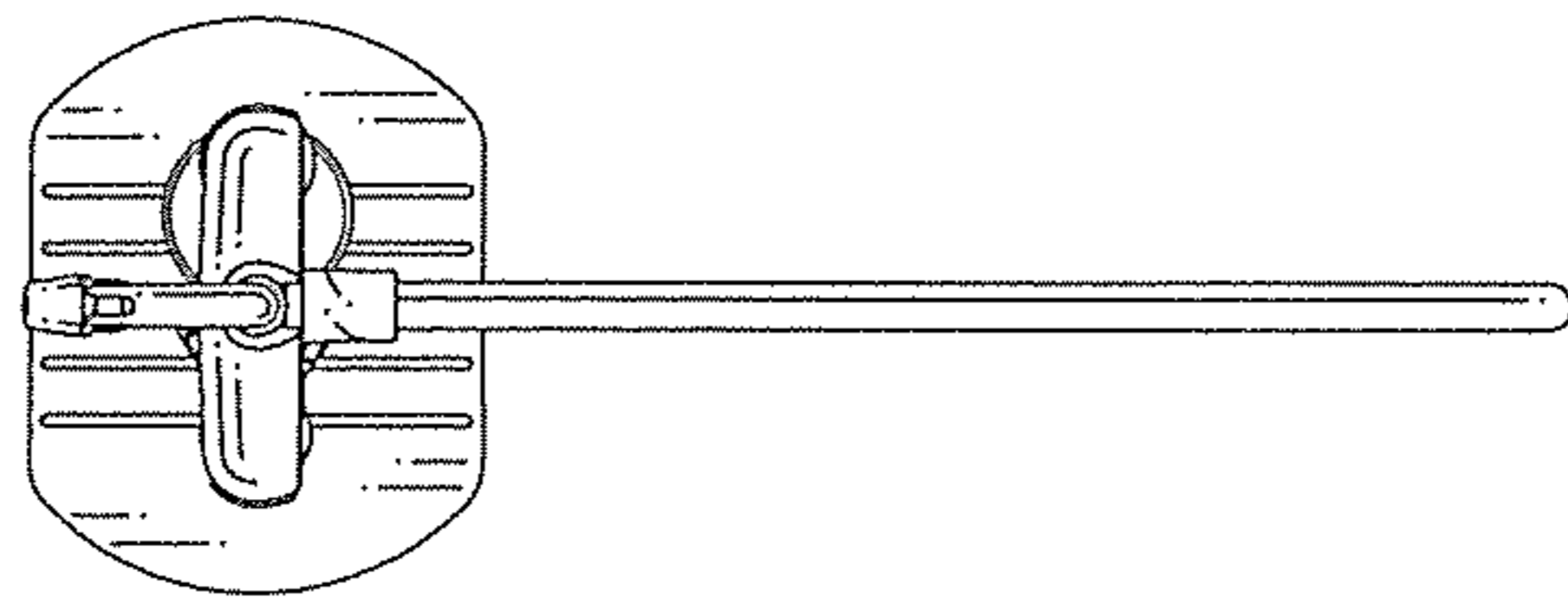


FIG. 8

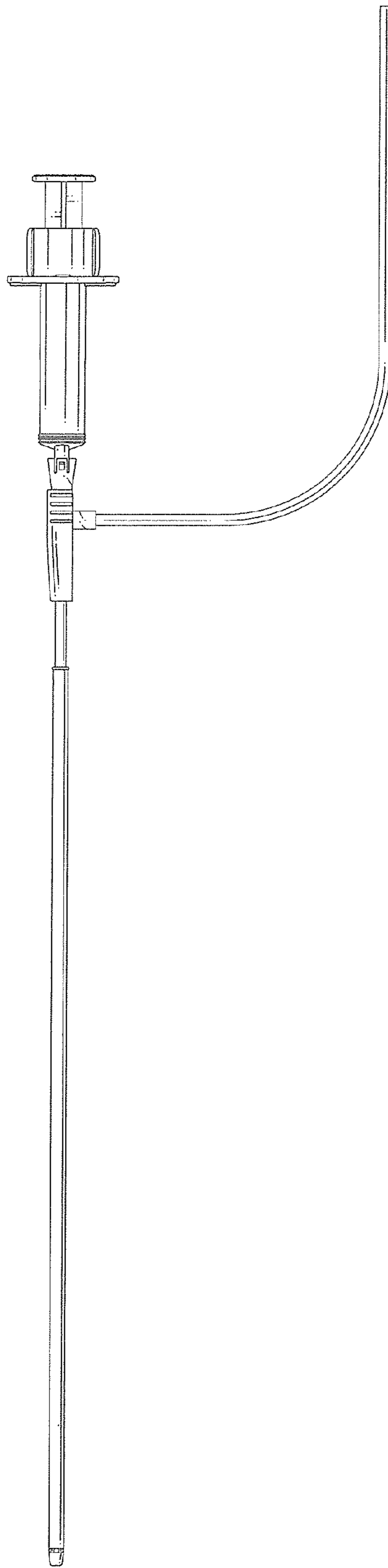


FIG. 9