



US00D726303S

(12) **United States Design Patent**
Rollins, III

(10) **Patent No.:** **US D726,303 S**

(45) **Date of Patent:** **** Apr. 7, 2015**

(54) **MULTIFUNCTION OXYGEN MASK**

(71) Applicant: **Rollins Medical Solutions, Inc.**, Las Vegas, NV (US)

(72) Inventor: **Offord L. Rollins, III**, Las Vegas, NV (US)

(73) Assignee: **Rollins Medical Solutions, Inc.**, Las Vegas, NV (US)

(**) Term: **14 Years**

(21) Appl. No.: **29/444,458**

(22) Filed: **Jan. 30, 2013**

(51) **LOC (10) Cl.** **29-02**

(52) **U.S. Cl.**
USPC **D24/110.1; D24/110.4**

(58) **Field of Classification Search**
CPC A61M 16/06; A61M 2202/0208;
A62B 18/02; A62B 18/025; A62B 18/00
USPC D24/110.1–110.6; 128/201.21, 201.23,
128/205.25, 206.21, 206.27, 206.28,
128/207.11, 207.13
See application file for complete search history.

(56) **References Cited**

U.S. PATENT DOCUMENTS

D225,582 S *	12/1972	King	D24/110.4
D226,140 S *	1/1973	King	D24/110.4
D234,376 S *	2/1975	Goettelman	D24/110
3,977,432 A *	8/1976	Vidal	137/889
4,201,205 A *	5/1980	Bartholomew	128/205.25
4,328,797 A *	5/1982	Rollins et al.	128/202.27
D323,908 S *	2/1992	Hollister et al.	D24/110.4

D351,226 S *	10/1994	Parvatharaj	D24/110
D428,987 S *	8/2000	Kwok	D24/110.1
D435,650 S *	12/2000	Kwok	D24/110.1
D689,603 S *	9/2013	Stockmann	D24/110.1
D695,888 S *	12/2013	Darab	D24/110.4
D703,808 S *	4/2014	Bowsher	D24/110.4
D720,846 S *	1/2015	Bowsher	D24/110.4
2002/0189616 A1 *	12/2002	Wolf	128/205.25
2008/0230072 A1 *	9/2008	Rollins et al.	128/207.15
2009/0020126 A1 *	1/2009	Lau	128/207.11
2014/0096774 A1 *	4/2014	Olsen et al.	128/205.25
2014/0196726 A1 *	7/2014	Mallek	128/861
2014/0243600 A1 *	8/2014	Eisenberger	600/114
2014/0251332 A1 *	9/2014	Martin	128/203.29

* cited by examiner

Primary Examiner — Deanna L Pratt

Assistant Examiner — Lilyana Bekic

(74) *Attorney, Agent, or Firm* — Todd J. Langford; Eric A. Hanscom

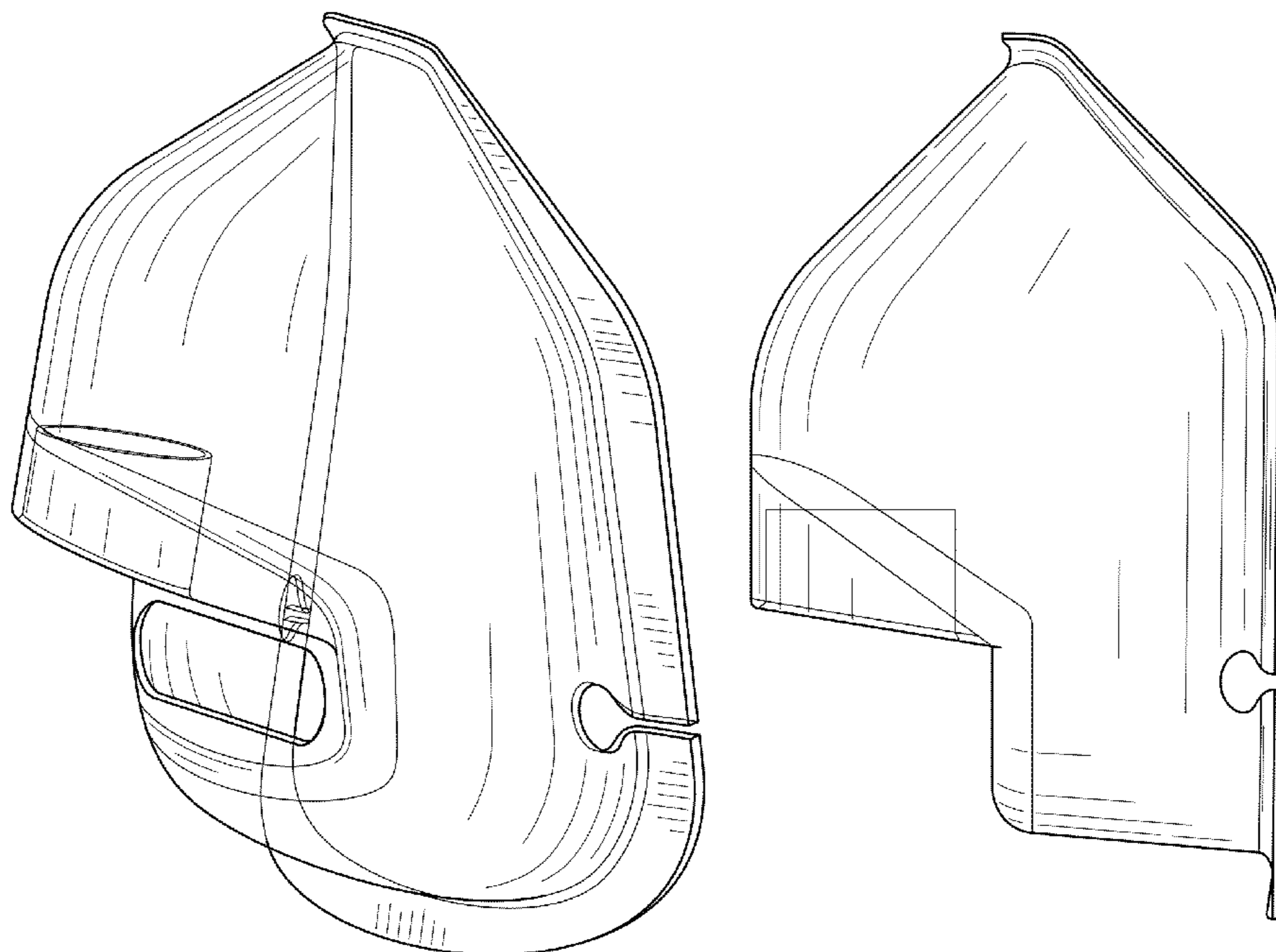
(57) **CLAIM**

The ornamental design for a multifunction oxygen mask, as shown and described.

DESCRIPTION

FIG. 1 is a perspective view of the multifunction oxygen mask;
FIG. 2 is a front view;
FIG. 3 is a back view;
FIG. 4 is a left side view;
FIG. 5 is a right side view;
FIG. 6 is a top view;
FIG. 7 is a bottom view; and,
FIG. 8 is a back perspective view thereof.

1 Claim, 5 Drawing Sheets



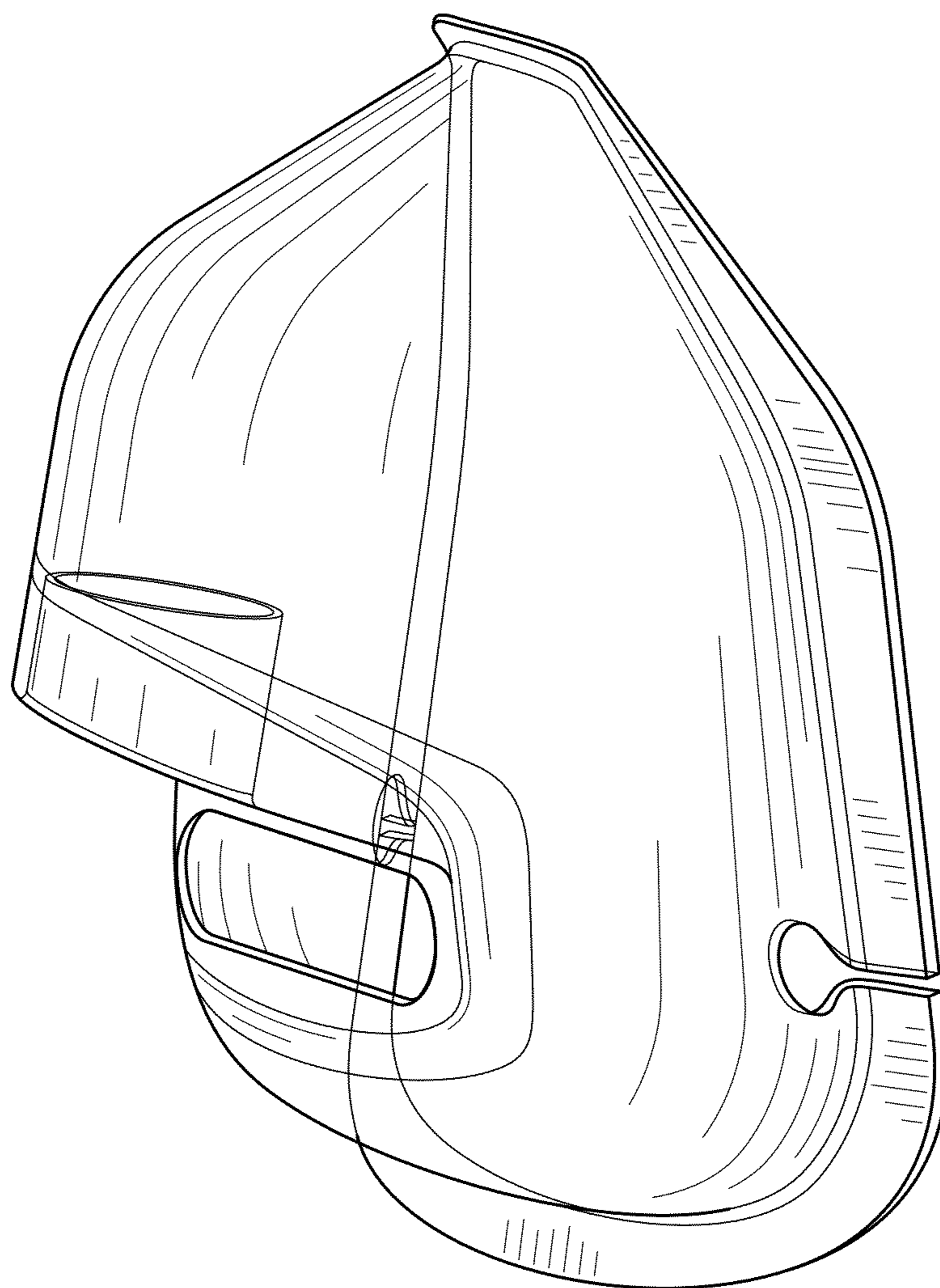


FIG. 1

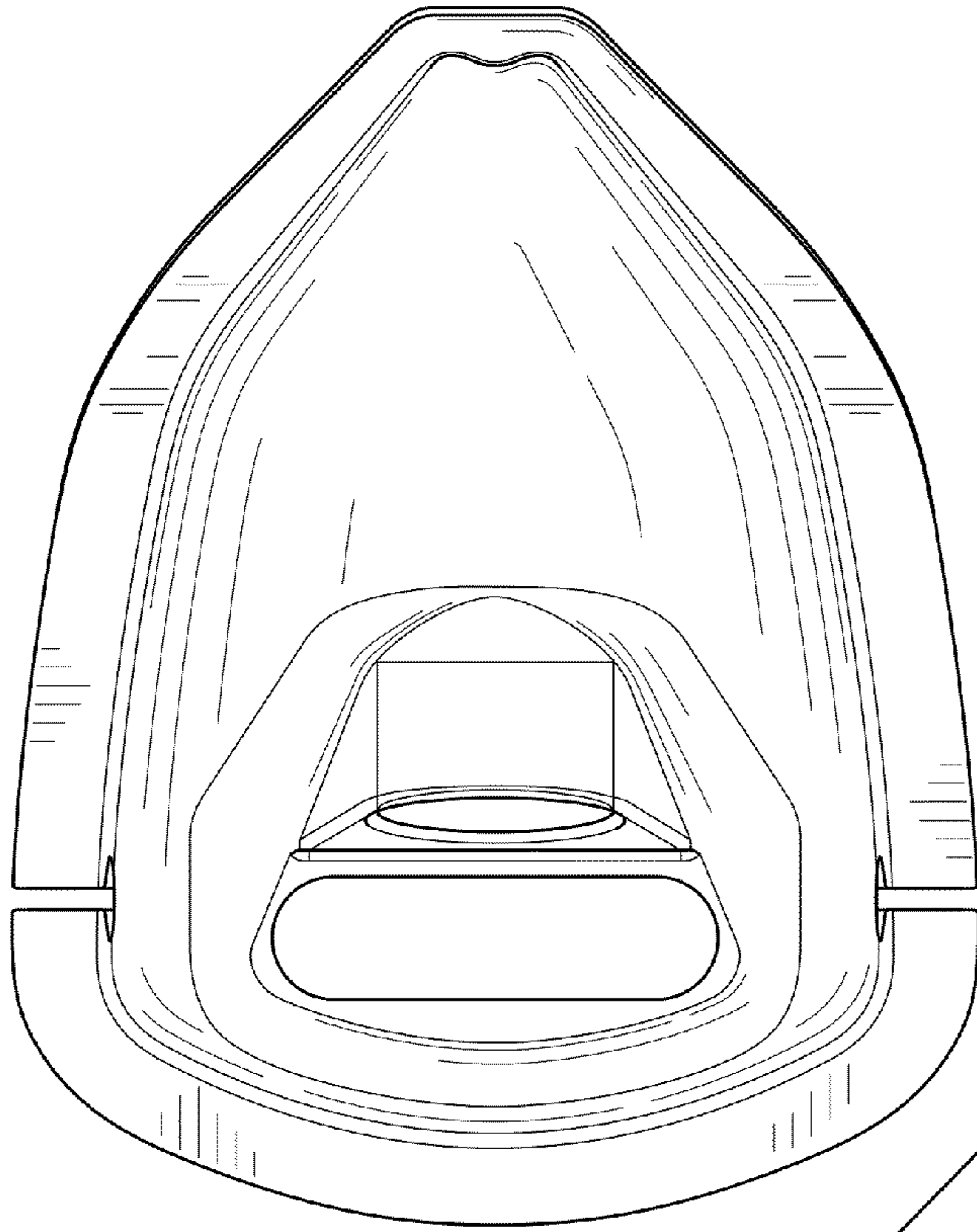


FIG. 2

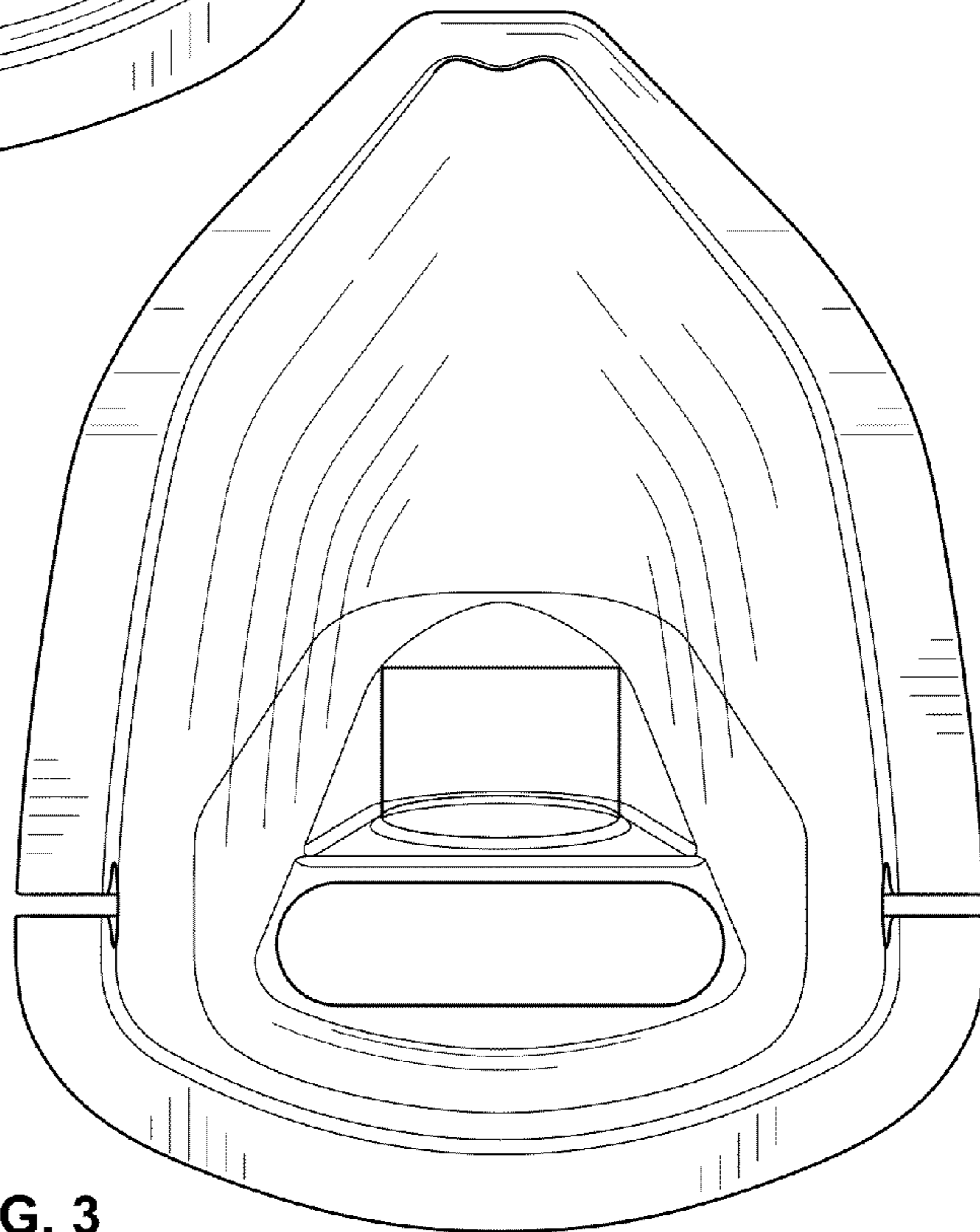


FIG. 3

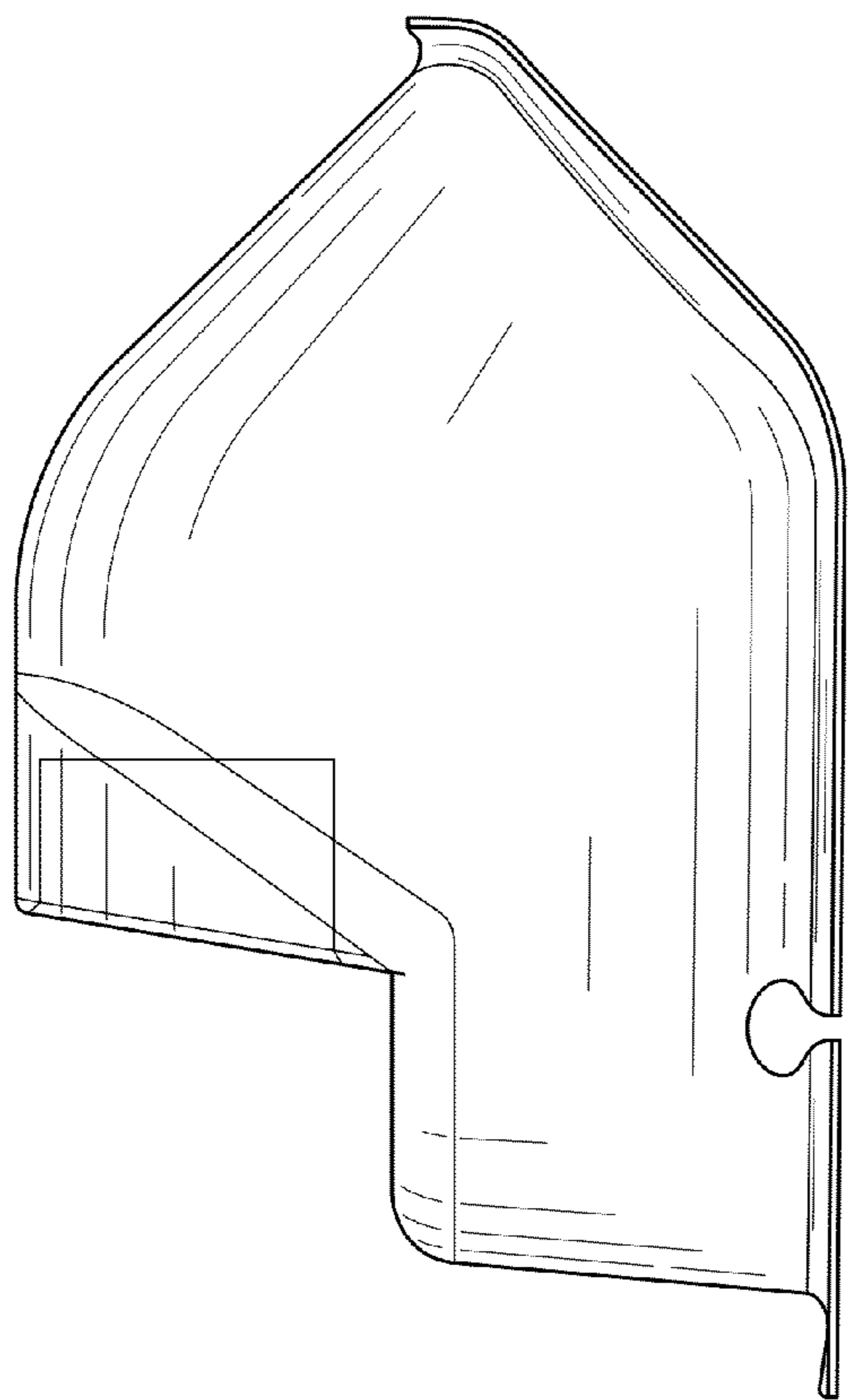


FIG. 4

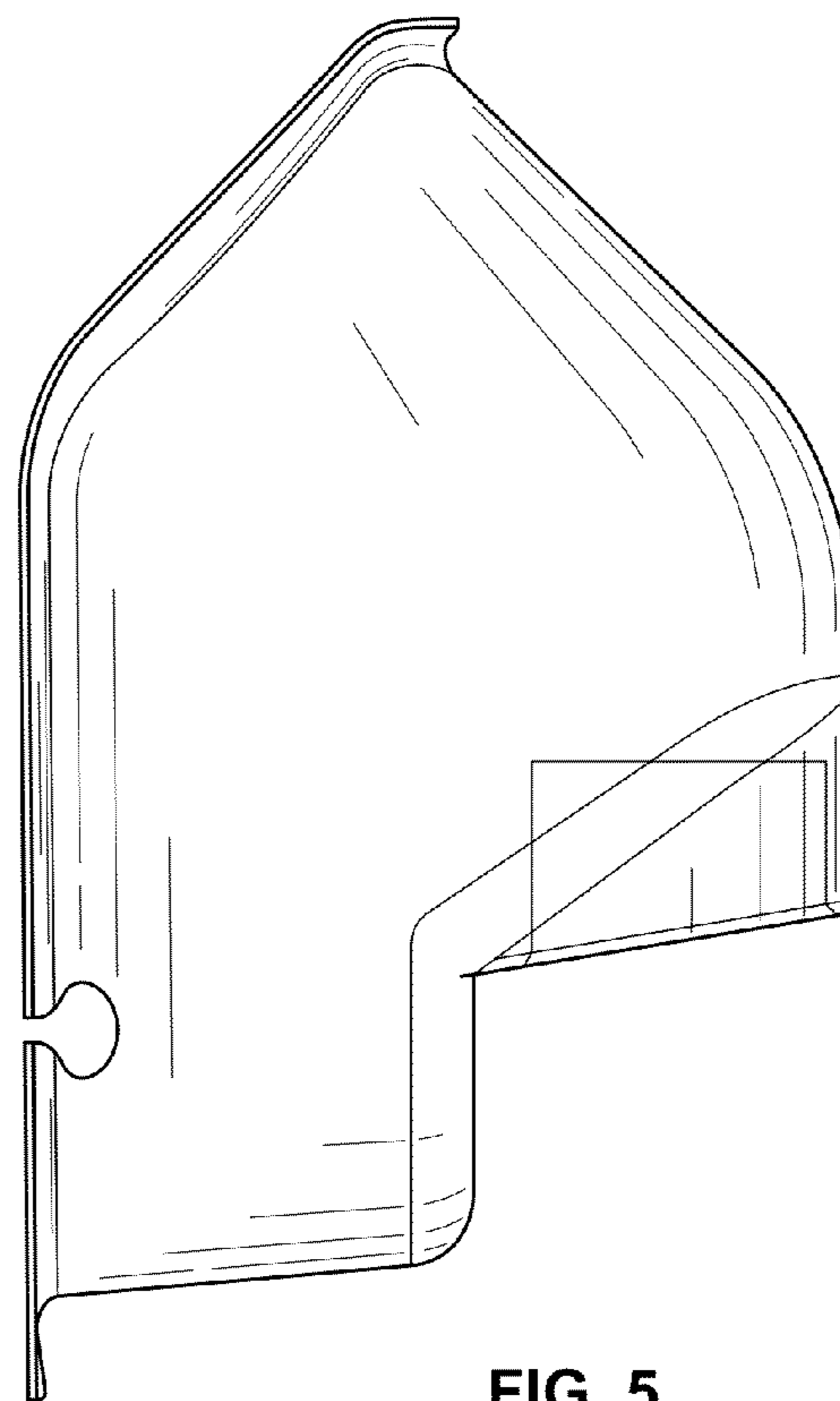


FIG. 5

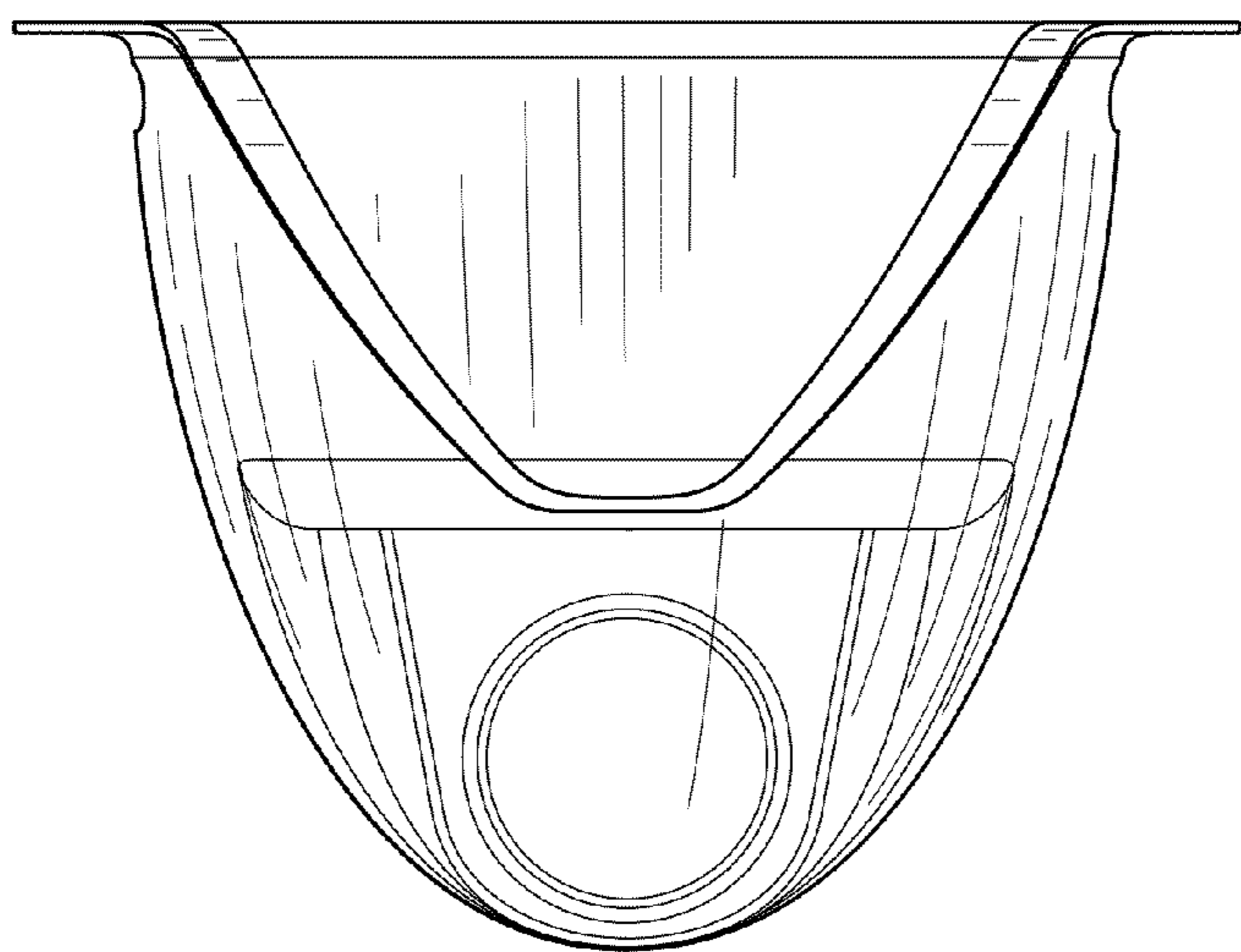


FIG. 6

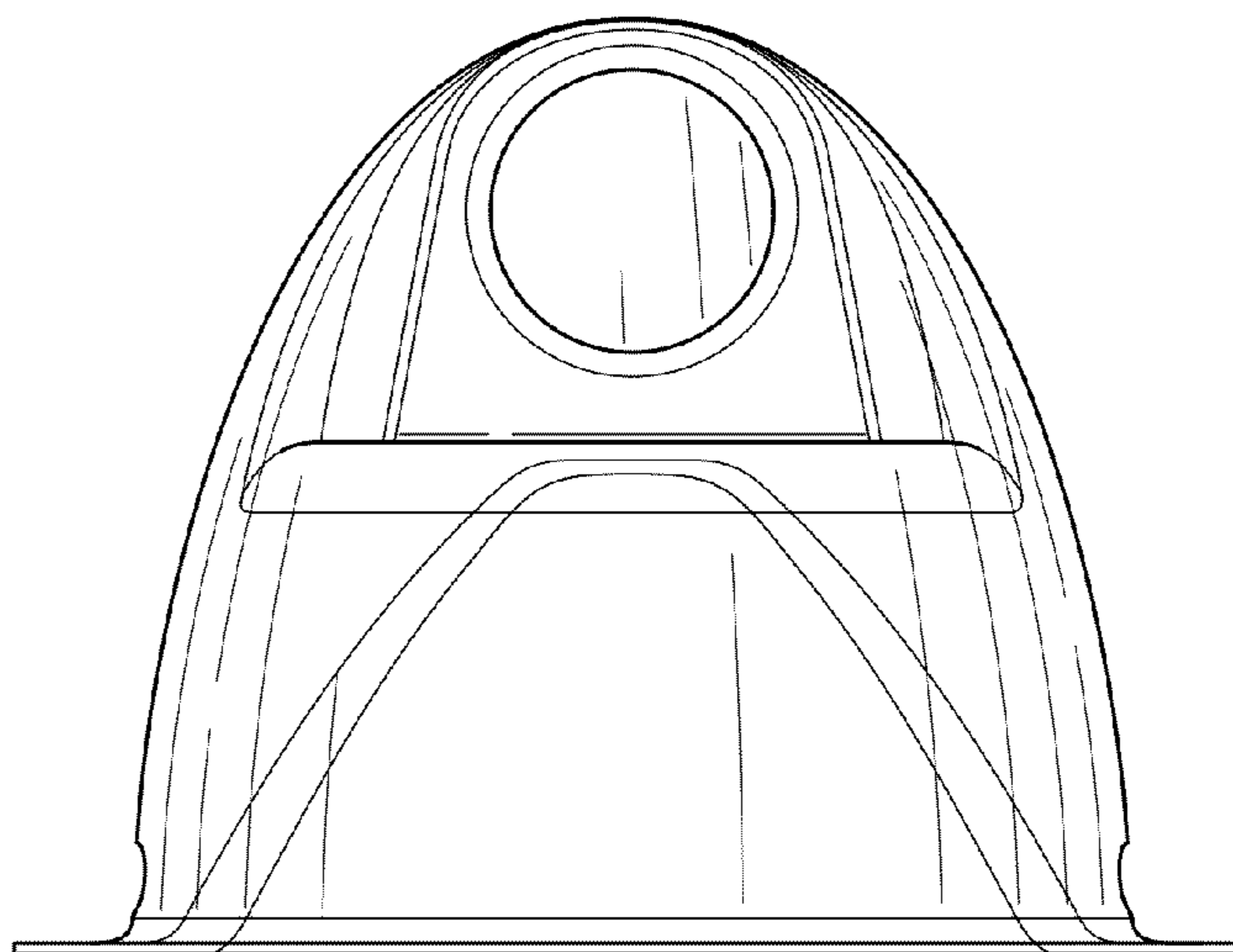


FIG. 7

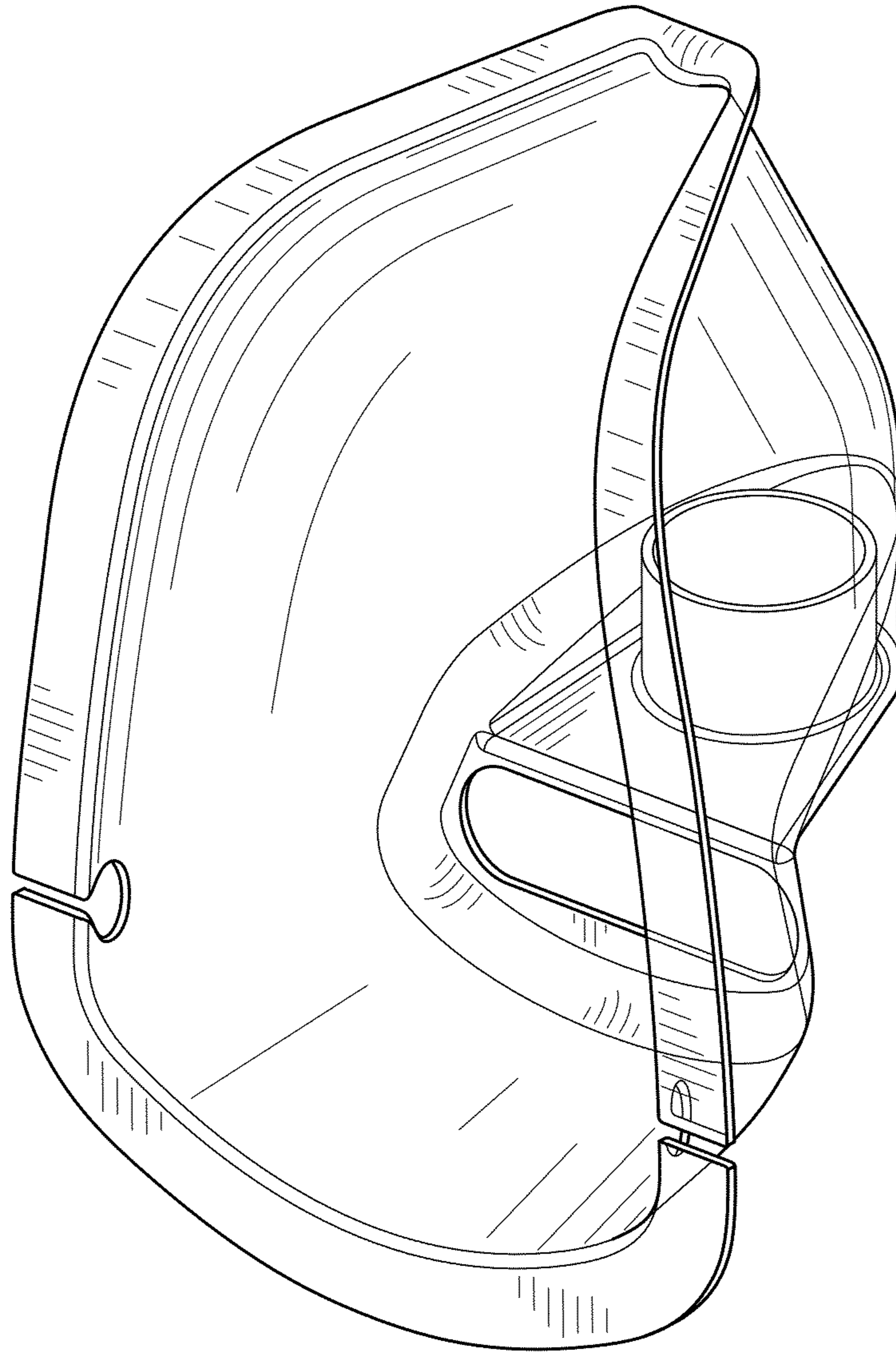


FIG. 8