



US00D726300S

(12) **United States Design Patent**  
**DeFilippis**

(10) **Patent No.:** **US D726,300 S**

(45) **Date of Patent:** **\*\* Apr. 7, 2015**

- (54) **FAN**
- (71) Applicant: **SPAL Automotive S.r.l.**, Correggio (Reggio Emilia) (IT)
- (72) Inventor: **Pietro DeFilippis**, Varazze (IT)
- (73) Assignee: **SPAL Automotive S.r.l.** (IT)
- (\*\*) Term: **14 Years**

4,684,324	A *	8/1987	Perosino	.....	416/189
D292,389	S *	10/1987	Boyle et al.	.....	D12/211
D310,654	S *	9/1990	Giambrone	.....	D12/211
5,000,660	A *	3/1991	Van Houten et al.	.....	416/203
5,624,234	A *	4/1997	Neely et al.	.....	416/238
D392,239	S *	3/1998	Cullen	.....	D12/211
5,730,583	A *	3/1998	Alizadeh	.....	416/189
5,769,607	A *	6/1998	Neely et al.	.....	416/189
D404,702	S *	1/1999	Celeste	.....	D12/211
6,241,474	B1 *	6/2001	Alizadeh et al.	.....	416/189
D446,295	S *	8/2001	Williams et al.	.....	D23/370

(Continued)

- (21) Appl. No.: **29/469,197**
- (22) Filed: **Oct. 8, 2013**
- (30) **Foreign Application Priority Data**  
Apr. 24, 2013 (EM) ..... 001369144-0001
- (51) **LOC (10) Cl.** ..... **23-04**
- (52) **U.S. Cl.**  
USPC ..... **D23/414**
- (58) **Field of Classification Search**  
CPC ... F04D 29/326; F04D 29/384; F04D 29/386;  
F04D 29/281; F04D 29/282; F04D 29/28  
USPC ..... D23/411-414, 380, 324, 330, 332, 335,  
D23/353-369, 370-379, 381-385, 499;  
D21/455, 458; 392/365, 367; 415/179;  
416/62, 93 R, 100, 182, 189, 244 R,  
416/246, 247 R; 417/200, 423.1; 123/41.49;  
261/24, 28; D12/204, 207, 211, 213,  
D12/214, 216, 166, 330; D13/175, 179  
See application file for complete search history.

**OTHER PUBLICATIONS**

AutomotiveCoolingFans (Design -©Questel). orbit.com [online PDF] 10 pages. Uploaded range 2004-2008 [retrieved on Nov. 23, 2014]. Retrieved from Internet: <<http://sobjprd.questel.fr/export/QPTUJ214/pdf2/6ccf34ab-25a1-40ad-b5d8-942567a41d0d-180944.pdf>>.\*

*Primary Examiner* — Susan Bennett Hattan  
*Assistant Examiner* — Marie Fast Horse  
(74) *Attorney, Agent, or Firm* — Timothy J. Klima; Shuttleworth & Ingersoll, PLC

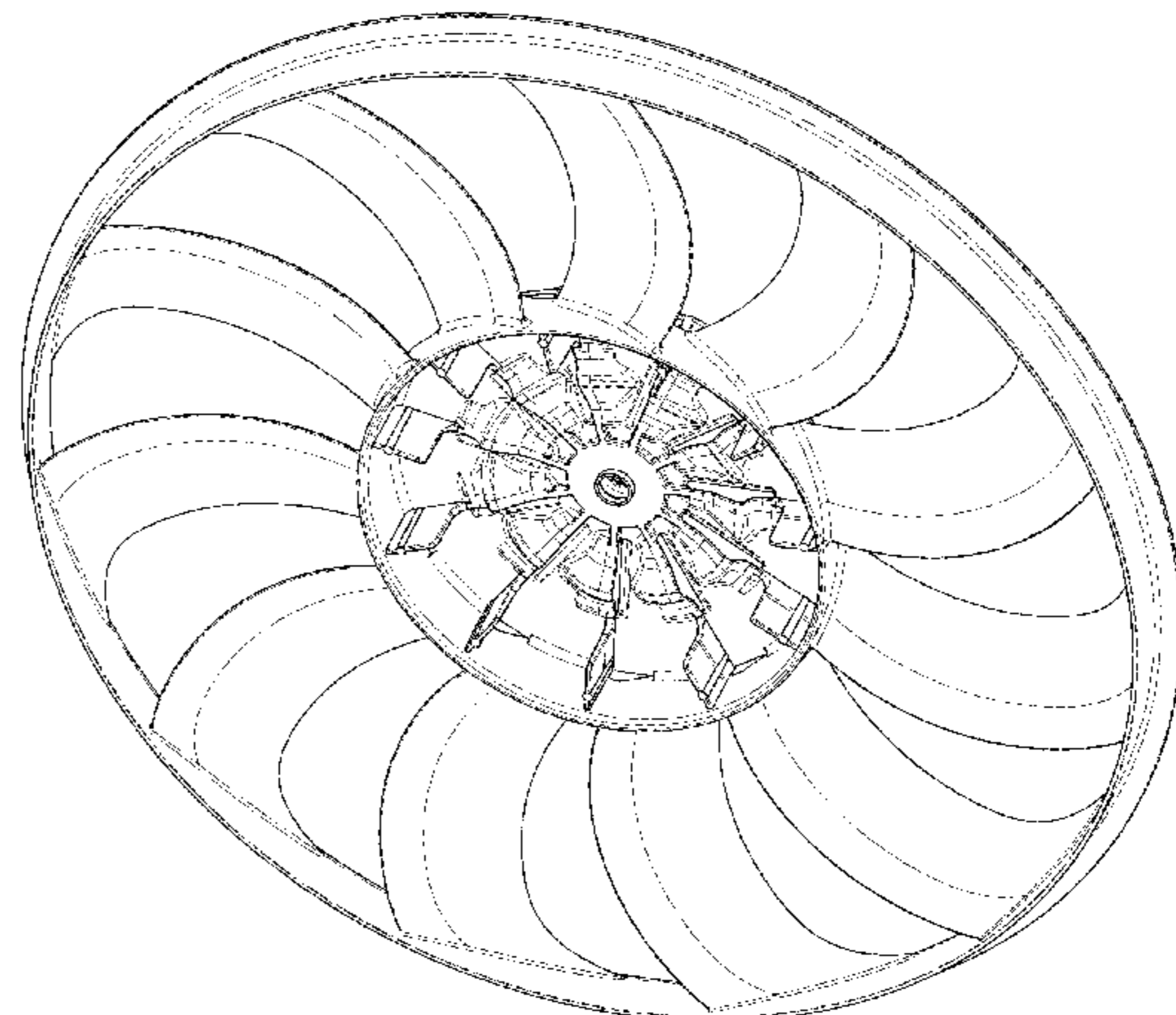
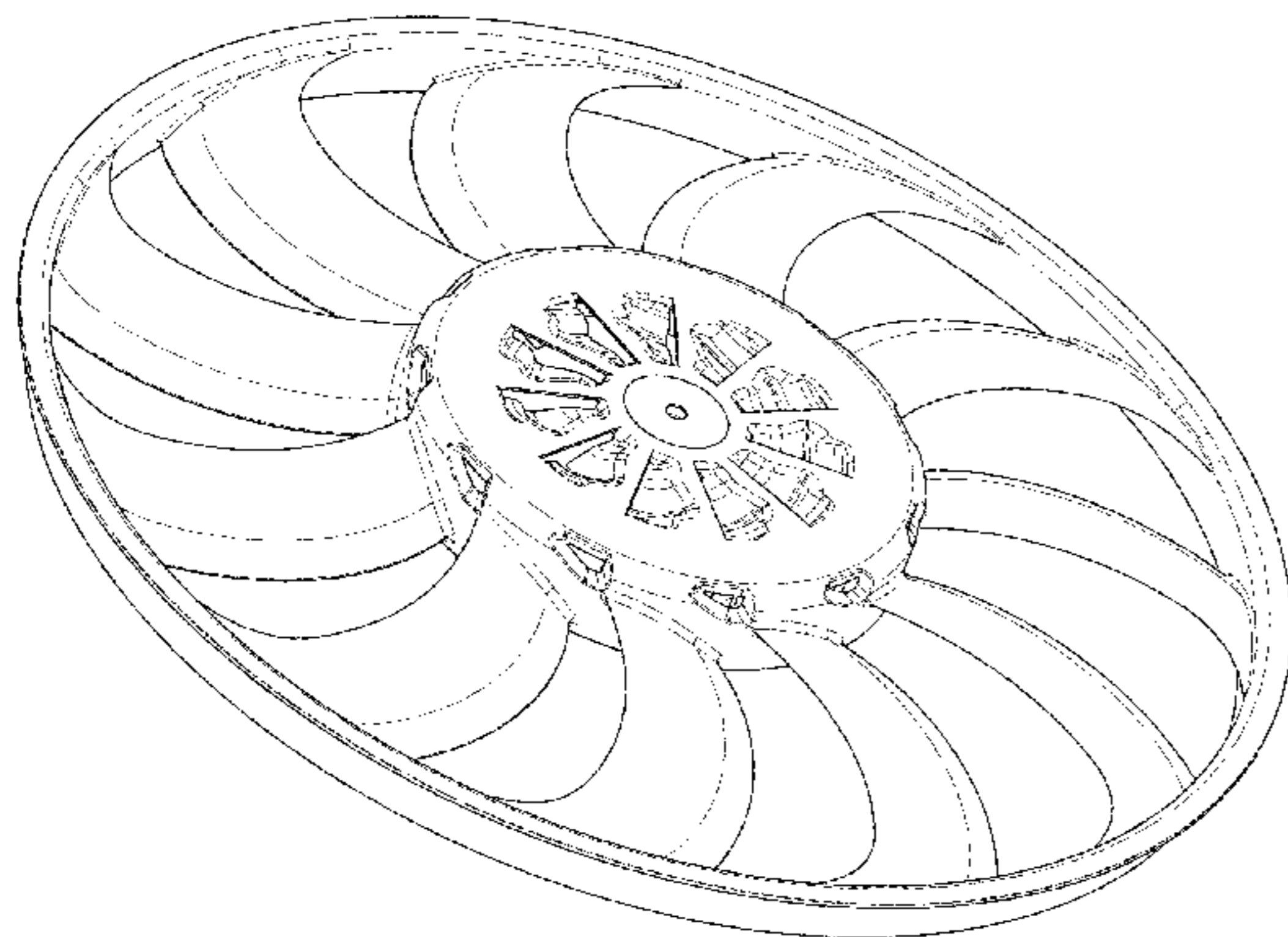
- (56) **References Cited**  
U.S. PATENT DOCUMENTS  
231,079 A \* 8/1880 Moore et al. .... 416/237  
D173,436 S \* 11/1954 Kline et al. .... D23/414  
D257,364 S \* 10/1980 Molenaar ..... D21/458

(57) **CLAIM**  
The ornamental design for a fan, as shown and described.

**DESCRIPTION**

FIG. 1 is a perspective front view;  
FIG. 2 is a perspective rear view;  
FIG. 3 is a front view;  
FIG. 4 is a rear view;  
FIG. 5 is a left side view, with respect to FIG. 3;  
FIG. 6 is a right side view, with respect to FIG. 3;  
FIG. 7 is a top side view, with respect to FIG. 3;  
FIG. 8 is a bottom side view, with respect to FIG. 3; and,  
FIG. 9 is an enlarged view of the hub, with respect to FIG. 1.

**1 Claim, 7 Drawing Sheets**



(56)

**References Cited**

U.S. PATENT DOCUMENTS

6,872,052 B2 *	3/2005	Havel et al. ....	416/189	2005/0238486 A1 *	10/2005	Stagg et al. ....	415/179
D511,824 S *	11/2005	Chen et al. ....	D23/370	2007/0166165 A1 *	7/2007	Lee .....	416/189
D528,491 S *	9/2006	Wang Hsiao .....	D12/204	2008/0156282 A1 *	7/2008	Aschermann .....	123/41.49
7,455,502 B2 *	11/2008	Spaggiari .....	416/93 R	2009/0155076 A1 *	6/2009	Jarrah .....	416/182
7,585,155 B2 *	9/2009	Park et al. ....	416/189	2010/0260630 A1 *	10/2010	Bilodeau et al. ....	417/423.1
8,157,524 B2 *	4/2012	Nicgorski et al. ....	416/93 R	2011/0135494 A1 *	6/2011	Nicgorski et al. ....	416/93 R
D670,803 S *	11/2012	Spaggiari .....	D23/413	2012/0224988 A1 *	9/2012	Maier et al. ....	417/423.1
2004/0013526 A1 *	1/2004	Nilson .....	416/189	2013/0323062 A1 *	12/2013	Henner et al. ....	416/195
				2014/0056710 A1 *	2/2014	Henner et al. ....	416/189
				2014/0334952 A1 *	11/2014	Ziegler et al. ....	417/423.1

\* cited by examiner

FIG.1

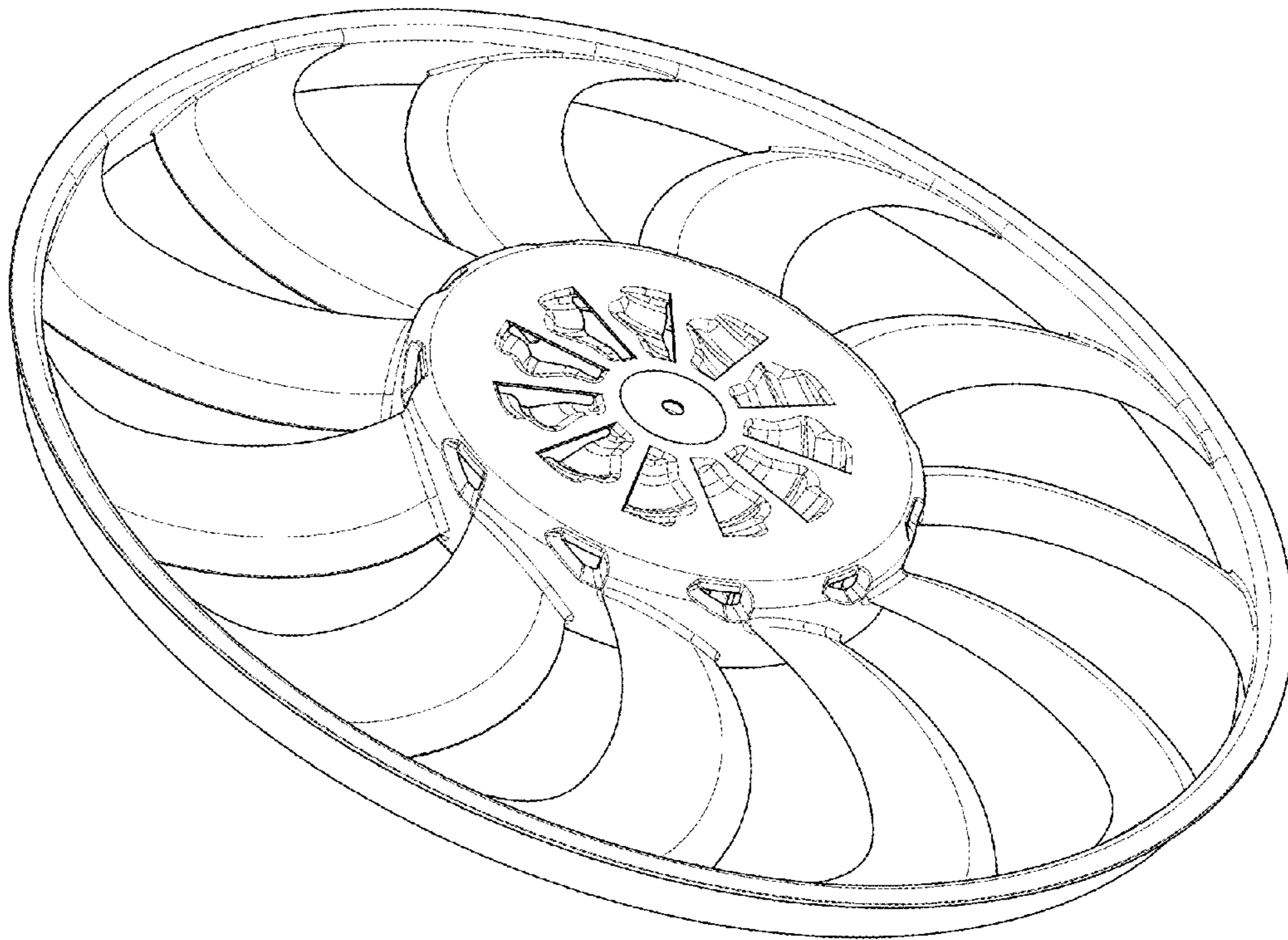


FIG.2

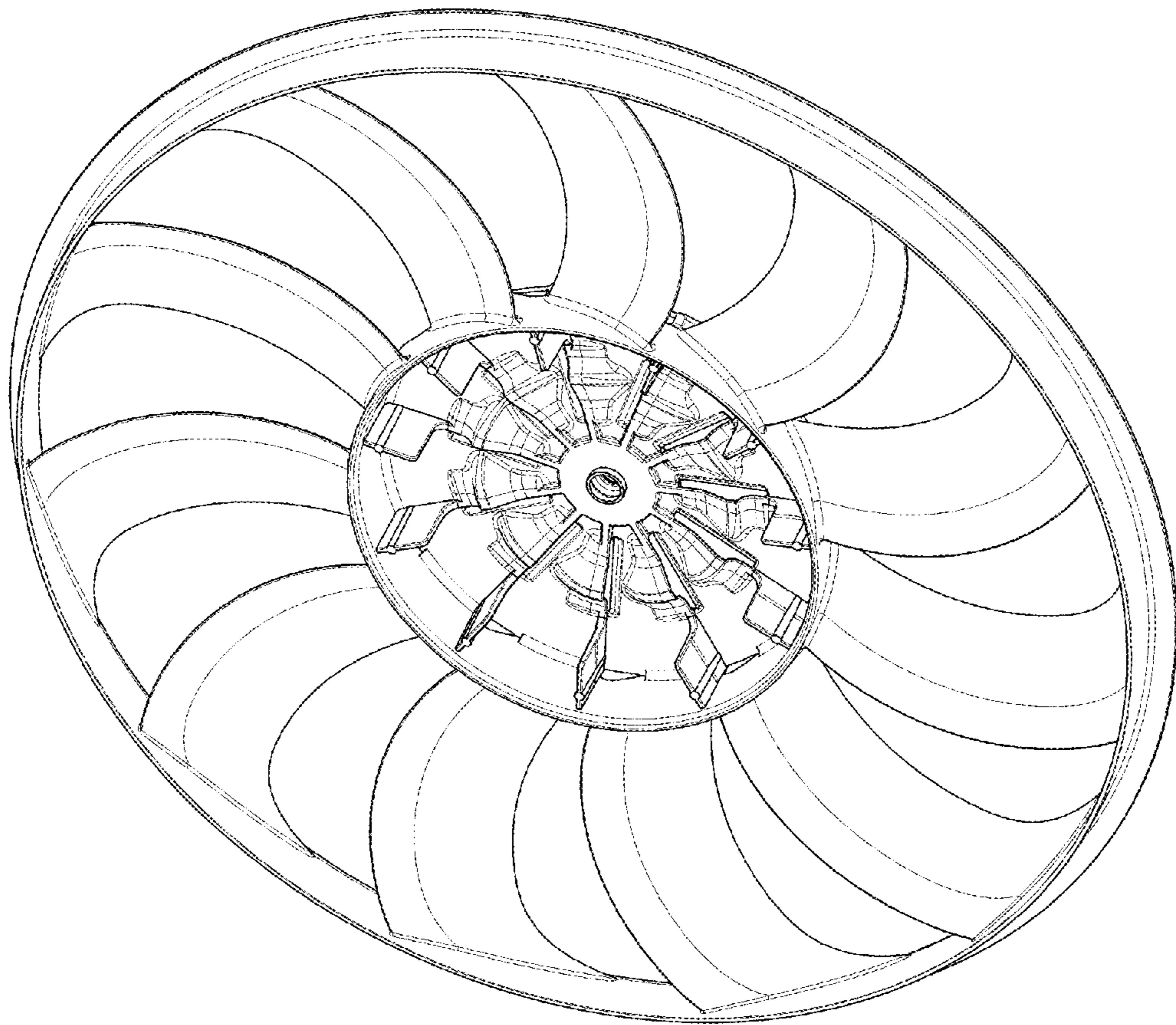


FIG.3

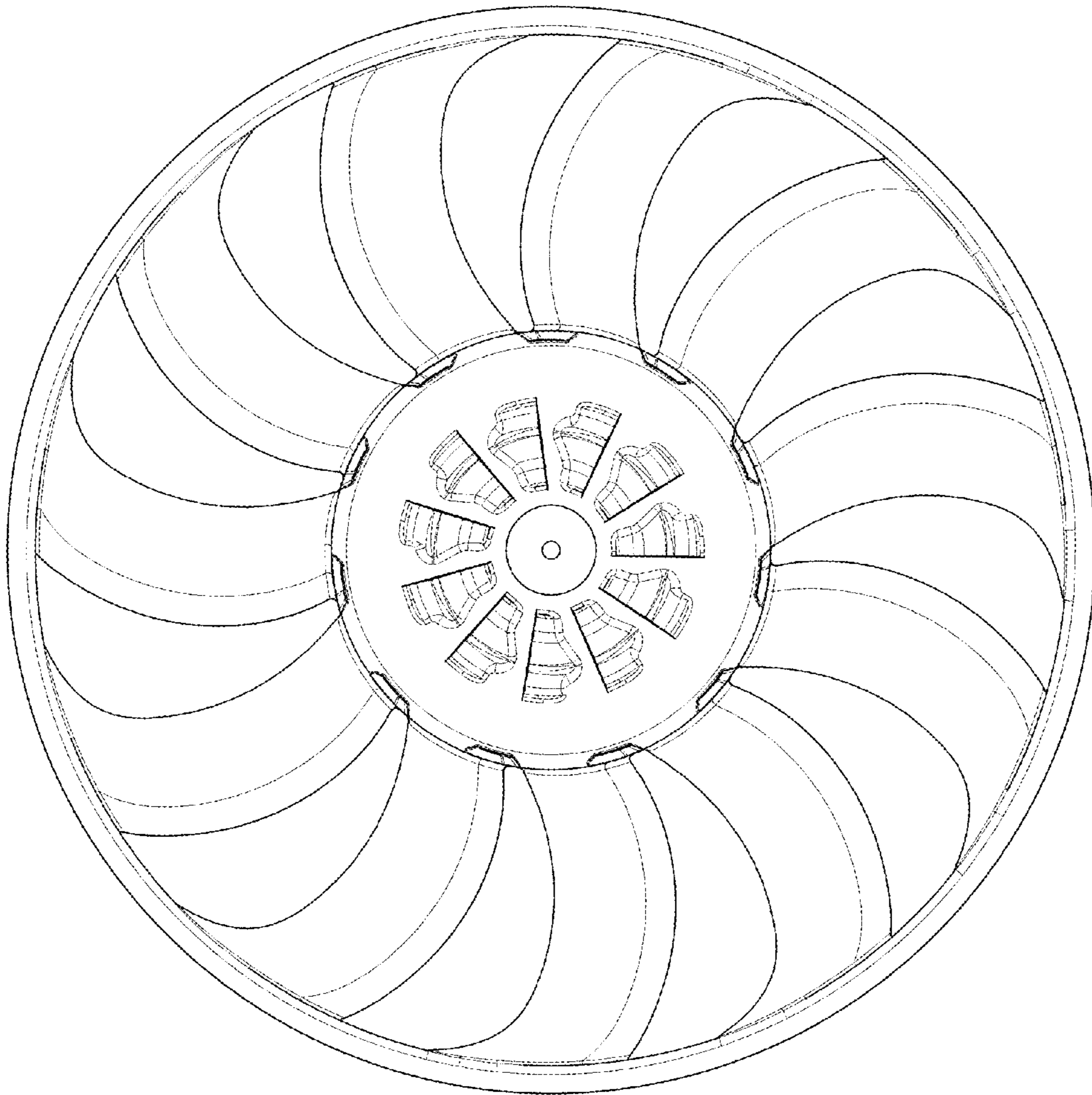


FIG.4

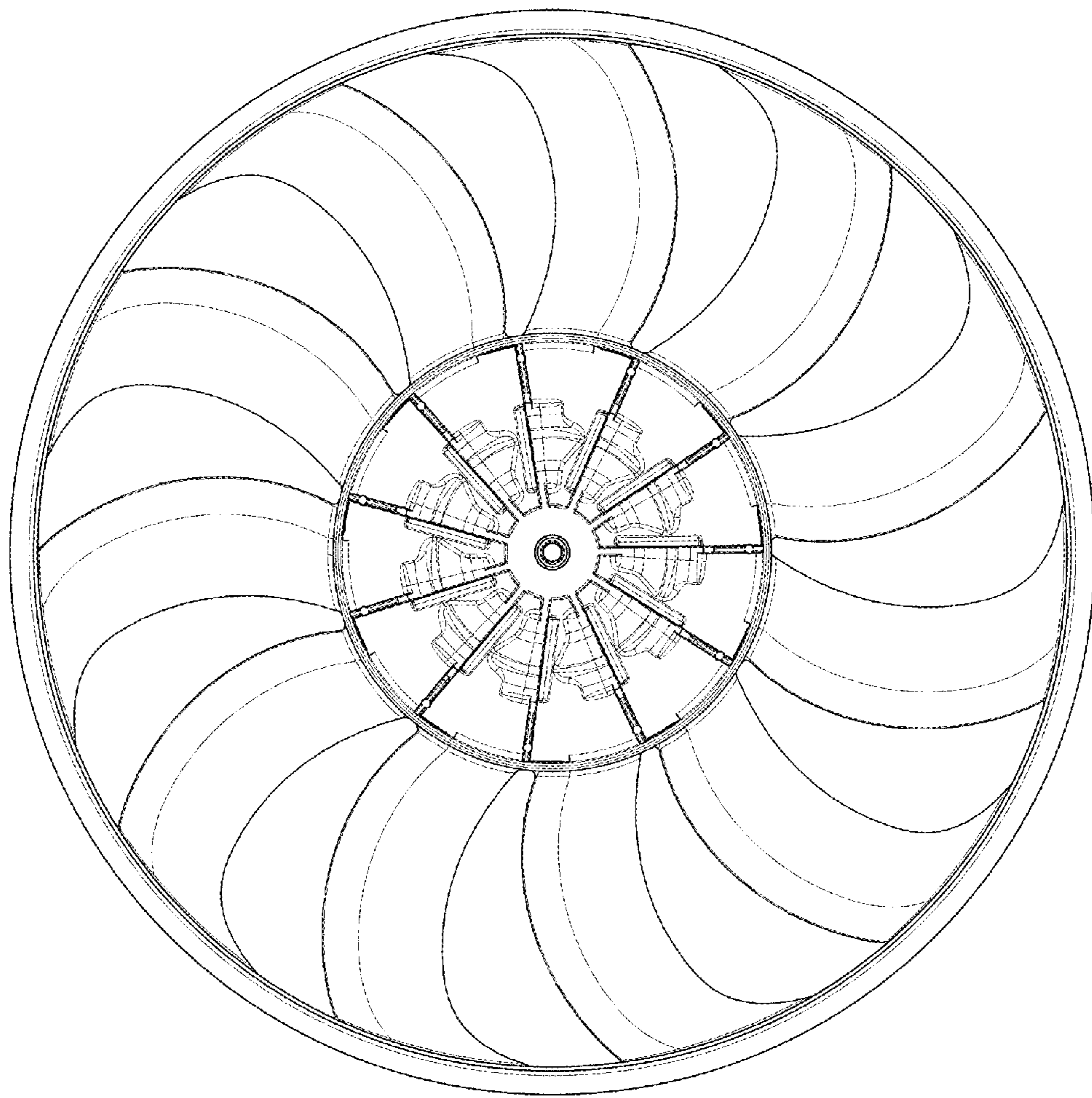


FIG.5

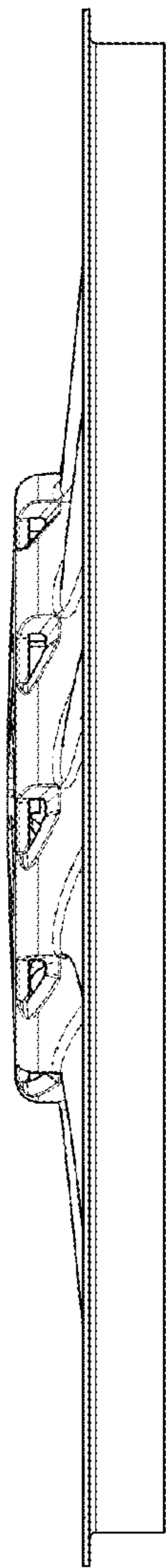


FIG.6

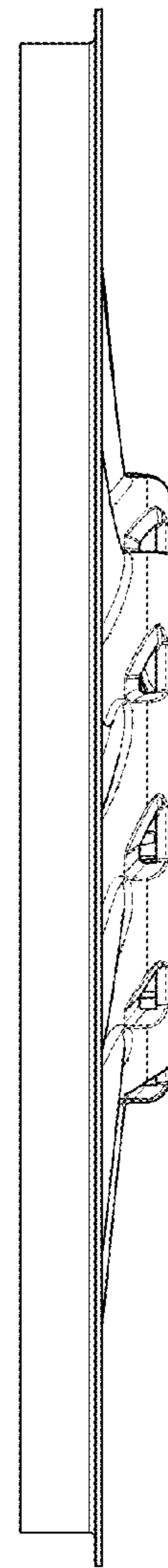


FIG.8

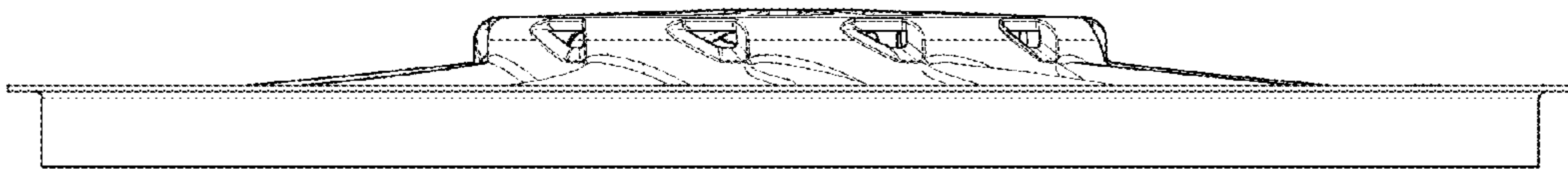


FIG.7

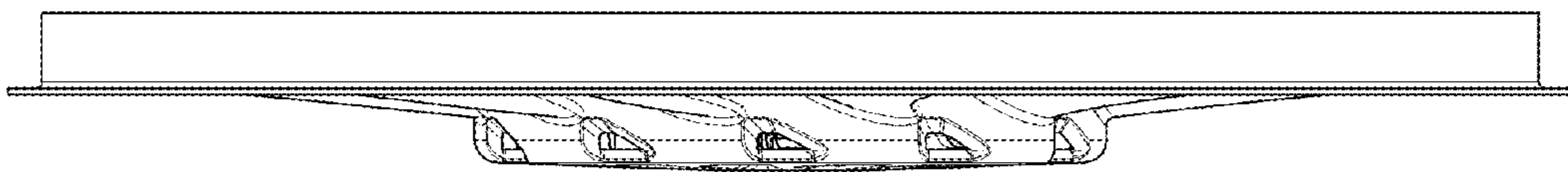




FIG.9

