



US00D726299S

(12) **United States Design Patent**  
**Schulzman**

(10) **Patent No.:** **US D726,299 S**  
(45) **Date of Patent:** **\*\* Apr. 7, 2015**

- (54) **CEILING FAN BLADE**
- (71) Applicant: **Minka Lighting, Inc.**, Corona, CA (US)
- (72) Inventor: **Kurt Schulzman**, Long Beach, CA (US)
- (73) Assignee: **Minka Lighting, Inc.**, Corona, CA (US)
- (\*\*) Term: **14 Years**
- (21) Appl. No.: **29/449,608**
- (22) Filed: **Mar. 15, 2013**
- (51) **LOC (10) Cl.** ..... **23-04**
- (52) **U.S. Cl.**  
USPC ..... **D23/413**

- (58) **Field of Classification Search**  
CPC ..... F04D 25/088; F04D 29/34; F04D 29/322;  
F21V 33/0096  
USPC ..... D23/411-414, 324, 331, 343, 370-387,  
D23/499; D26/85, 88, 106; 395/364; 416/5,  
416/244 R, 170 R, 184, 204 R, 206, 207,  
416/210 R, 214 R, 220 R, 228, 235-223 B,  
416/245 R-244 B  
See application file for complete search history.

(56) **References Cited**

U.S. PATENT DOCUMENTS

D246,795 S *	12/1977	Bonifant	.....	D23/413
D273,037 S *	3/1984	Dodge	.....	D23/413
5,066,196 A *	11/1991	Morofushi	.....	416/241 A
D345,790 S *	4/1994	Caldwell	.....	D23/377
D399,949 S *	10/1998	Chou	.....	D23/413
D448,840 S *	10/2001	Gajewski	.....	D23/377
D477,069 S *	7/2003	Johnson	.....	D23/411
D477,072 S *	7/2003	Johnson	.....	D23/413
D477,865 S *	7/2003	Huang	.....	D23/413
D489,124 S *	4/2004	Young	.....	D23/377
D501,043 S *	1/2005	Bacon et al.	.....	D23/413
D503,472 S *	3/2005	Tai	.....	D23/413
D503,473 S *	3/2005	Tai	.....	D23/413
D503,474 S *	3/2005	Tai	.....	D23/413
D503,475 S *	3/2005	Tai	.....	D23/413

D503,476 S *	3/2005	Tai	.....	D23/413
D503,795 S *	4/2005	Tai	.....	D23/413
D505,724 S *	5/2005	Tai	.....	D23/413
D507,644 S *	7/2005	Tai	.....	D23/413
D509,295 S *	9/2005	Stauffer et al.	.....	D23/413
7,331,764 B1 *	2/2008	Reynolds et al.	.....	416/204 R
D596,733 S *	7/2009	Kihara	.....	D23/377
D598,997 S *	8/2009	Klausing et al.	.....	D23/377
D599,474 S *	9/2009	Klausing et al.	.....	D23/413
D633,195 S *	2/2011	Stagg	.....	D23/413
2008/0069698 A1 *	3/2008	Laisathit	.....	416/210 R
2010/0129225 A1 *	5/2010	Itou et al.	.....	416/204 R

\* cited by examiner

*Primary Examiner* — Susan Bennett Hattan

*Assistant Examiner* — Marie Fast Horse

(74) *Attorney, Agent, or Firm* — Baker & McKenzie LLP

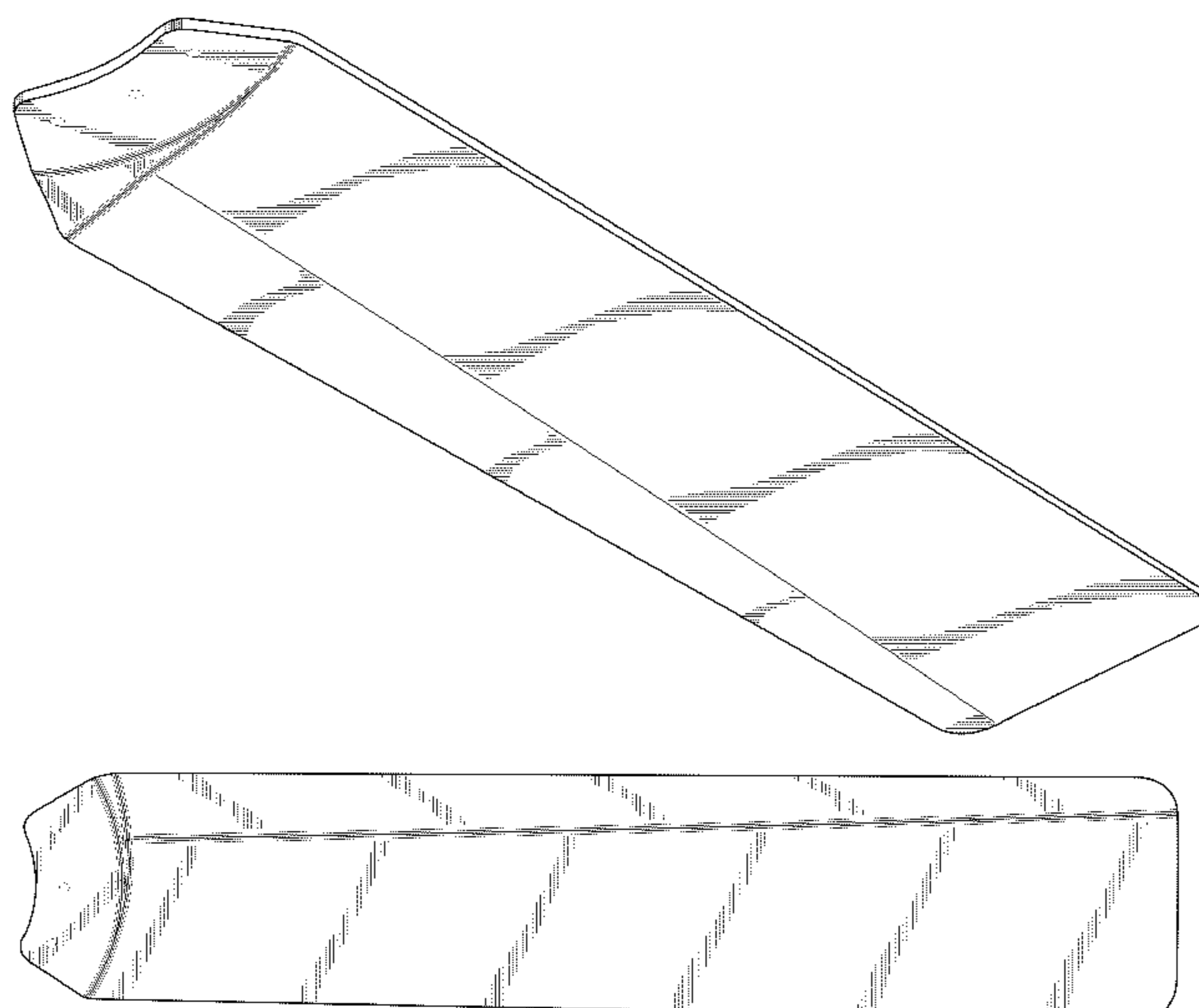
(57) **CLAIM**

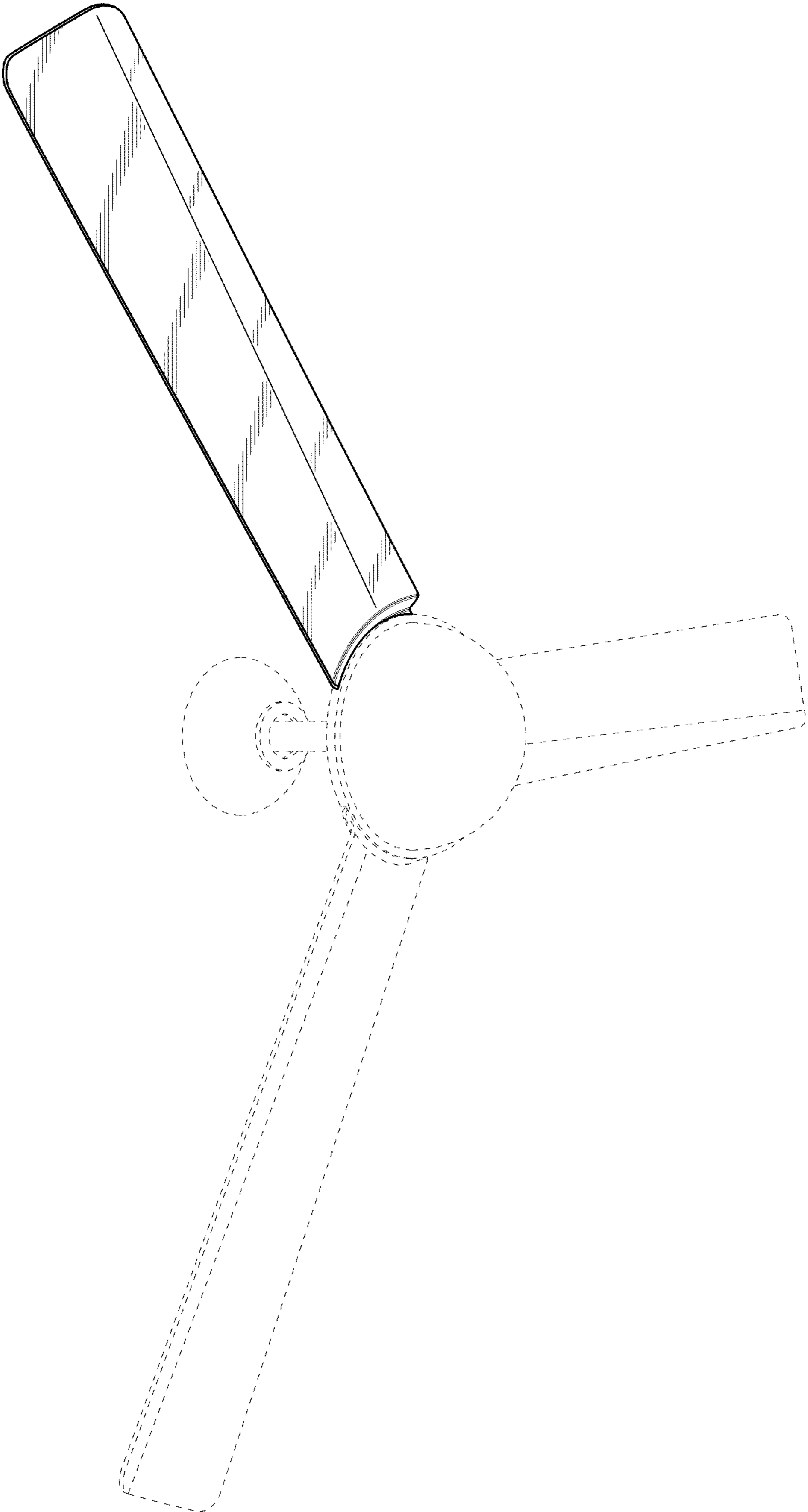
The ornamental design for a ceiling fan blade, as shown and described.

**DESCRIPTION**

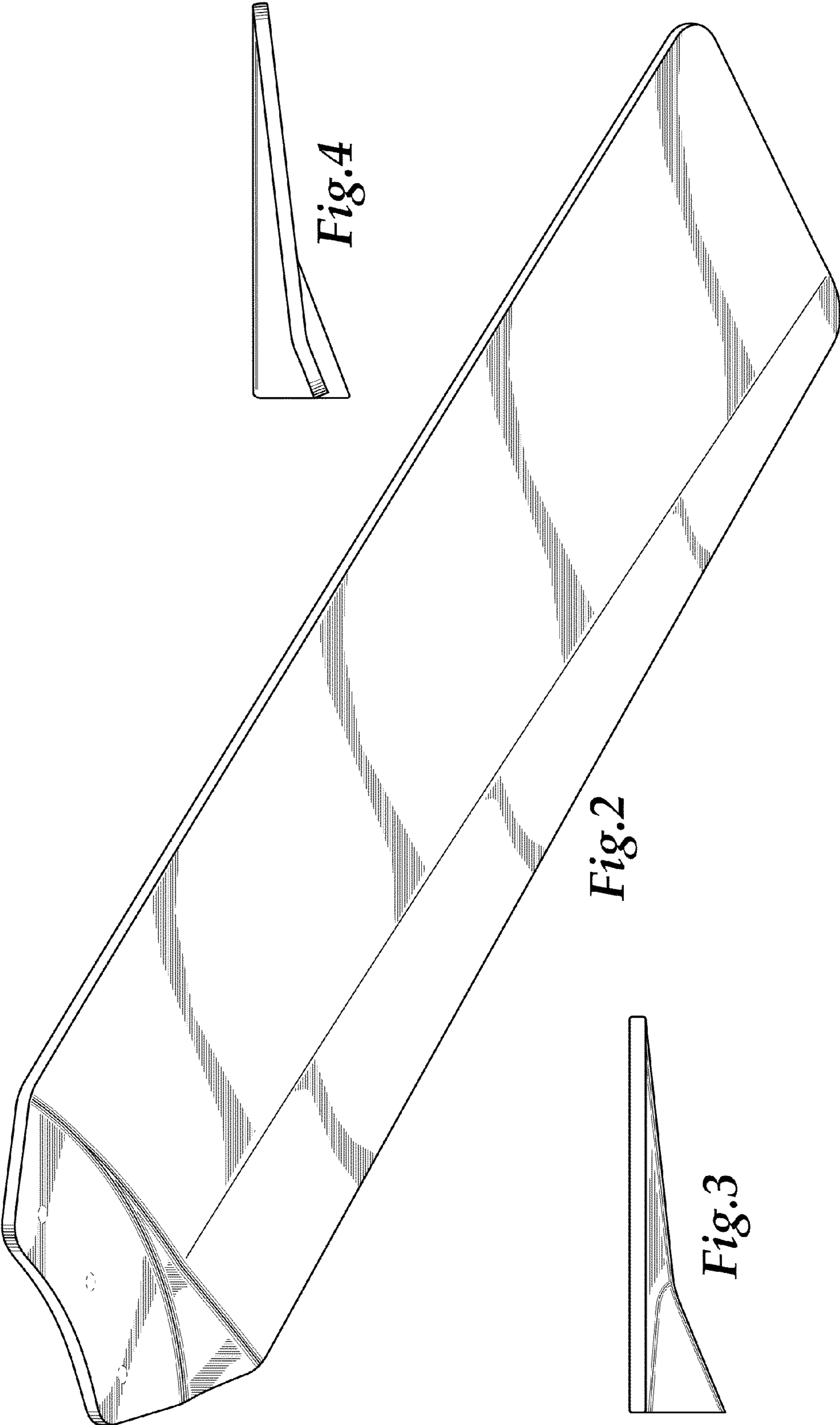
FIG. 1 is a perspective view of a ceiling fan blade in accordance with my new design, shown in its environment;  
 FIG. 2 is another perspective of the ceiling fan blade in accordance with my design;  
 FIG. 3 is a rear elevation view of the ceiling fan blade in accordance with my design;  
 FIG. 4 is a front elevation view of the ceiling fan blade in accordance with my design;  
 FIG. 5 is a bottom plan view of the ceiling fan blade in accordance with my design;  
 FIG. 6 is a top plan view of the ceiling fan blade in accordance with my design;  
 FIG. 7 is a right-side elevation view of the ceiling fan blade in accordance with my design; and,  
 FIG. 8 is a left-side elevation view of the ceiling fan blade in accordance with my design.  
 The broken lines showing the environmental structure are for illustrative purposes and form no part of the claimed design.

**1 Claim, 3 Drawing Sheets**

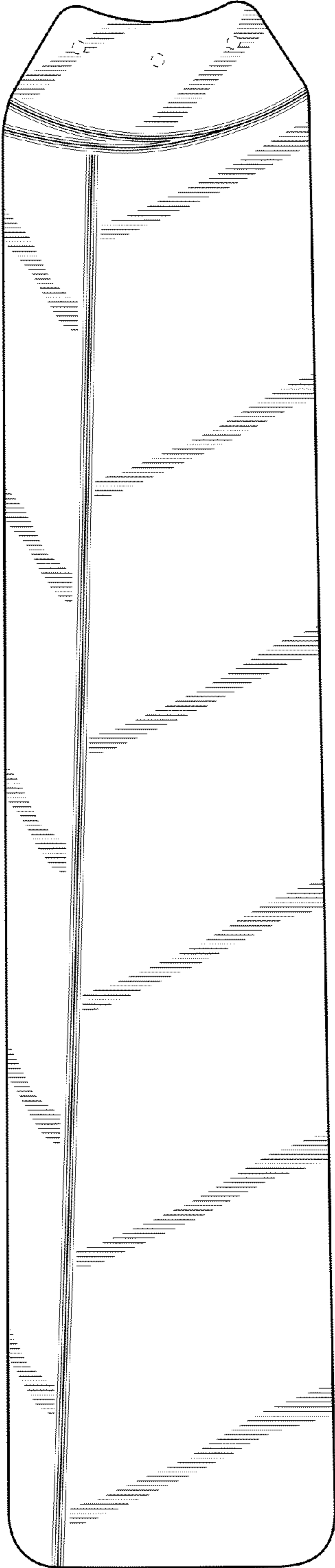




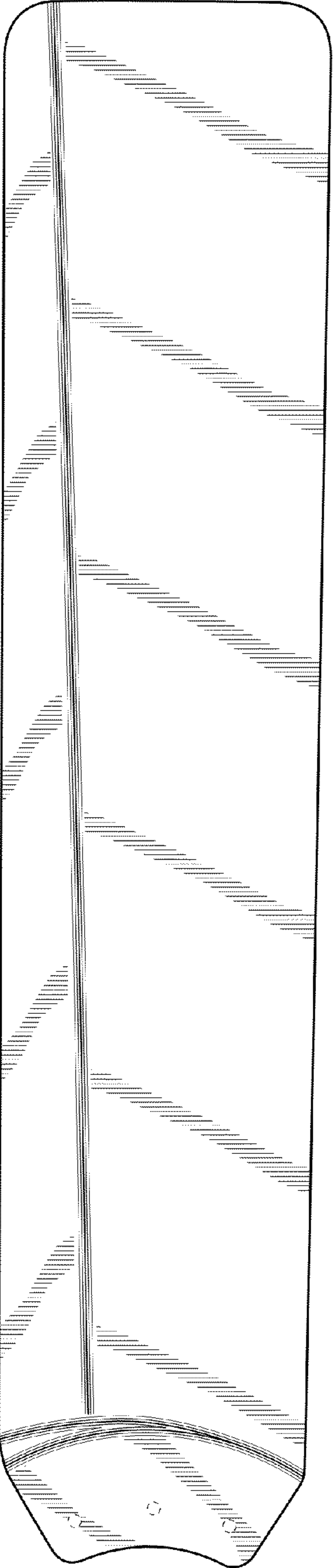
*Fig.1*



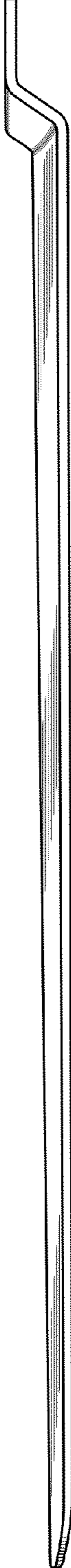
*Fig.5*



*Fig.6*



*Fig.7*



*Fig.8*

