



US00D726298S

(12) **United States Design Patent**
Busta

(10) **Patent No.:** **US D726,298 S**
(45) **Date of Patent:** **** Apr. 7, 2015**

- (54) **CEILING FAN HOUSING**
- (71) Applicant: **Minka Lighting, Inc.**, Corona, CA (US)
- (72) Inventor: **Jeff Busta**, La Crescenta, CA (US)
- (73) Assignee: **Minka Lighting, Inc.**, Corona, CA (US)
- (**) Term: **14 Years**
- (21) Appl. No.: **29/449,636**
- (22) Filed: **Mar. 15, 2013**
- (51) **LOC (10) Cl.** **23-04**
- (52) **U.S. Cl.**
USPC **D23/411**
- (58) **Field of Classification Search**
USPC D23/411-414, 259-261, 324, 331, 343,
D23/370-387, 390, 499; D13/113, 115;
416/5, 170 R, 214 R, 184, 206, 207,
416/210 R, 220 R, 244 R, 248; 362/96;
392/361, 364; 417/423.15; D15/5,
D15/7-9.1
See application file for complete search history.

D401,687 S *	11/1998	Pearce et al.	D23/411
D408,517 S *	4/1999	LaSpina	D23/377
D416,616 S *	11/1999	LaSpina	D23/377
D478,981 S *	8/2003	Frampton	D23/411
D484,967 S *	1/2004	Huang	D23/411
D527,451 S *	8/2006	Glasbrenner	D23/377
D532,103 S *	11/2006	Pickett	D23/411
D533,936 S *	12/2006	Tateishi et al.	D23/411
D545,326 S *	6/2007	Zellers	D15/7
D562,970 S *	2/2008	Pickett	D23/411
D706,918 S *	6/2014	Wang	D23/411
D706,920 S *	6/2014	Cohen	D23/411
D707,344 S *	6/2014	Wang	D23/411
2006/0076846 A1 *	4/2006	Han	310/91

* cited by examiner

Primary Examiner — Susan Bennett Hattan
Assistant Examiner — Marie Fast Horse
(74) *Attorney, Agent, or Firm* — Baker & McKenzie LLP

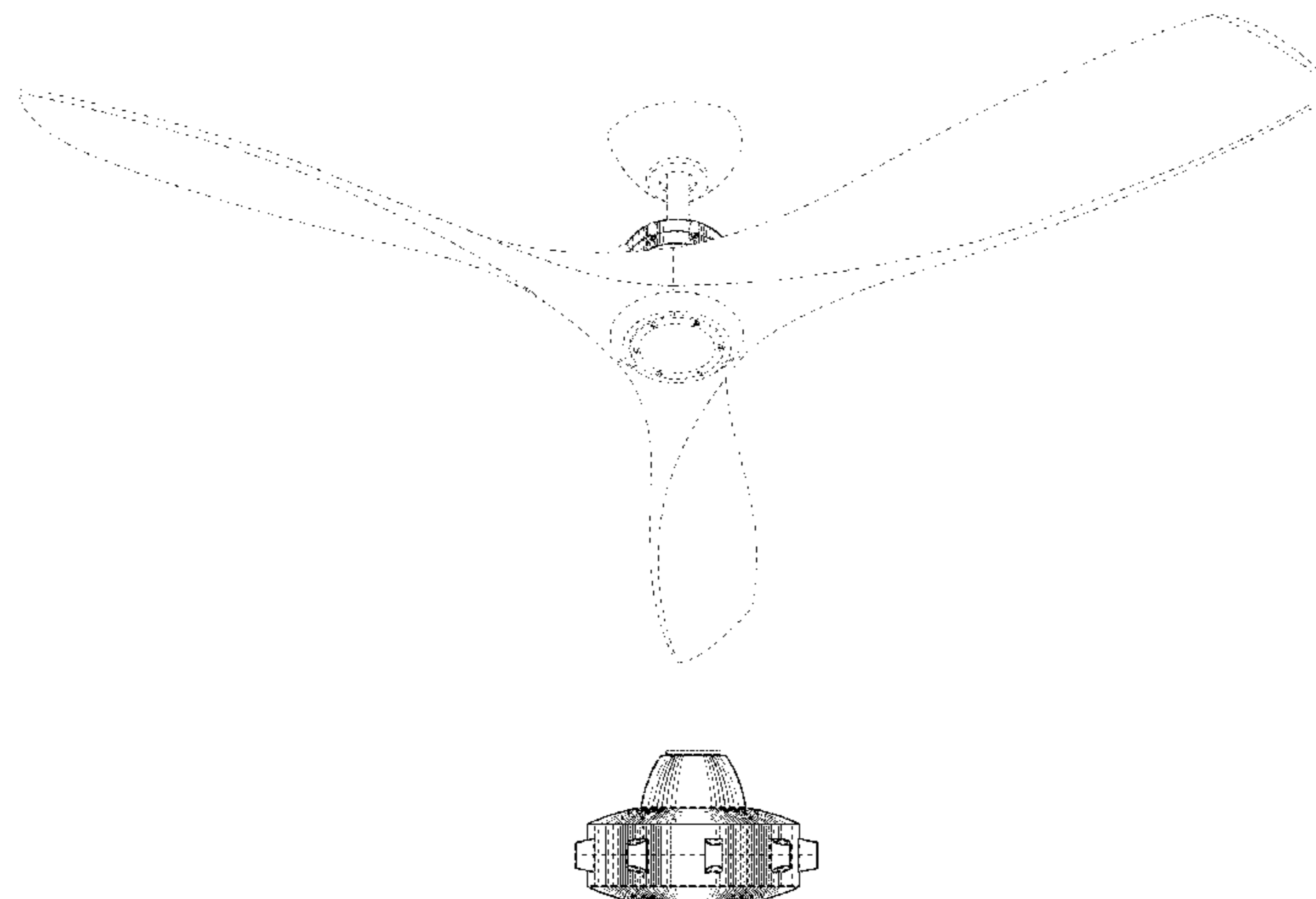
(57) **CLAIM**
The ornamental design for a ceiling fan housing, as shown and described.

DESCRIPTION

FIG. 1 is a perspective view of a ceiling fan housing in accordance with my design;
FIG. 2 is another perspective view of the ceiling fan housing in accordance with my design;
FIG. 3 is a top plan view of the ceiling fan housing in accordance with my design;
FIG. 4 is a left side elevation view of the ceiling fan housing in accordance with my design;
FIG. 5 is a rear elevation view of the ceiling fan housing in accordance with my design; and,
FIG. 6 is a front elevation view of the ceiling fan housing in accordance with my design.
The broken lines showing the environmental structure are for illustrative purposes and form no part of the claimed design.

1 Claim, 2 Drawing Sheets

- (56) **References Cited**
U.S. PATENT DOCUMENTS
- | | | | |
|---------------|---------|--------------------|------------|
| D58,904 S * | 9/1921 | Gilbert | D13/112 |
| D240,461 S * | 7/1976 | Leichliter | D15/5 |
| 4,342,073 A * | 7/1982 | Ranten | 362/294 |
| 4,592,702 A * | 6/1986 | Bogage | 416/247 R |
| D294,141 S * | 2/1988 | Ueda et al. | D13/112 |
| 4,808,071 A * | 2/1989 | Chau | 416/5 |
| 5,135,365 A * | 8/1992 | Bogage | 417/423.15 |
| D355,028 S * | 1/1995 | Tsuji | D23/377 |
| D369,405 S * | 4/1996 | Holbrook | D23/411 |
| D382,637 S * | 8/1997 | Lee | D23/377 |
| D393,711 S * | 4/1998 | Gee et al. | D23/411 |
| D396,532 S * | 7/1998 | Tsuji | D23/411 |
| D401,553 S * | 11/1998 | Pearce et al. | D13/112 |



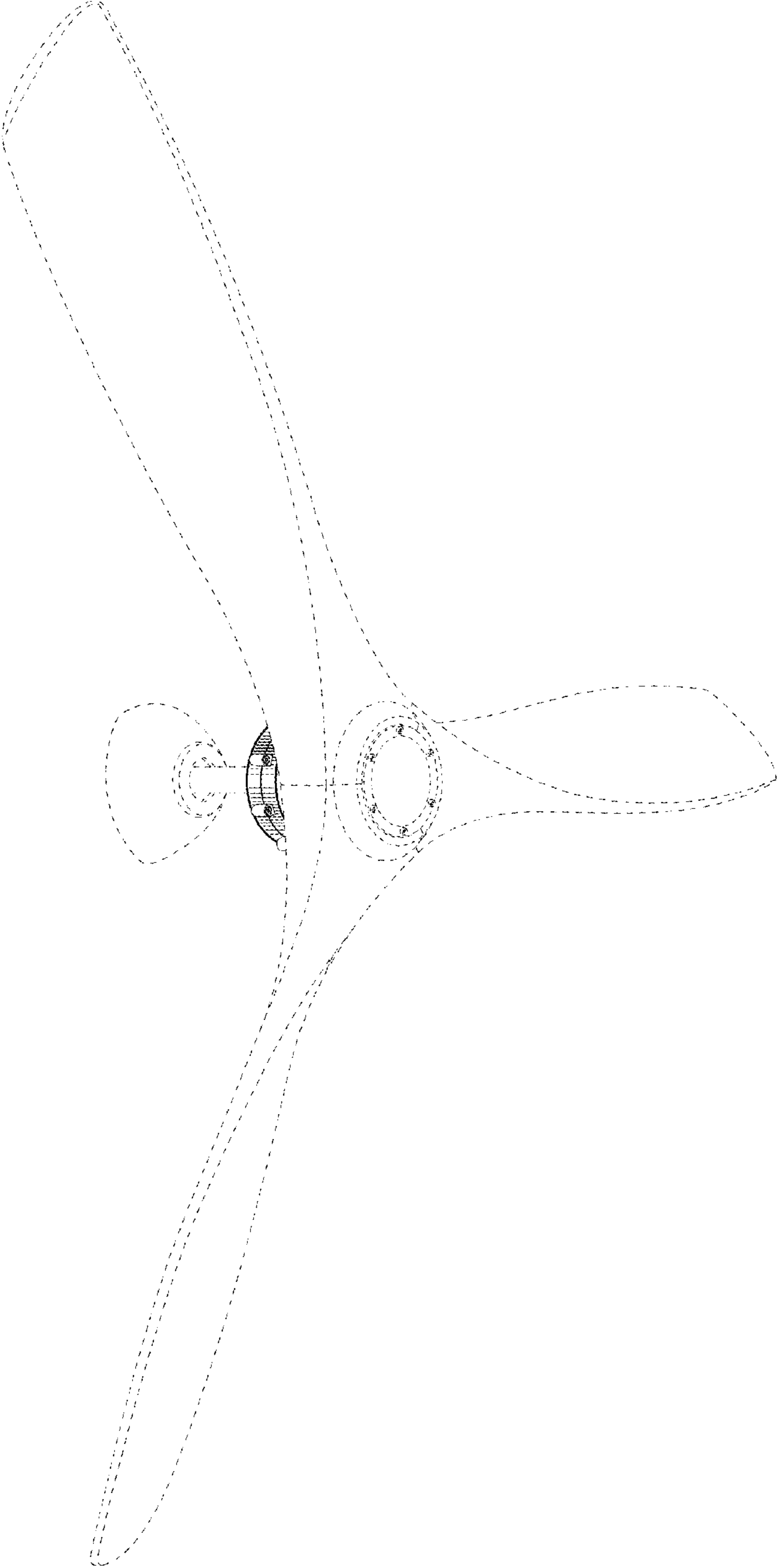


Fig.1

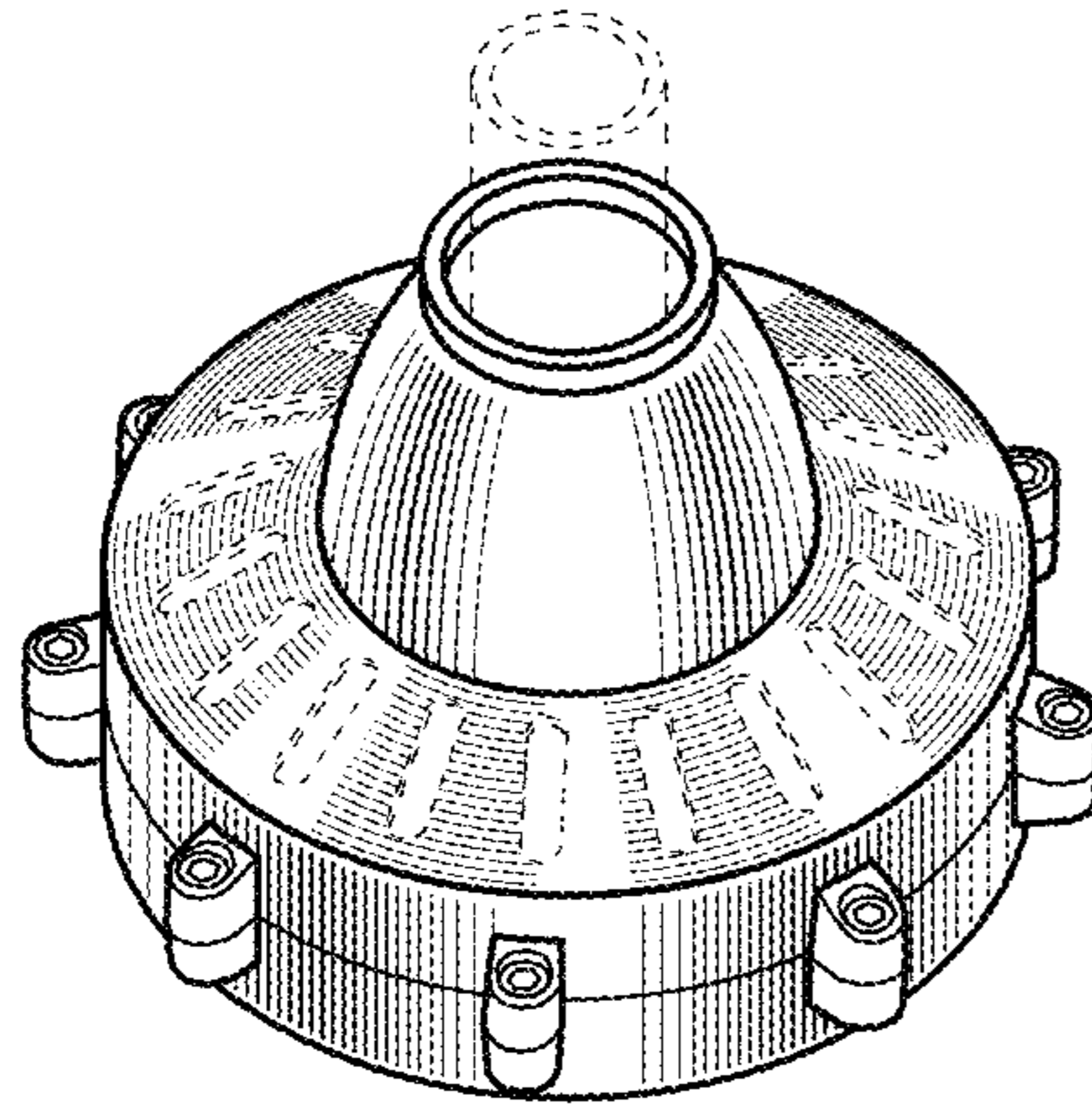


Fig.2

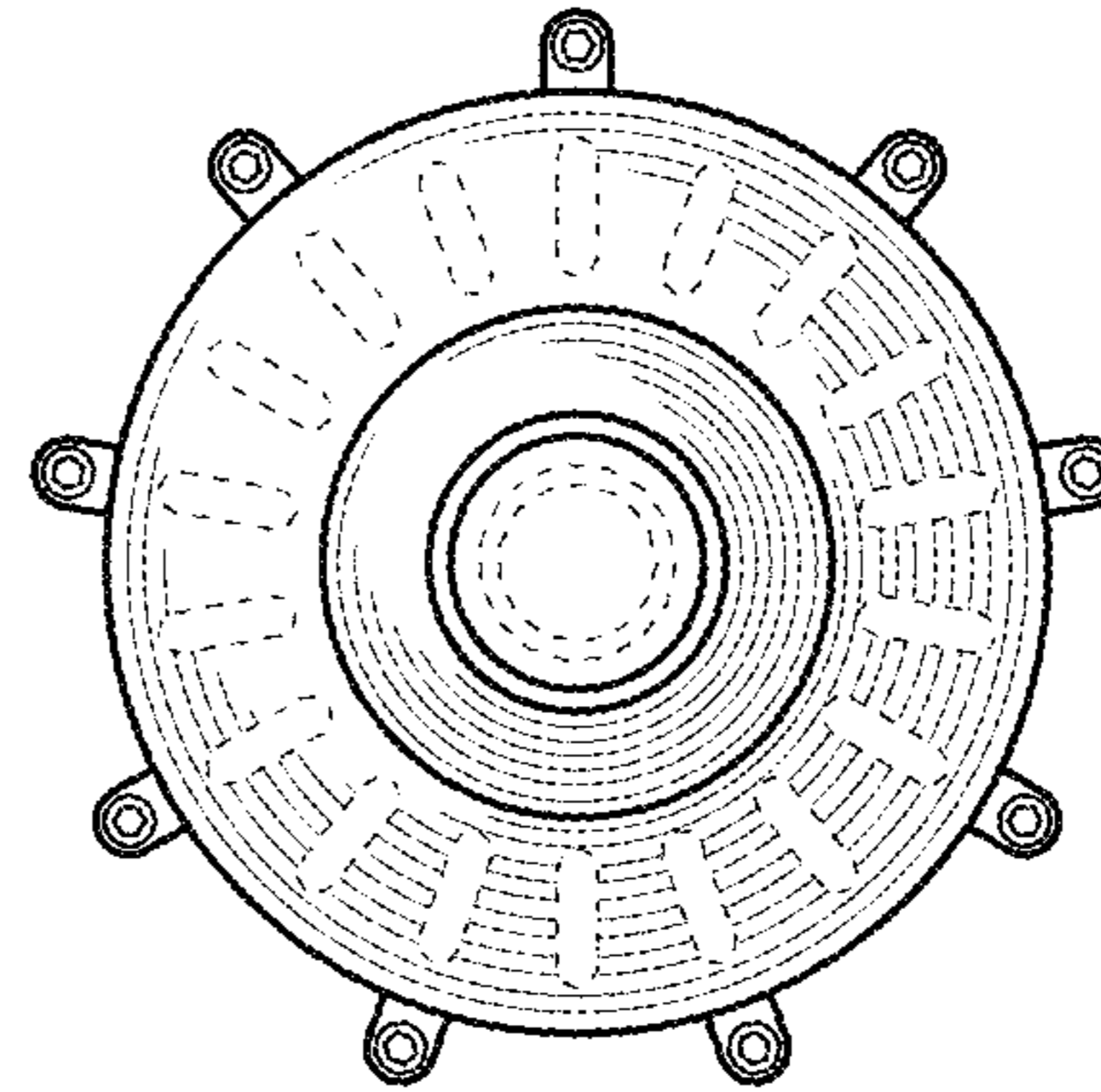


Fig.3

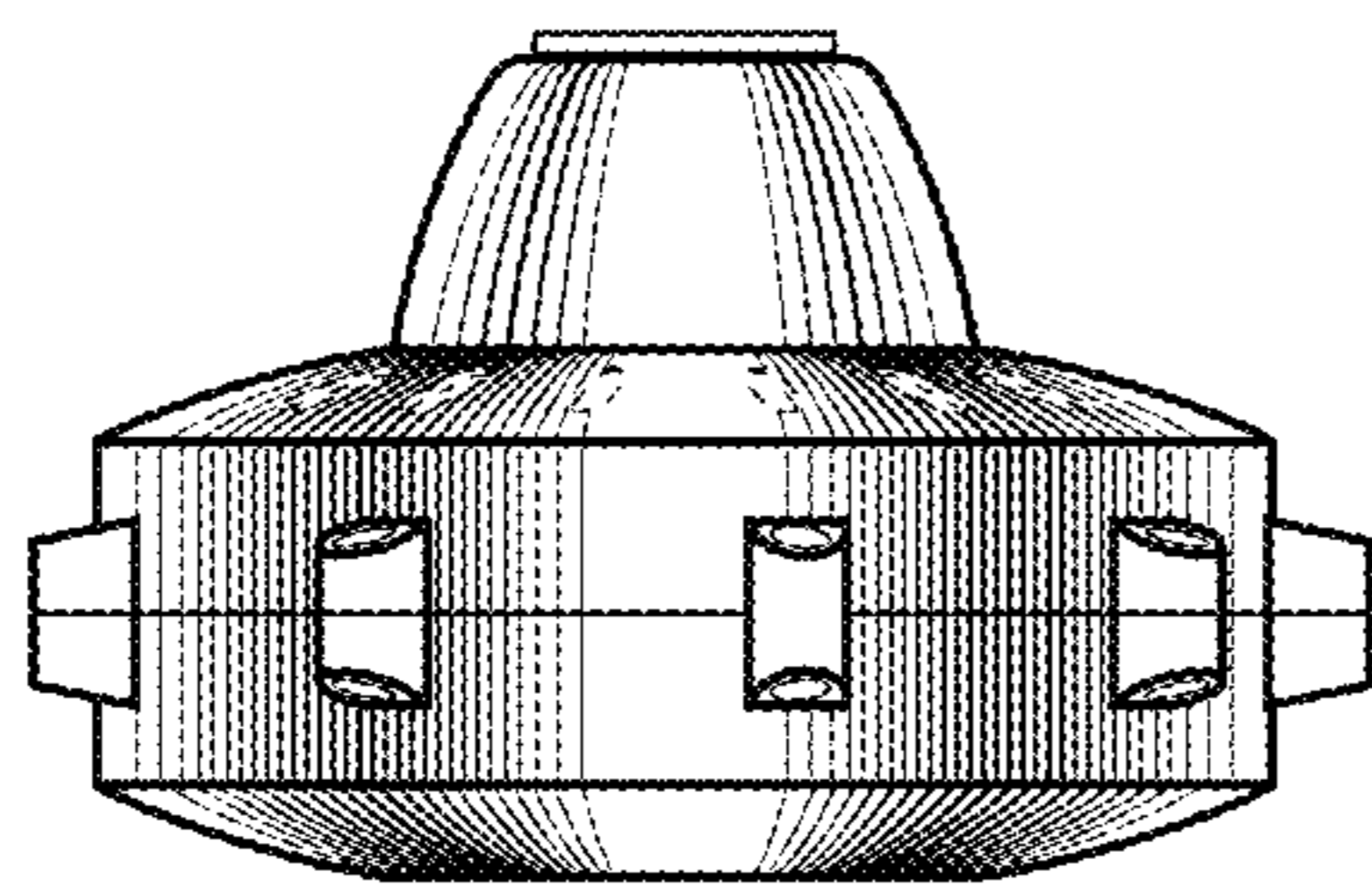


Fig.4

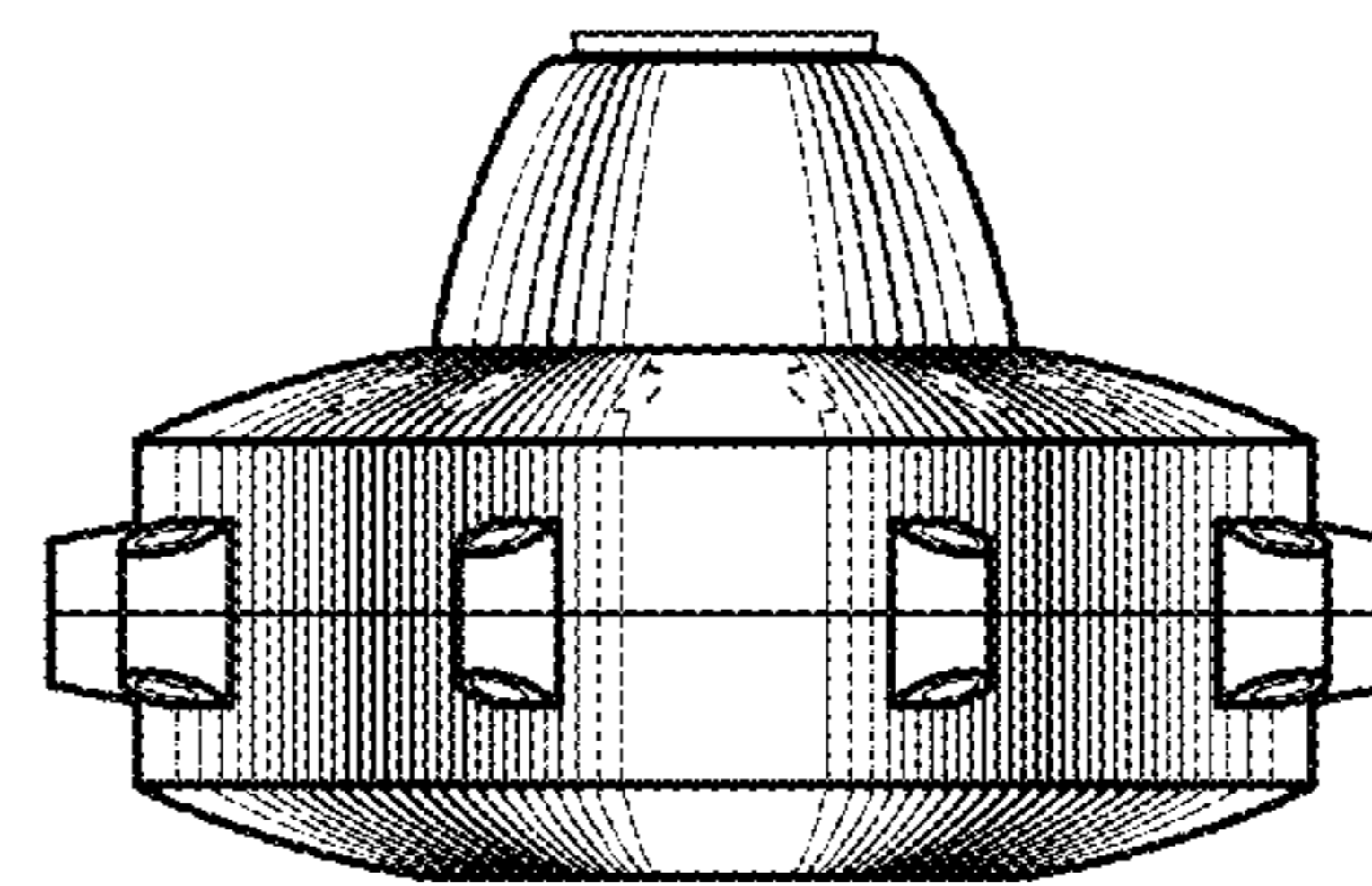


Fig.5

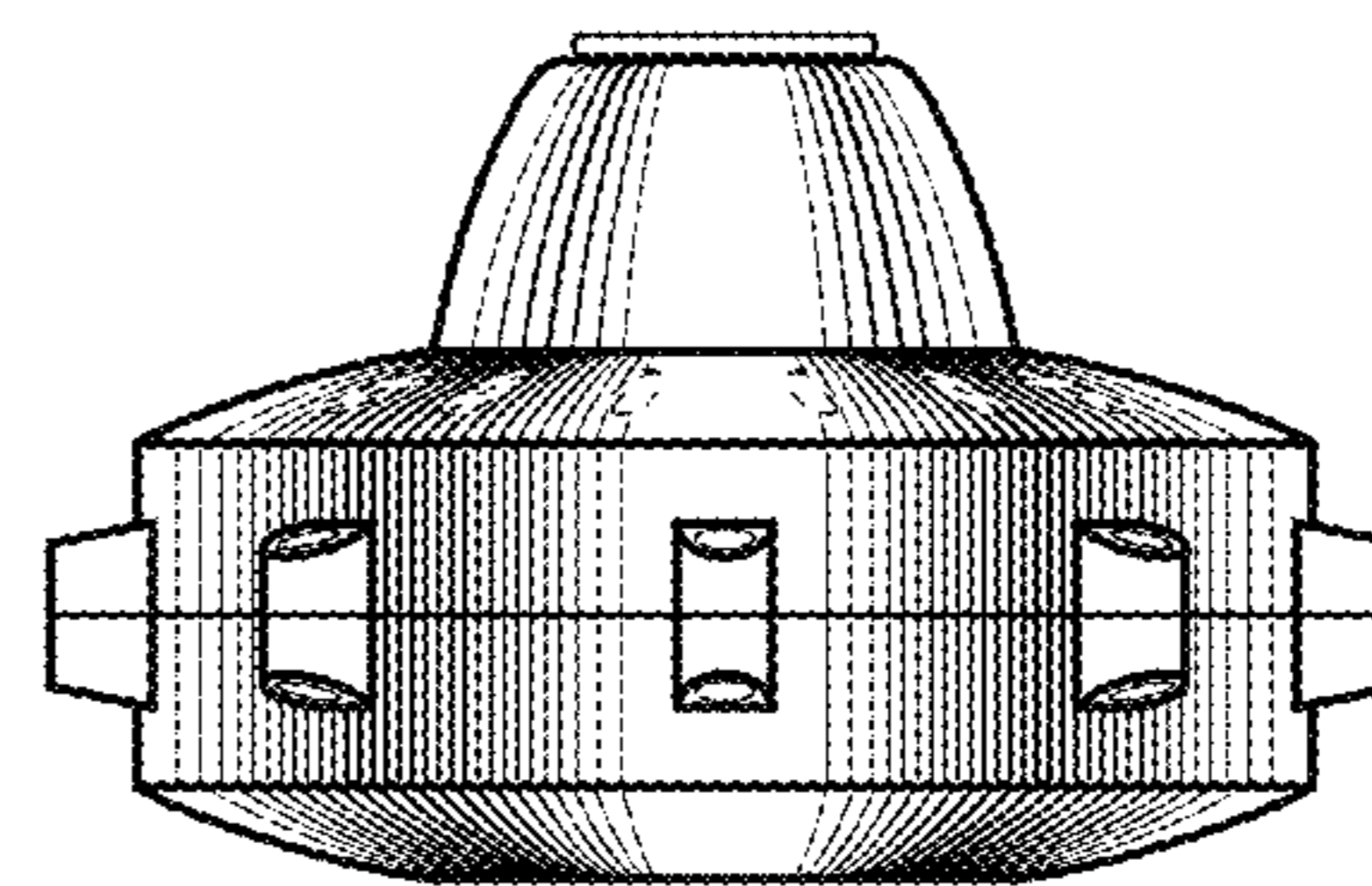


Fig.6