



US00D726297S

(12) **United States Design Patent**  
**Liu**

(10) **Patent No.:** **US D726,297 S**

(45) **Date of Patent:** **\*\* Apr. 7, 2015**

- (54) **CEILING FAN**
- (71) Applicant: **Ching-Wen Liu**, Taichung (TW)
- (72) Inventor: **Ching-Wen Liu**, Taichung (TW)
- (73) Assignee: **Pan Air Electric Co., Ltd.**, Taichung (TW)
- (\*\*) Term: **14 Years**
- (21) Appl. No.: **29/501,404**
- (22) Filed: **Sep. 4, 2014**

**Related U.S. Application Data**

- (63) Continuation-in-part of application No. 29/484,643, filed on Mar. 12, 2014, now Pat. No. Des. 716,438.
- (51) **LOC (10) Cl.** ..... **23-04**
- (52) **U.S. Cl.**  
USPC ..... **D23/377**
- (58) **Field of Classification Search**  
USPC ..... D23/377-385, 411-414, 386-394, 499;  
416/1, 5, 170 R, 214 R, 184, 206, 207,  
416/210 R, 220 R, 244 R, 248; 392/364;  
D26/59, 51, 72, 73, 80-86, 88, 90  
See application file for complete search history.

D345,790 S *	4/1994	Caldwell	.....	D23/377
D427,672 S *	7/2000	Lee	.....	D23/377
D458,673 S *	6/2002	Melwani	.....	D23/379
D476,406 S *	6/2003	Friedes	.....	D23/377
D478,161 S *	8/2003	Collmar	.....	D23/377
D478,162 S *	8/2003	Collmar	.....	D23/377
D521,142 S *	5/2006	Gerhardt et al.	.....	D23/377
D535,011 S *	1/2007	Gajewski	.....	D23/377
D536,083 S *	1/2007	Gajewski	.....	D23/377
D539,972 S *	4/2007	Layne	.....	D26/128
7,481,626 B2 *	1/2009	Gajewski	.....	416/220 A
D598,090 S *	8/2009	Pittman et al.	.....	D23/377
D605,751 S *	12/2009	Yang	.....	D23/377
D630,312 S *	1/2011	Spaulding	.....	D23/377
D632,381 S *	2/2011	Davenport et al.	.....	D23/377
D670,802 S *	11/2012	Wang	.....	D23/413
D671,203 S *	11/2012	Wang	.....	D23/377
D675,720 S *	2/2013	Martin Conillas	.....	D23/377
D678,499 S *	3/2013	Pan	.....	D23/411
D706,410 S *	6/2014	Pan	.....	D23/411
8,814,520 B2 *	8/2014	Russ et al.	.....	416/170 R
D716,438 S *	10/2014	Liu	.....	D23/377
2007/0104583 A1 *	5/2007	Gajewski	.....	416/210 R

\* cited by examiner

*Primary Examiner* — Susan Bennett Hattan

*Assistant Examiner* — Marie Fast Horse

(57) **CLAIM**

The ornamental design for a ceiling fan, as shown and described.

(56) **References Cited**

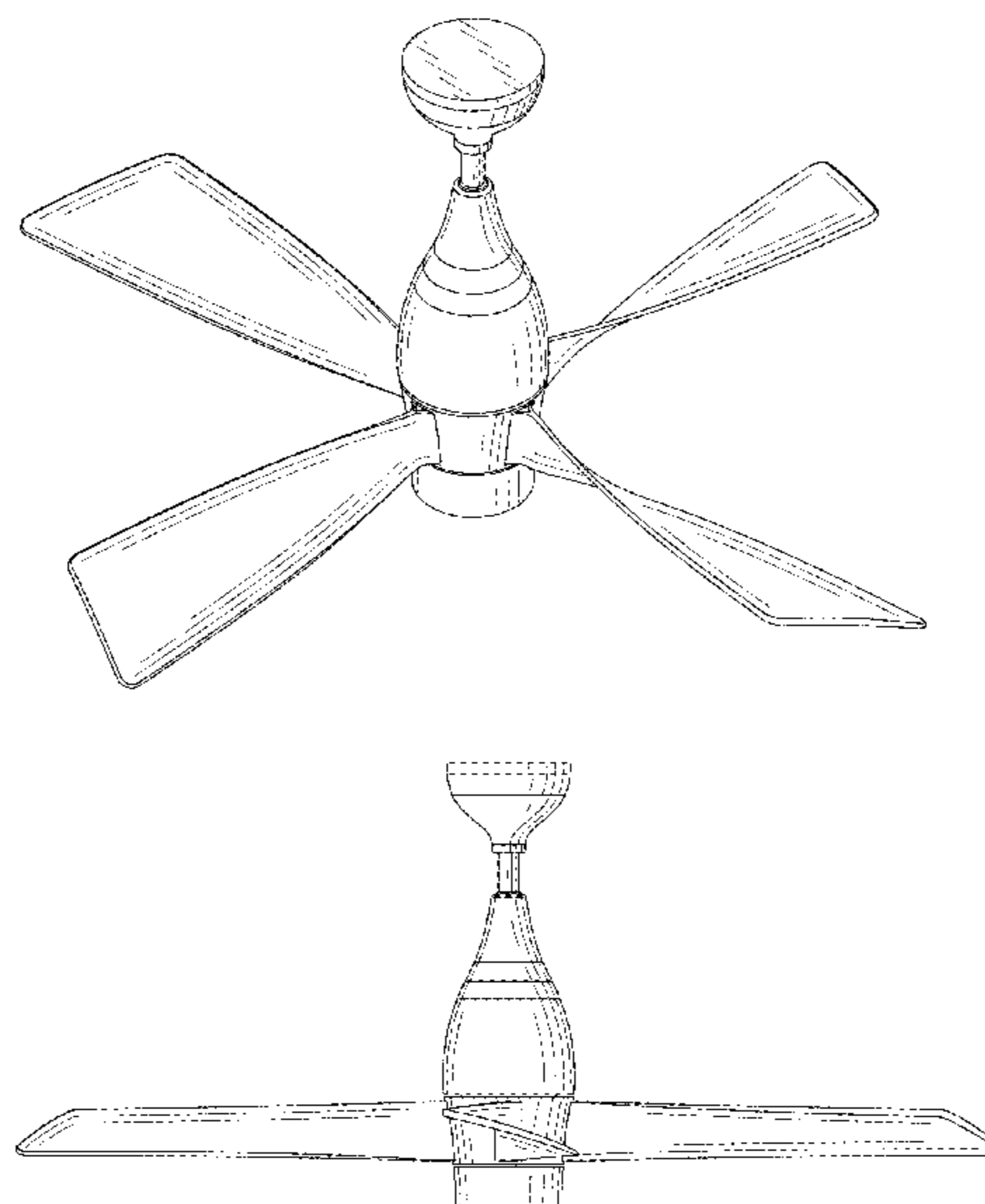
U.S. PATENT DOCUMENTS

794,010 A *	7/1905	Hayden	.....	416/207
4,477,228 A *	10/1984	Duffy et al.	.....	416/241 A
D290,748 S *	7/1987	Kawai	.....	D23/377
4,738,591 A *	4/1988	Butler	.....	416/129
D298,052 S *	10/1988	Sonneman	.....	D23/377
D303,425 S *	9/1989	Sonneman	.....	D23/385
5,067,877 A *	11/1991	Youssef	.....	416/220 R
5,112,193 A *	5/1992	Greer et al.	.....	416/220 R
5,135,365 A *	8/1992	Bogage	.....	417/423.15
D331,101 S *	11/1992	Rezek	.....	D23/377

**DESCRIPTION**

FIG. 1 is a perspective view of a ceiling fan illustrating my new design;  
 FIG. 2 is a front elevational view thereof;  
 FIG. 3 is a rear elevational view thereof;  
 FIG. 4 is a left side view thereof;  
 FIG. 5 is a right side view thereof;  
 FIG. 6 is a top plan view thereof; and,  
 FIG. 7 is a bottom plan view thereof.

**1 Claim, 5 Drawing Sheets**



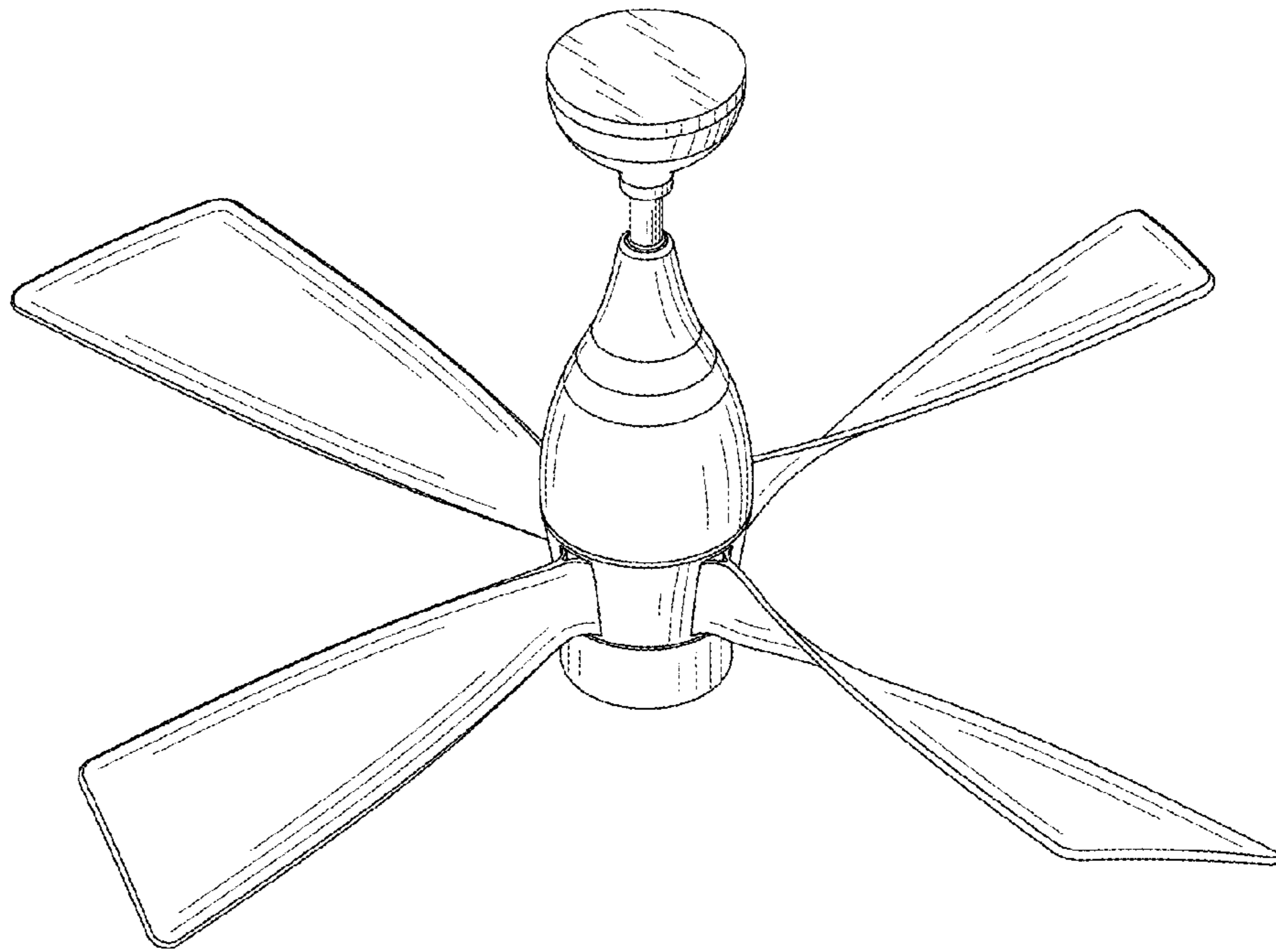


FIG.1

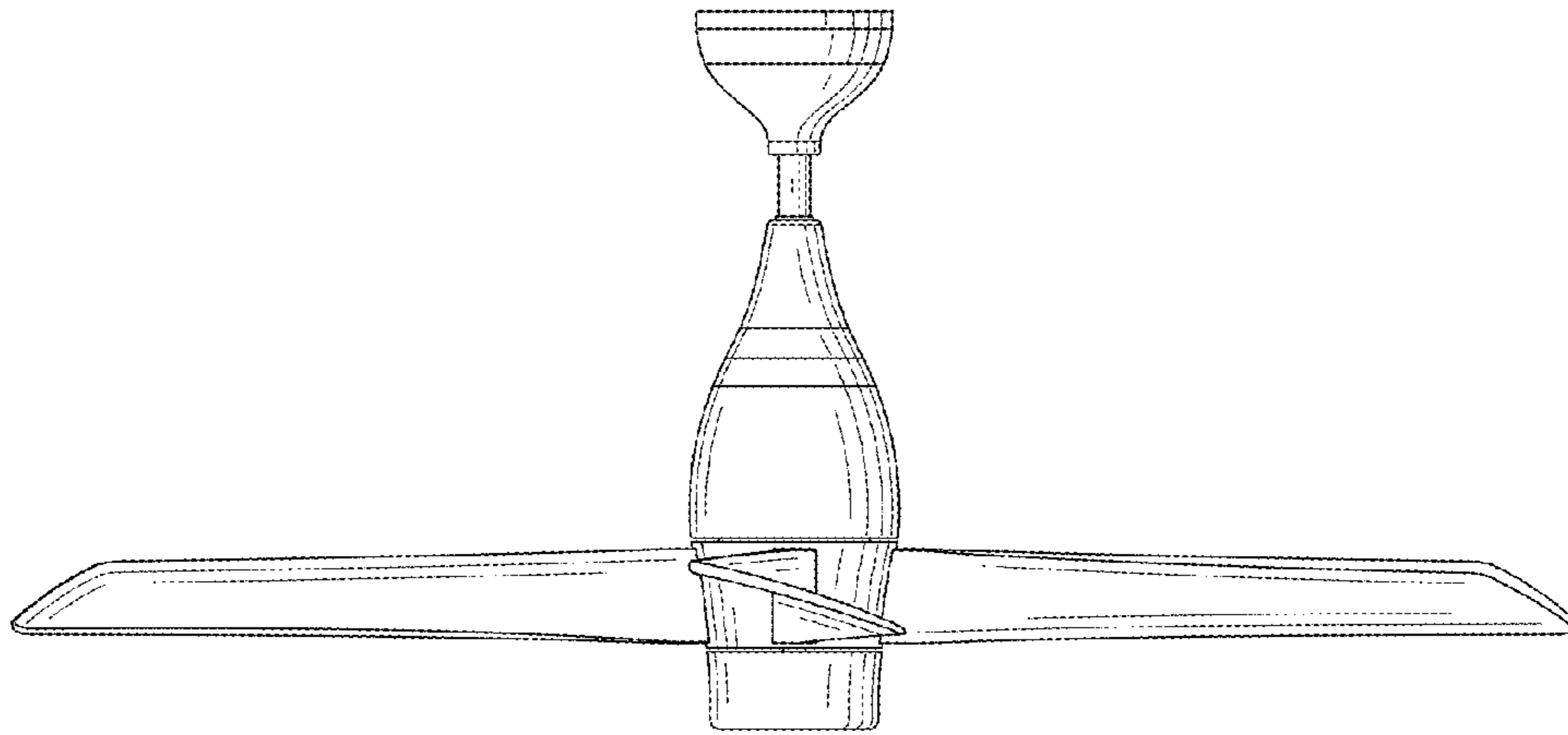


FIG. 2

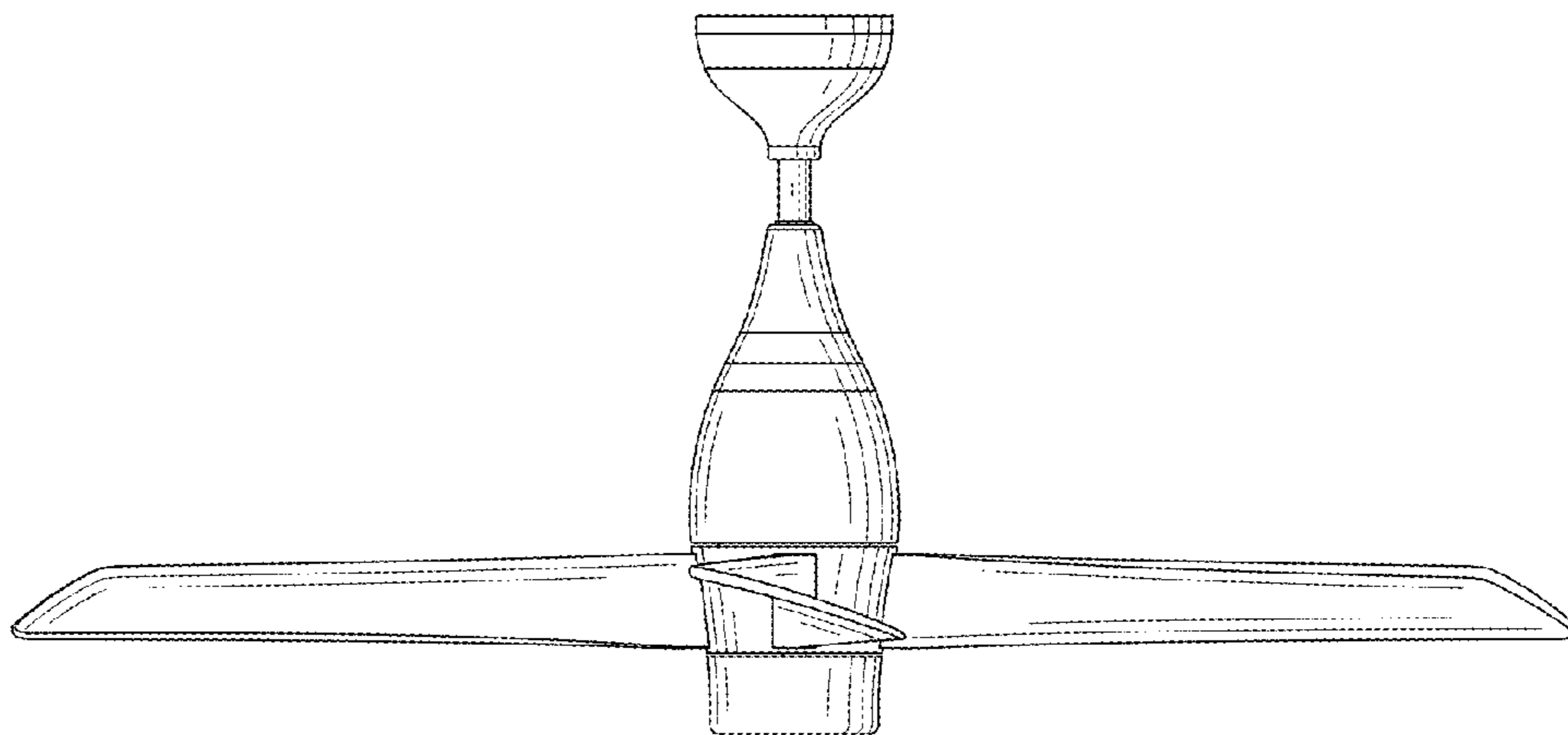


FIG. 3

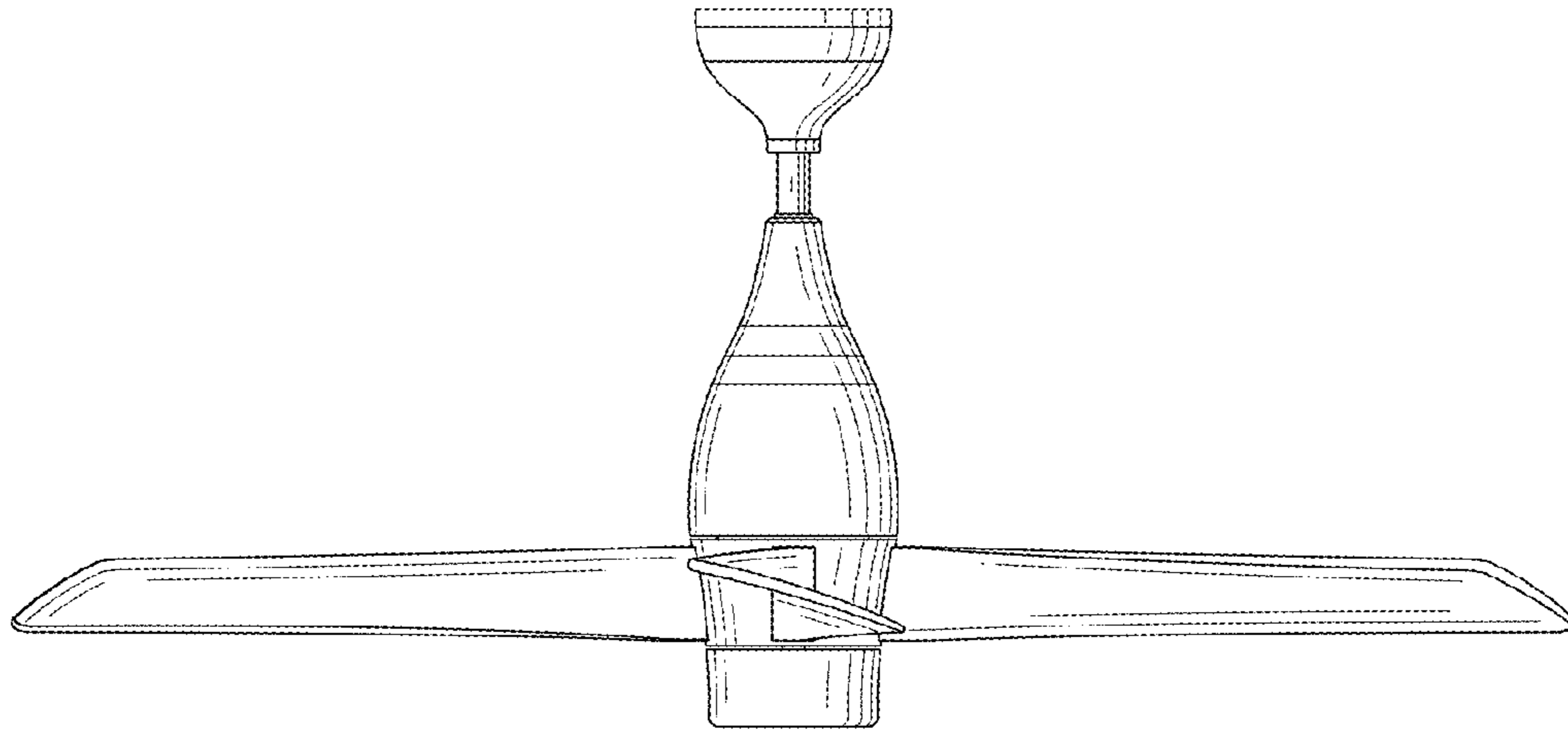


FIG. 4

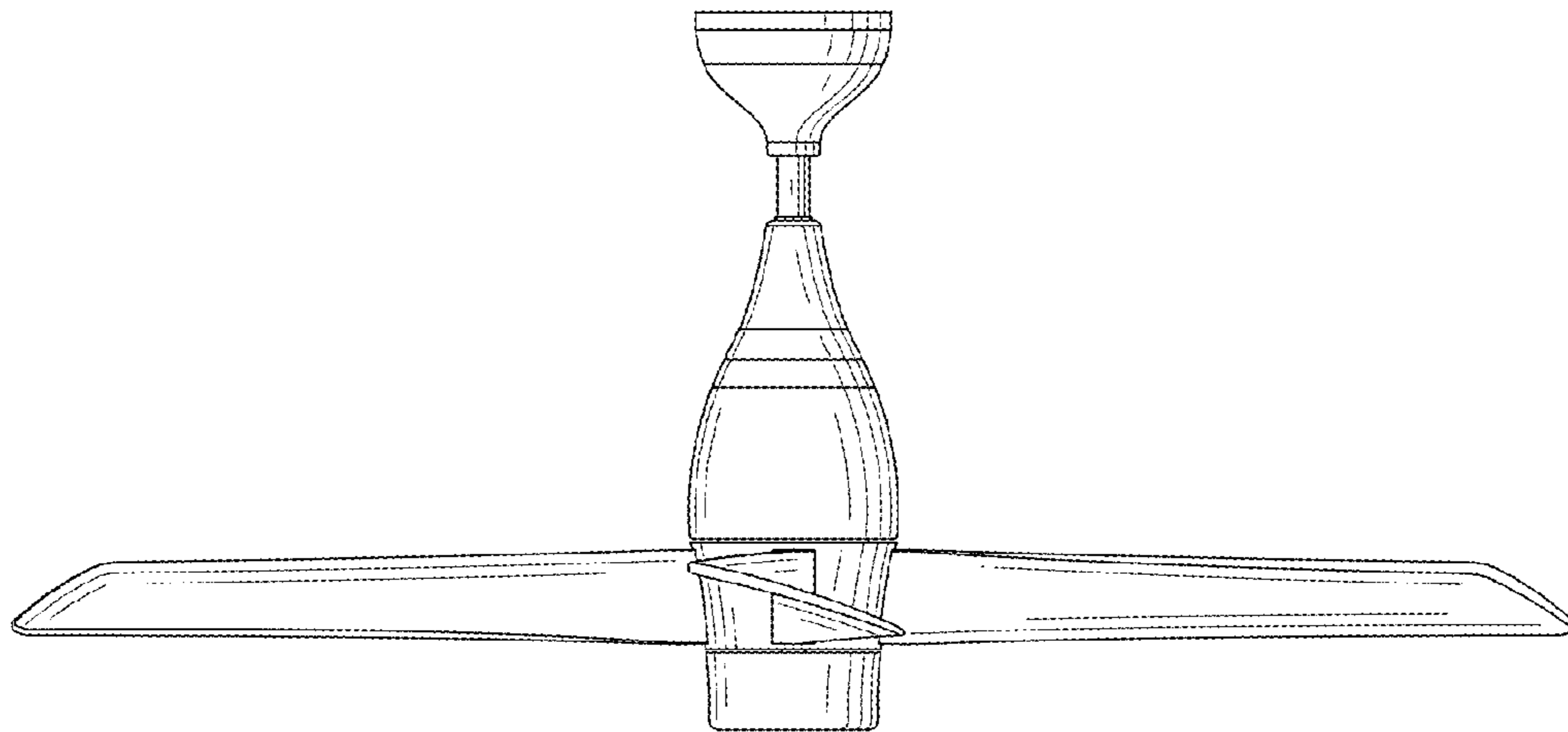


FIG. 5

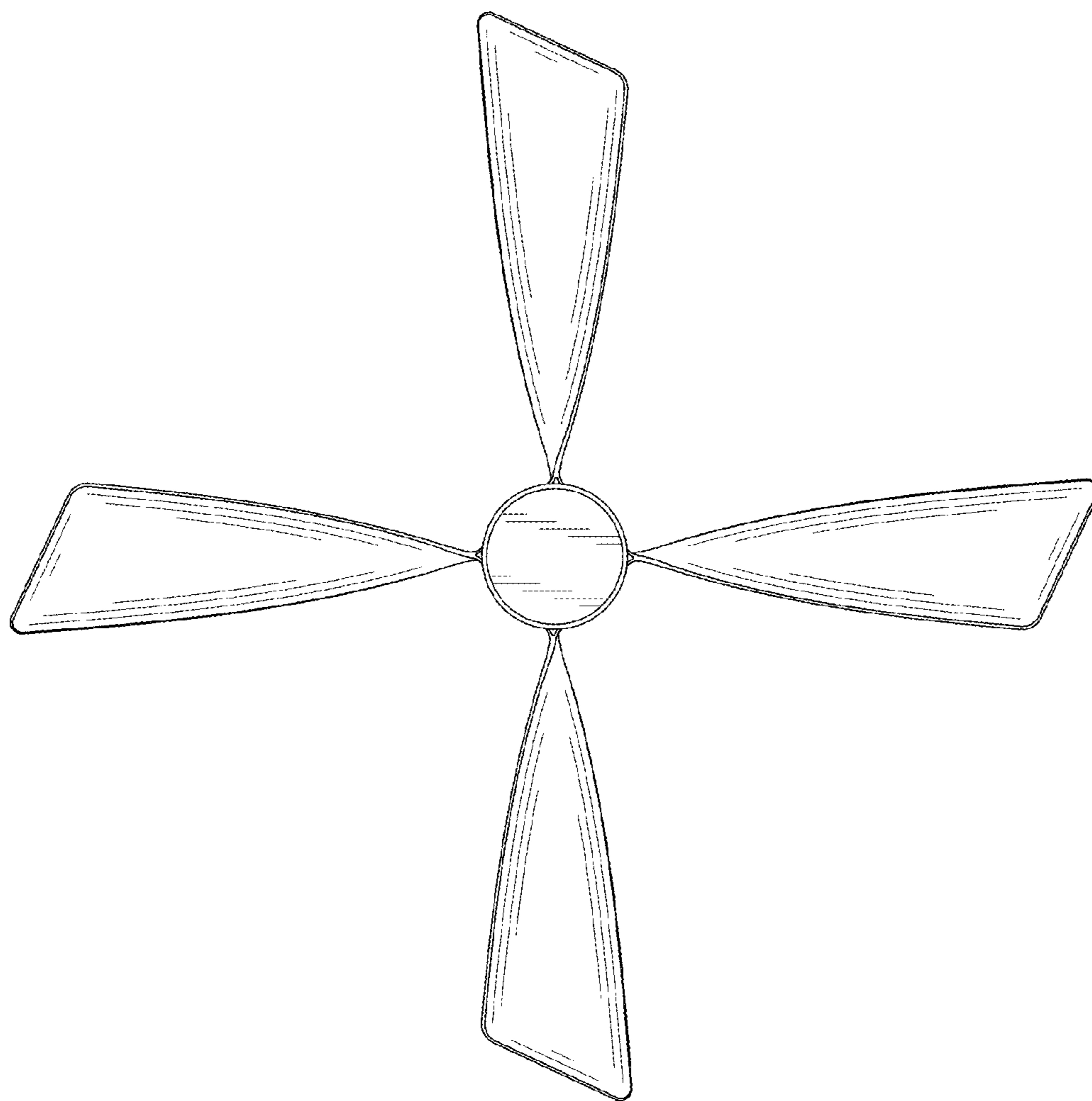


FIG.6

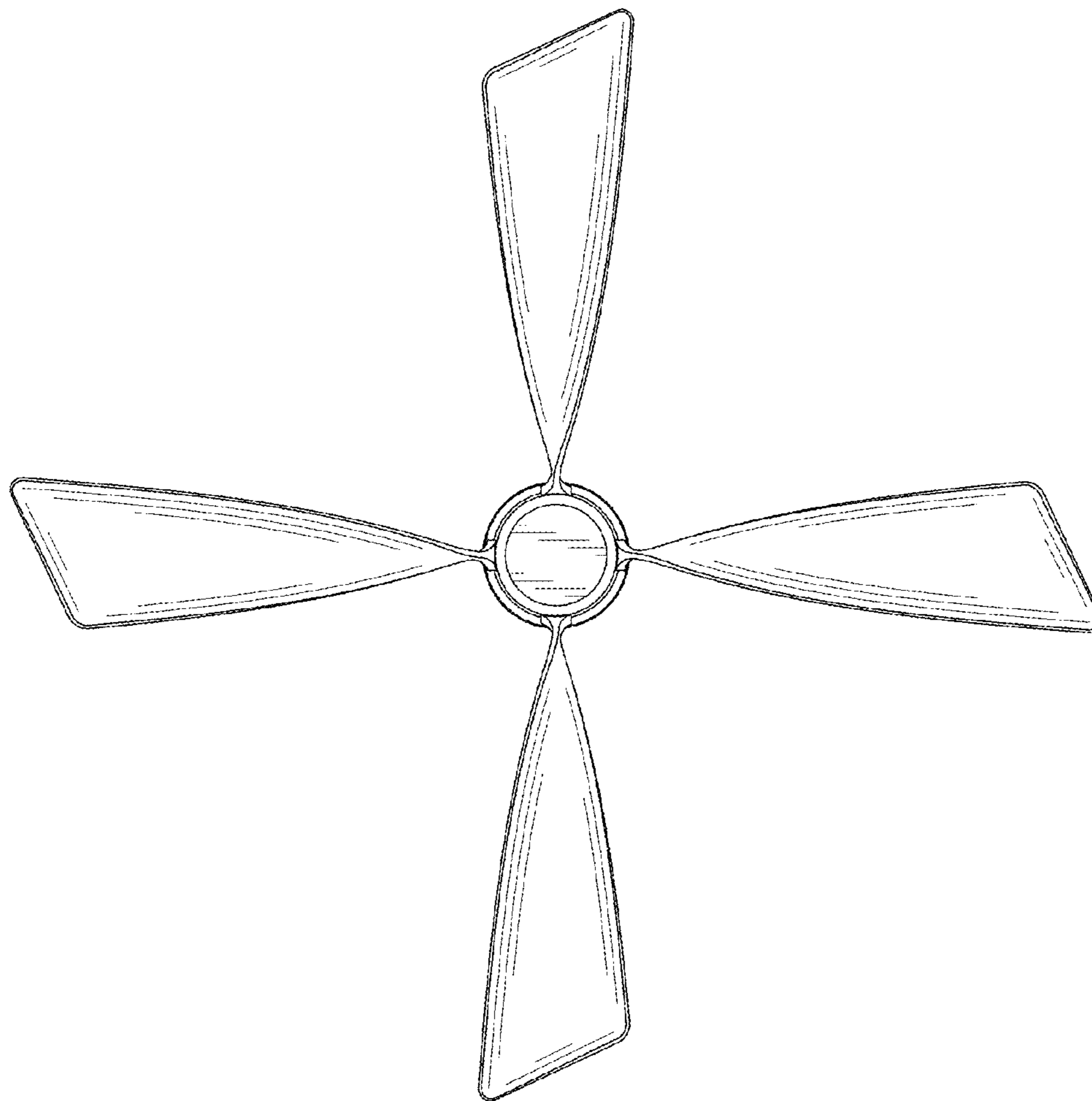


FIG. 7