



US00D726294S

(12) **United States Design Patent**
Bacigalupo

(10) **Patent No.:** **US D726,294 S**

(45) **Date of Patent:** **** Apr. 7, 2015**

(54) **PORTABLE WATER HEATER**

(71) Applicant: **Joseph G. Bacigalupo**, West Union, SC
(US)

(72) Inventor: **Joseph G. Bacigalupo**, West Union, SC
(US)

(**) Term: **14 Years**

(21) Appl. No.: **29/455,309**

(22) Filed: **May 20, 2013**

(51) **LOC (10) Cl.** **23-03**

(52) **U.S. Cl.**
USPC **D23/318**

(58) **Field of Classification Search**
USPC D23/314, 318, 319, 332; 392/362,
392/365-366, 373-376; 237/8 R, 8 B, 9 R,
237/16, 61-62, 56, 67
See application file for complete search history.

(56) **References Cited**

U.S. PATENT DOCUMENTS

- D226,380 S * 2/1973 Watts D23/321
- D533,263 S * 12/2006 Peckham D23/318
- 2004/0031449 A1* 2/2004 Long et al. 122/18.1

2010/0031900 A1* 2/2010 Consadori et al. 122/18.1

* cited by examiner

Primary Examiner — T. Chase Nelson

Assistant Examiner — Ania Aman

(74) *Attorney, Agent, or Firm* — John B. Hardaway, III;
Nexsen Pruet, LLC

(57) **CLAIM**

The ornamental design for a portable water heater, as shown and described.

DESCRIPTION

FIG. 1 is a perspective view of the portable water heater showing my design.

FIG. 2 is a front elevation view thereof.

FIG. 3 is a rear elevation view thereof.

FIG. 4 is a right elevation view thereof.

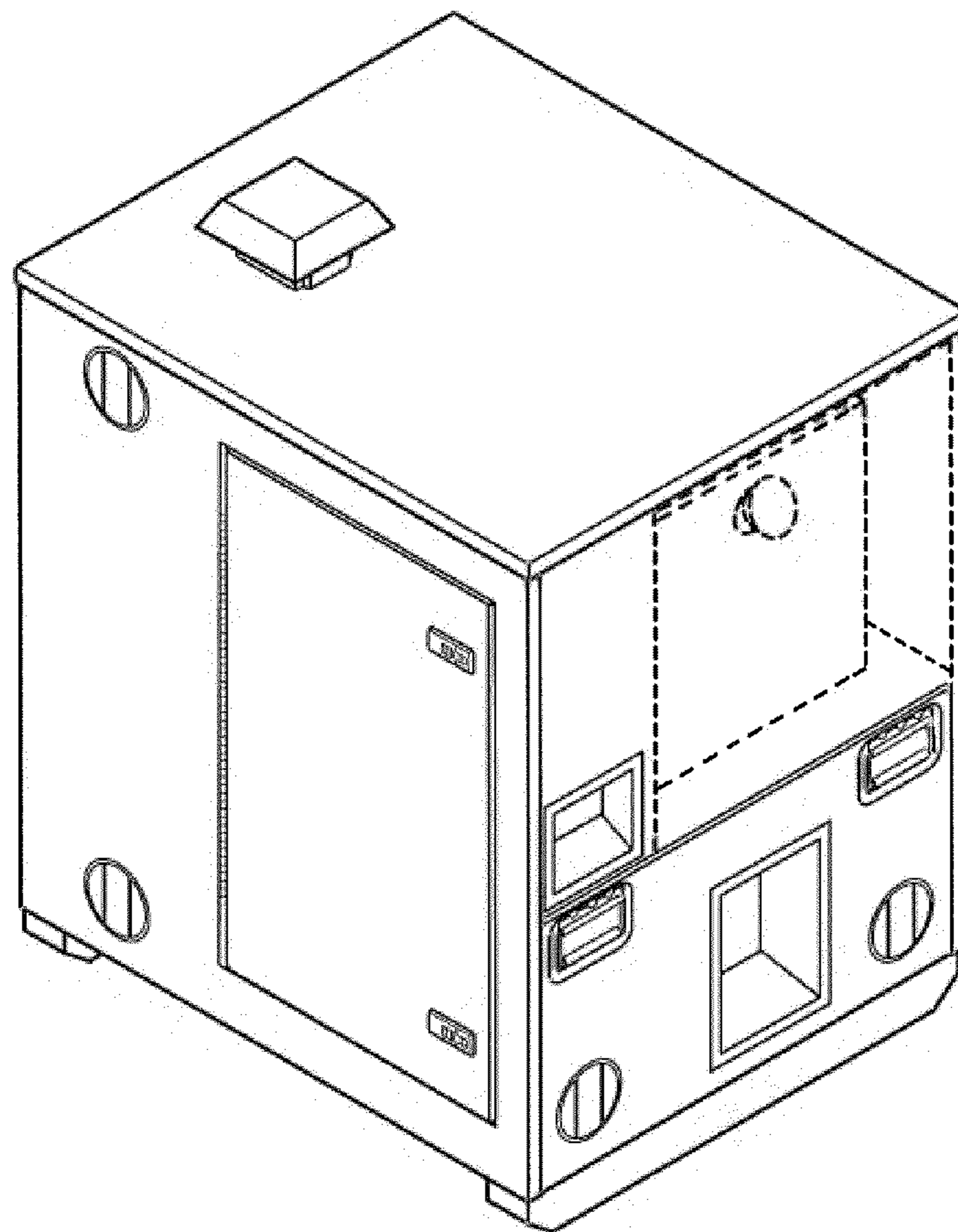
FIG. 5 is a left elevation view thereof.

FIG. 6 is a top view thereof; and,

FIG. 7 is a bottom view thereof.

The broken lines shown in the view depict environmental subject matter only and form no part of the claimed design.

1 Claim, 7 Drawing Sheets



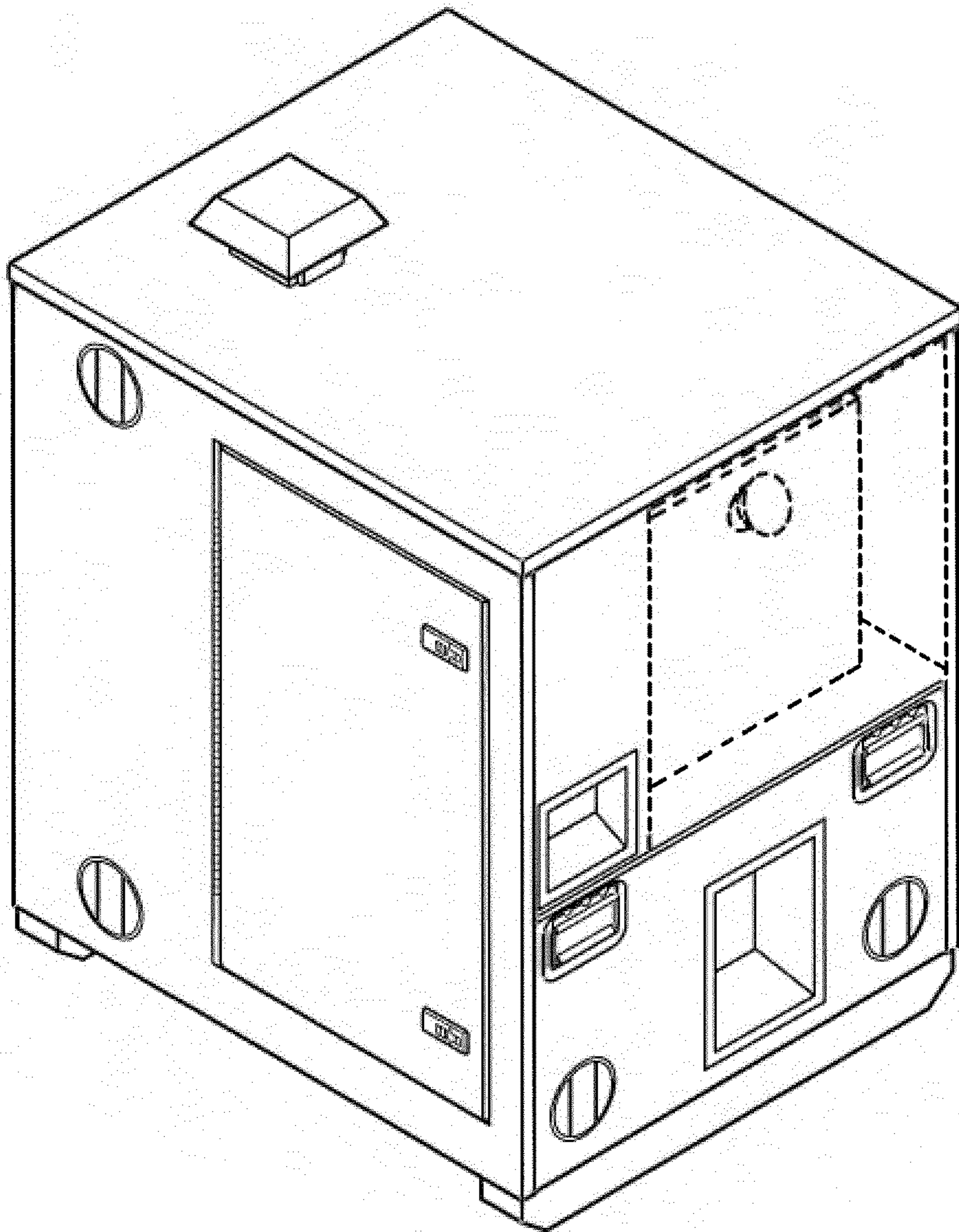


FIG. 1

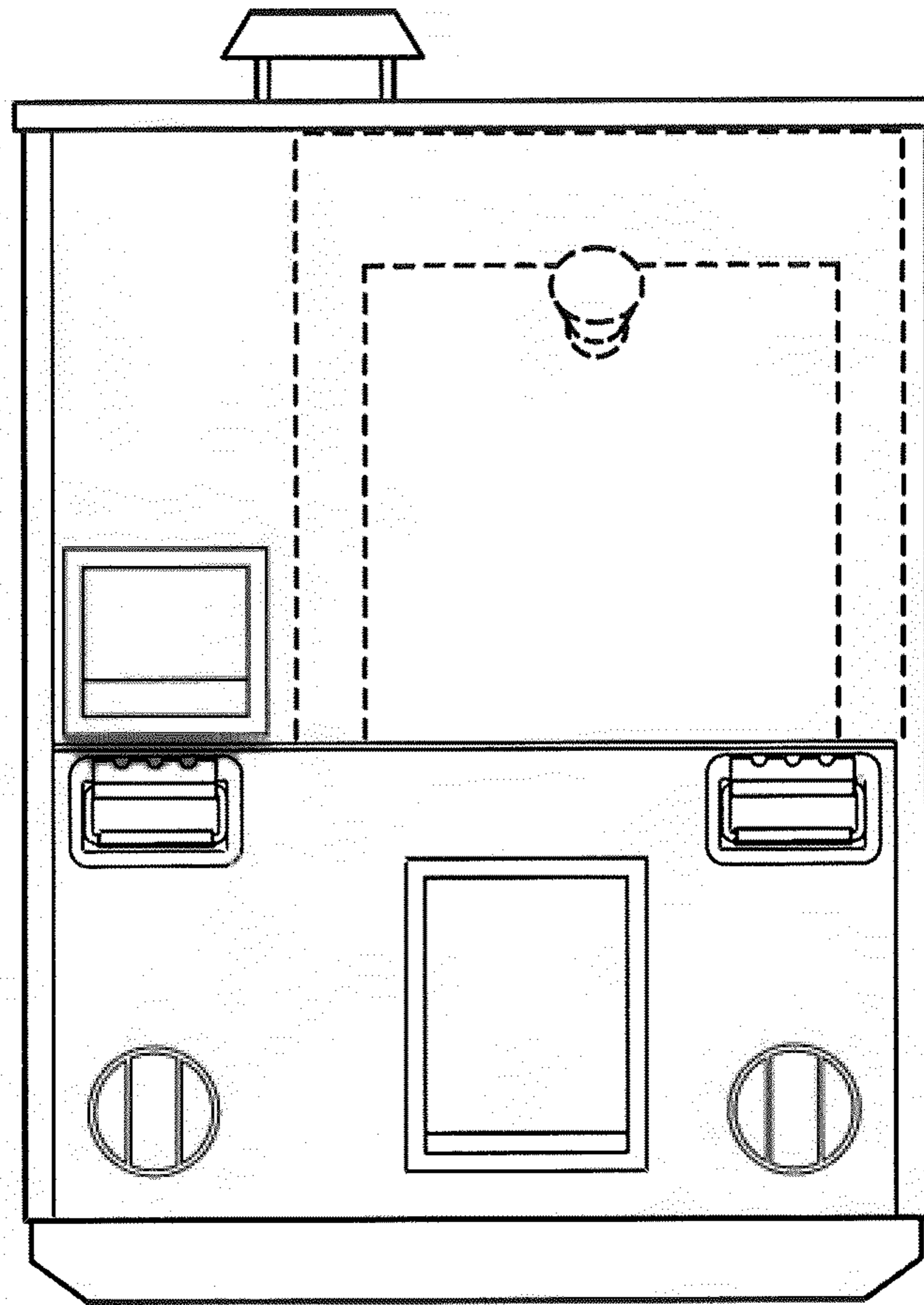


FIG. 2

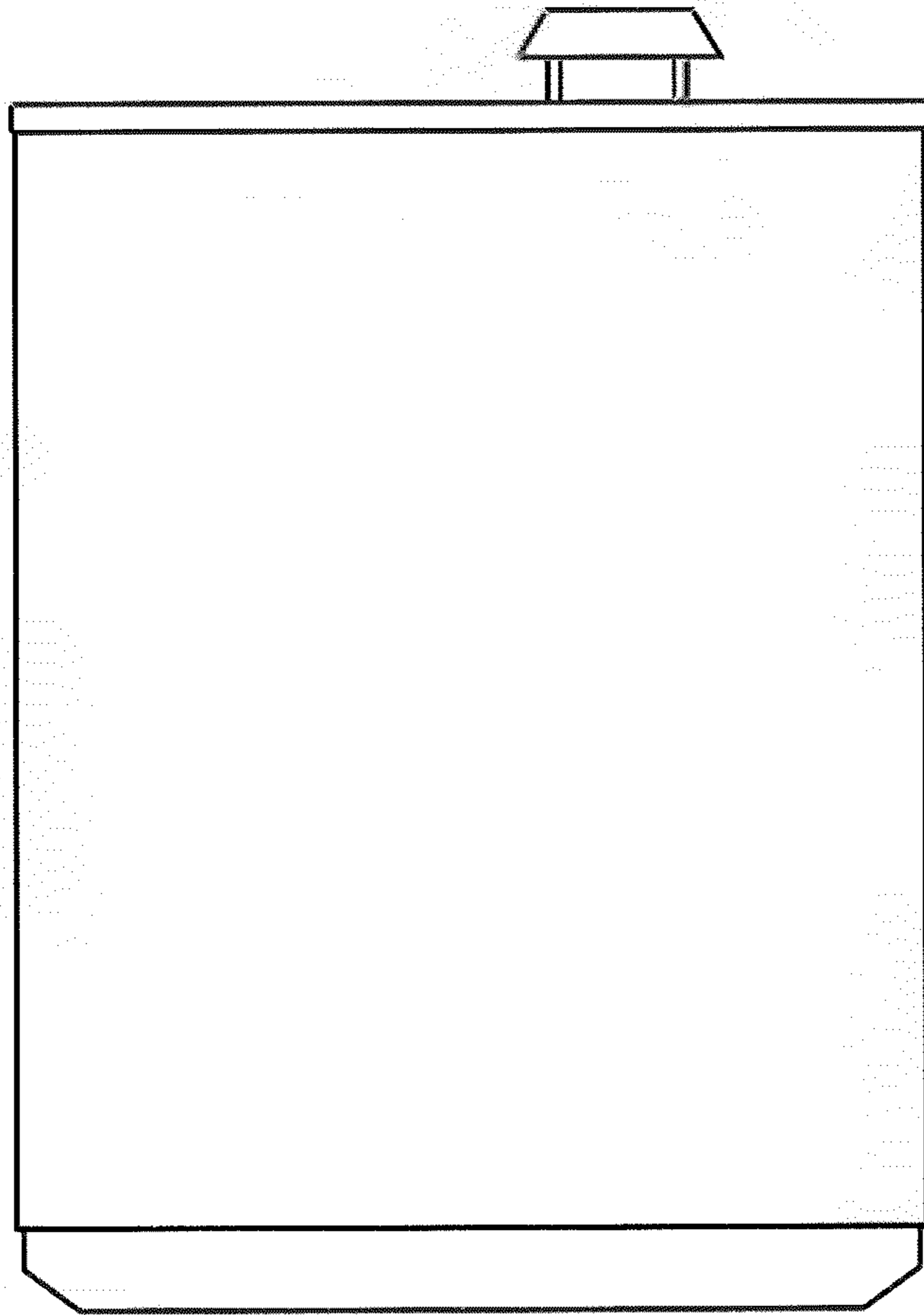


FIG. 3

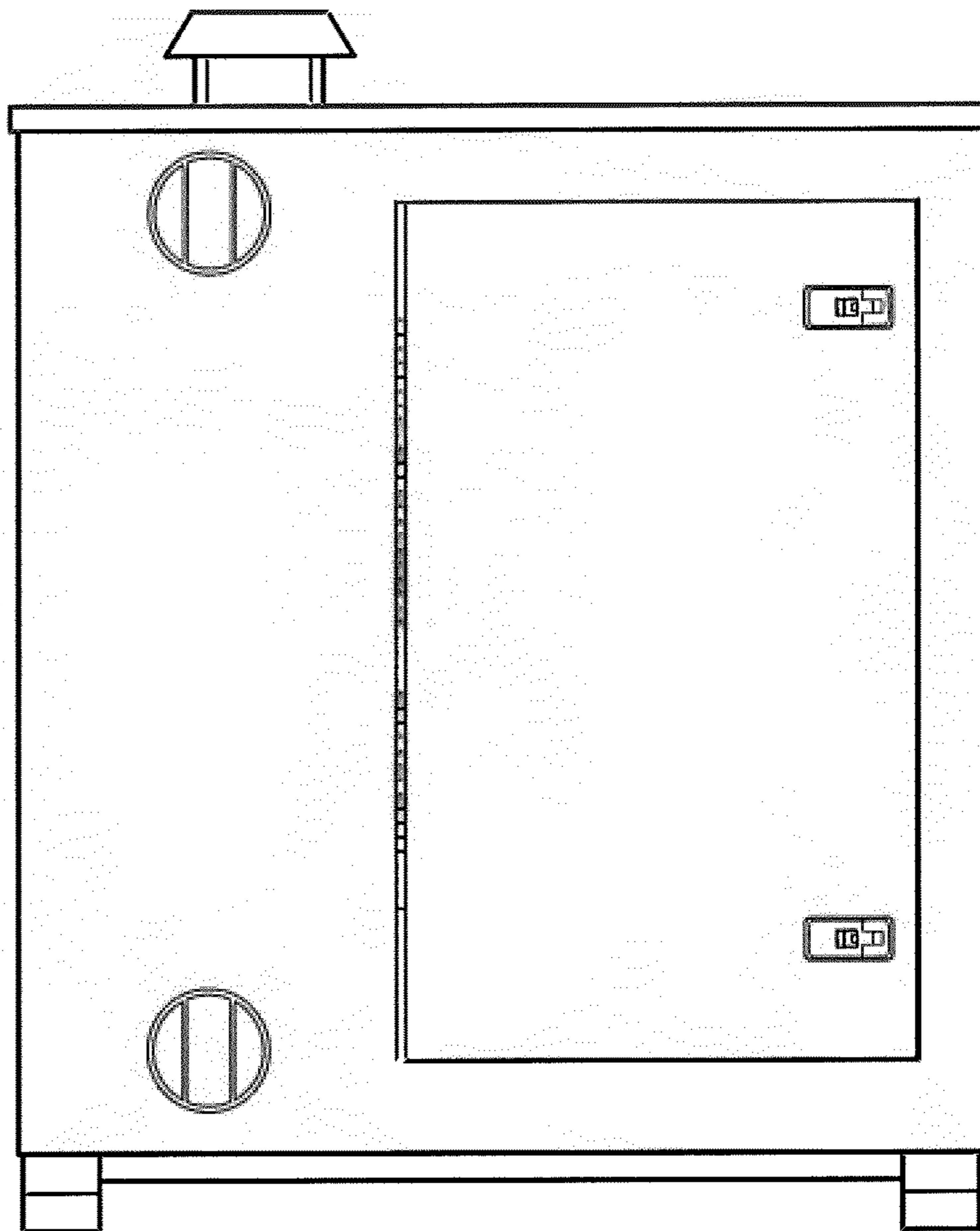


FIG. 4

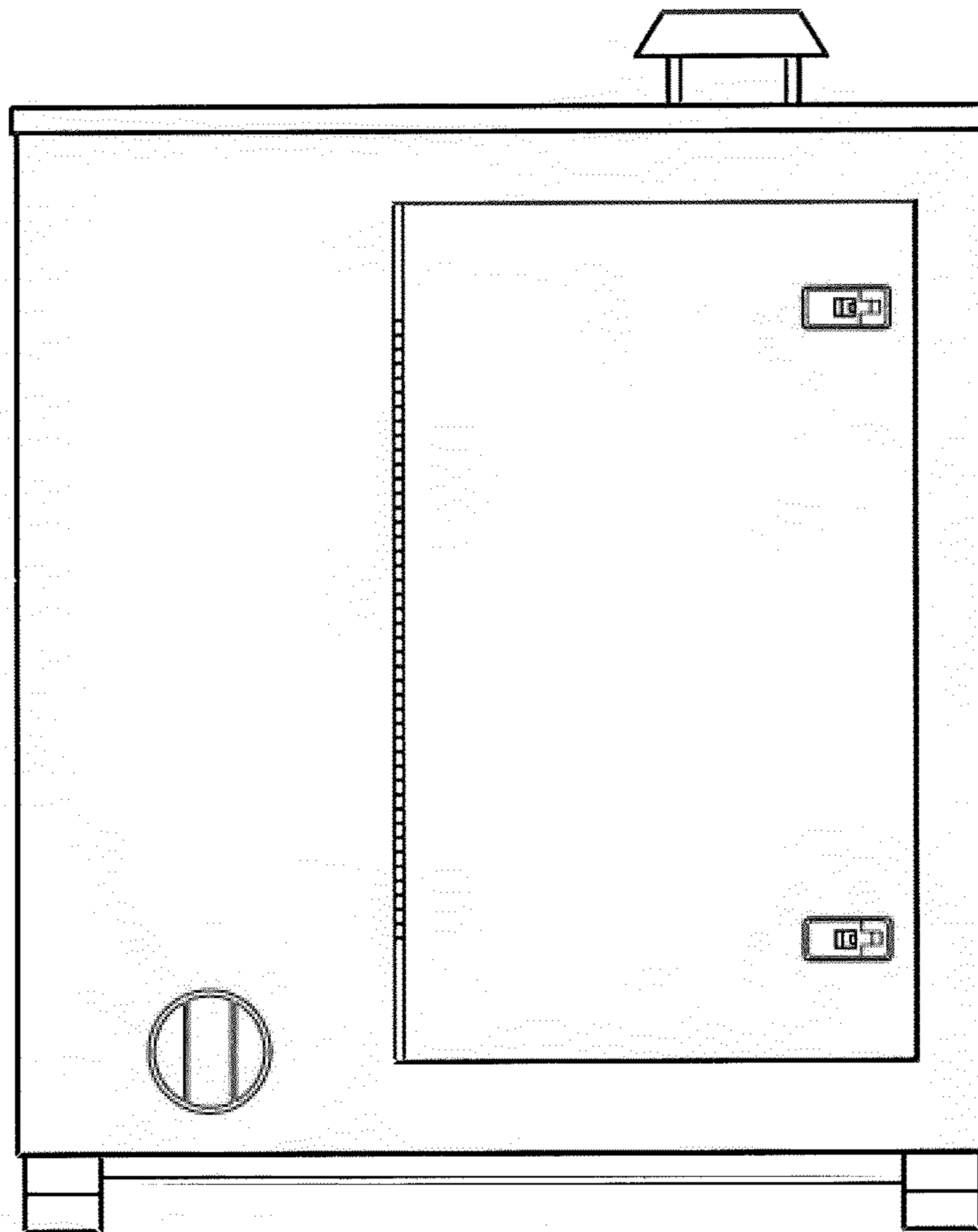


FIG. 5

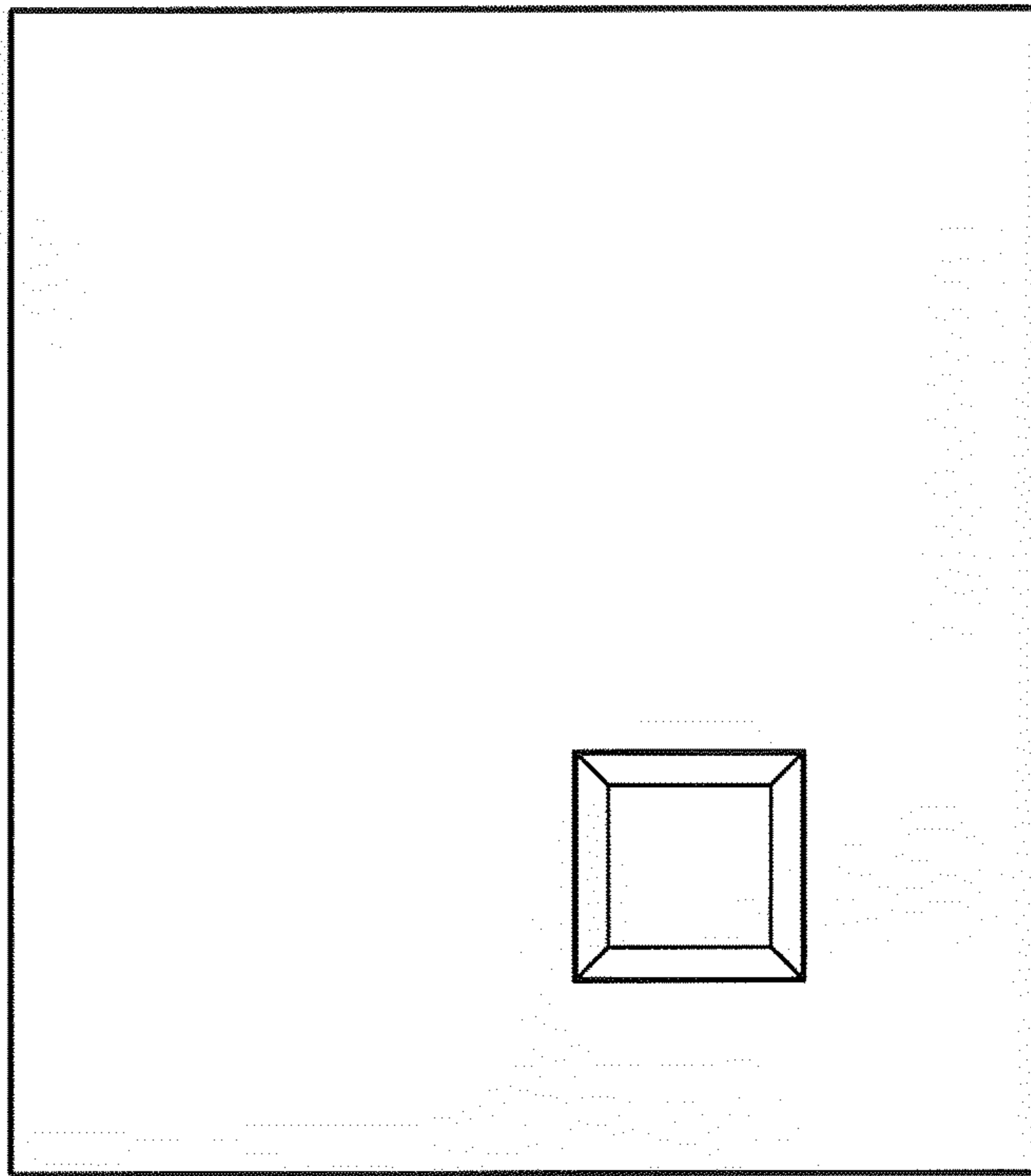


FIG. 6

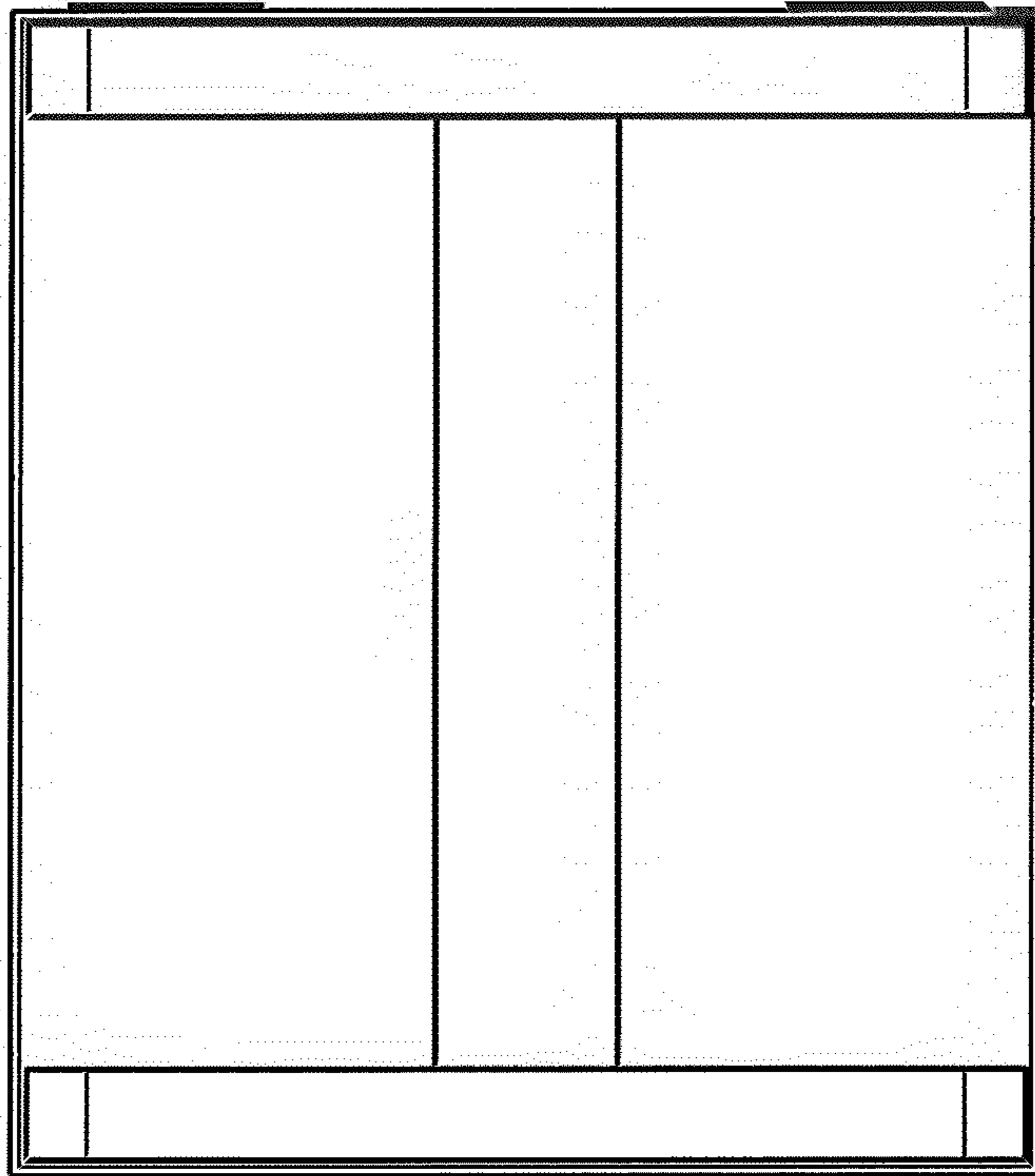


FIG. 7