



US00D726293S

(12) **United States Design Patent**  
**Spangler**

(10) **Patent No.:** **US D726,293 S**

(45) **Date of Patent:** **\*\* Apr. 7, 2015**

- (54) **TUB**
- (71) Applicant: **Masco Corporation of Indiana,**  
Indianapolis, IN (US)
- (72) Inventor: **Anthony Spangler,** Indianapolis, IN  
(US)
- (73) Assignee: **Masco Corporation of Indiana,**  
Indianapolis, IN (US)
- (\*\*) Term: **14 Years**
- (21) Appl. No.: **29/483,793**
- (22) Filed: **Mar. 3, 2014**
- (51) **LOC (10) Cl.** ..... **23-02**
- (52) **U.S. Cl.**  
USPC ..... **D23/277**
- (58) **Field of Classification Search**  
CPC ..... A47K 4/00; A47K 3/02  
USPC ..... D23/275, 277, 280.1, 303-304, 306;  
4/663-665, 538  
See application file for complete search history.

- D227,101 S \* 6/1973 Primault ..... D23/280.3
- 3,999,224 A \* 12/1976 Kollsman ..... 4/583
- D319,490 S \* 8/1991 Stairs, Jr. .... D23/277
- D539,392 S \* 3/2007 Hood ..... D23/277
- D595,816 S \* 7/2009 Flores ..... D23/277
- D646,365 S \* 10/2011 Parekh ..... D23/290

\* cited by examiner

*Primary Examiner* — Robert Delehanty

(74) *Attorney, Agent, or Firm* — Edgar A. Zarins; Nirav D. Parikh

(57) **CLAIM**

The ornamental design for a tub, as shown and described.

**DESCRIPTION**

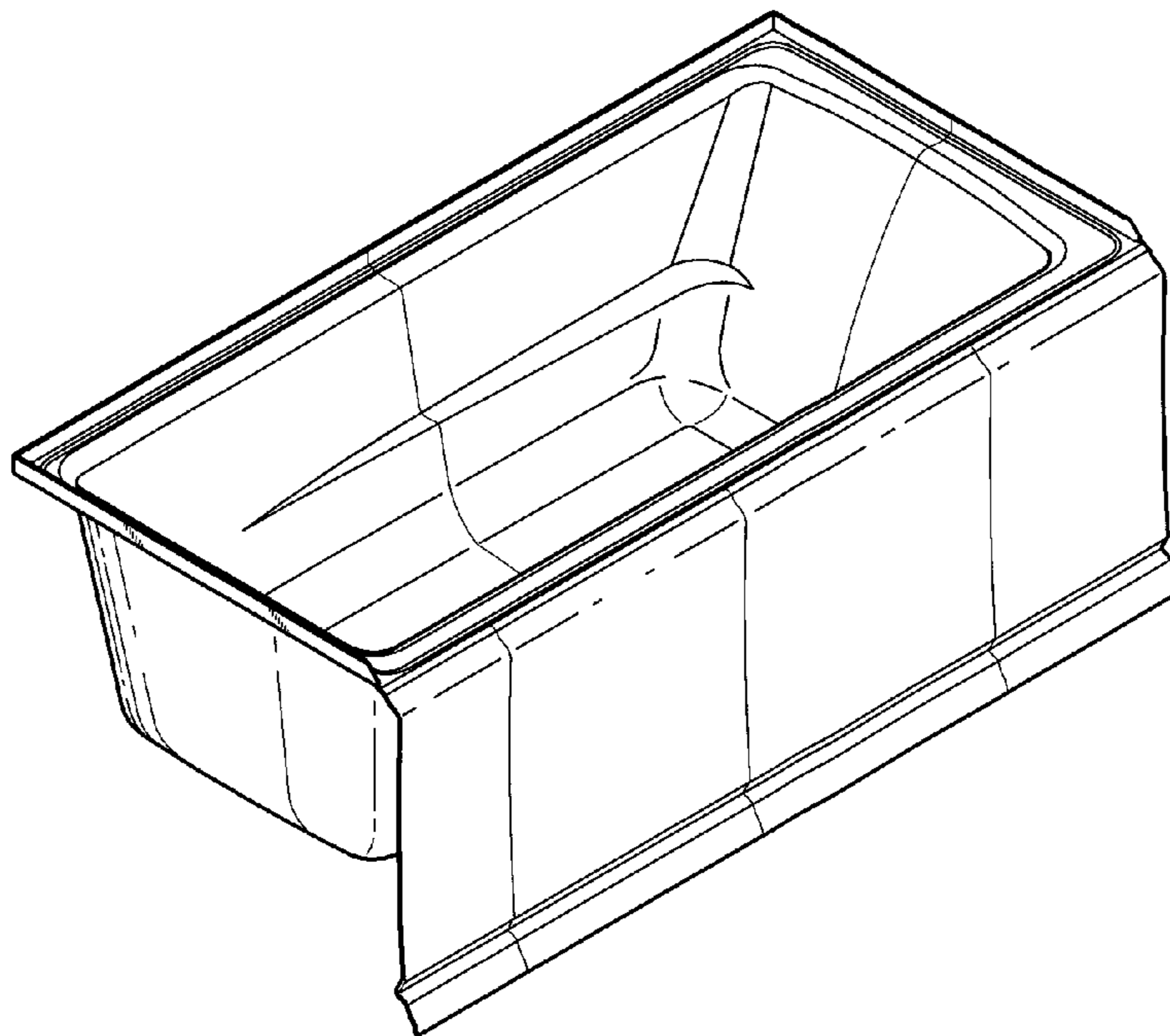
FIG. 1 is a perspective view of a tub showing my new design;  
 FIG. 2 is a top plan view thereof;  
 FIG. 3 is a front elevational view thereof;  
 FIG. 4 is a bottom view thereof;  
 FIG. 5 is a rear view thereof;  
 FIG. 6 is a first end view thereof; and,  
 FIG. 7 is a second end view thereof.  
 The broken lines showing a plumbing drain hole are included for the purpose of illustrating a portion of the tub that forms no part of the claimed design.

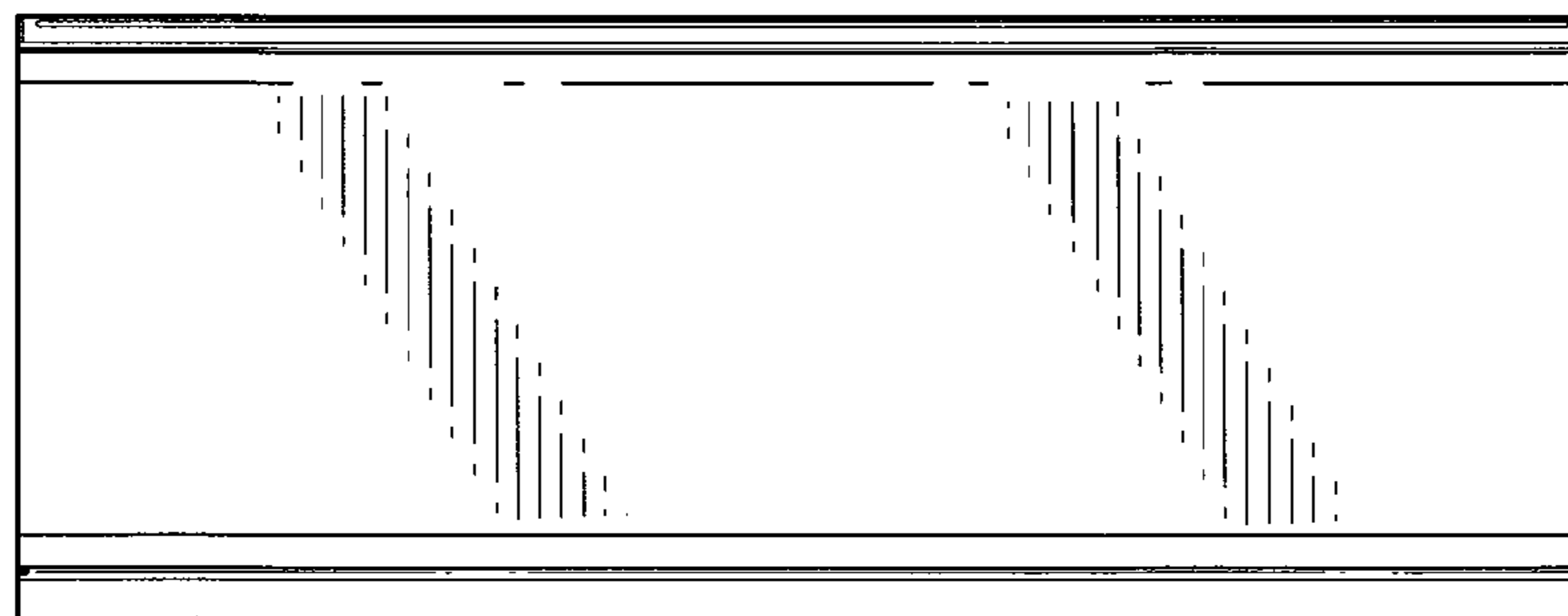
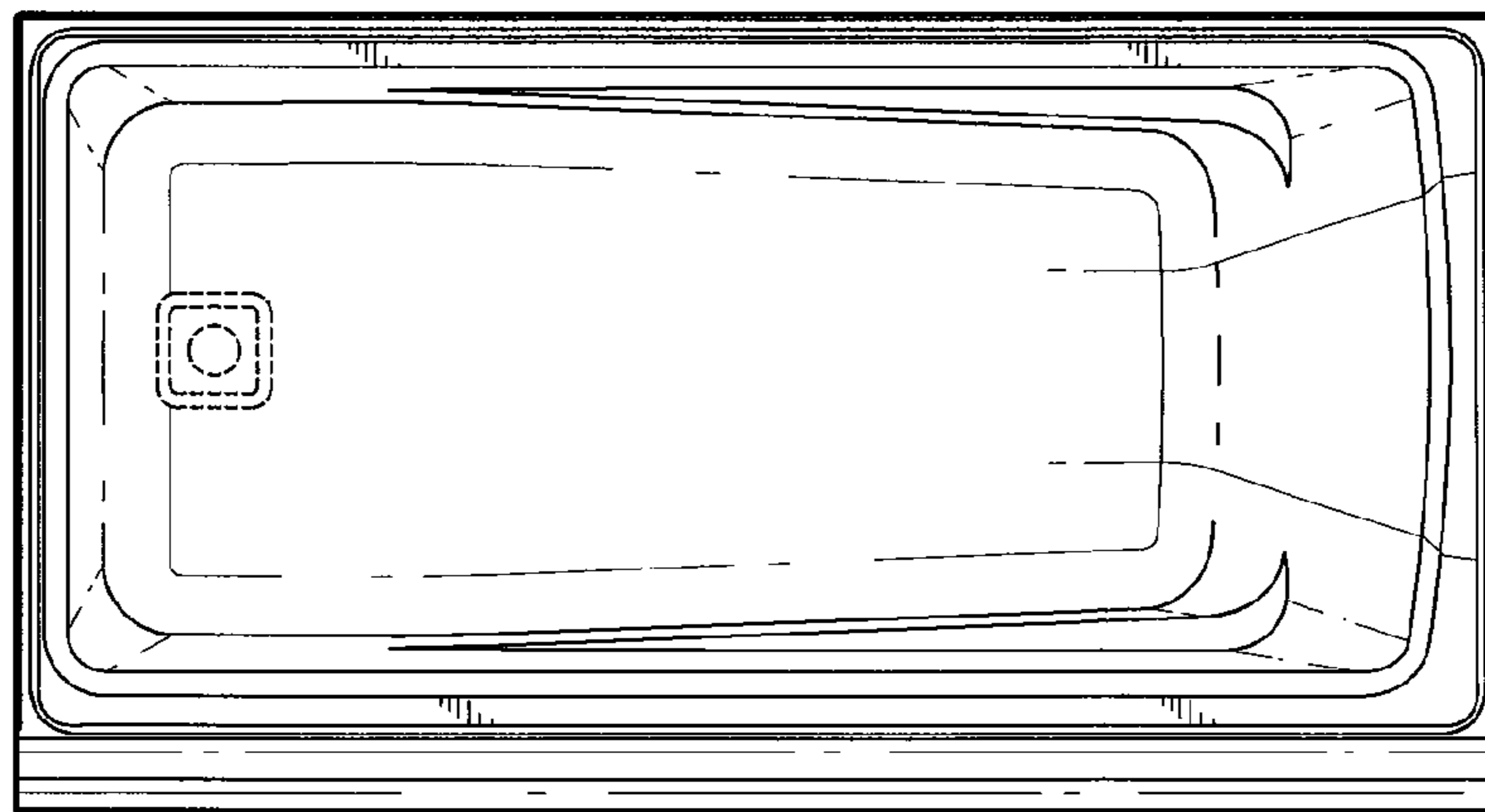
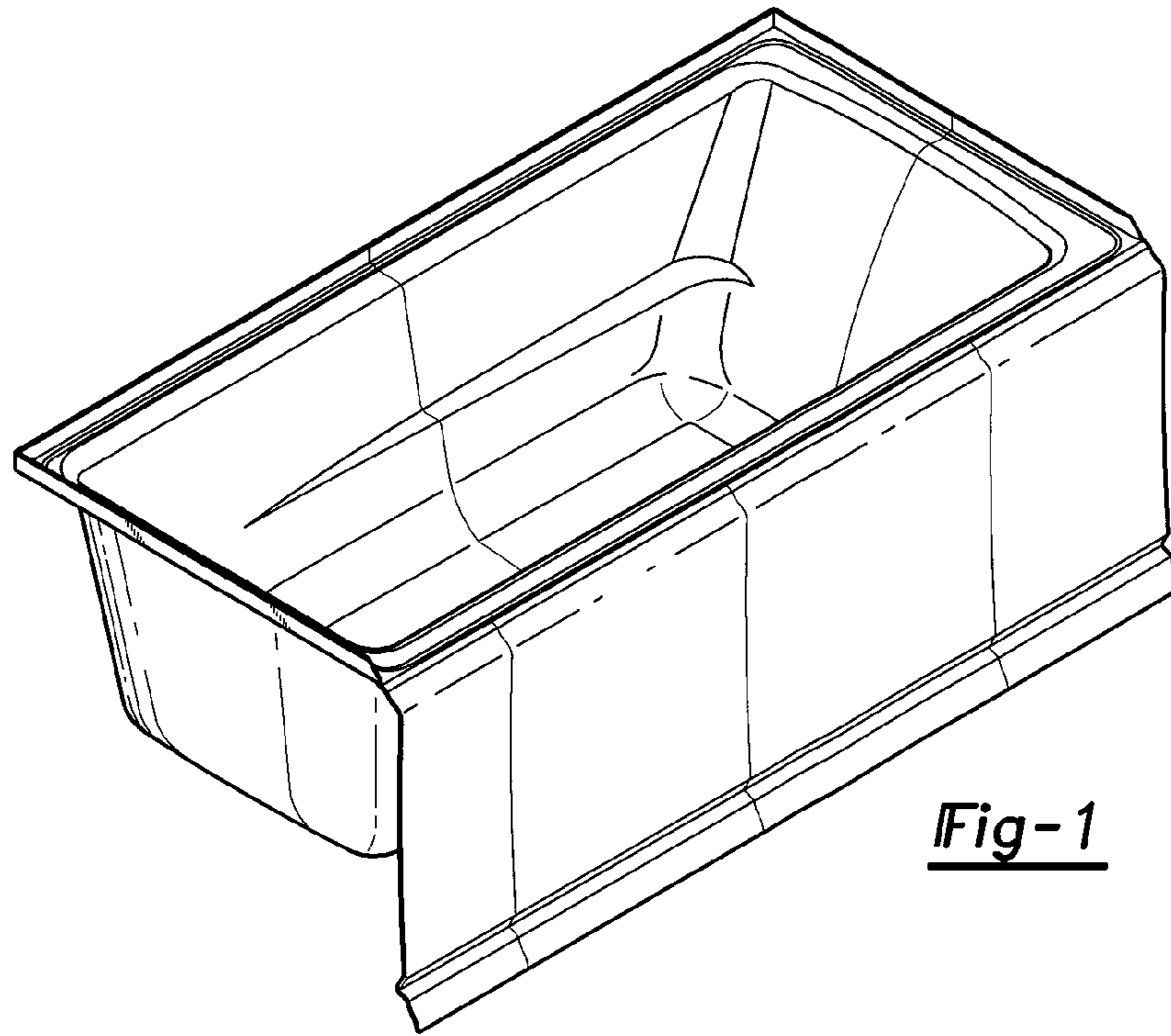
**1 Claim, 2 Drawing Sheets**

(56) **References Cited**

U.S. PATENT DOCUMENTS

- 2,407,738 A \* 9/1946 Falco ..... D23/280.1
- D186,936 S \* 12/1959 Corp ..... D23/306





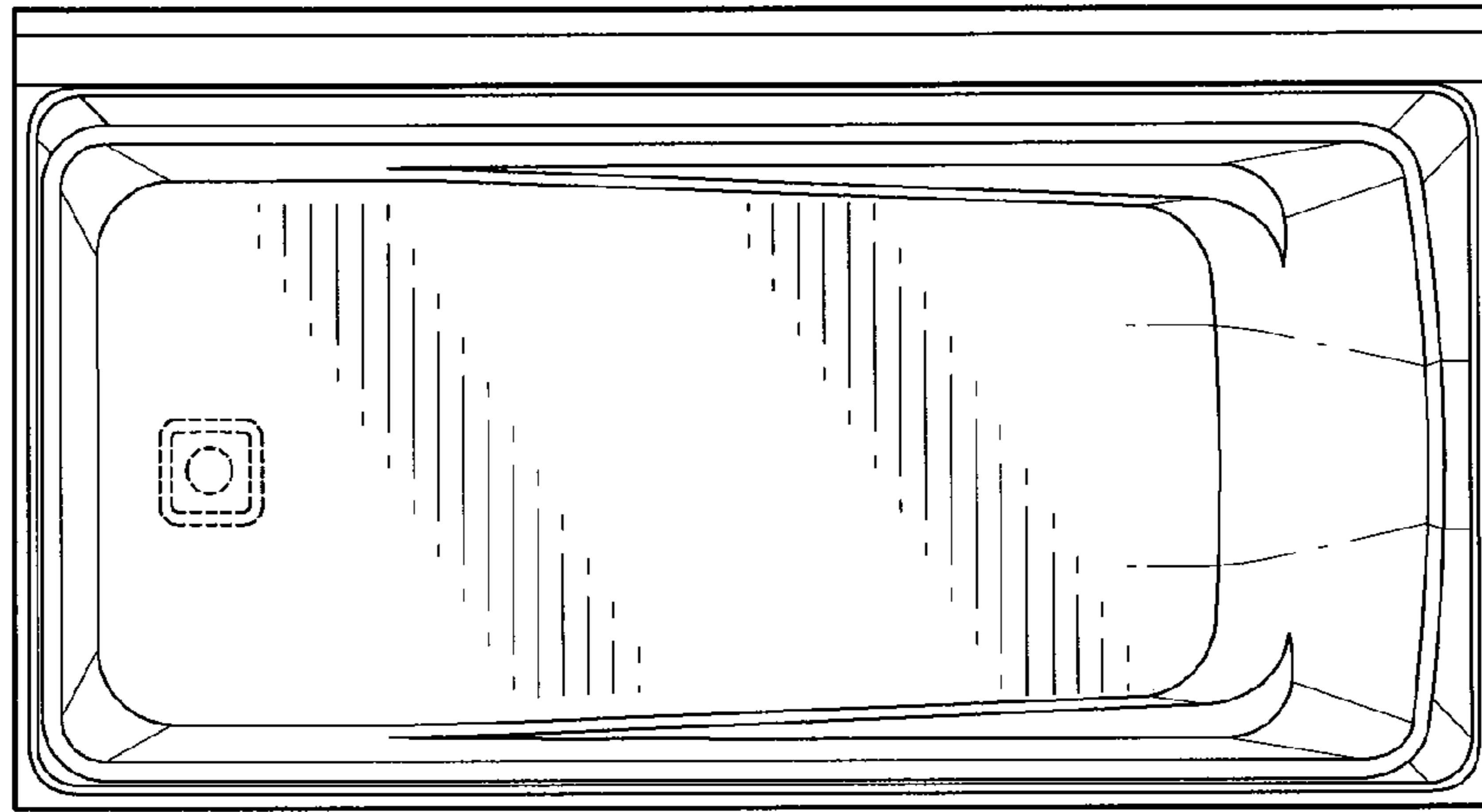


Fig-4

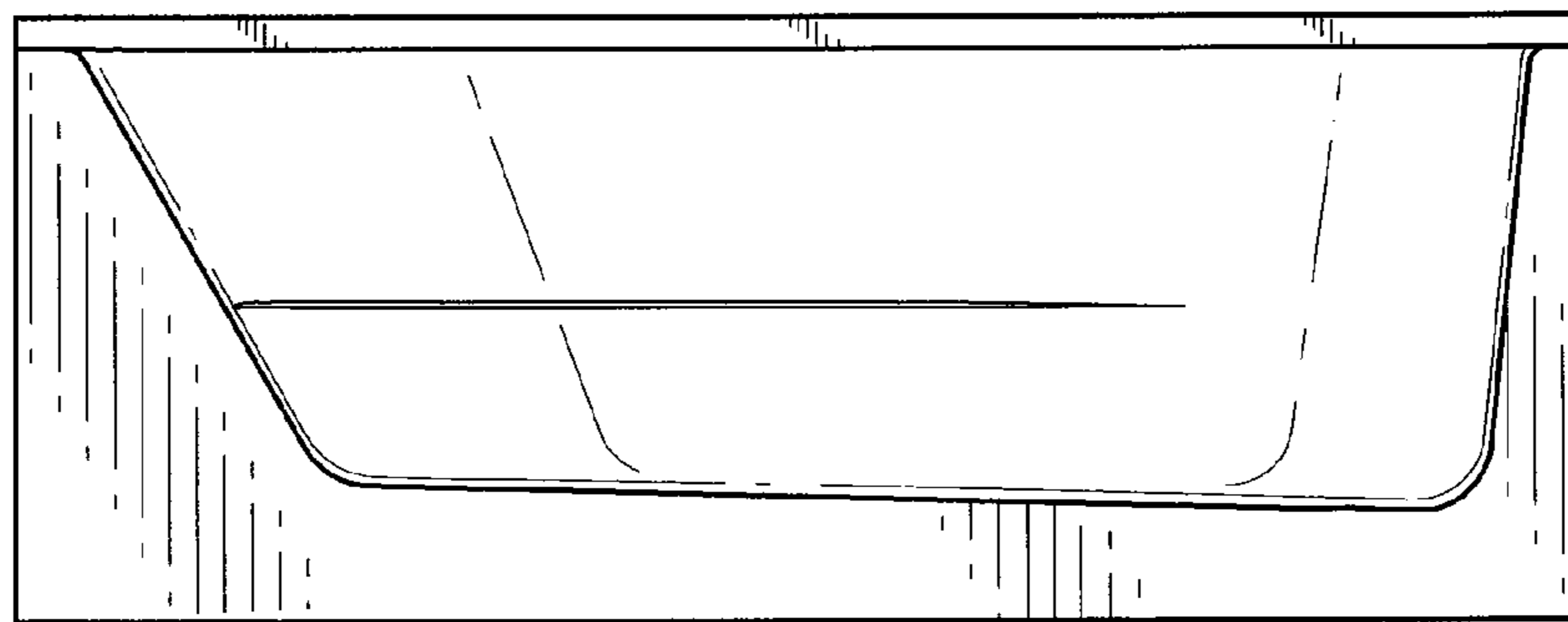


Fig-5

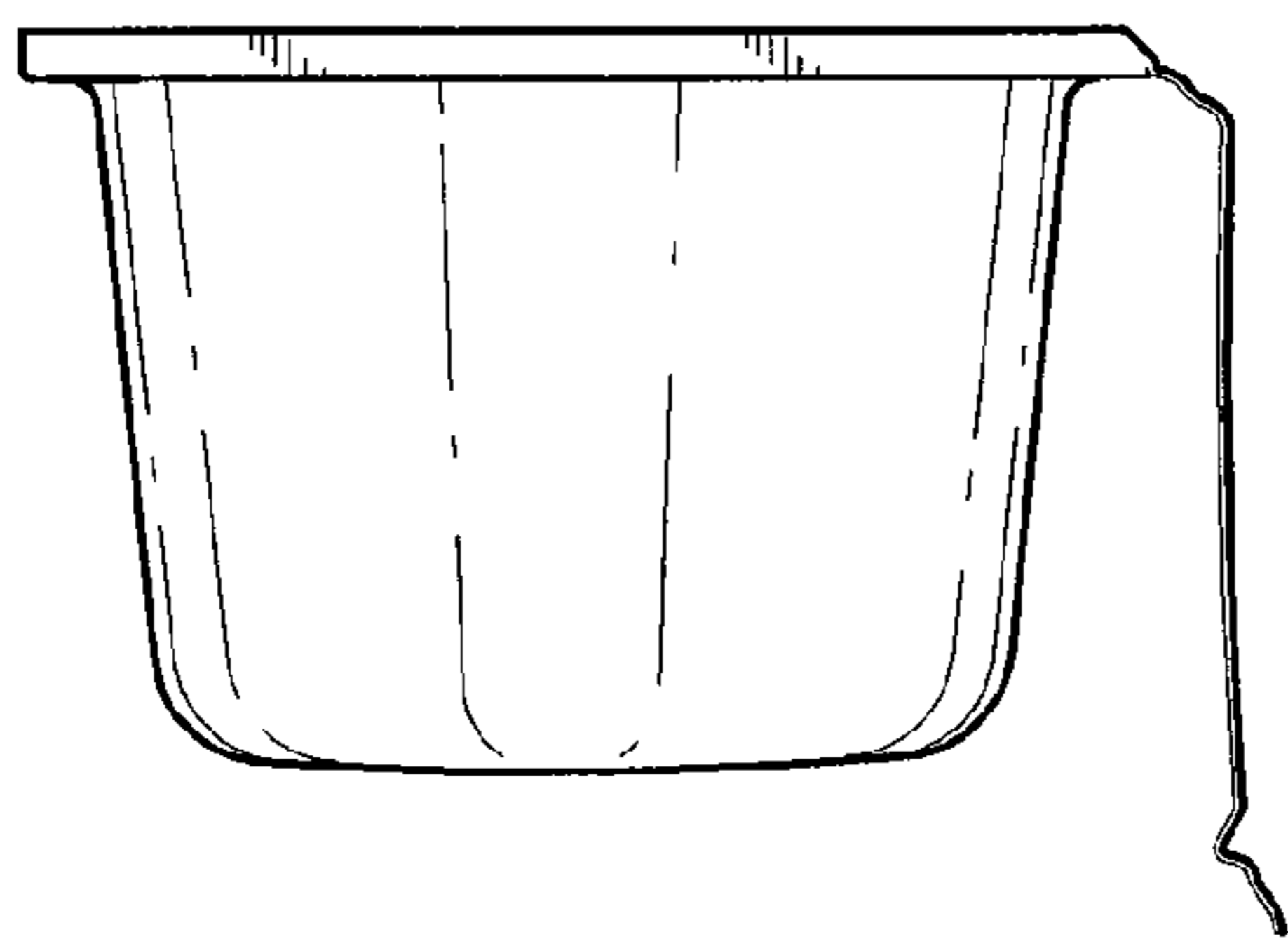


Fig-6

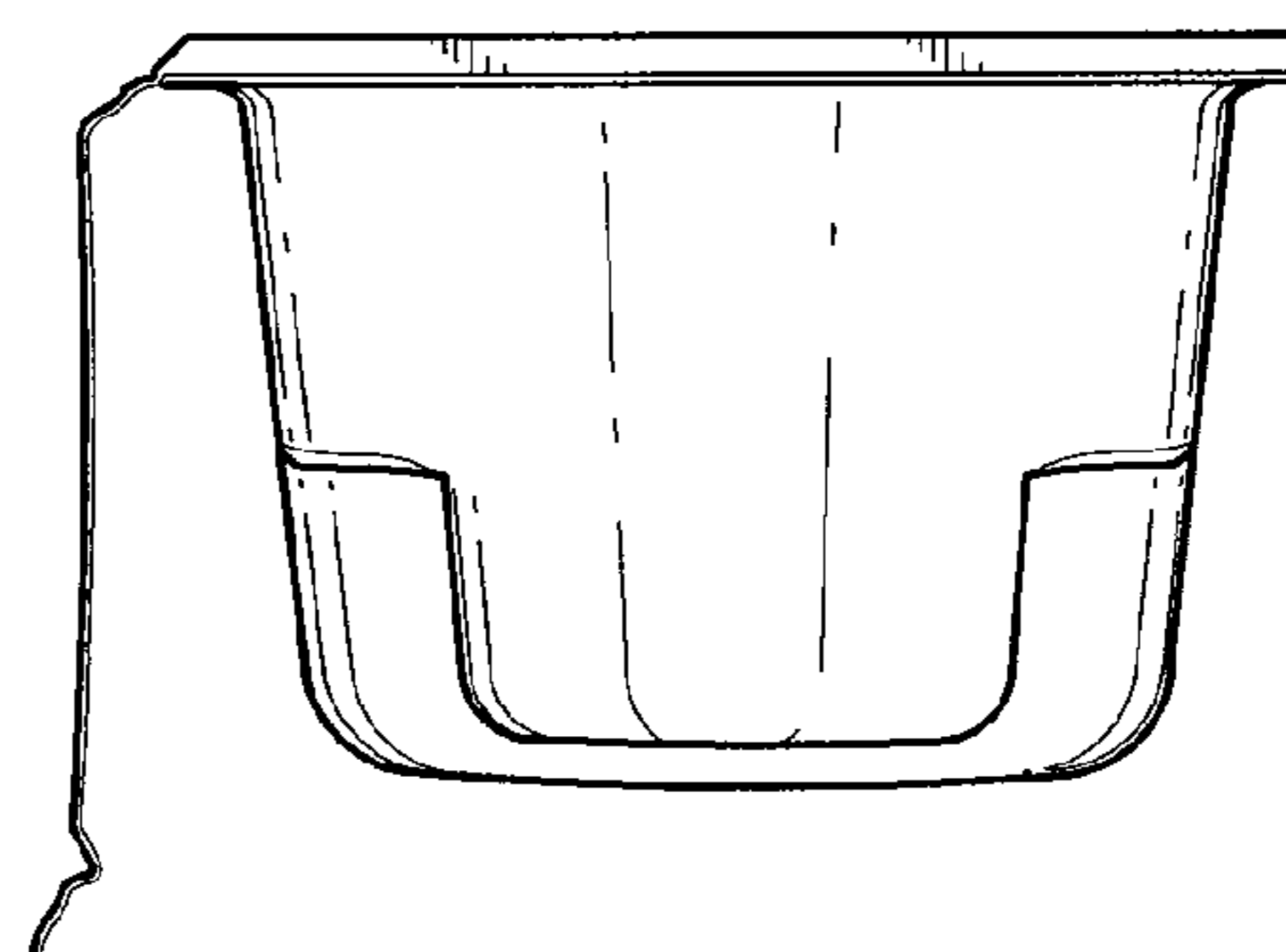


Fig-7