

US00D726291S

(12) **United States Design Patent**
Spangler

(10) **Patent No.:** **US D726,291 S**

(45) **Date of Patent:** **** Apr. 7, 2015**

(54) **TUB**

(71) Applicant: **Masco Corporation of Indiana,**
Indianapolis, IN (US)

(72) Inventor: **Anthony Spangler,** Indianapolis, IN
(US)

(73) Assignee: **Masco Corporation of Indiana,**
Indianapolis, IN (US)

(**) Term: **14 Years**

(21) Appl. No.: **29/483,777**

(22) Filed: **Mar. 3, 2014**

(51) **LOC (10) Cl.** **23-02**

(52) **U.S. Cl.**
USPC **D23/277**

(58) **Field of Classification Search**
CPC A47K 4/00; A47K 3/02
USPC D23/275, 277, 280.1, 303-304, 306;
4/663-665, 538

See application file for complete search history.

(56) **References Cited**

U.S. PATENT DOCUMENTS

D362,050 S * 9/1995 Jacuzzi D23/277
D482,762 S * 11/2003 Thomas et al. D23/280.1
D485,890 S * 1/2004 Lanius D23/280.1

* cited by examiner

Primary Examiner — Robert Delehanty

(74) *Attorney, Agent, or Firm* — Edgar A. Zarins; Nirav D. Parikh

(57) **CLAIM**

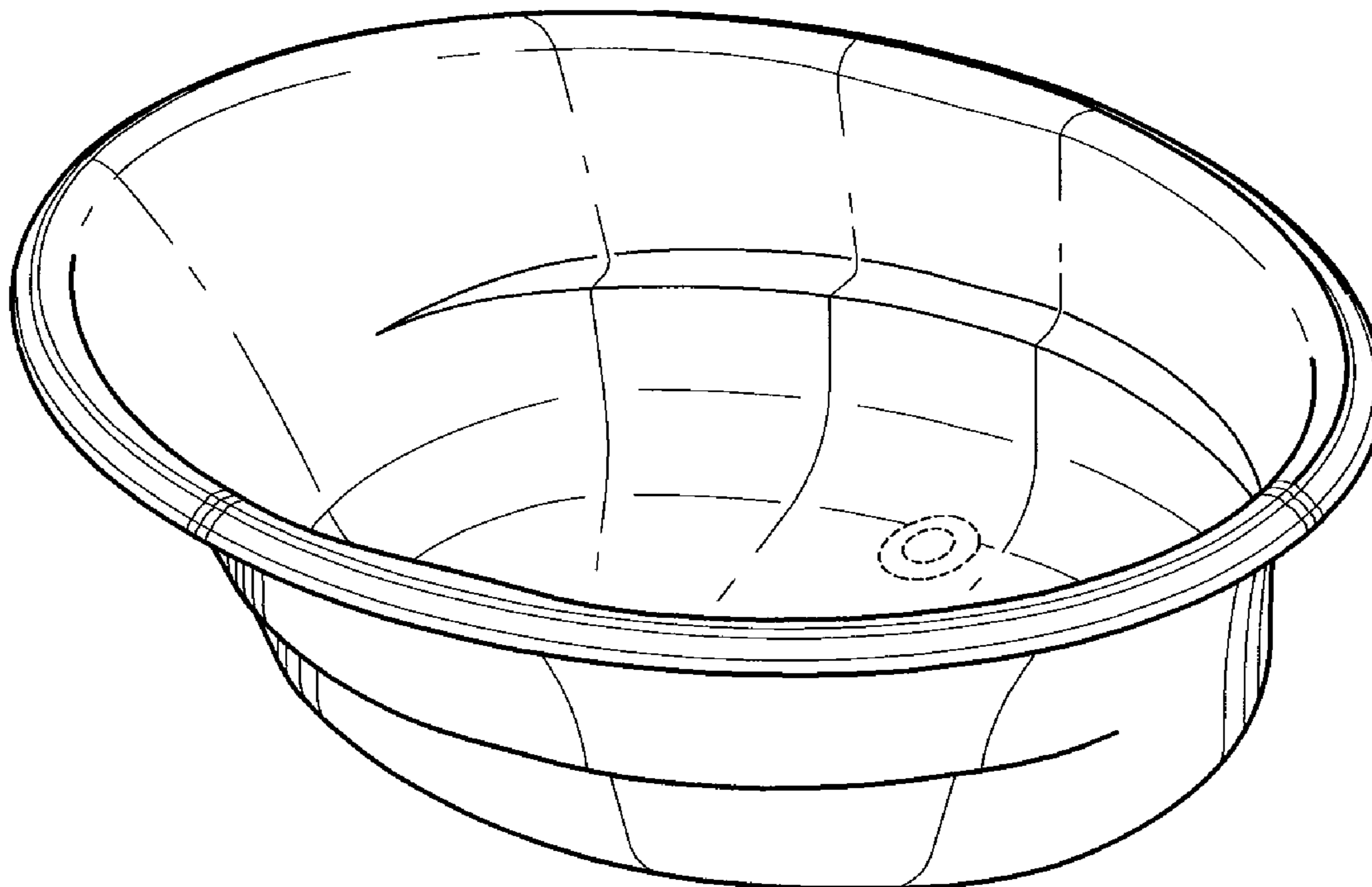
The ornamental design for a tub, as shown and described.

DESCRIPTION

FIG. 1 is a perspective view of a tub showing my new design;
FIG. 2 is a top plan view thereof;
FIG. 3 is a first side view thereof, the opposite side being a
mirror image of the side shown;
FIG. 4 is a bottom view thereof; and,
FIG. 5 is a first end view thereof, the opposite end being a
mirror image of the end shown.

The broken lines showing a plumbing drain hole are included
for the purpose of illustrating a portion of the tub that forms
no part of the claimed design.

1 Claim, 2 Drawing Sheets



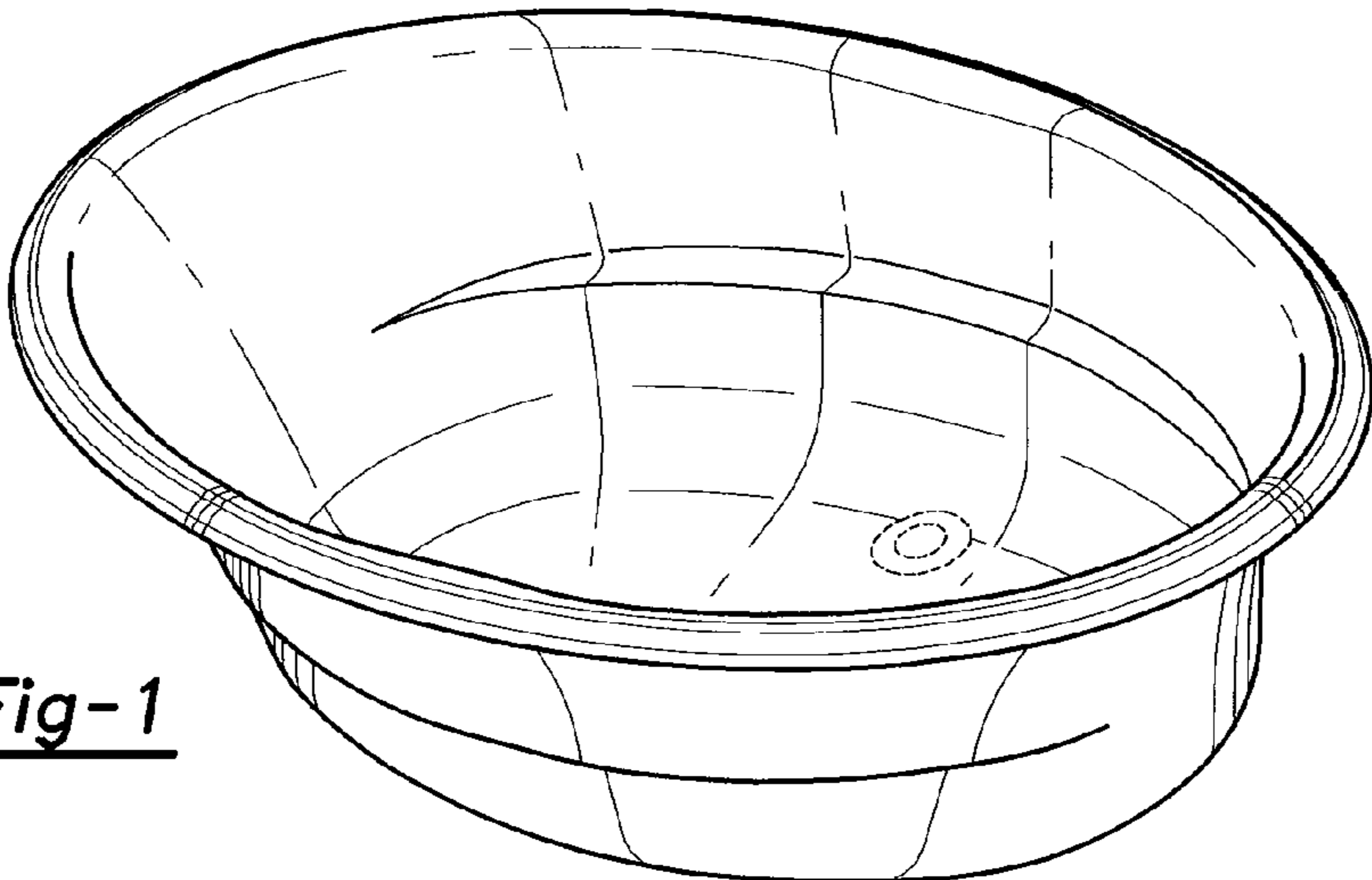


Fig-1

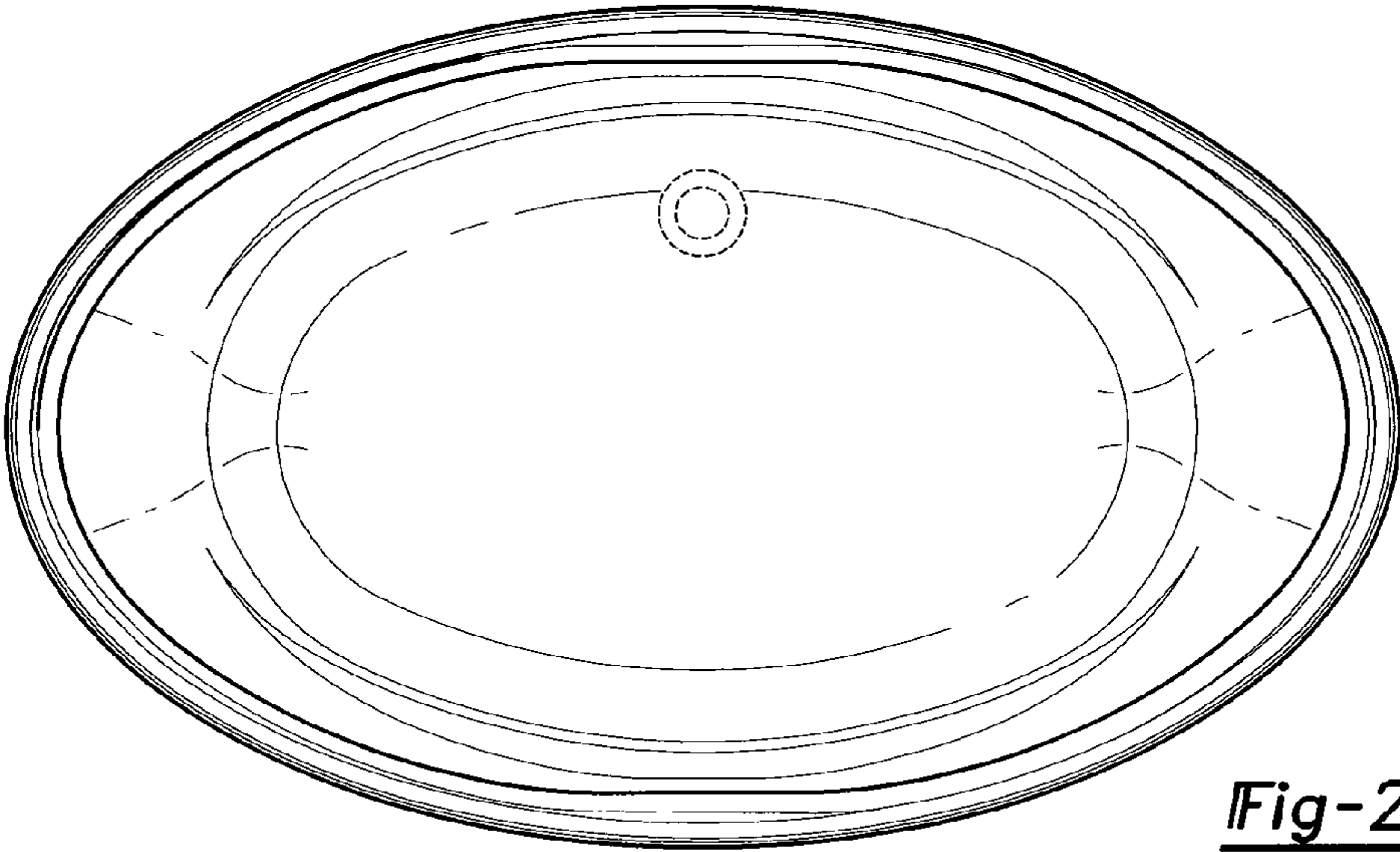


Fig-2

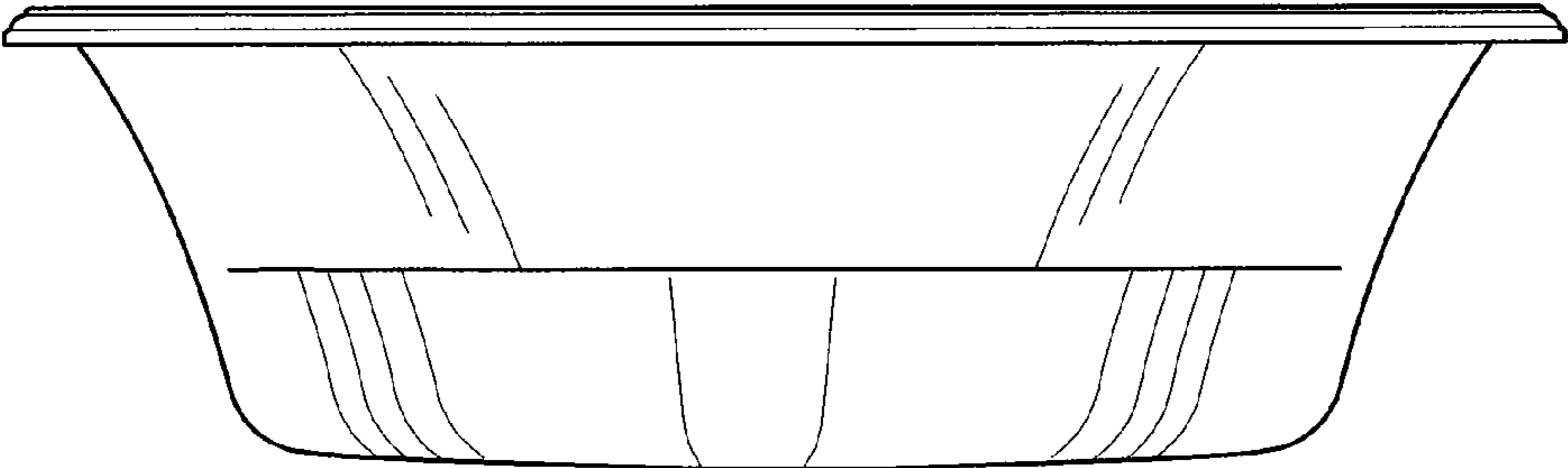


Fig-3

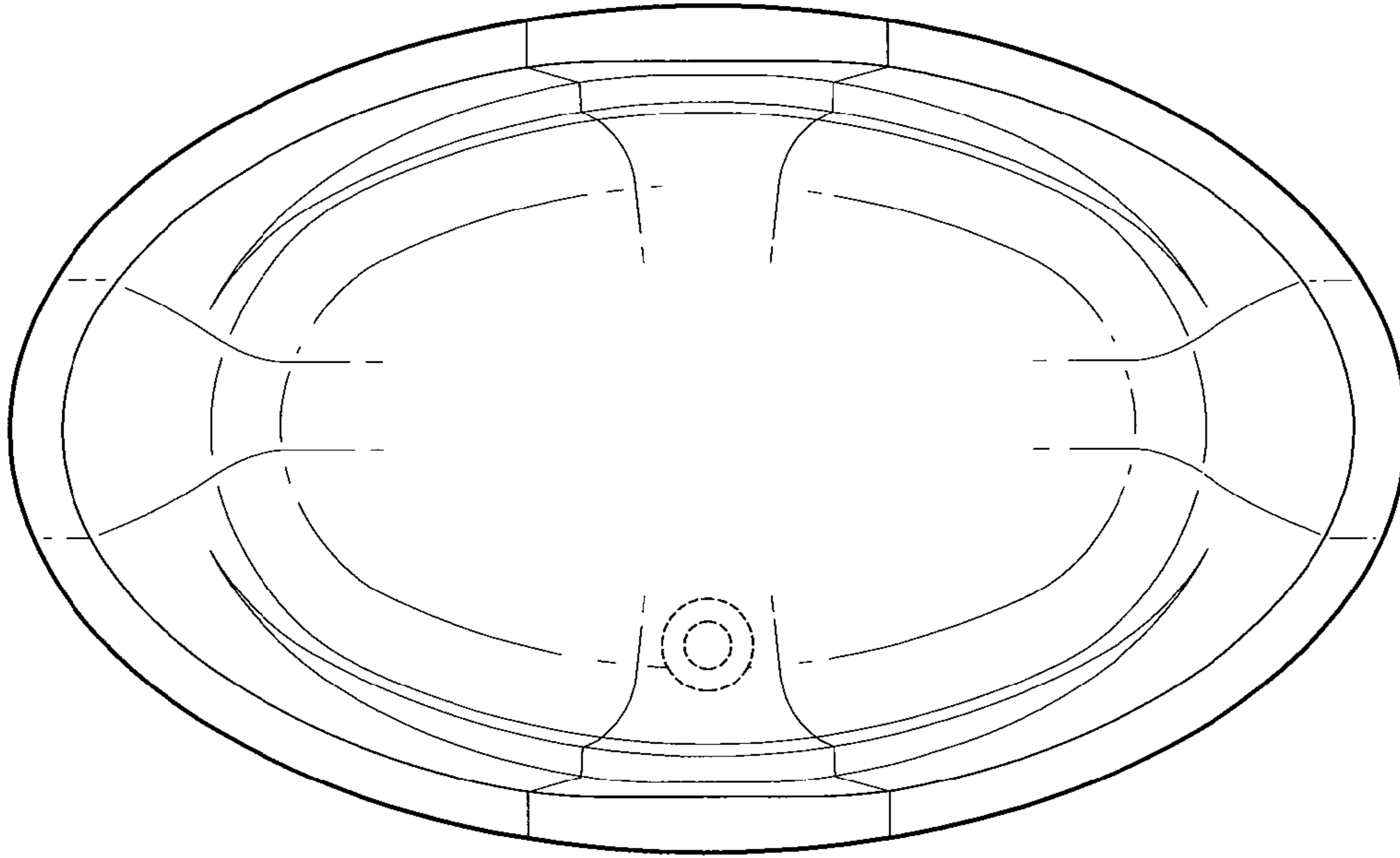


Fig-4

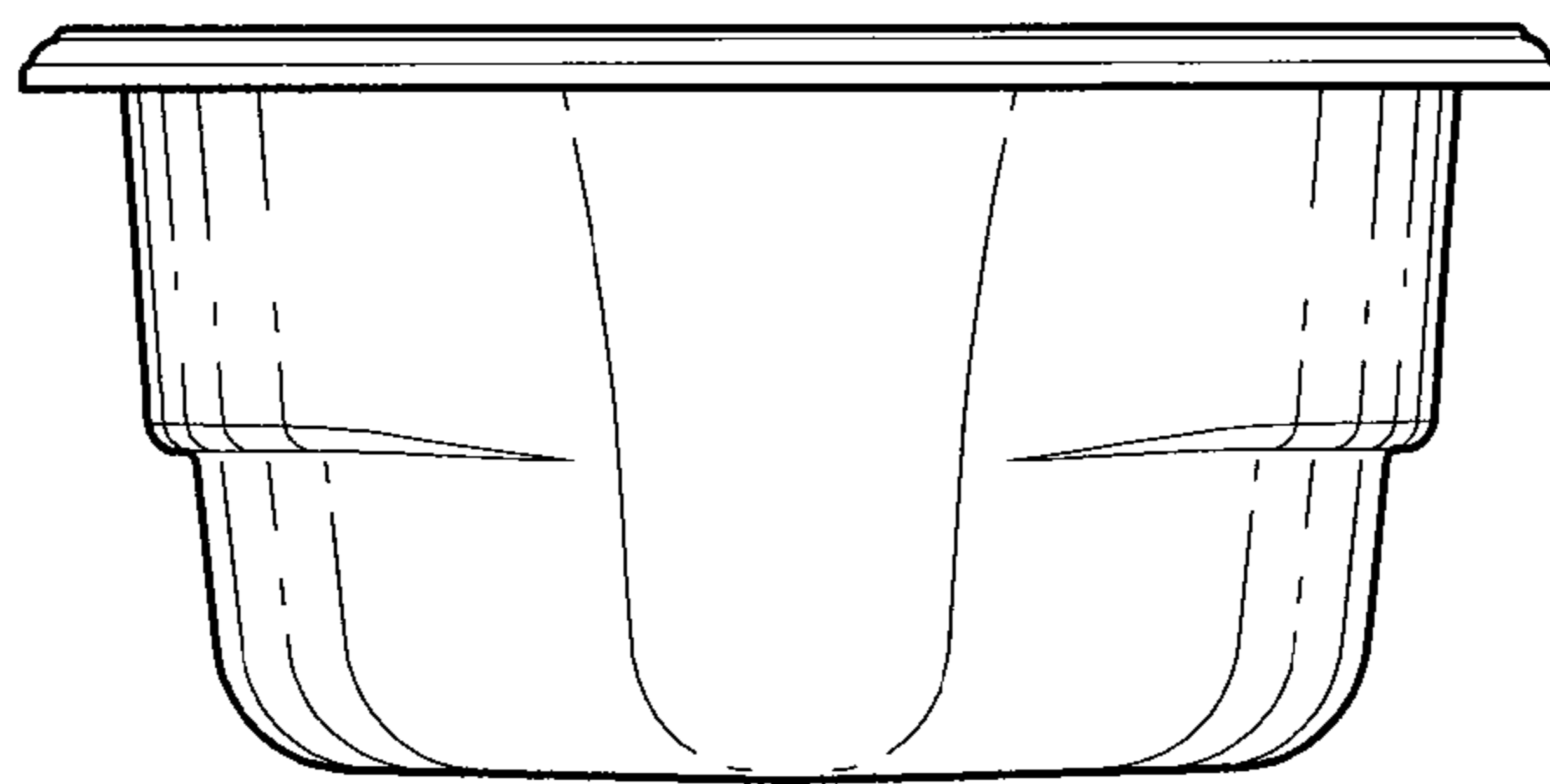


Fig-5