



US00D726290S

(12) **United States Design Patent**
Maurer et al.

(10) **Patent No.:** **US D726,290 S**
(45) **Date of Patent:** **** Apr. 7, 2015**

(54) **RAIN WATER FILTER COLLECTOR FOR A DOWNSPOUT**

(71) Applicant: **WISY AG, Haustechniksysteme, Filtertechnik, Kefenrod (DE)**

(72) Inventors: **Jan Maurer, Witzenhausen (DE); Arnold Denk, Gedern (DE)**

(73) Assignee: **WISY AG, Haustechniksysteme, Filtertechnik, Kefenrod (DE)**

(**) Term: **14 Years**

(21) Appl. No.: **29/452,563**

(22) Filed: **Apr. 18, 2013**

(51) **LOC (10) Cl.** **23-01**

(52) **U.S. Cl.**
USPC **D23/267**

(58) **Field of Classification Search**
CPC E04D 13/04; E04D 13/064; E04D 13/08; E04D 13/076; E03B 3/03
USPC D23/261, 266, 267, 268; 52/11, 12, 16, 52/58; 210/162, 447; 248/48.1, 48.2, 49; 137/138, 140, 247
See application file for complete search history.

(56) **References Cited**

U.S. PATENT DOCUMENTS

1,076,075	A *	10/1913	Steele et al.	210/447
1,136,538	A *	4/1915	Kuenzli et al.	210/433.1
1,188,280	A *	6/1916	Kuenzli et al.	210/433.1
1,265,772	A *	5/1918	Groo et al.	138/34
2,494,780	A *	1/1950	Schmidt	210/357
3,465,885	A *	9/1969	Trump	210/447

D243,766	S *	3/1977	Isaacs	D23/200
4,173,361	A *	11/1979	Gagas	285/64
D259,950	S *	7/1981	Henry	D23/259
4,472,274	A *	9/1984	Williams	210/163
D288,840	S *	3/1987	Williams	D23/261
D293,811	S *	1/1988	Bennington et al.	D23/263
5,114,594	A *	5/1992	Rosebrock et al.	210/767
D354,552	S *	1/1995	Weber	D23/261
5,709,051	A *	1/1998	Mazziotti	52/12
6,024,127	A *	2/2000	Johnson	137/873
6,263,618	B1 *	7/2001	Jones	52/12
6,705,049	B2 *	3/2004	Esmond et al.	52/16
8,656,947	B1 *	2/2014	Barton	137/544
2008/0086953	A1 *	4/2008	Graf	52/12
2008/0229673	A1 *	9/2008	LaMorte et al.	52/12

* cited by examiner

Primary Examiner — Eric Goodman

Assistant Examiner — Daniel J Domino

(74) *Attorney, Agent, or Firm* — Crowell & Moring LLP

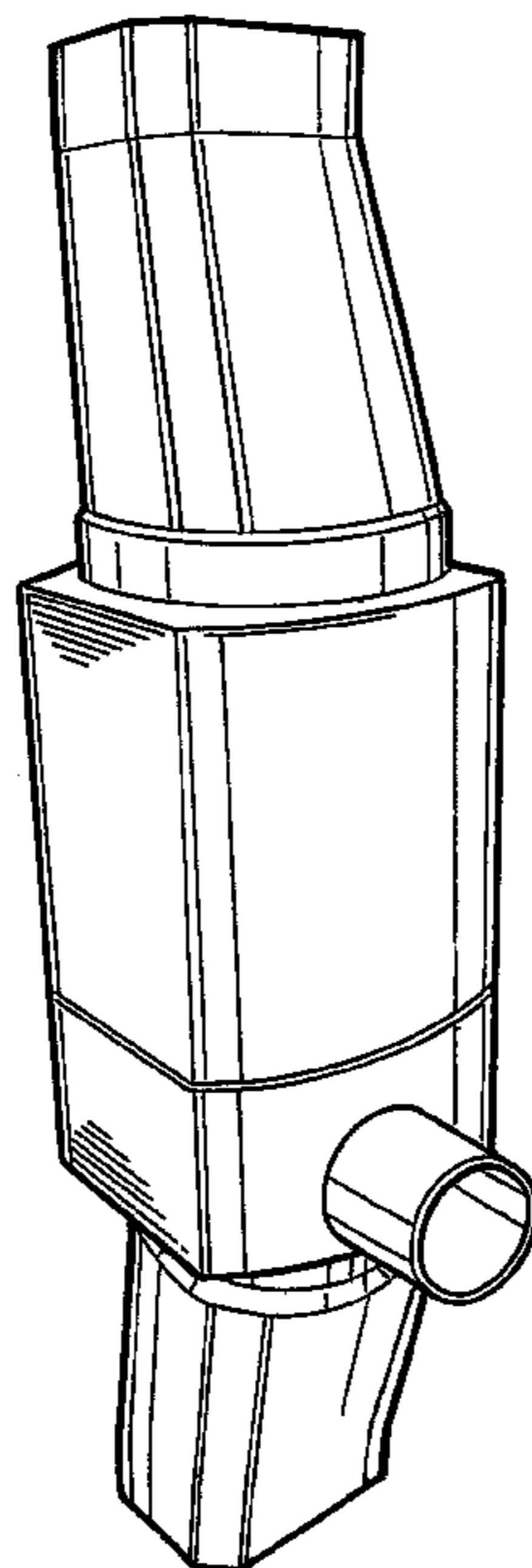
(57) **CLAIM**

The ornamental design for a rain water filter collector for a downspout, as shown and described.

DESCRIPTION

FIG. 1 is a left, front perspective view of a rain water filter collector for a downspout, the right, front perspective view being a mirror image thereof;
FIG. 2 is a right, rear perspective view, the left, rear perspective view being a mirror image thereof;
FIG. 3 is a left side view, the right side view being a mirror image thereof; and,
FIG. 4 is a top, right perspective view, the top, left perspective view being a mirror image thereof.

1 Claim, 4 Drawing Sheets



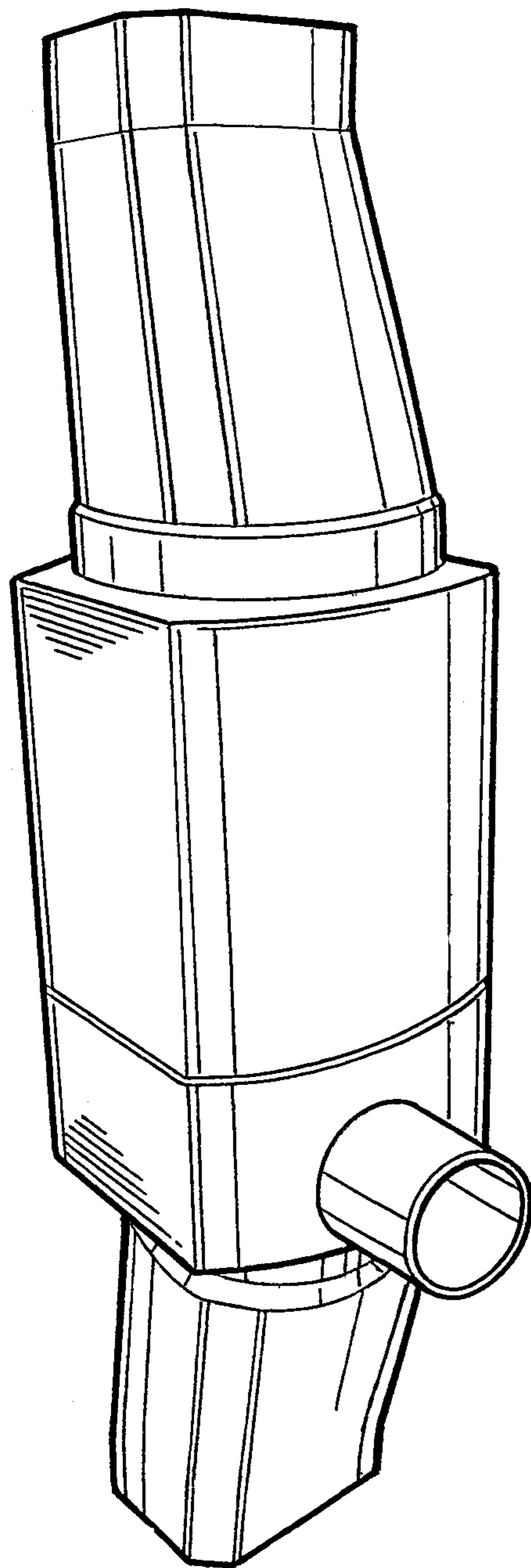


FIG. 1

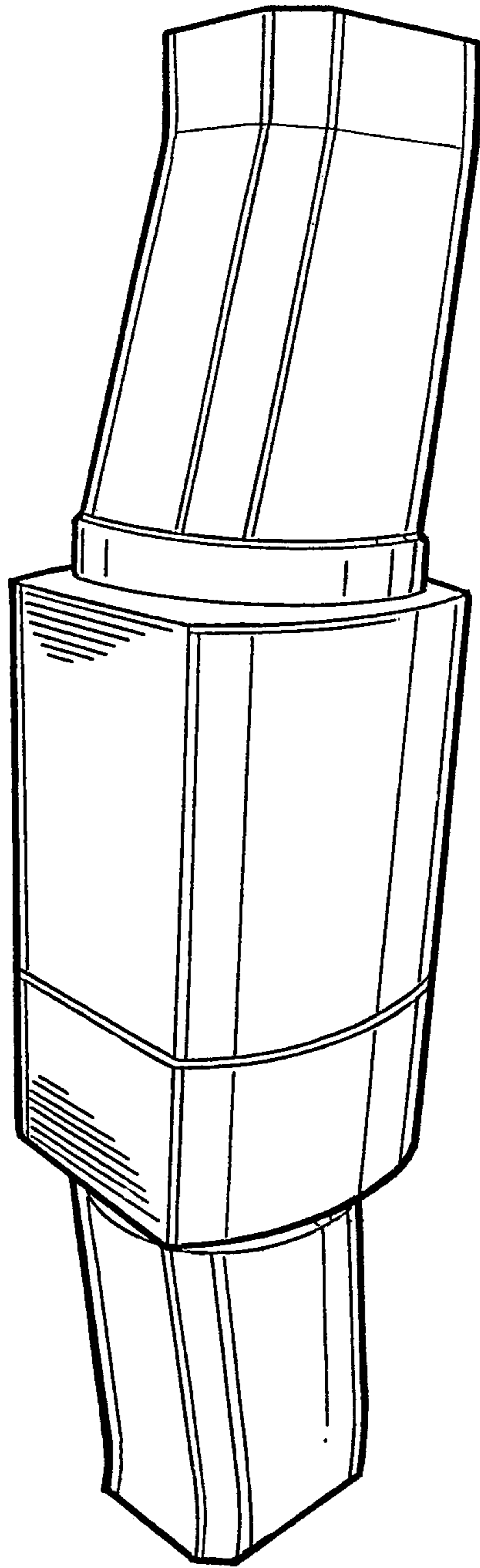


FIG. 2

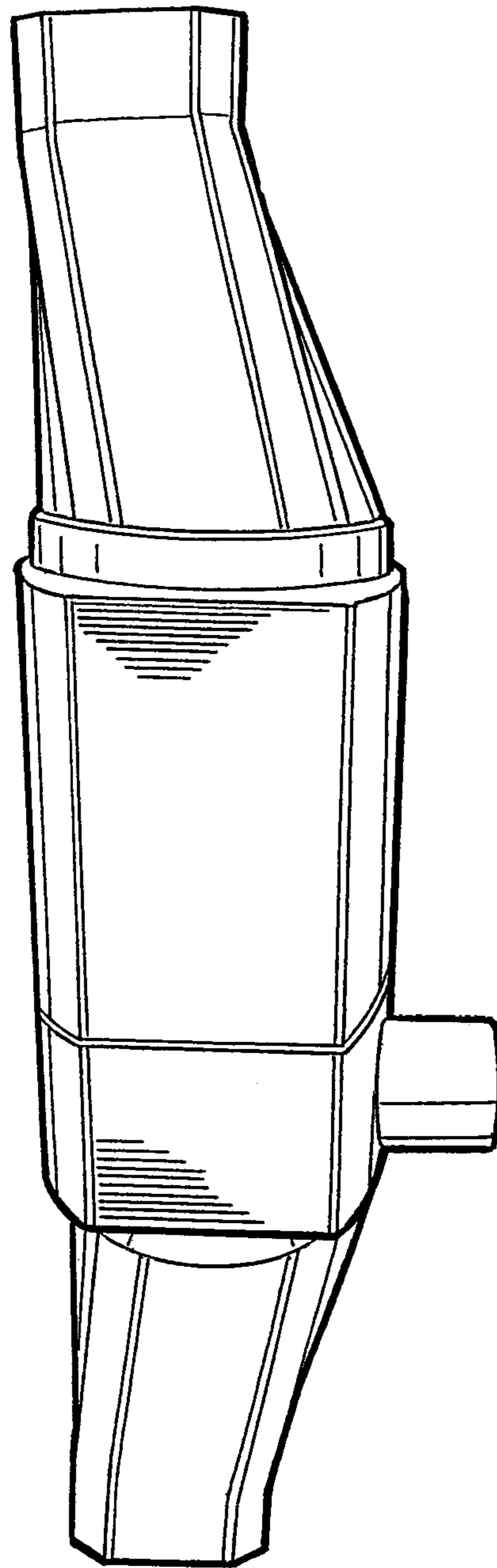


FIG. 3

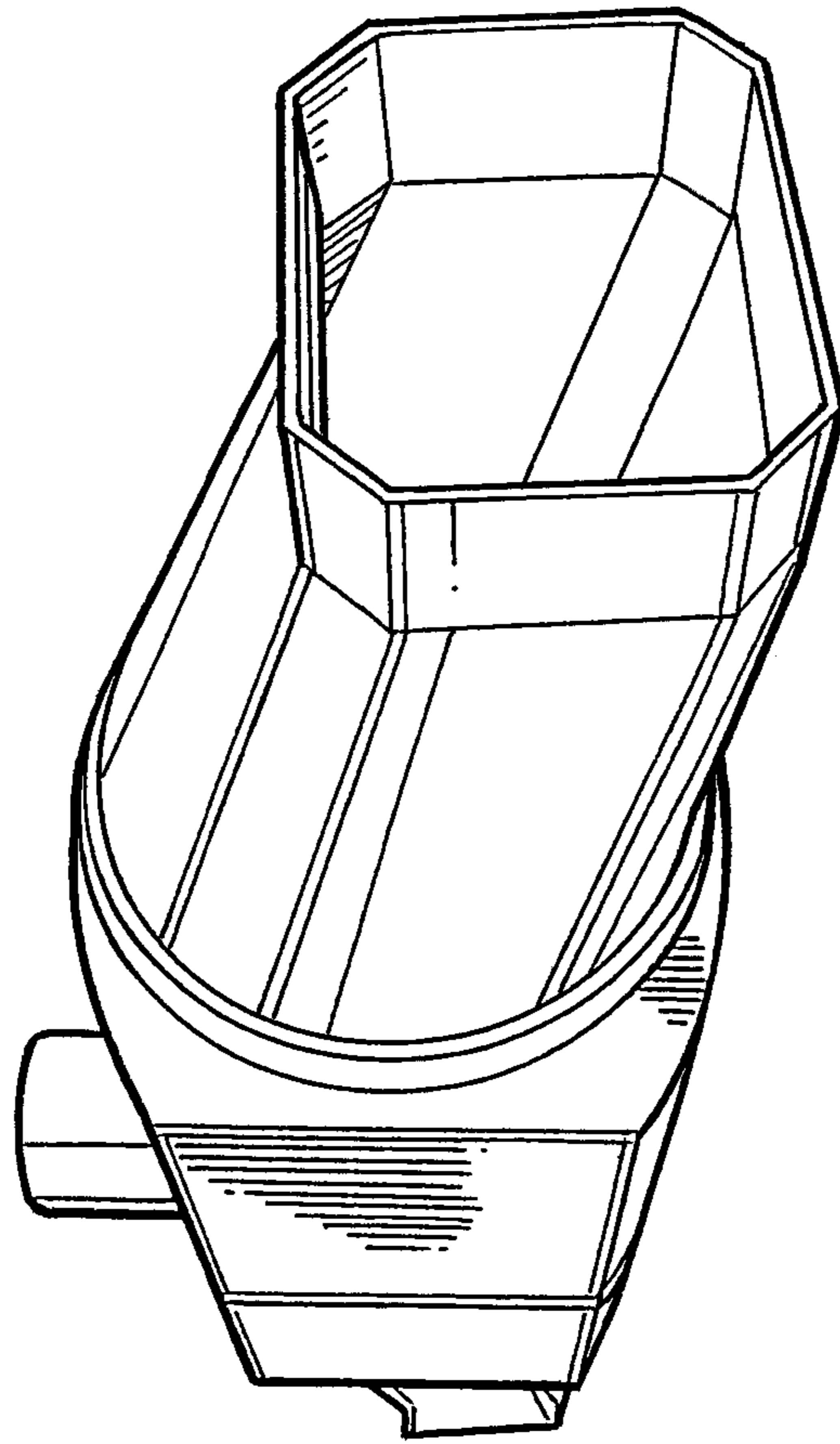


FIG. 4