



US00D726287S

(12) **United States Design Patent**  
**Steele**

(10) **Patent No.:** **US D726,287 S**  
(45) **Date of Patent:** **\*\* Apr. 7, 2015**

(54) **TWIST LOCK CONNECTOR**

(75) Inventor: **Kyle R. Steele**, Fort Collins, CO (US)

(73) Assignee: **Nordson Corporation**, Westlake, OH (US)

(\*\*) Term: **14 Years**

(21) Appl. No.: **29/423,442**

(22) Filed: **May 31, 2012**

(51) **LOC (10) Cl.** ..... **23-01**

(52) **U.S. Cl.**  
USPC ..... **D23/262**

(58) **Field of Classification Search**  
USPC ..... D23/259–269, 386, 393; 285/12, 63,  
285/88, 405; 4/252.4; D9/435–437  
See application file for complete search history.

(56) **References Cited**

**U.S. PATENT DOCUMENTS**

3,245,703 A \* 4/1966 Manly ..... 285/319  
D254,505 S \* 3/1980 Parsons et al. .... D23/262

(Continued)

**OTHER PUBLICATIONS**

CPC—Colder Products Company, www.colder.com search results for “SMC”, Online website, (Applicant believes that information similar to that presented in this document related to the “SMC Series” was available at <http://www.colder.com/Products/tabid/693/Default.aspx?ProductId=20> at least as early as Mar. 23, 2010, but the noted URL is no longer active) 3 pages.

(Continued)

*Primary Examiner* — Eric Goodman

*Assistant Examiner* — John Reickel

(74) *Attorney, Agent, or Firm* — Dorsey & Whitney LLP

(57) **CLAIM**

I claim the ornamental design for a twist lock connector, substantially as shown and described.

**DESCRIPTION**

FIG. 1 is a top, left, front isometric view of a twist lock connector shown in a connected environment.

FIG. 2 is a top, left, front isometric view of the twist lock connector of FIG. 1.

FIG. 3 is a top, right, front isometric view of the twist lock connector of FIG. 1.

FIG. 4 is a front elevation view of the twist lock connector of FIG. 1.

FIG. 5 is a rear elevation view of the twist lock connector of FIG. 1.

FIG. 6 is a right side elevation view of the twist lock connector of FIG. 1.

FIG. 7 is a left side elevation view of the twist lock connector of FIG. 1.

FIG. 8 is a top plan view of the twist lock connector of FIG. 1.

FIG. 9 is a bottom plan view of the twist lock connector of FIG. 1.

FIG. 10 is an exploded top, left, front, isometric view of the twist lock connector of FIG. 1.

FIG. 11 is an exploded top, right, front, isometric view of the twist lock connector of FIG. 1.

FIG. 12 is an exploded front elevation view of the twist lock connector of FIG. 1.

FIG. 13 is an exploded rear elevation view of the twist lock connector of FIG. 1.

FIG. 14 is a right side elevation view of a twist lock component of the twist lock connector of FIG. 1 separate from a male connector component.

FIG. 15 is a right side elevation view of the male connector component of the twist lock connector of FIG. 1 separate from the twist lock component.

FIG. 16 is a left side elevation view of the male connector component of the twist lock connector of FIG. 1 separate from the twist lock component.

FIG. 17 is a left side elevation view of the twist lock component of the twist lock connector of FIG. 1 separate from the male connector component.

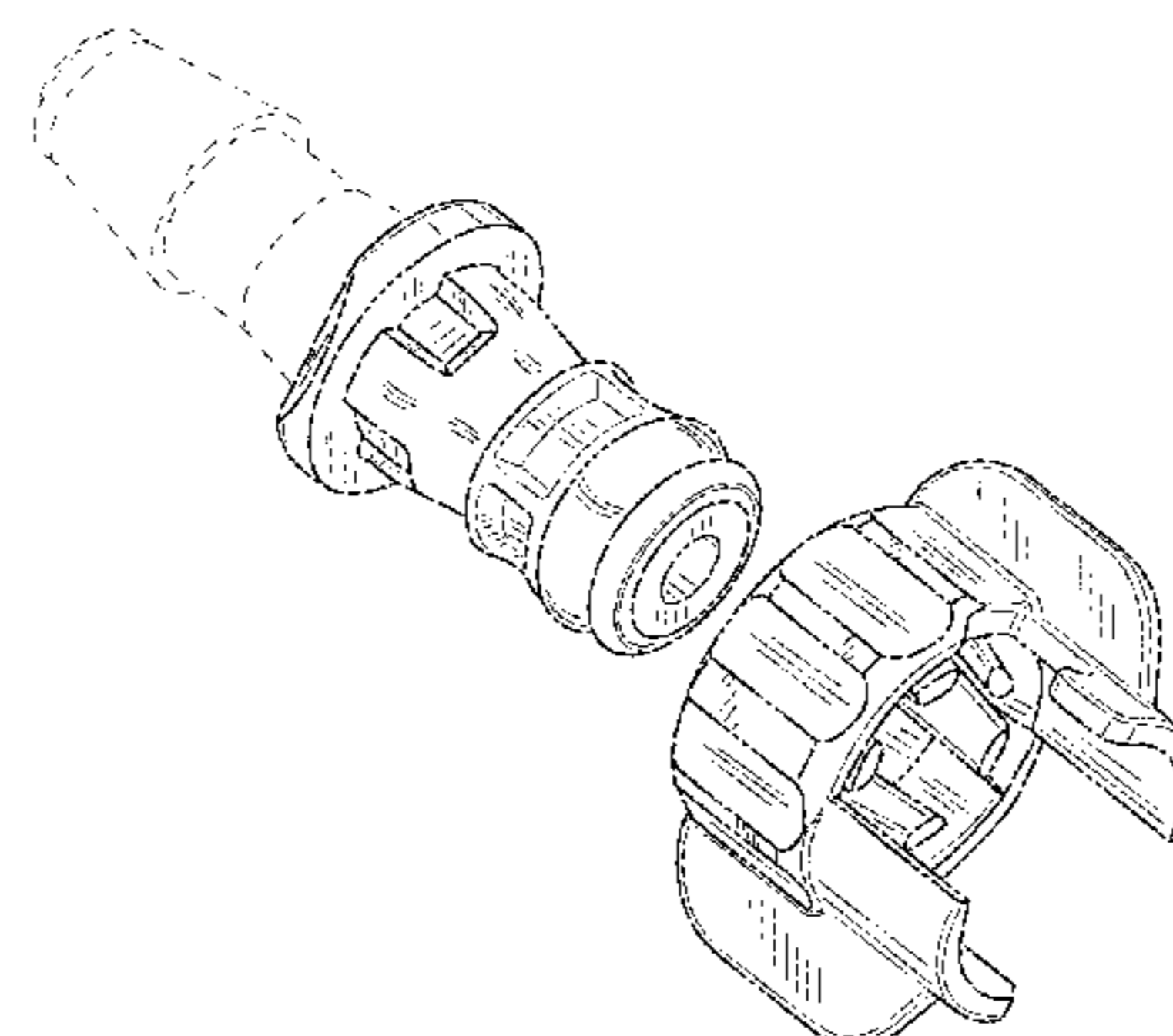
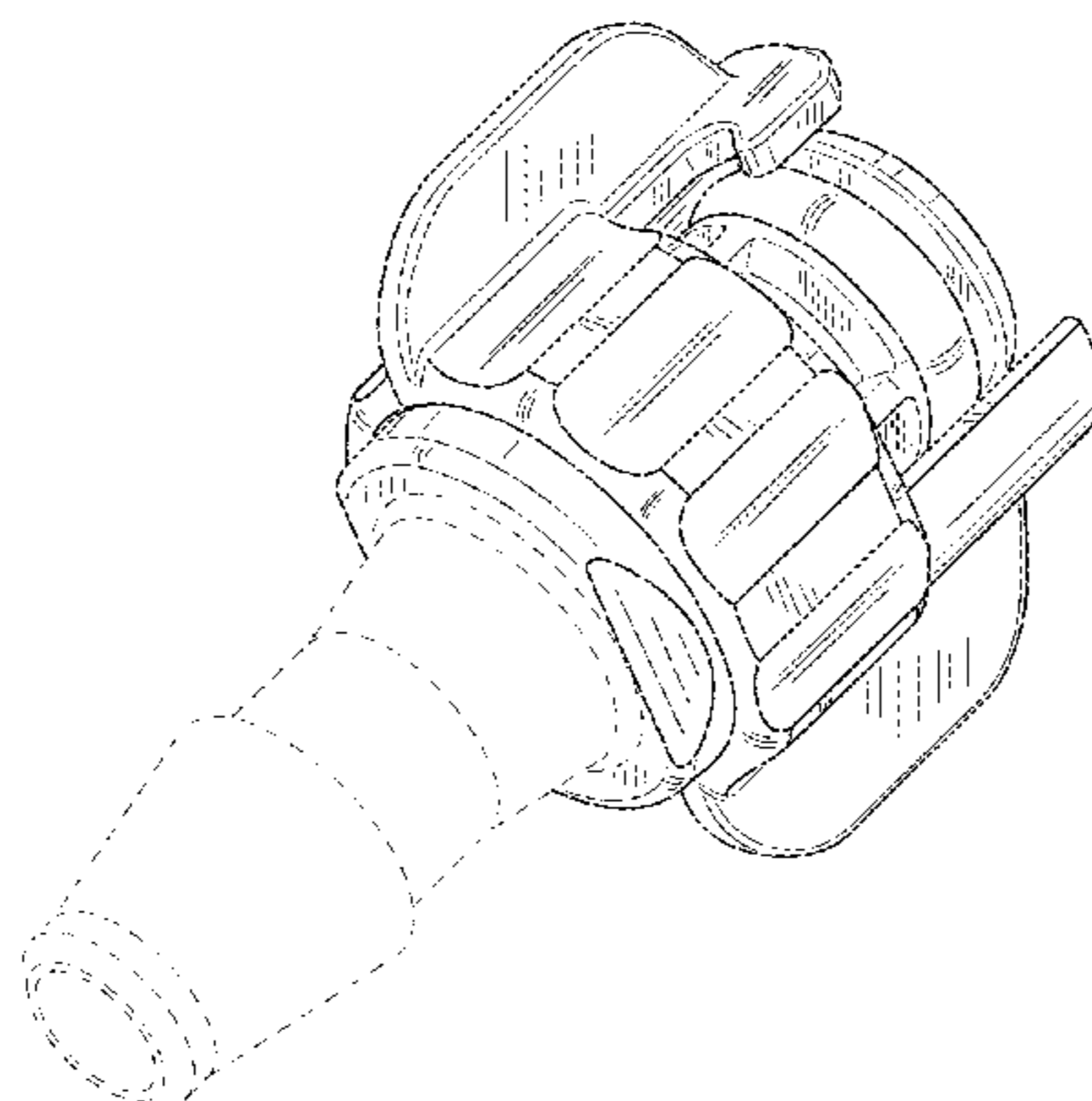
FIG. 18 is an exploded top plan view of the twist lock connector of FIG. 1.

FIG. 19 is an exploded bottom plan view of the twist lock connector of FIG. 1; and,

FIG. 20 is an exploded front elevation view in cross section of the twist lock connector of FIG. 1.

The broken lines shown in the drawings are for purposes of illustrating use and environment, or for defining the bounds of the claimed design, and form no part of the claimed design.

**1 Claim, 16 Drawing Sheets**



(56)

**References Cited**

U.S. PATENT DOCUMENTS

D265,418 S \* 7/1982 Chow et al. .... D23/262  
 D275,316 S \* 8/1984 Hayes ..... D23/262  
 4,541,657 A \* 9/1985 Smyth ..... 285/305  
 D327,120 S \* 6/1992 Ambrosi ..... D23/262  
 D345,962 S \* 4/1994 Clifton et al. .... D13/150  
 D366,866 S \* 2/1996 Whitehead et al. .... D13/151  
 D379,348 S \* 5/1997 Korinek ..... D13/150  
 5,799,987 A \* 9/1998 Sampson ..... 285/81  
 D402,629 S \* 12/1998 Benedict ..... D13/150  
 D404,714 S \* 1/1999 Axelsson ..... D13/150  
 6,252,170 B1 \* 6/2001 Korinek ..... 174/87  
 D495,050 S \* 8/2004 Guala ..... D24/129  
 D523,821 S \* 6/2006 Michaud et al. .... D13/156  
 D569,955 S \* 5/2008 Chen ..... D23/262  
 D570,457 S \* 6/2008 Brown ..... D23/262  
 D613,827 S \* 4/2010 Damaske et al. .... D23/259  
 D630,320 S \* 1/2011 Lombardi et al. .... D24/129

D645,547 S \* 9/2011 Lombardi et al. .... D23/262  
 D651,696 S \* 1/2012 Giordano ..... D23/262  
 2008/0129047 A1 \* 6/2008 Blivet et al. .... 285/308

OTHER PUBLICATIONS

CPC—Colder Products Company, www.colder.com—“SMC02 1/8 Hose Barb Non-Valved in-Line Coupling Set”, Online website, (Applicant believes that information similar to that presented in this document related to the “SMC Series” was available at <http://www.colder.com/Products/tabid/693/Default.aspx?ProductId=20> at least as early as Mar. 23, 2010, but the noted URL is no longer active) 1 page.

CPC—Colder Products Company, www.colder.com—“SMMP Male Plug for SMC Series Coupling Bodies”, Online website, (Applicant believes that information similar to that presented in this document related to the “SMC Series” was available at <http://www.colder.com/Products/tabid/693/Default.aspx?ProductId=20> at least as early as Mar. 23, 2010, but the noted URL is no longer active) 1 page.

\* cited by examiner

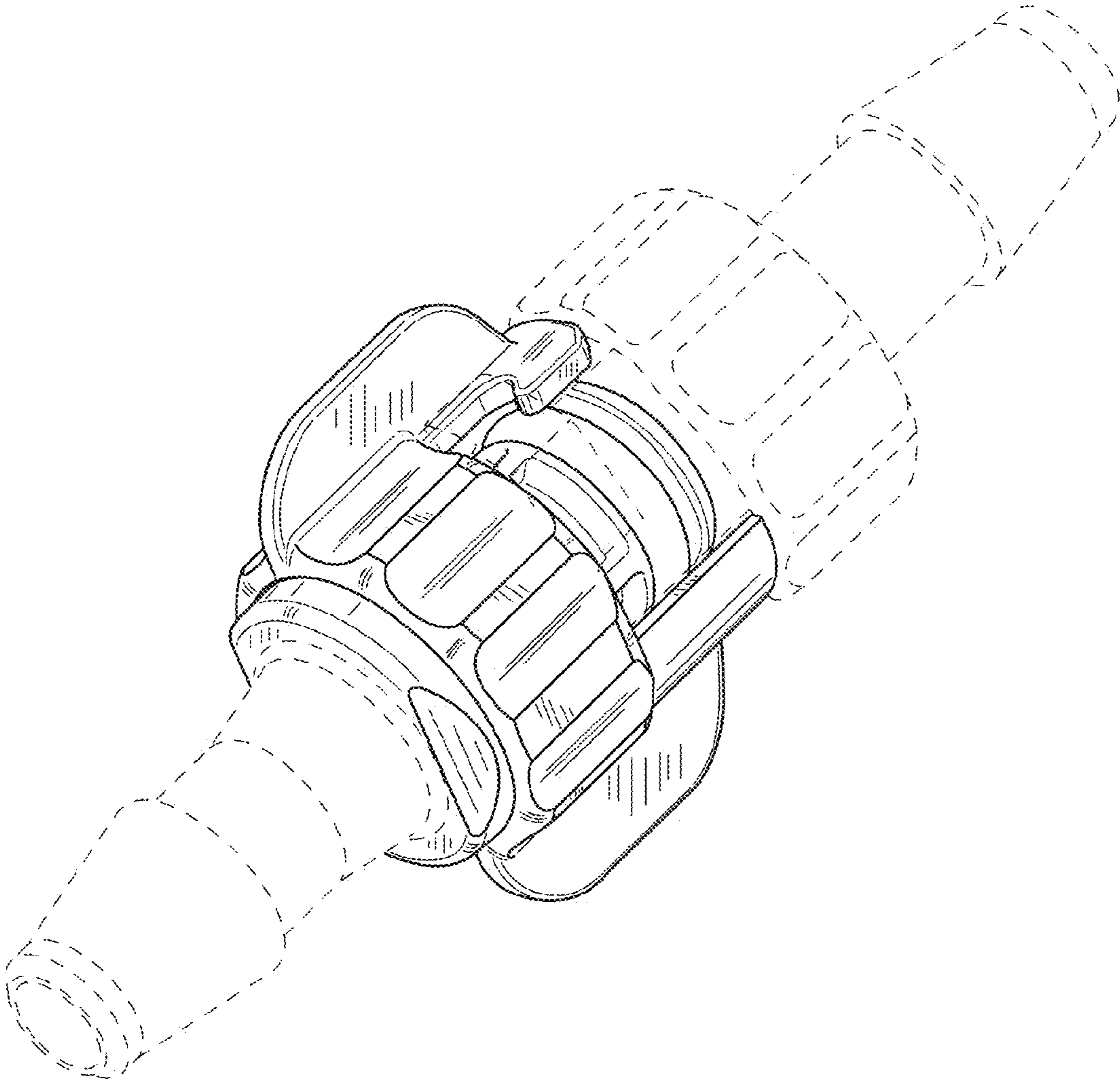


FIG. 1

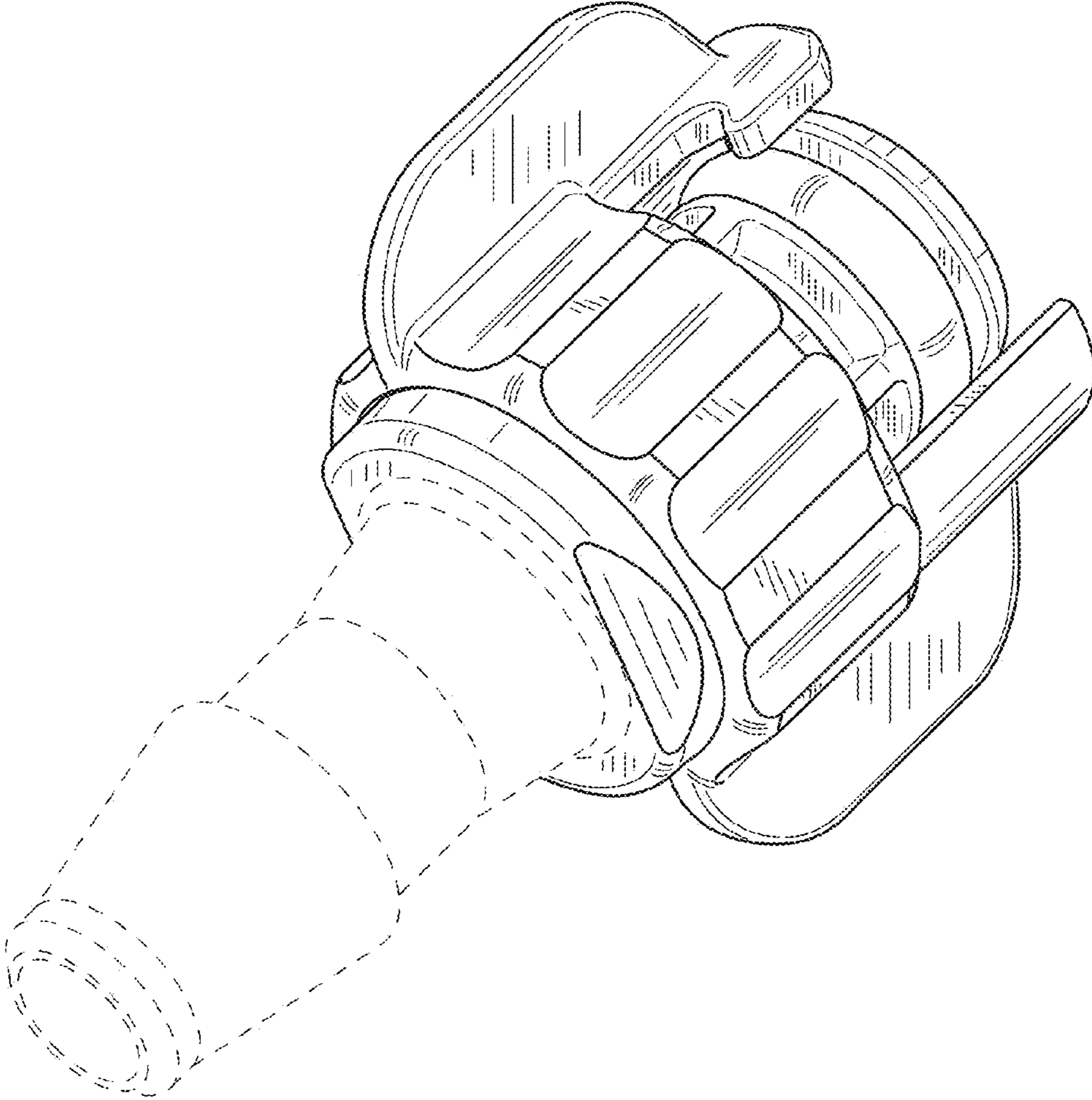


FIG.2

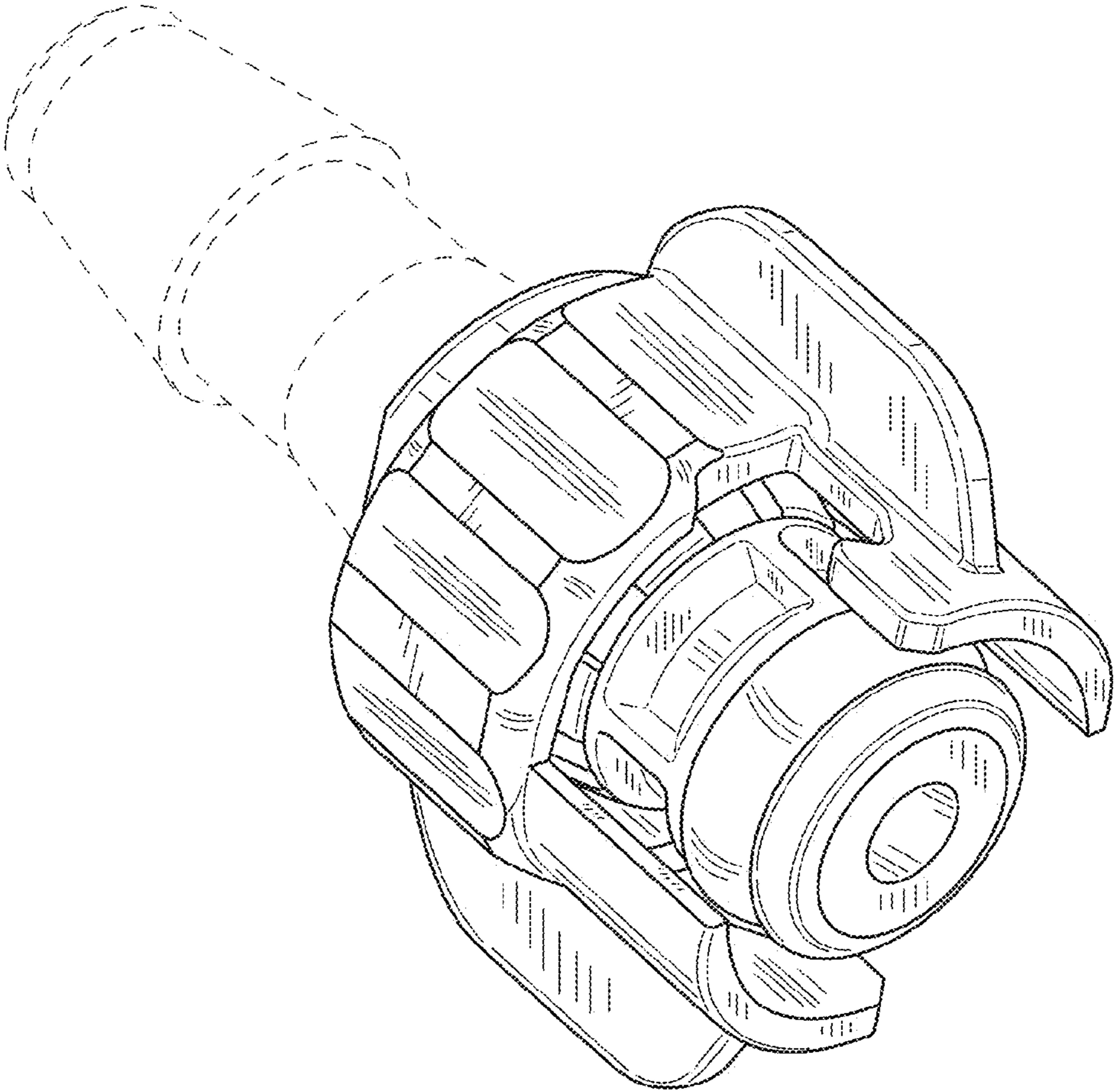


FIG.3

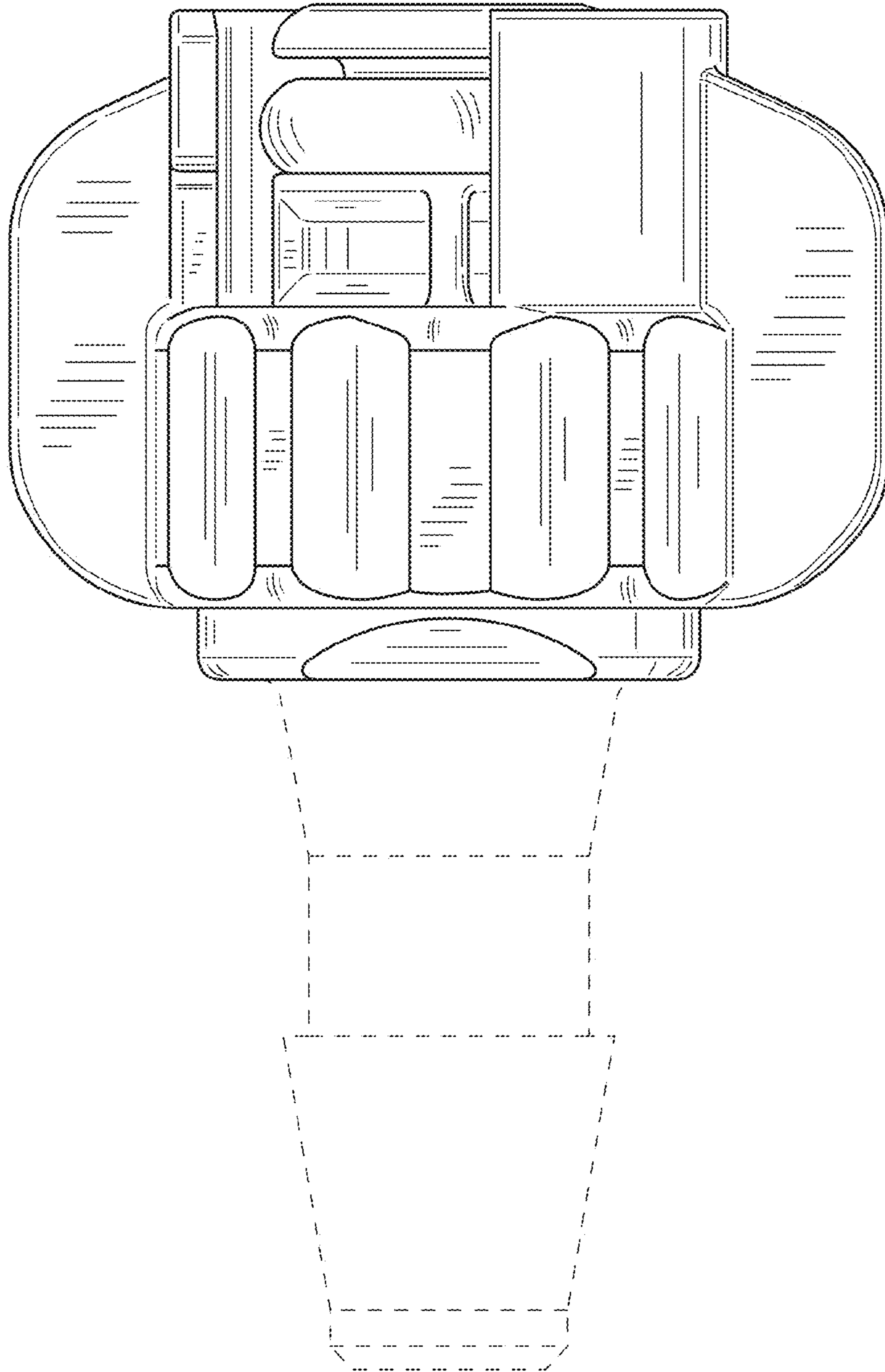


FIG.4

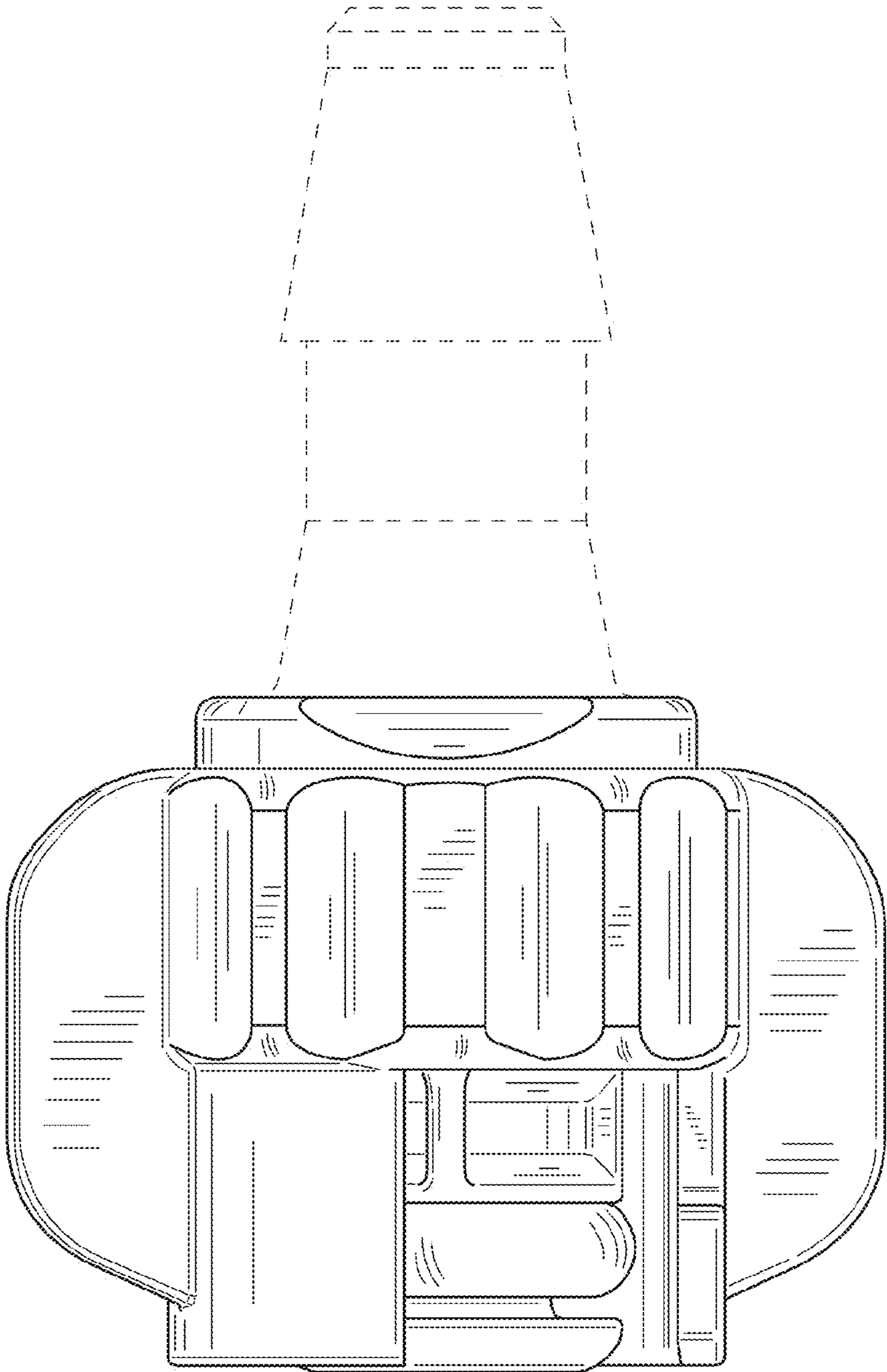


FIG. 5

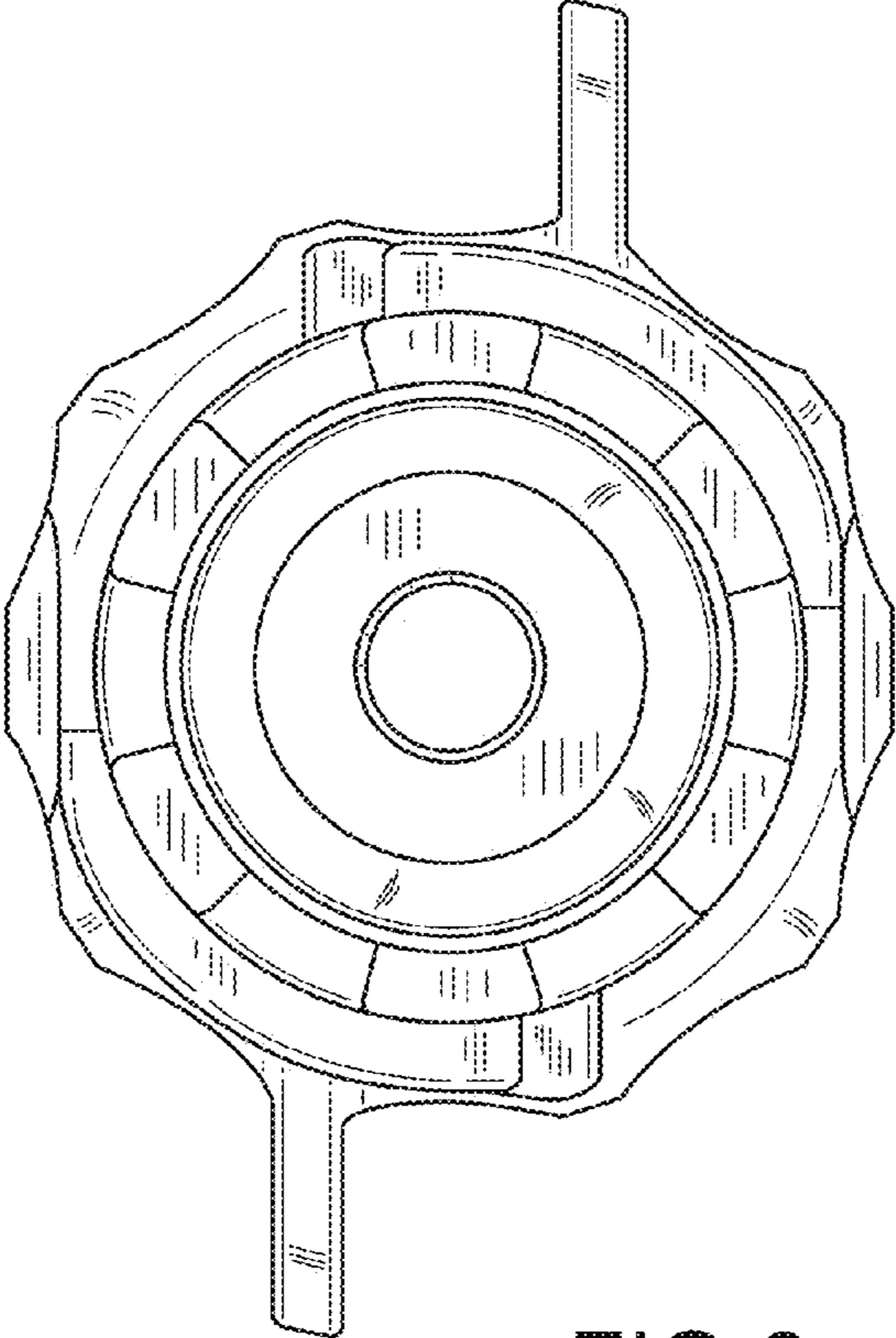


FIG. 6

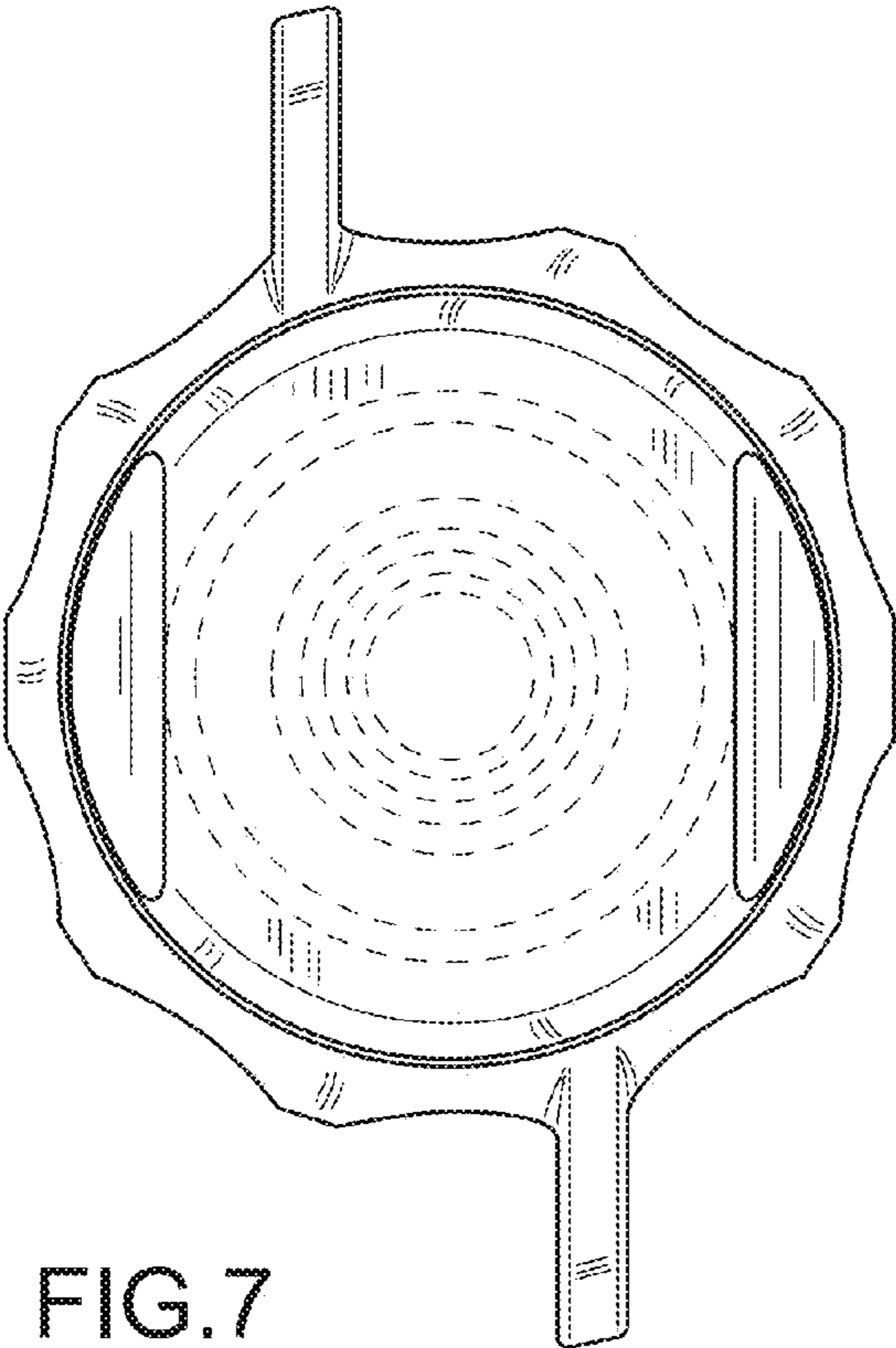


FIG. 7



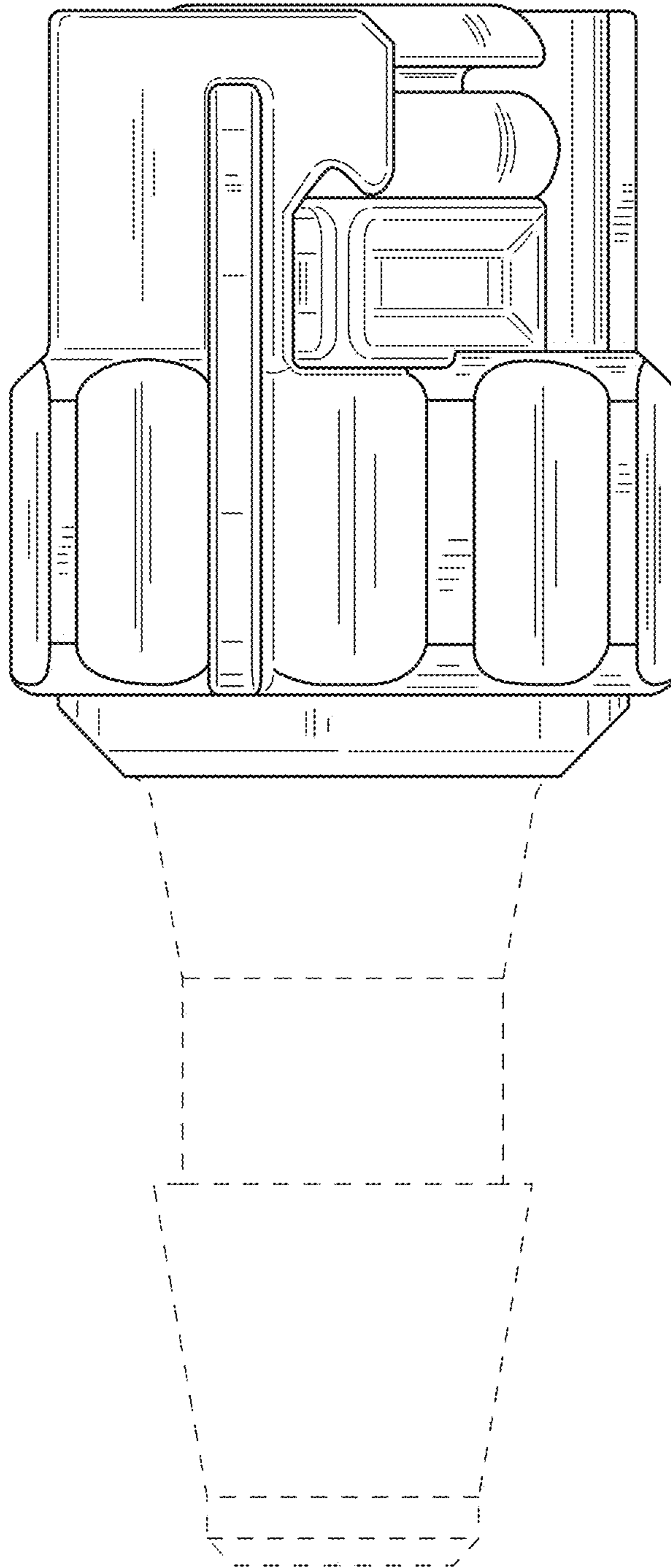


FIG. 8

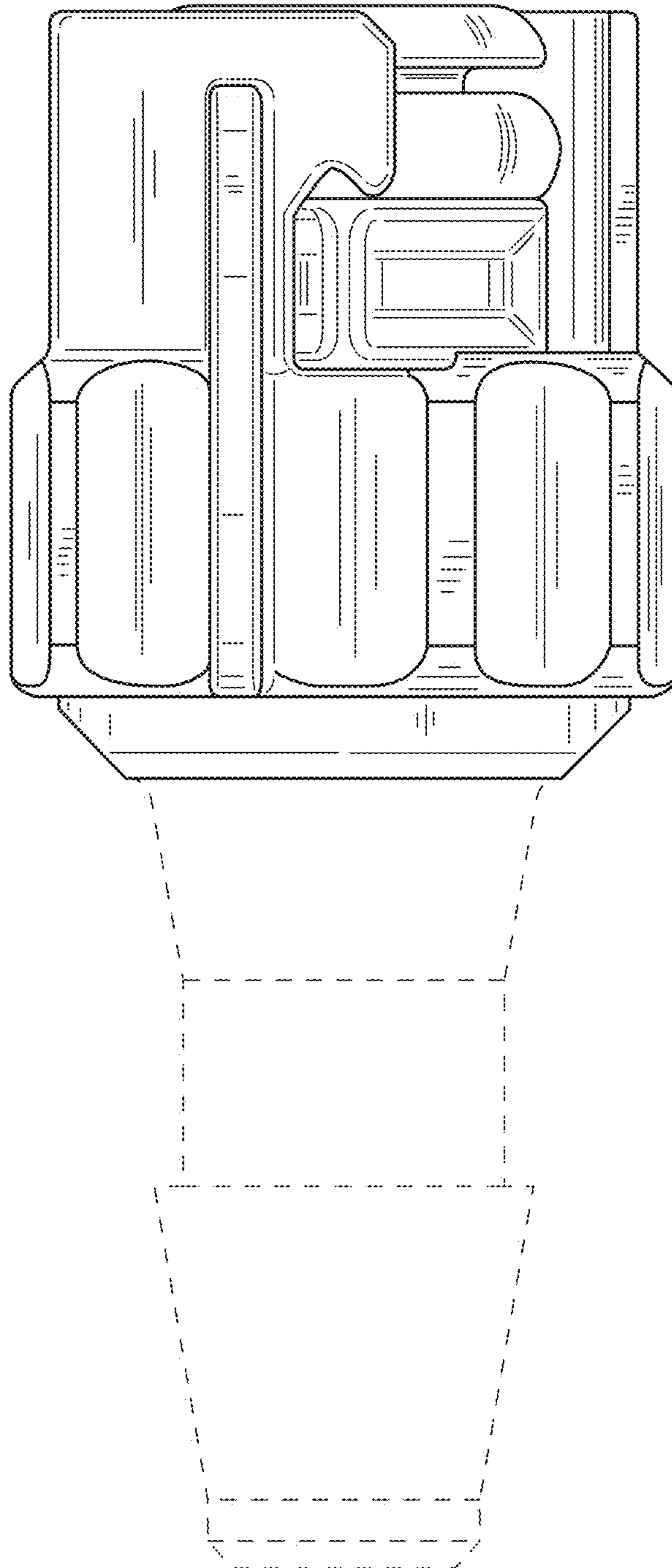


FIG. 9

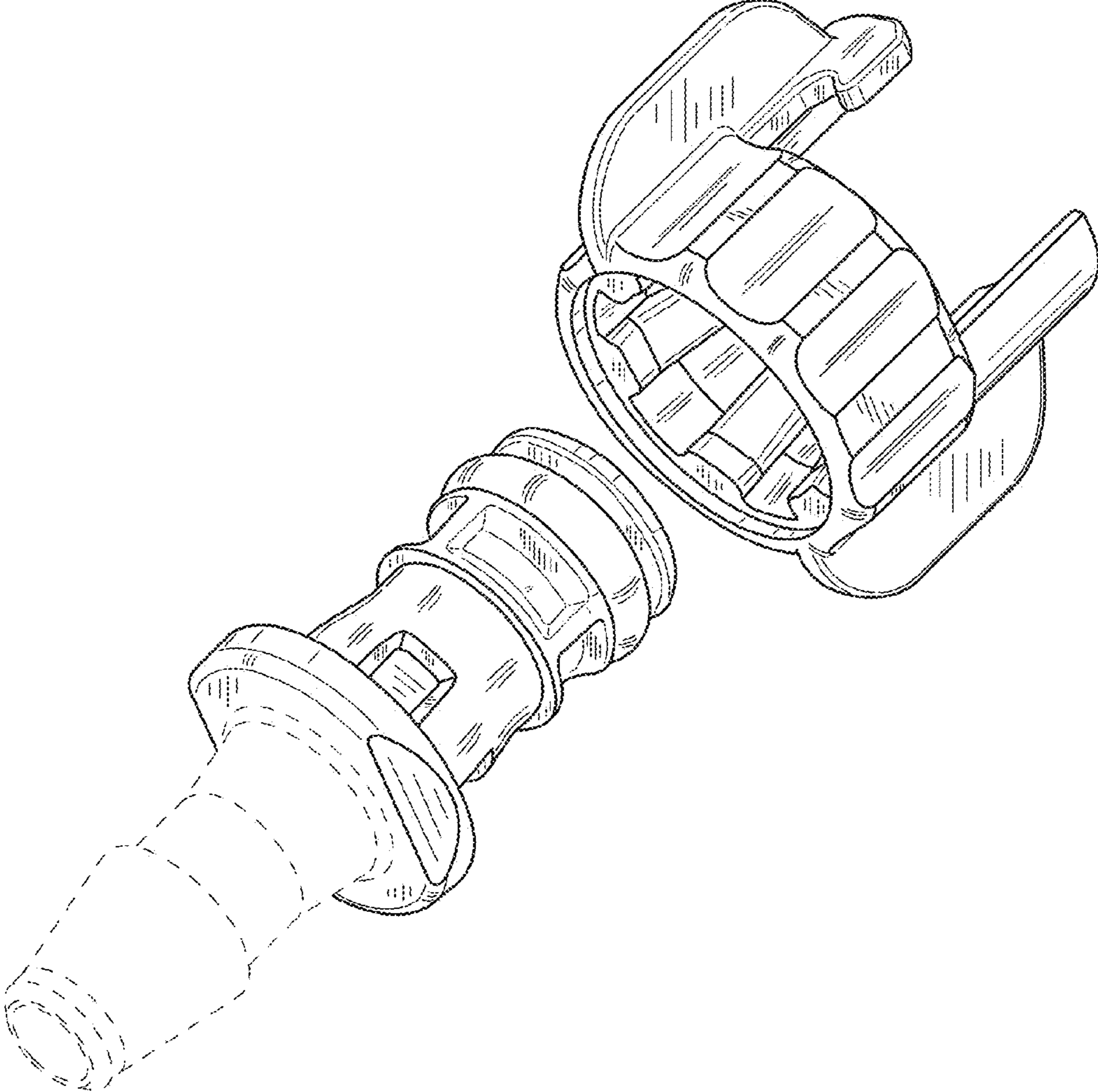


FIG.10

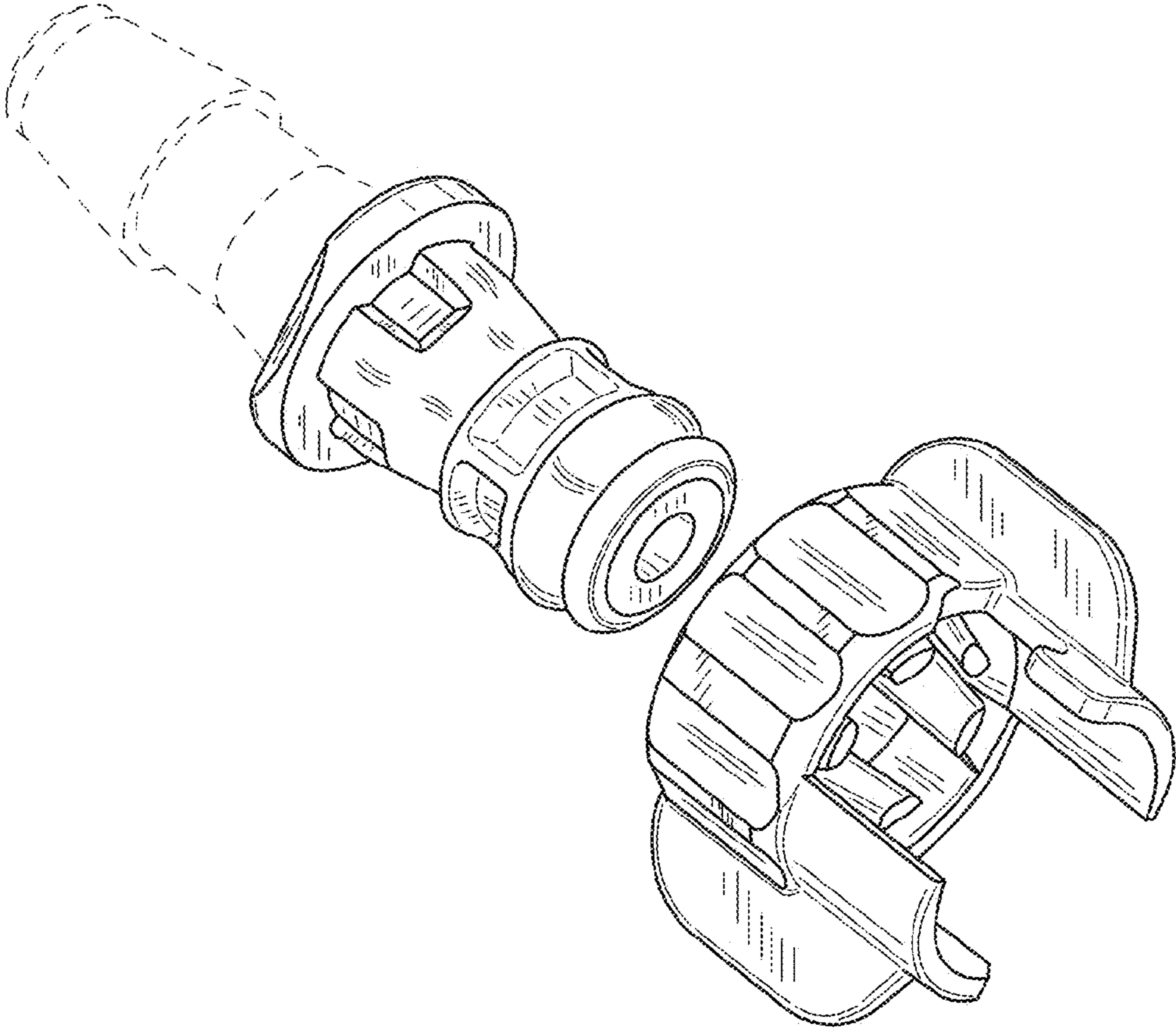


FIG.11

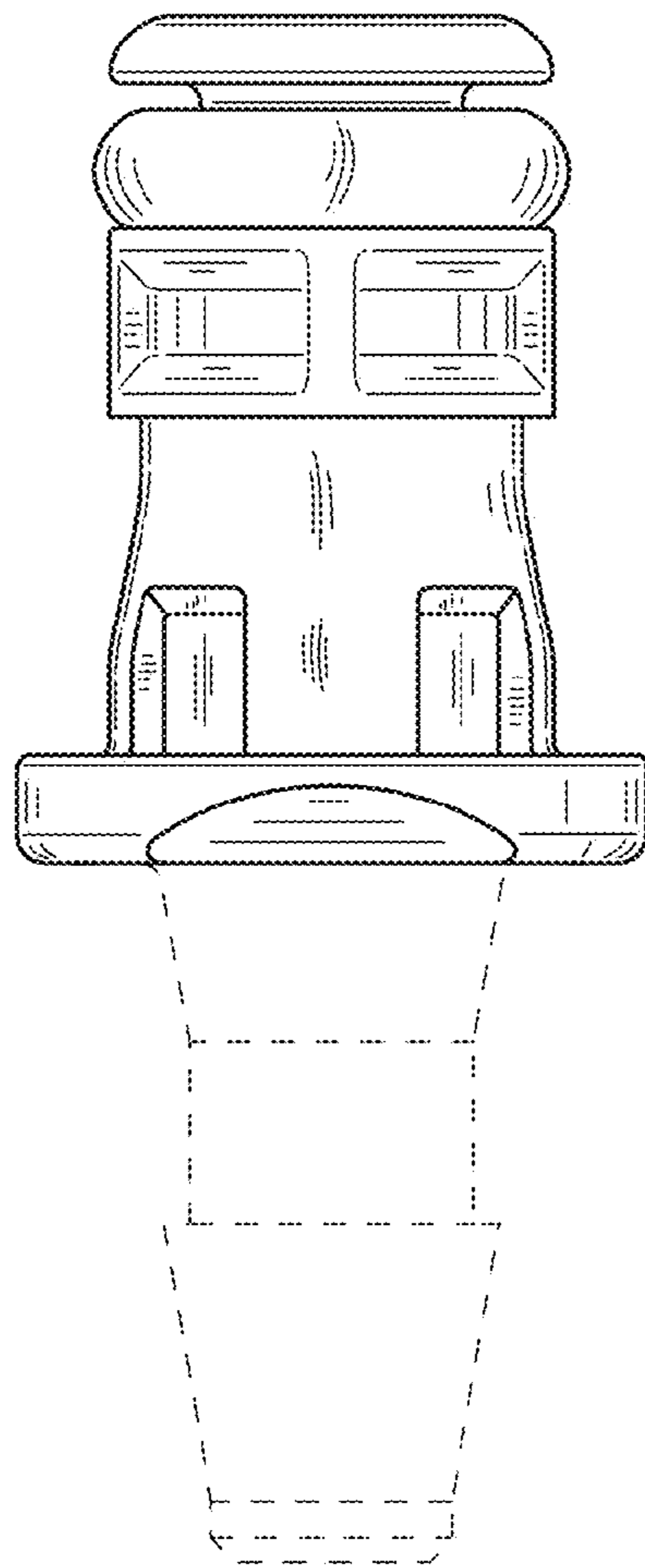
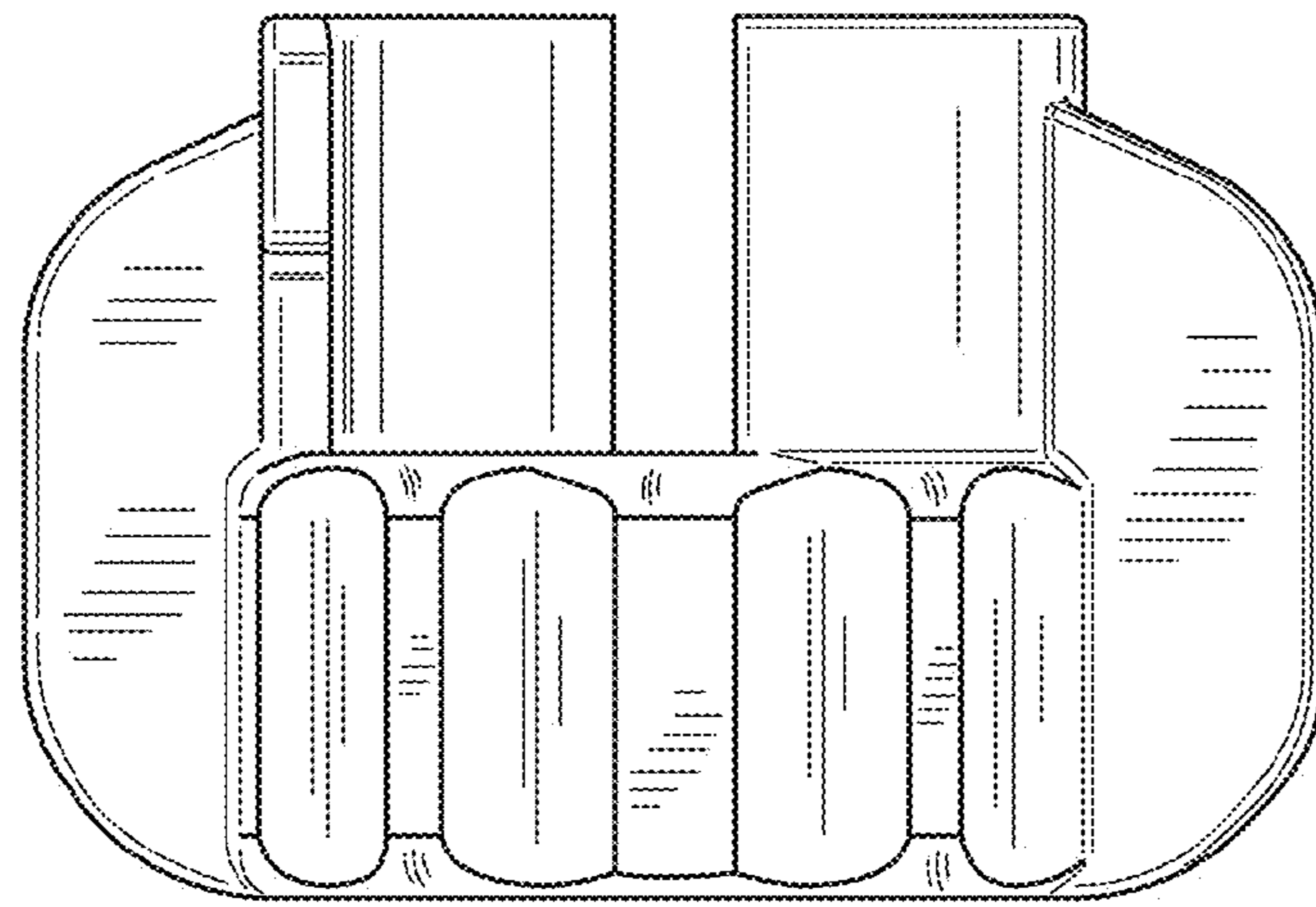


FIG.12

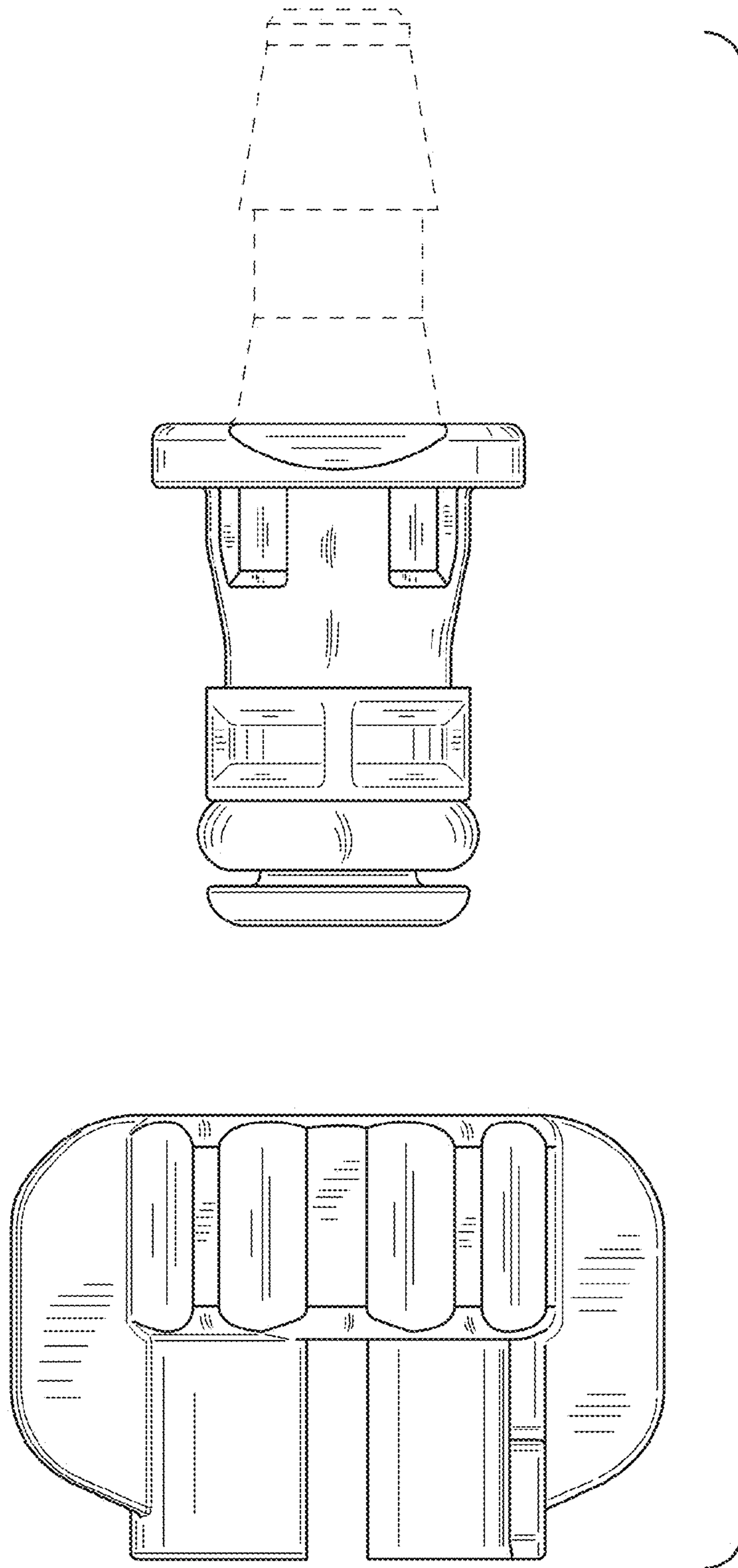


FIG. 13

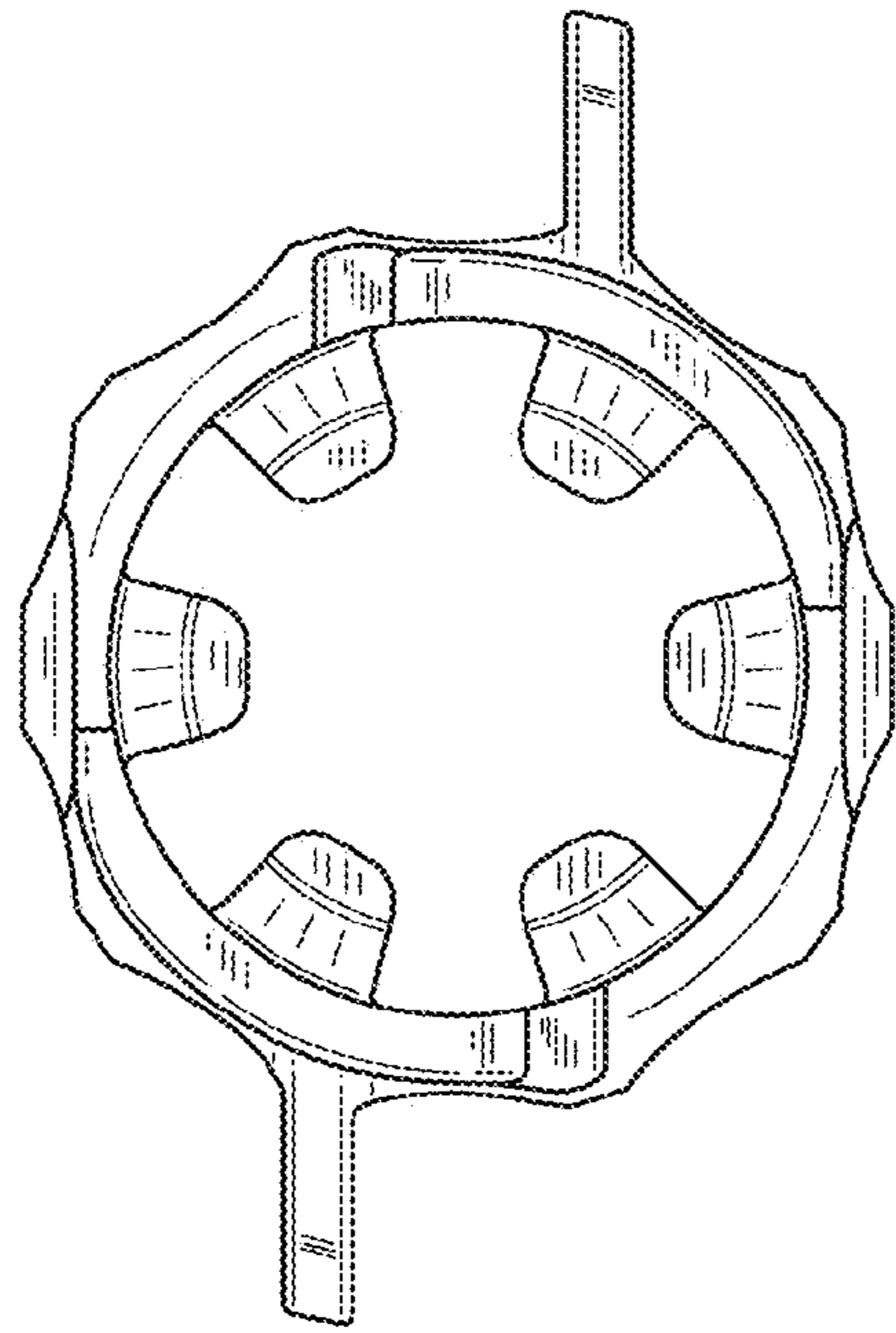


FIG. 14

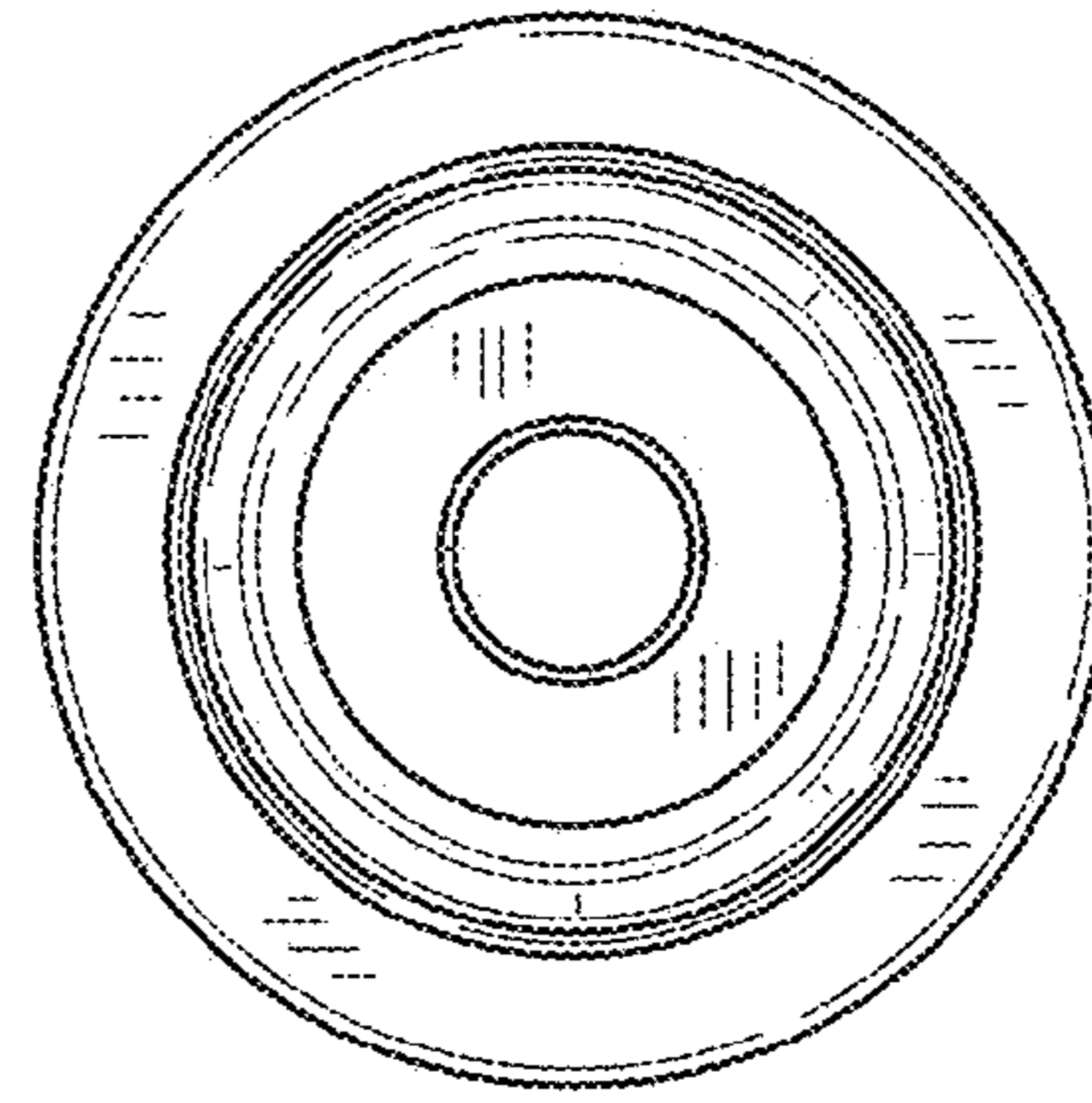


FIG. 15

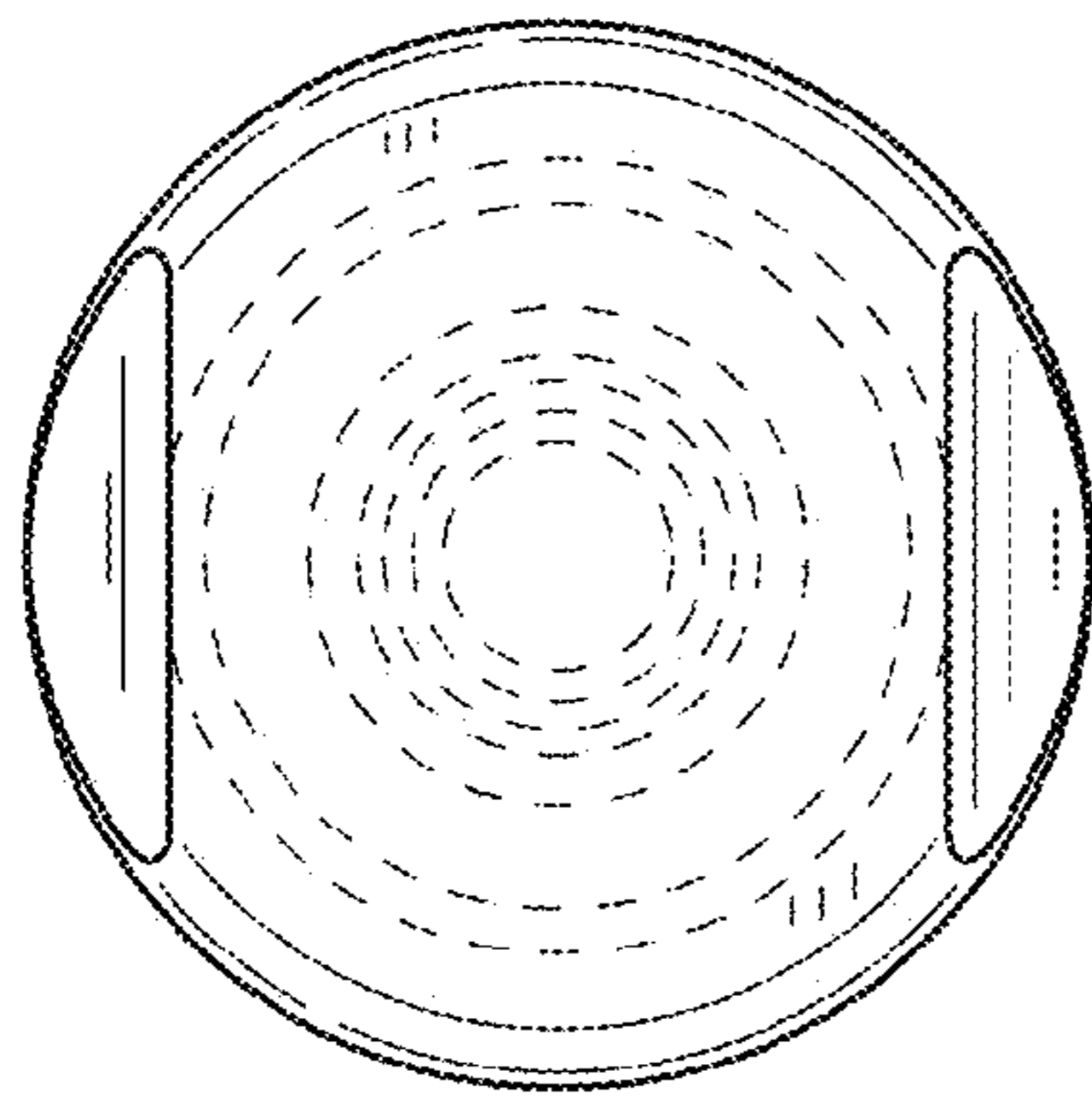


FIG. 16

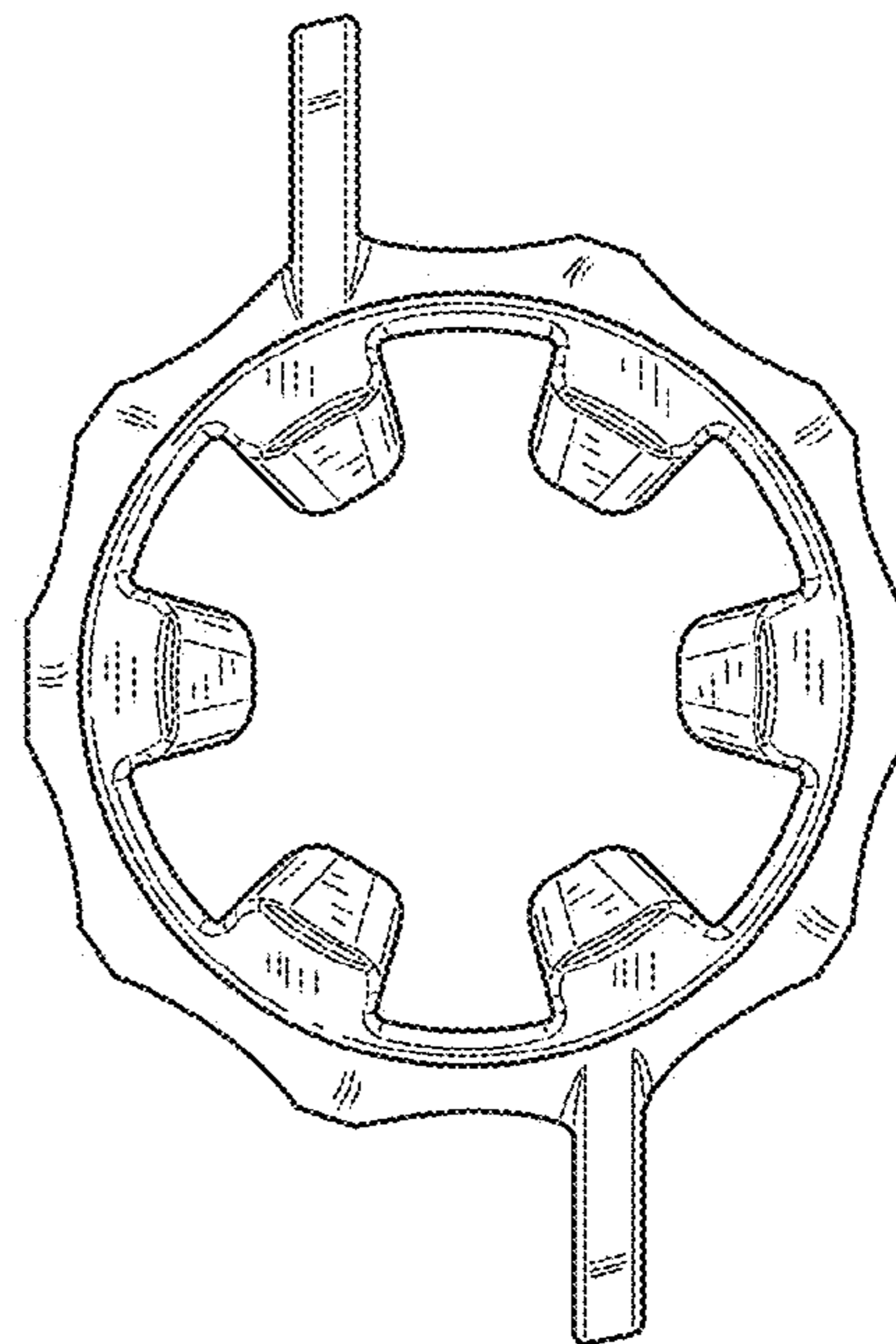


FIG. 17

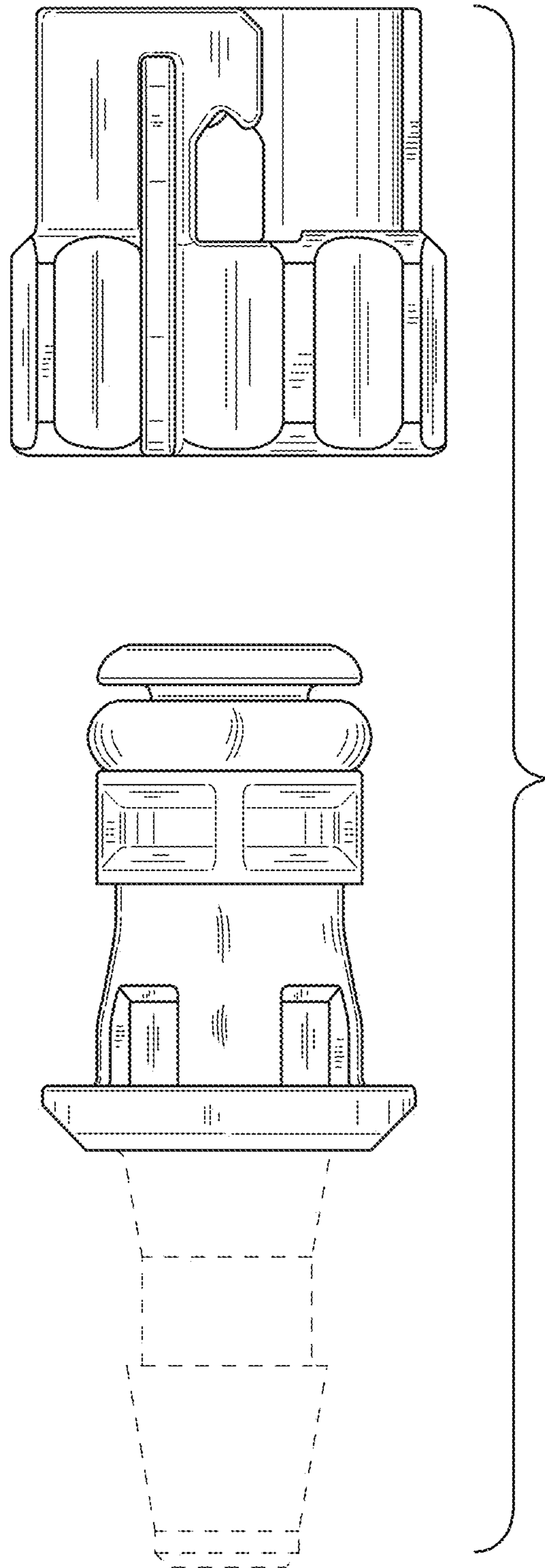


FIG. 18



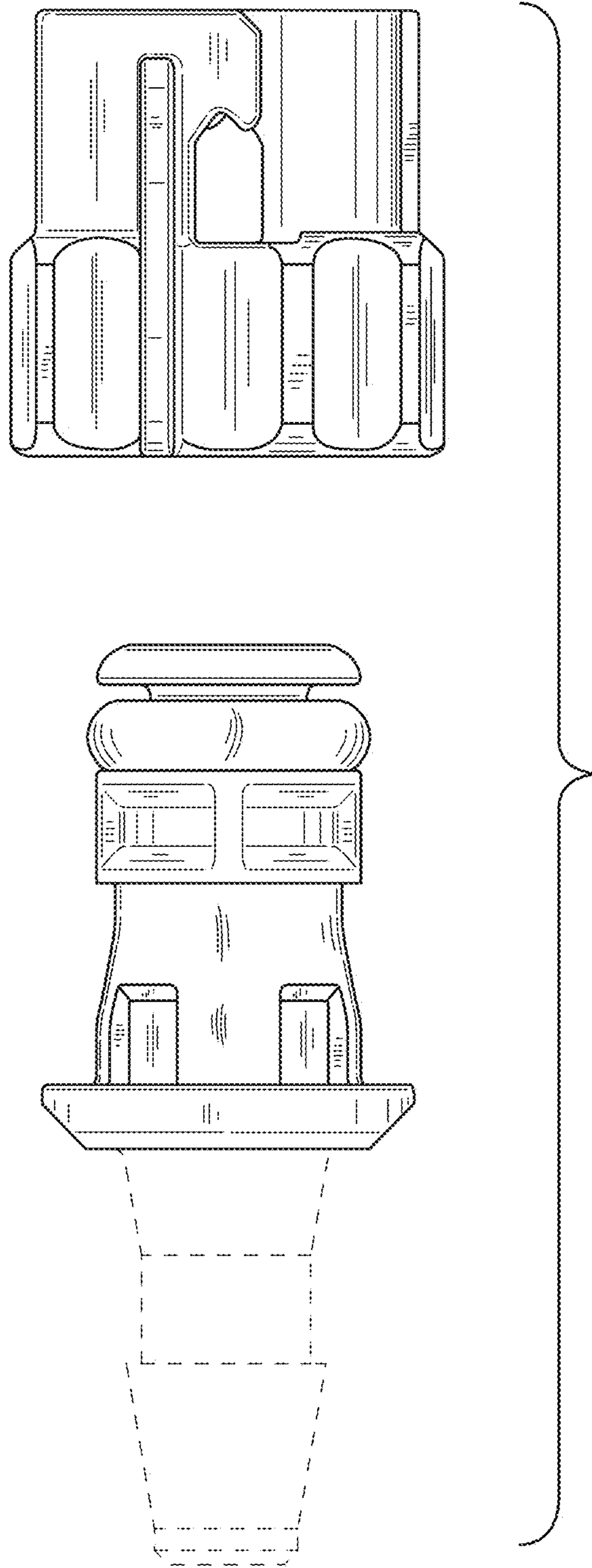


FIG.19

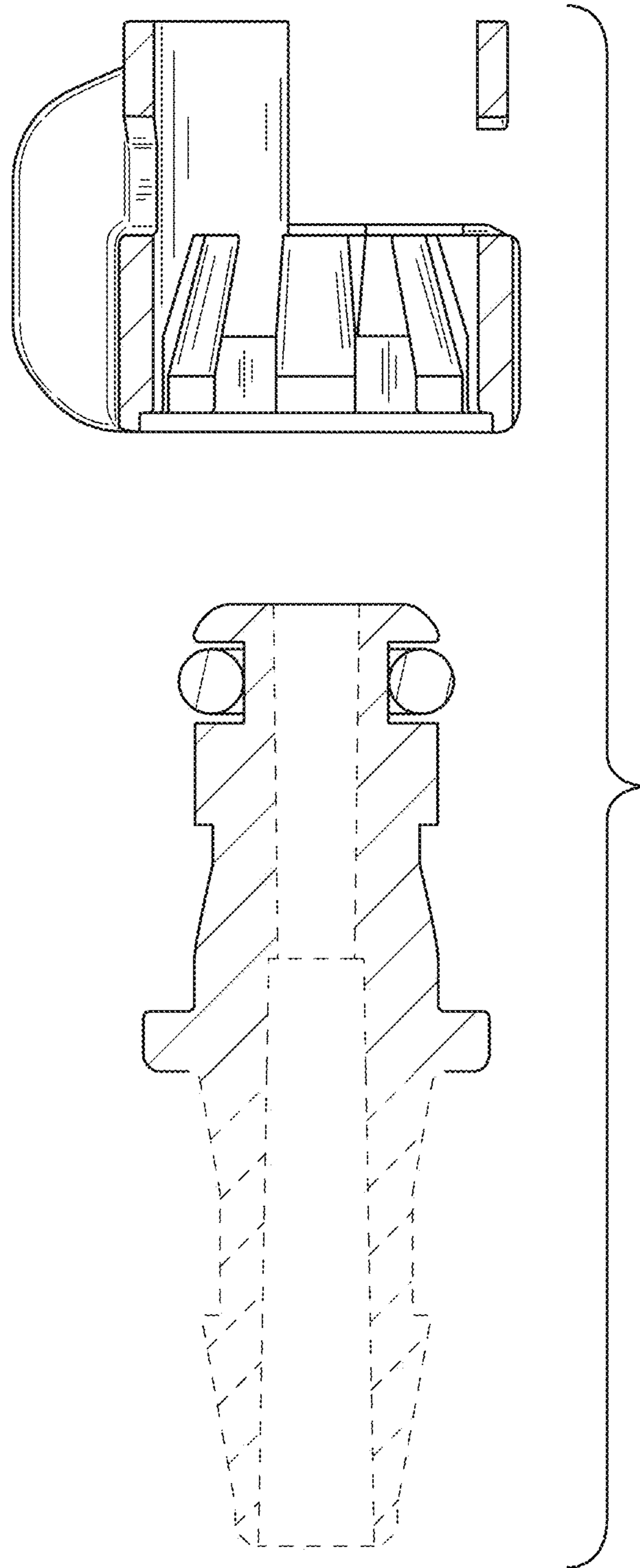


FIG. 20