



US00D726285S

(12) **United States Design Patent**
Menno et al.

(10) **Patent No.:** **US D726,285 S**
(45) **Date of Patent:** **** Apr. 7, 2015**

(54) **PIPE FITTING**

(75) Inventors: **Christopher A. Menno**, West Palm Beach, FL (US); **Timothy J. Demming**, West Palm Beach, FL (US)

(73) Assignee: **HDPE Solutions, LLC**, West Palm Beach, FL (US)

(**) Term: **14 Years**

(21) Appl. No.: **29/405,607**

(22) Filed: **Nov. 3, 2011**

(51) **LOC (10) Cl.** **23-01**

(52) **U.S. Cl.**
USPC **D23/259**

(58) **Field of Classification Search**
USPC D23/259, 262, 263, 265, 266; 285/369, 285/372, 373, 417, 133.11, 133.3, 133.21, 285/133.4-133.6

See application file for complete search history.

(56) **References Cited**

U.S. PATENT DOCUMENTS

459,910	A *	9/1891	Hogan	285/388
941,713	A *	11/1909	Jacobs	137/515.5
954,068	A *	4/1910	Willetts	285/133.4
1,132,619	A *	3/1915	Roehrich	285/148.6
1,138,946	A *	5/1915	Elliot	285/354
1,586,691	A *	6/1926	Murray, Jr.	219/105
1,949,197	A *	2/1934	Cornell, Jr.	29/890.148
2,227,716	A *	1/1941	Ingham	138/37
D132,938	S *	6/1942	Corley	D23/263
3,502,357	A *	3/1970	Wagner	403/205
3,874,714	A *	4/1975	Bebinger	285/354
4,221,228	A *	9/1980	Stoffel et al.	134/199

4,504,086	A *	3/1985	Carrow	285/133.5
6,202,284	B1 *	3/2001	Joblin	29/516
D454,940	S *	3/2002	Hoening	D23/259
6,567,529	B1 *	5/2003	Roark	381/423
D481,110	S *	10/2003	Snyder et al.	D23/263
6,696,174	B2 *	2/2004	Cercone et al.	428/626
6,874,970	B2 *	4/2005	Byrd	403/192
7,325,442	B1 *	2/2008	Pampinella et al.	73/49.8
D676,942	S *	2/2013	Kluss et al.	D23/262

* cited by examiner

Primary Examiner — Celia Murphy

Assistant Examiner — John Reickel

(74) *Attorney, Agent, or Firm* — McHale & Slavin P.A.

(57) **CLAIM**

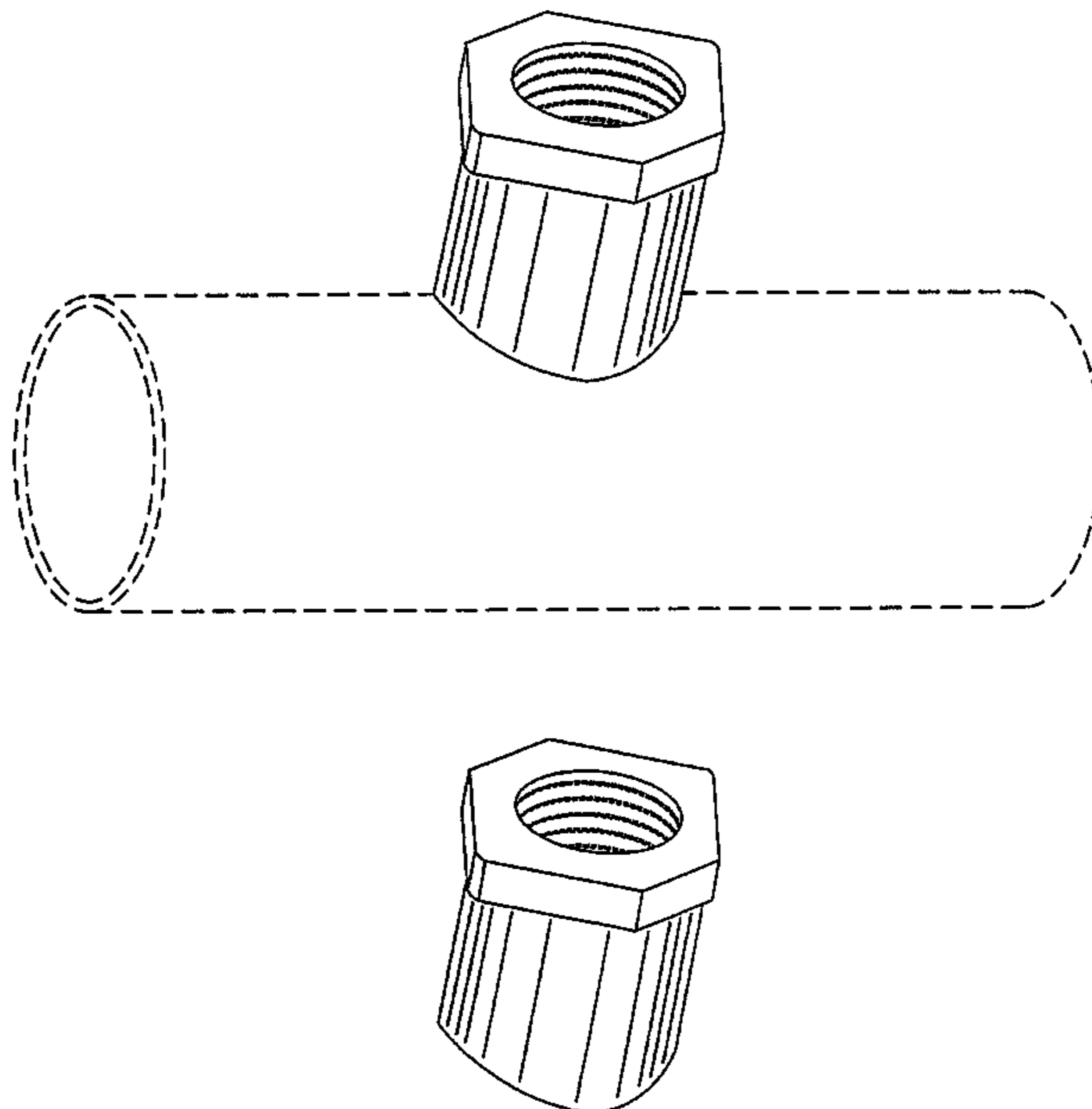
The ornamental design for a pipe fitting, as shown and described.

DESCRIPTION

FIG. 1 is an environmental view of the pipe fitting of the instant invention;
 FIG. 2 is a front left perspective view of the pipe fitting of the instant invention;
 FIG. 3 is a front view thereof, with the rear view being a mirror image of the front view;
 FIG. 4 is a right side view thereof, with the left side view being a mirror image of the right side view;
 FIG. 5 is a bottom view thereof; and,
 FIG. 6 is a top view thereof.

The portions of the figures illustrated in broken lines depict portions of the pipe fitting that are not part of the claimed subject matter.

1 Claim, 6 Drawing Sheets



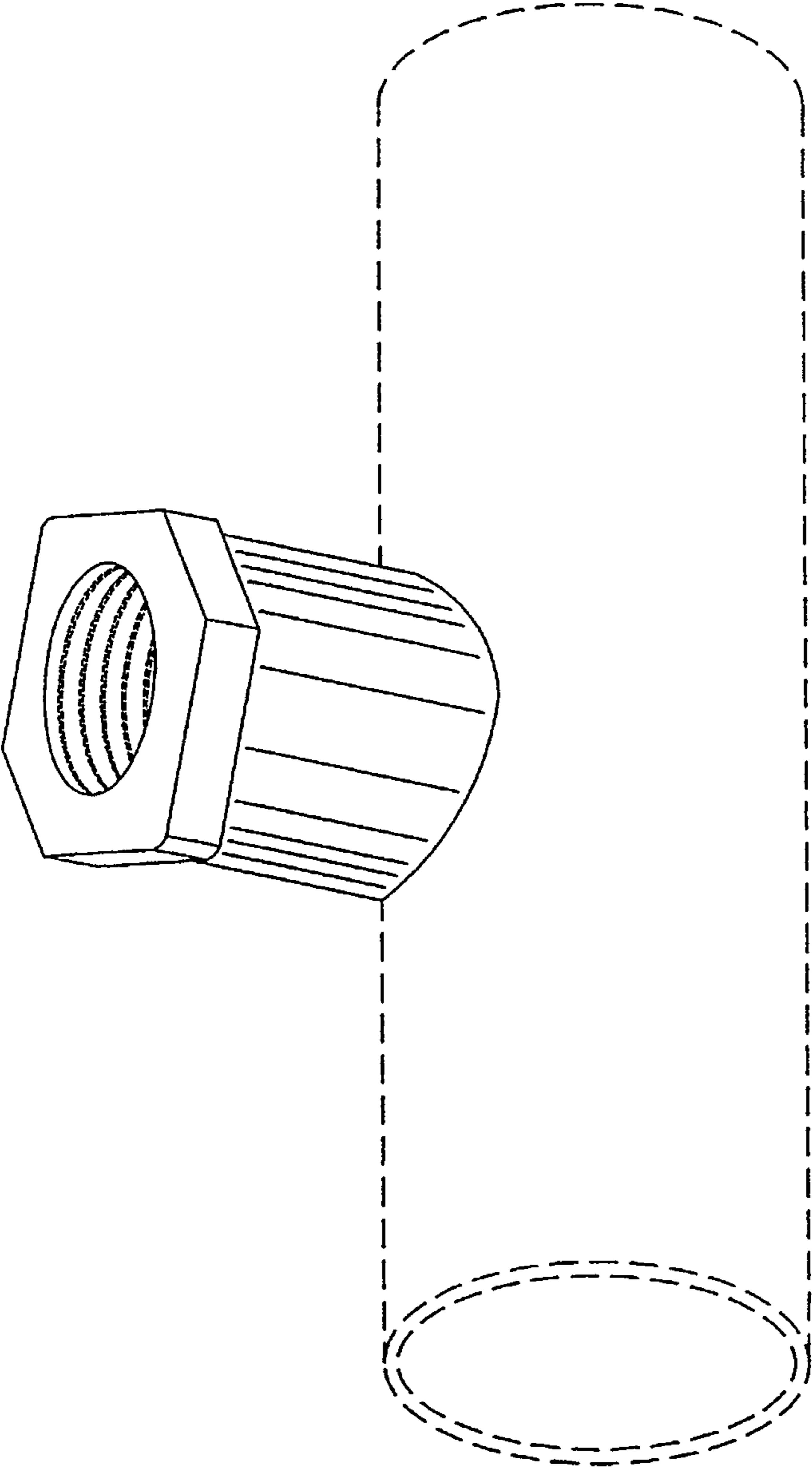


Fig. 1

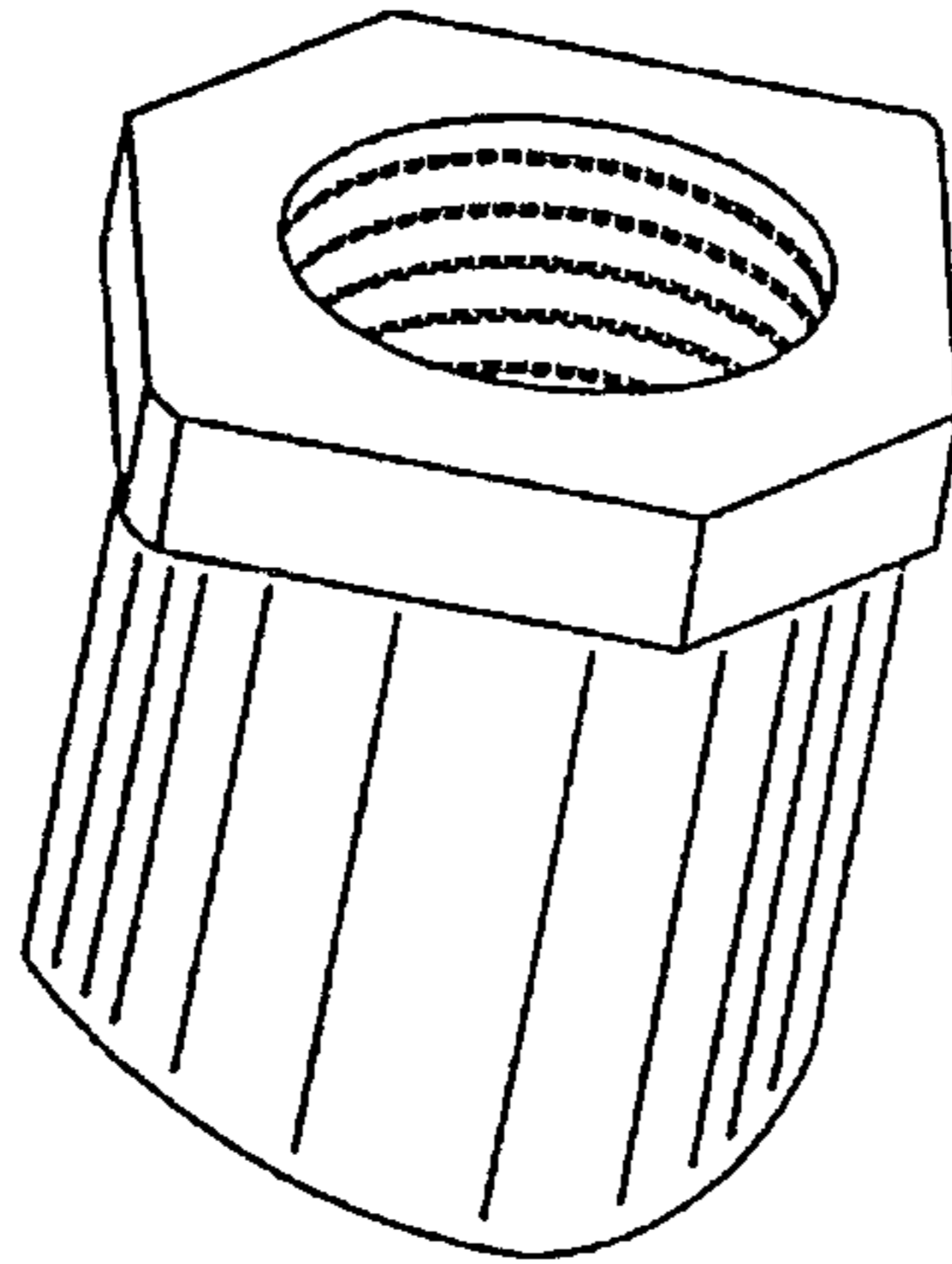


Fig. 2

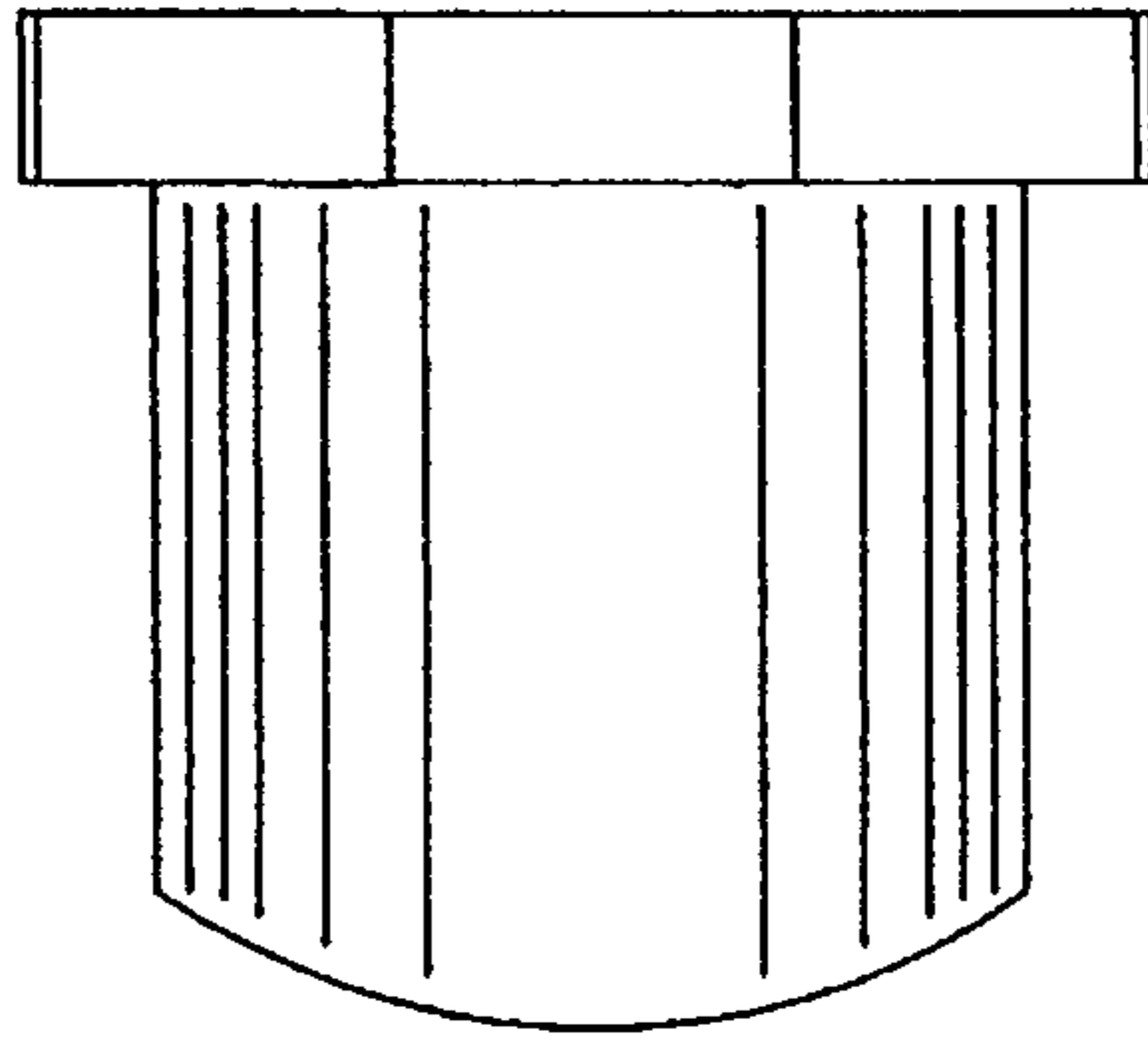


Fig. 3

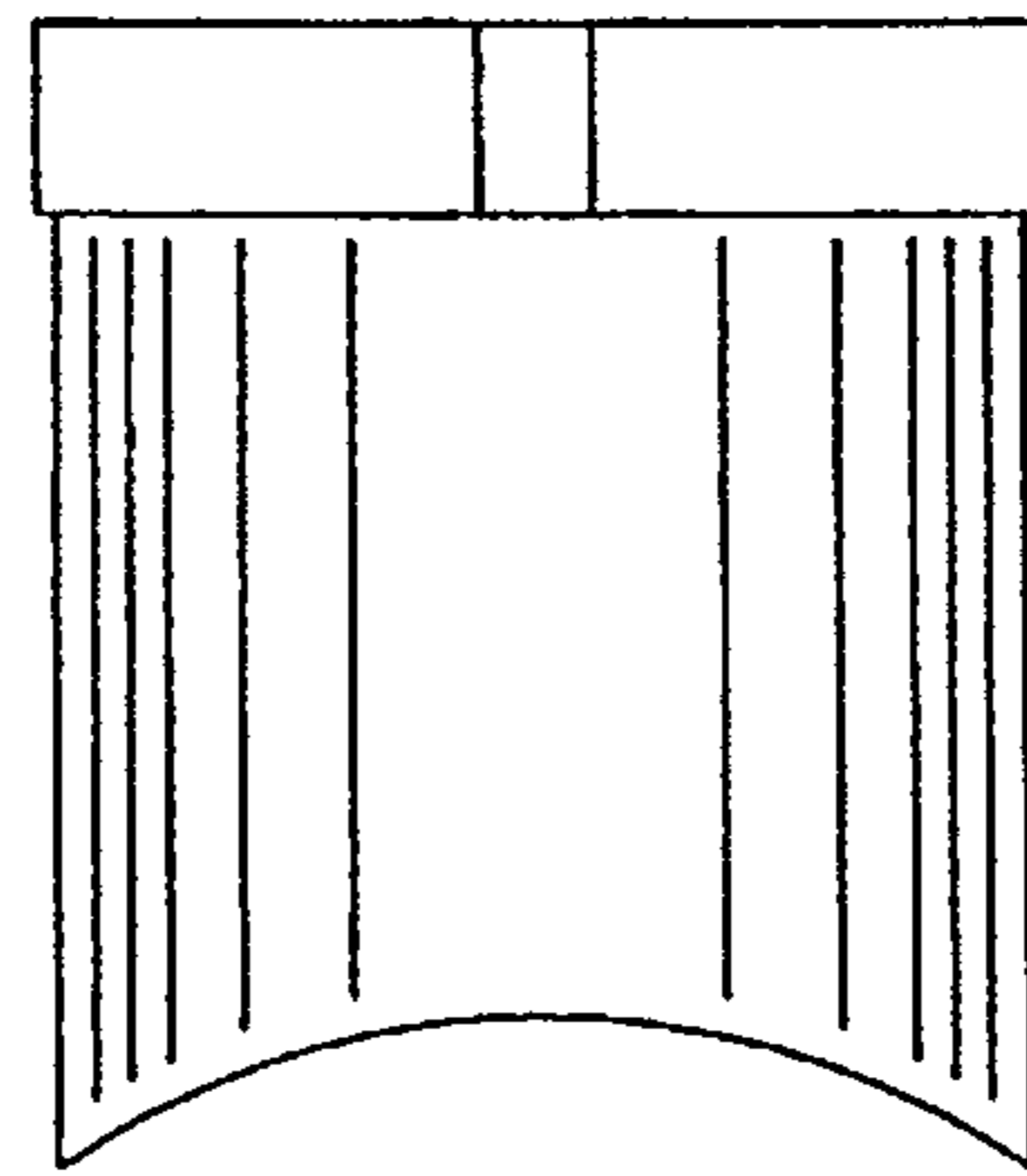


Fig. 4

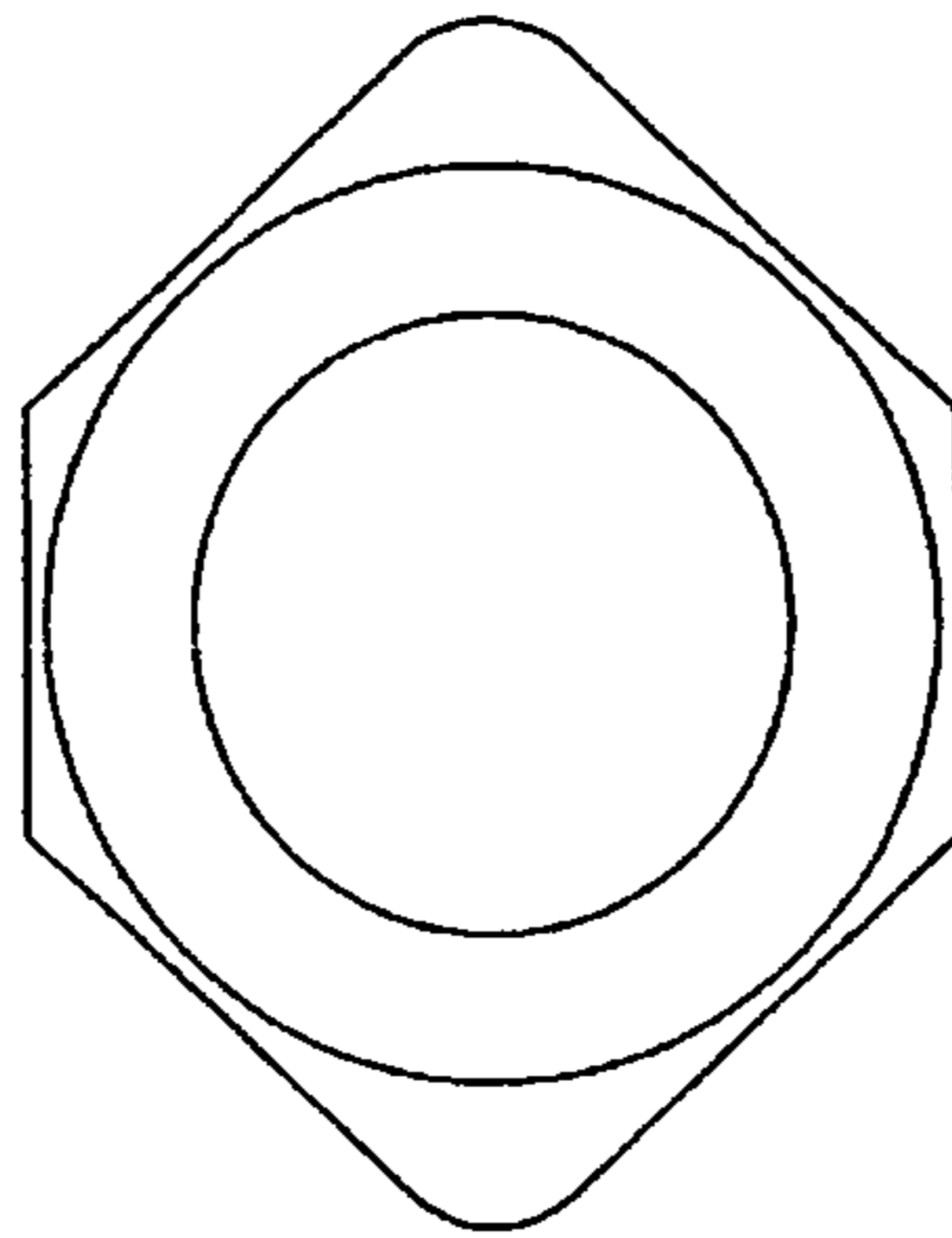


Fig. 5

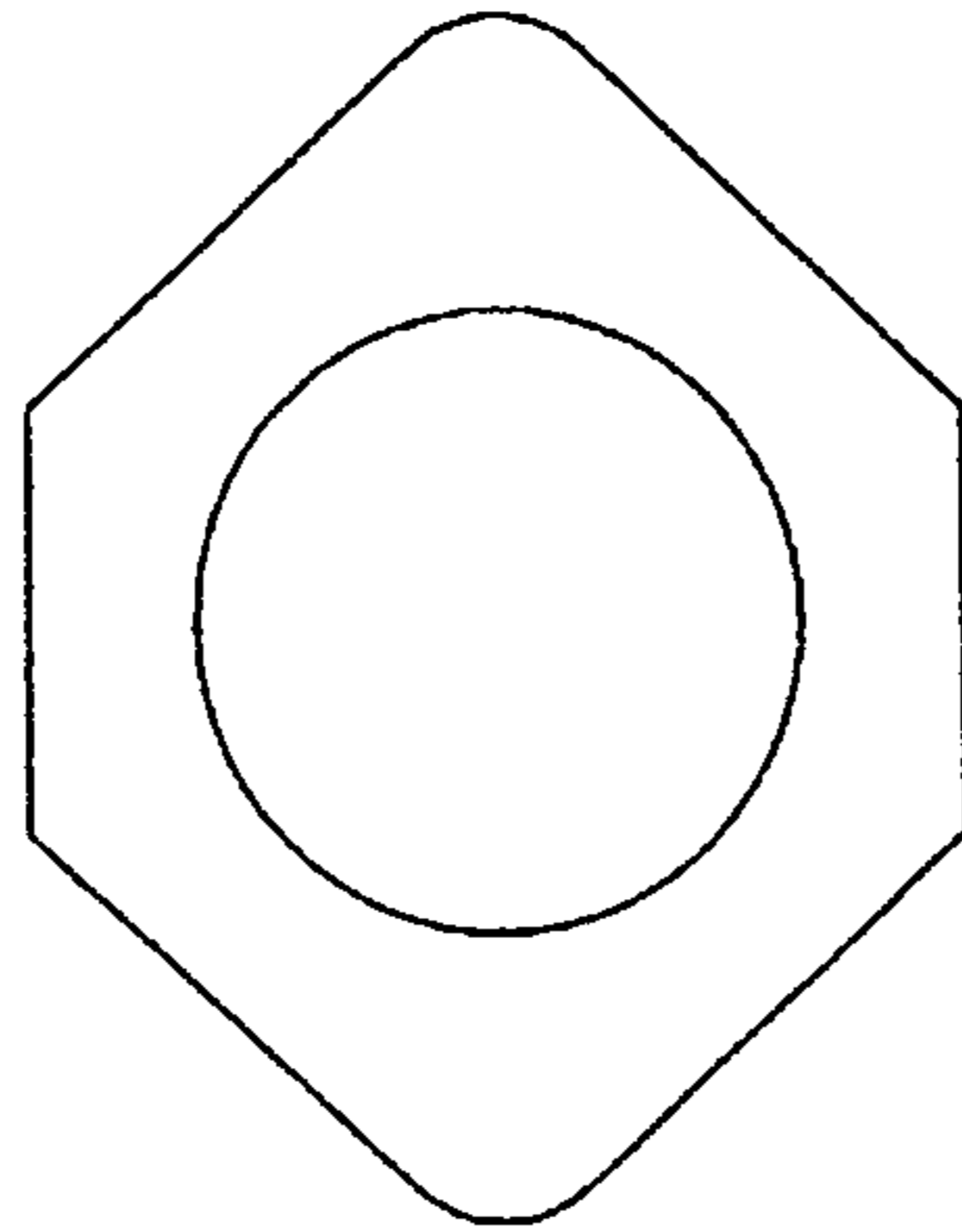


Fig. 6