



US00D726282S

(12) **United States Design Patent**
Ivy

(10) **Patent No.:** **US D726,282 S**

(45) **Date of Patent:** **** Apr. 7, 2015**

(54) **FOG-CLOUD GENERATING NOZZLE**

D462,109	S	8/2002	Adams	
6,488,098	B1 *	12/2002	Davis et al.	169/54
6,971,451	B2 *	12/2005	Schmieg	169/70
7,090,153	B2 *	8/2006	King et al.	239/553
8,308,082	B2	11/2012	Ivy	

(71) Applicant: **International Containment and Cooling Solutions, LLC**, Portland, OR (US)

* cited by examiner

(72) Inventor: **Eugene W. Ivy**, Portland, OR (US)

Primary Examiner — Robin V Webster

(**) Term: **14 Years**

(74) *Attorney, Agent, or Firm* — Scott T. Griggs; Griggs Bergen LLP

(21) Appl. No.: **29/485,213**

(22) Filed: **Mar. 17, 2014**

(57) **CLAIM**

(51) **LOC (10) Cl.** **23-01**

The ornamental design for a fog-cloud generating nozzle, as shown and described.

(52) **U.S. Cl.**

USPC **D23/213**

DESCRIPTION

(58) **Field of Classification Search**

USPC D23/213, 223, 226; 239/544, 575, 459; 169/70

See application file for complete search history.

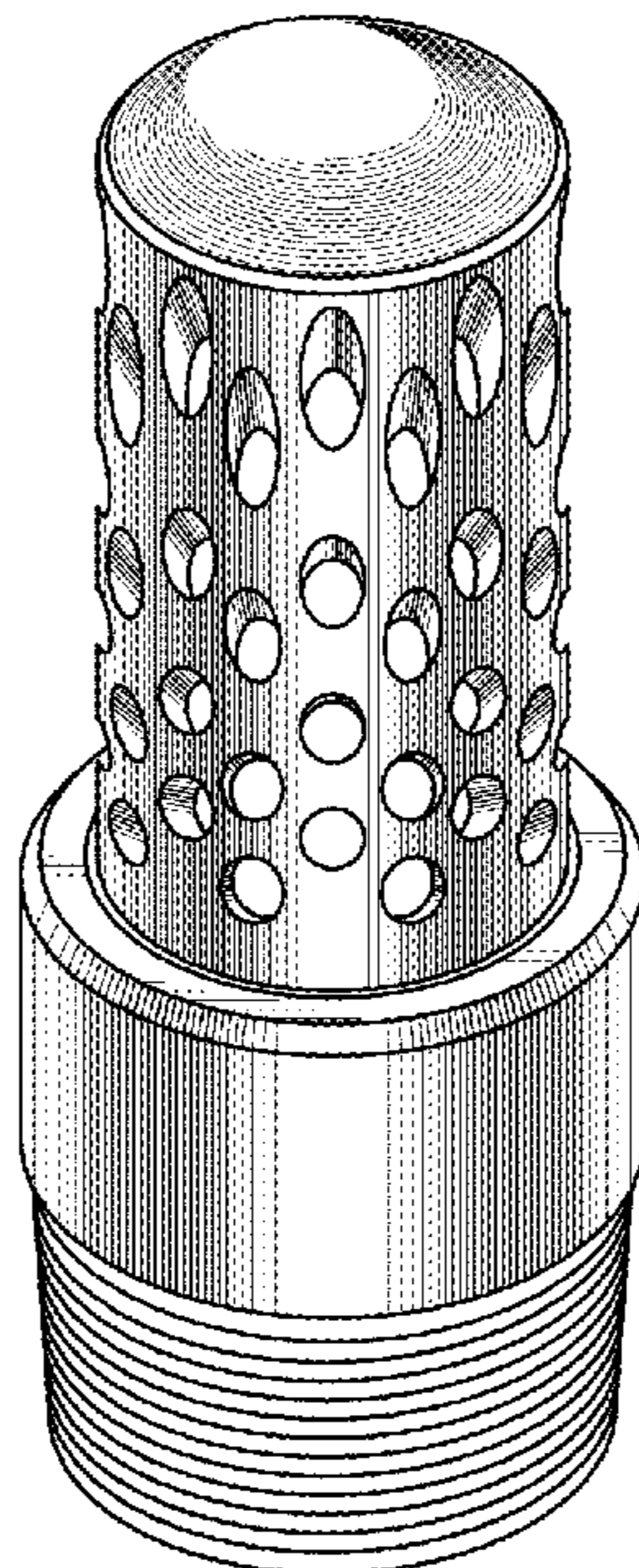
(56) **References Cited**

U.S. PATENT DOCUMENTS

409,796	A *	8/1889	Magaldi	169/70
2,499,092	A *	2/1950	Burnam	239/544
2,813,753	A *	11/1957	Roberts	239/271
3,116,018	A *	12/1963	Kunz	239/458
D210,600	S	3/1968	Werner	
D212,612	S	11/1968	Campbell	
D215,844	S	11/1969	Campbell	
3,713,589	A *	1/1973	McNair et al.	239/575
4,697,740	A *	10/1987	Ivy	239/271
D307,649	S *	5/1990	Henry	D23/213
D339,846	S	9/1993	Magee	
D351,642	S	10/1994	Mitchell	

FIG. 1 is a top perspective view of a fog-cloud generating nozzle showing the new design;
 FIG. 2 is a bottom perspective view of the fog-generating nozzle presented in FIG. 1;
 FIG. 3 is a top plan view of the fog-generating nozzle presented in FIG. 1;
 FIG. 4 is a bottom plan view of the fog-generating nozzle presented in FIG. 1;
 FIG. 5 is a front elevation view of the fog-generating nozzle presented in FIG. 1;
 FIG. 6 is a front elevation view of the fog-generating nozzle presented in FIG. 5, with a 90 degree rotation, to visually demonstrate the rotational symmetry; and,
 FIG. 7 is a cross-section view of the fog-generating nozzle presented in FIG. 1.

1 Claim, 1 Drawing Sheet



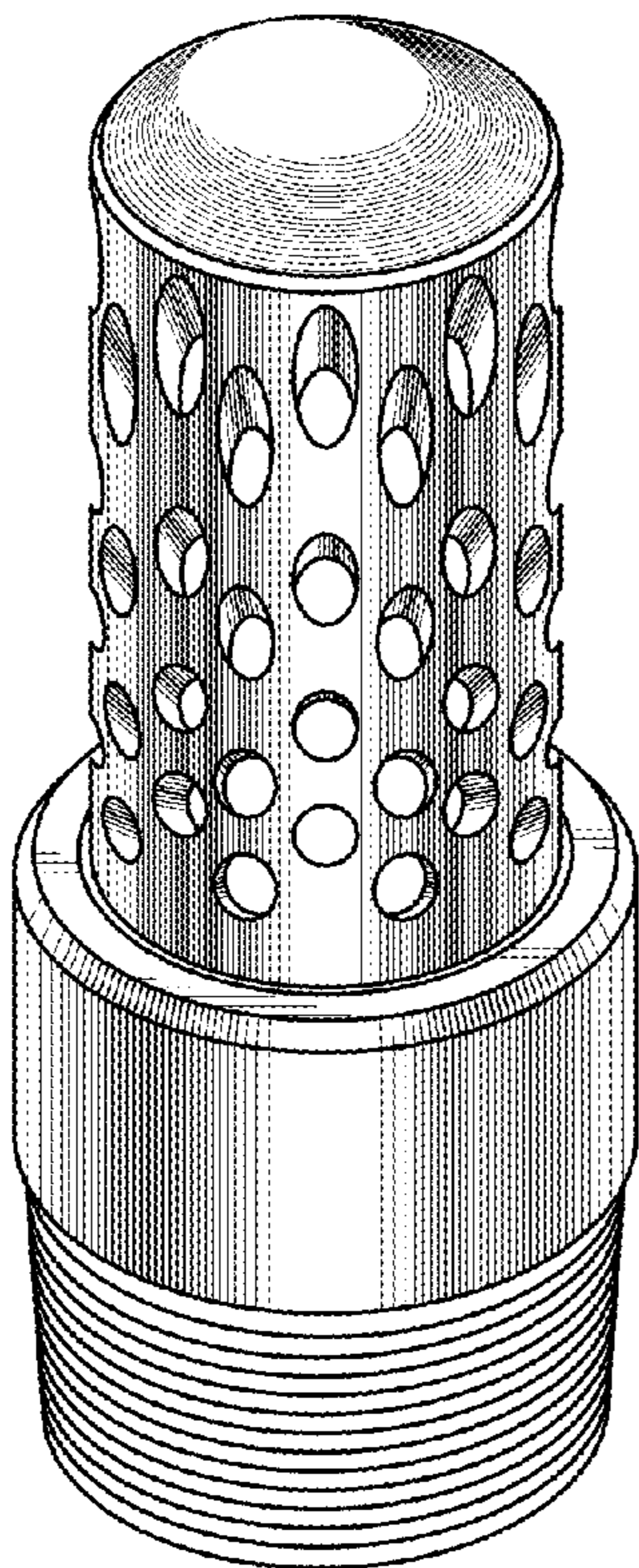


Fig.1

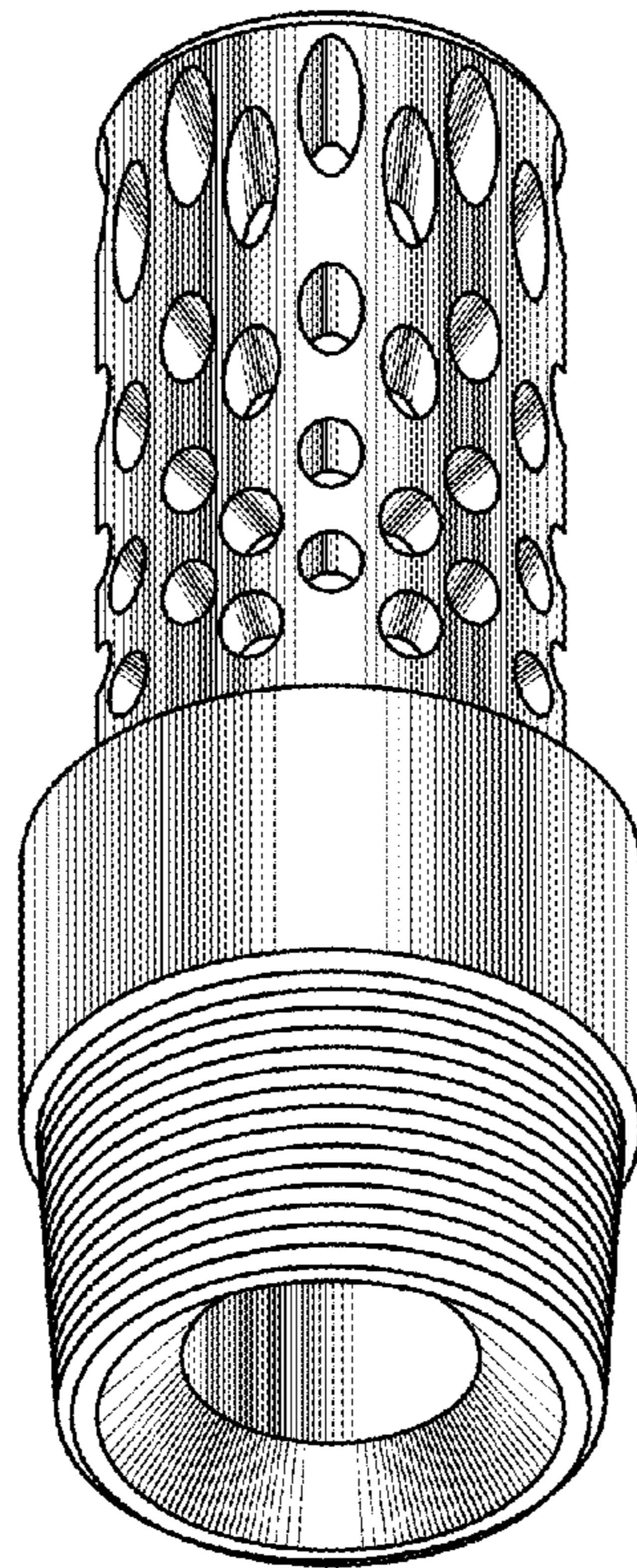


Fig.2

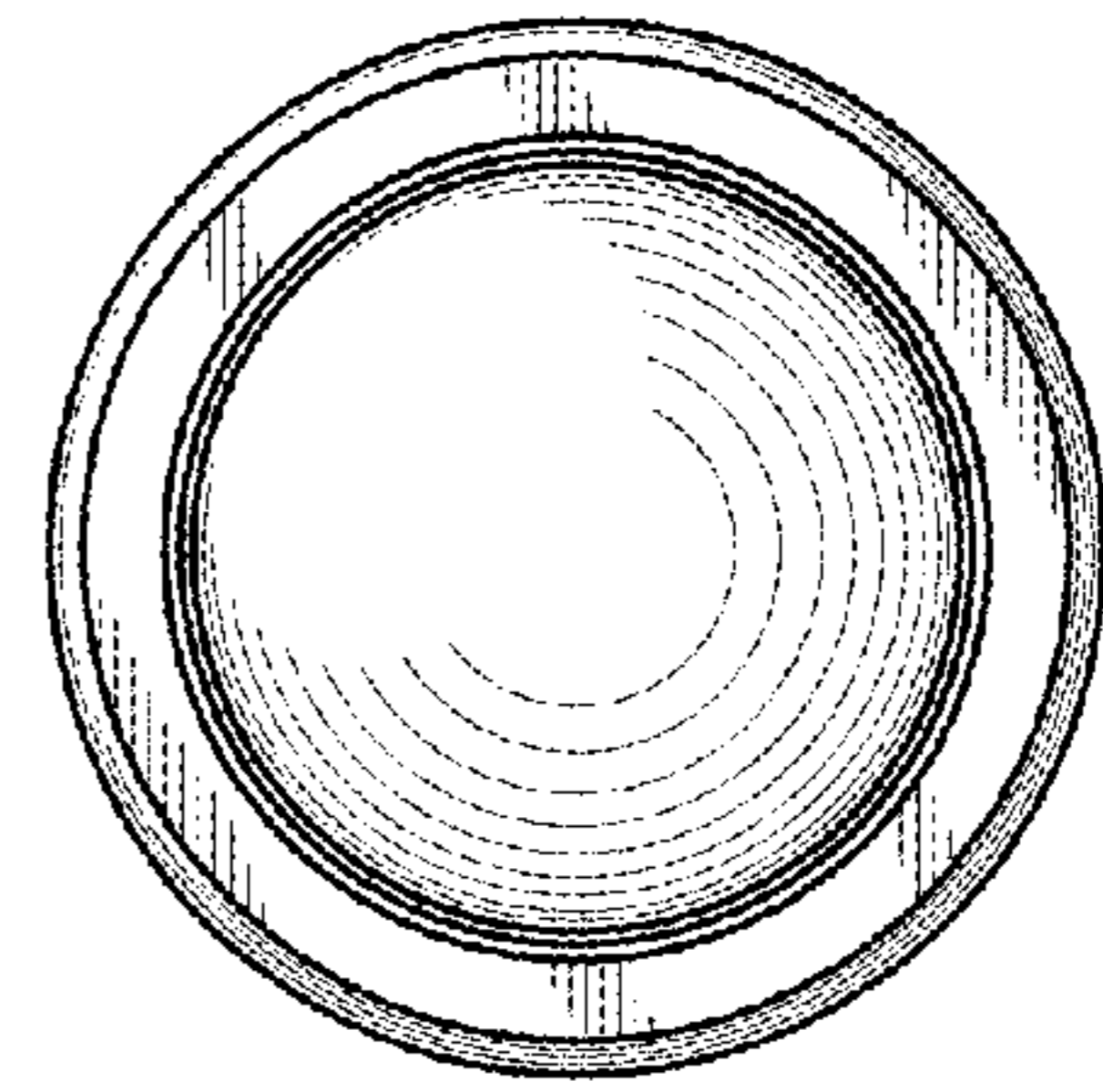


Fig.3

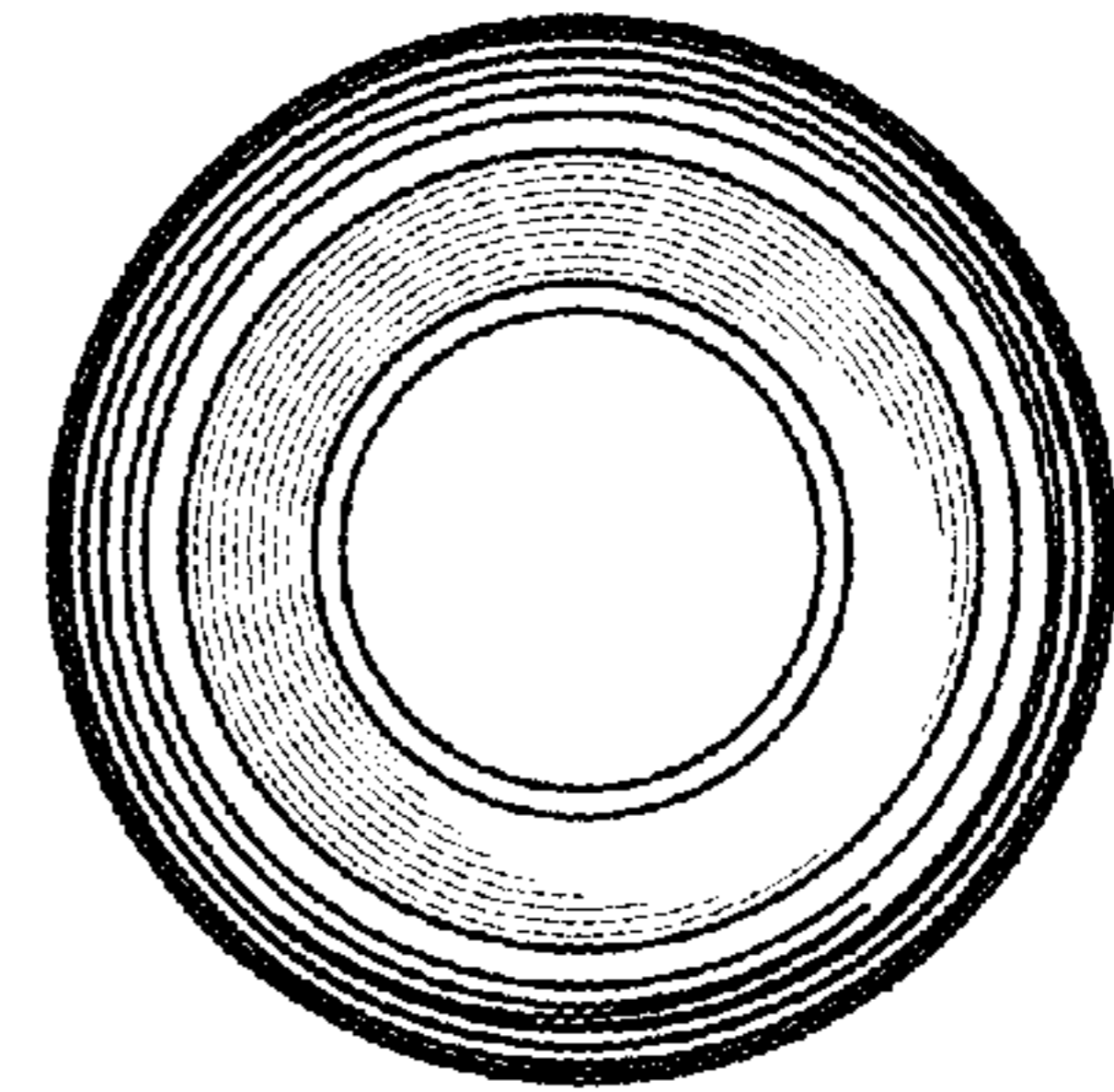


Fig.4

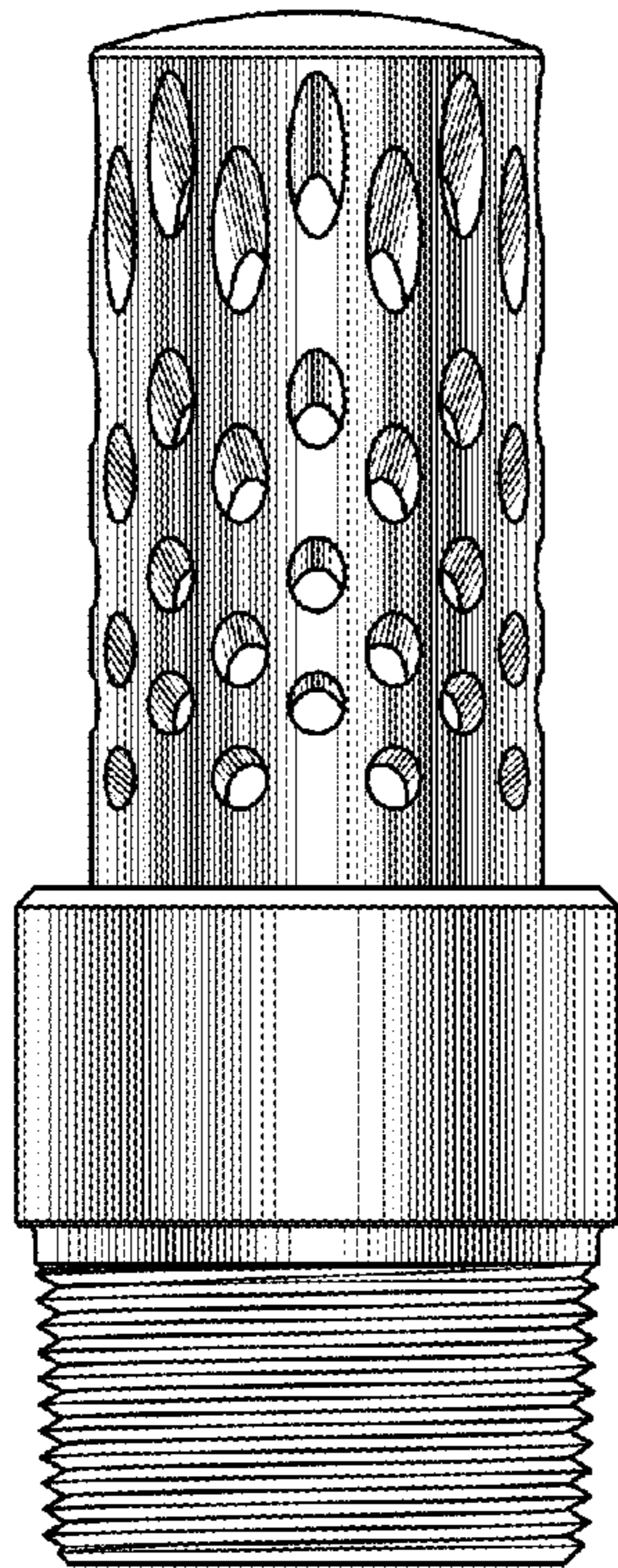


Fig.5

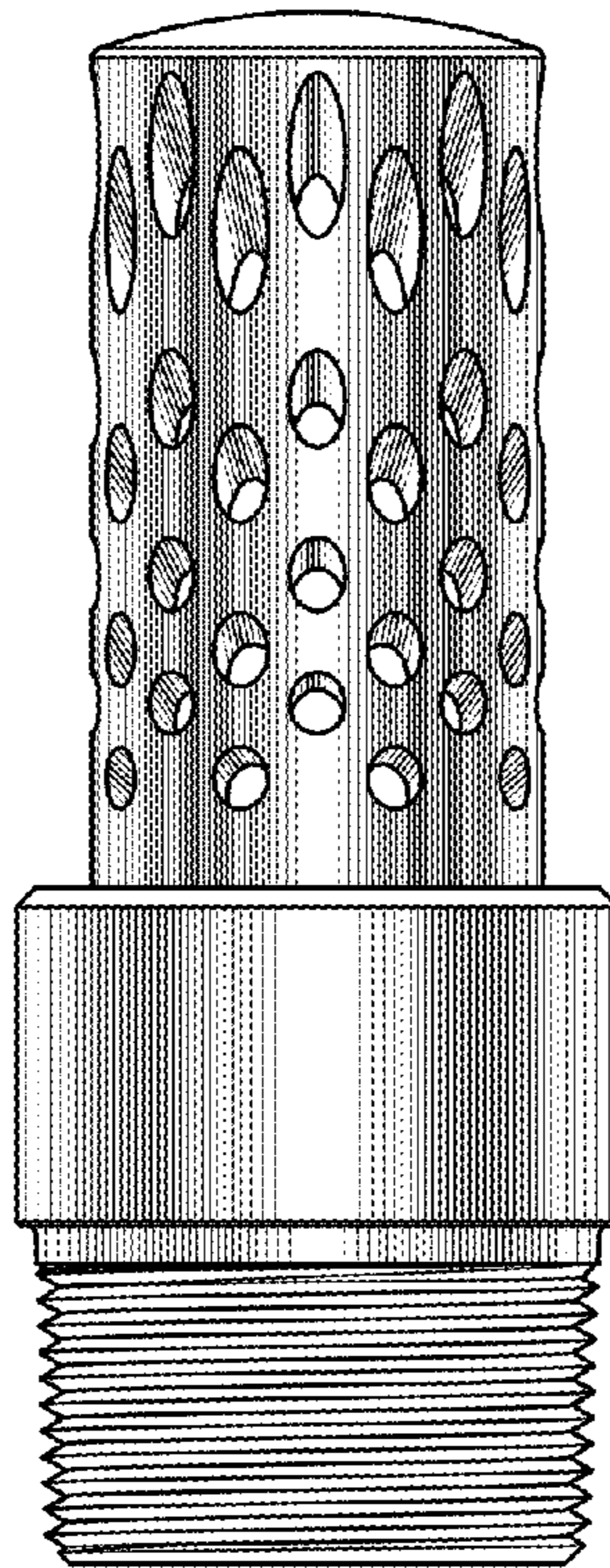


Fig.6

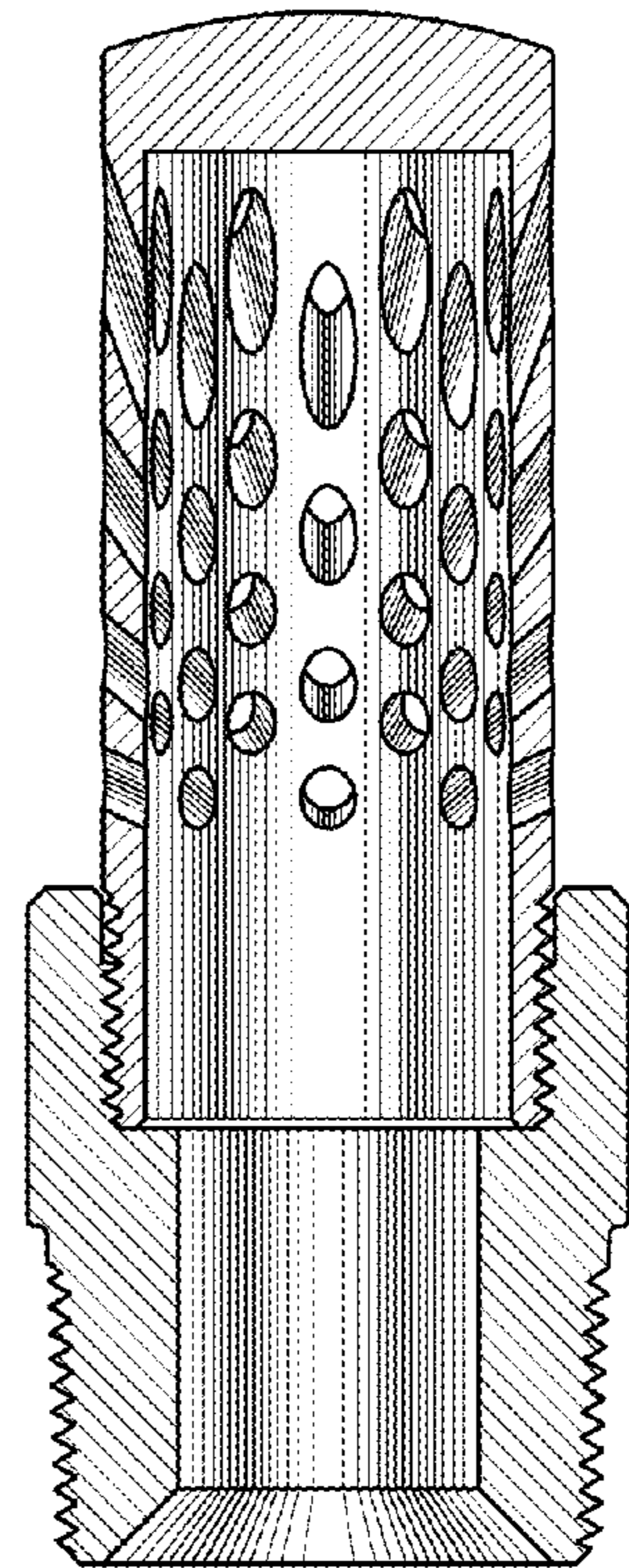


Fig.7