



US00D726279S

(12) **United States Design Patent**
Stedman

(10) **Patent No.:** **US D726,279 S**
(45) **Date of Patent:** **** Apr. 7, 2015**

(54) **FIREARM MAGAZINE BASEPLATE**

(71) Applicant: **Roy William Stedman**, Austin, TX (US)

(72) Inventor: **Roy William Stedman**, Austin, TX (US)

(**) Term: **14 Years**

(21) Appl. No.: **29/477,927**

(22) Filed: **Dec. 30, 2013**

(51) **LOC (10) Cl.** **22-01**

(52) **U.S. Cl.**
USPC **D22/108**

(58) **Field of Classification Search**

CPC F41A 9/61; F41A 9/62; F41A 9/63;
F41A 9/64; F41A 9/65; F41A 9/68; F41A
9/69; F41A 9/73; F41A 9/74; F41A 9/75;
F41A 9/79; F41A 9/86
USPC D22/108; D21/572-573; 124/66-67,
124/74; 42/51, 71.01, 75.01, 75.02, 90, 94;
362/110; 89/40.06, 37.04, 33.04,
89/191.01

See application file for complete search history.

(56) **References Cited**

U.S. PATENT DOCUMENTS

D362,044 S * 9/1995 Sniezak D22/108
6,481,136 B1 * 11/2002 Fitzpartick 42/50
D642,647 S * 8/2011 Fitzpatrick et al. D22/108
8,061,255 B1 * 11/2011 Boberg 89/33.1
8,793,919 B1 * 8/2014 Probst et al. 42/108

2010/0043270 A1 * 2/2010 Mantas 42/49.01
2010/0263254 A1 * 10/2010 Glock 42/71.02
2011/0030259 A1 * 2/2011 Castro et al. 42/6
2013/0333261 A1 * 12/2013 Clifton et al. 42/50
2014/0373416 A1 * 12/2014 Barnhart 42/50

* cited by examiner

Primary Examiner — Michael A Pratt

(57) **CLAIM**

The ornamental design for a firearm magazine baseplate, substantially as shown and described.

DESCRIPTION

FIG. 1 is an isometric view of the bottom of a firearm magazine baseplate which has a concave indent in the bottom surface.

FIG. 2 is an isometric view of the top rear thereof;

FIG. 3 is a bottom plan view thereof with lines 4-4 and 5-5 indicating horizontal cross sections;

FIG. 4 is a cross-section view thereof taken along line 4-4 of FIG. 3; and,

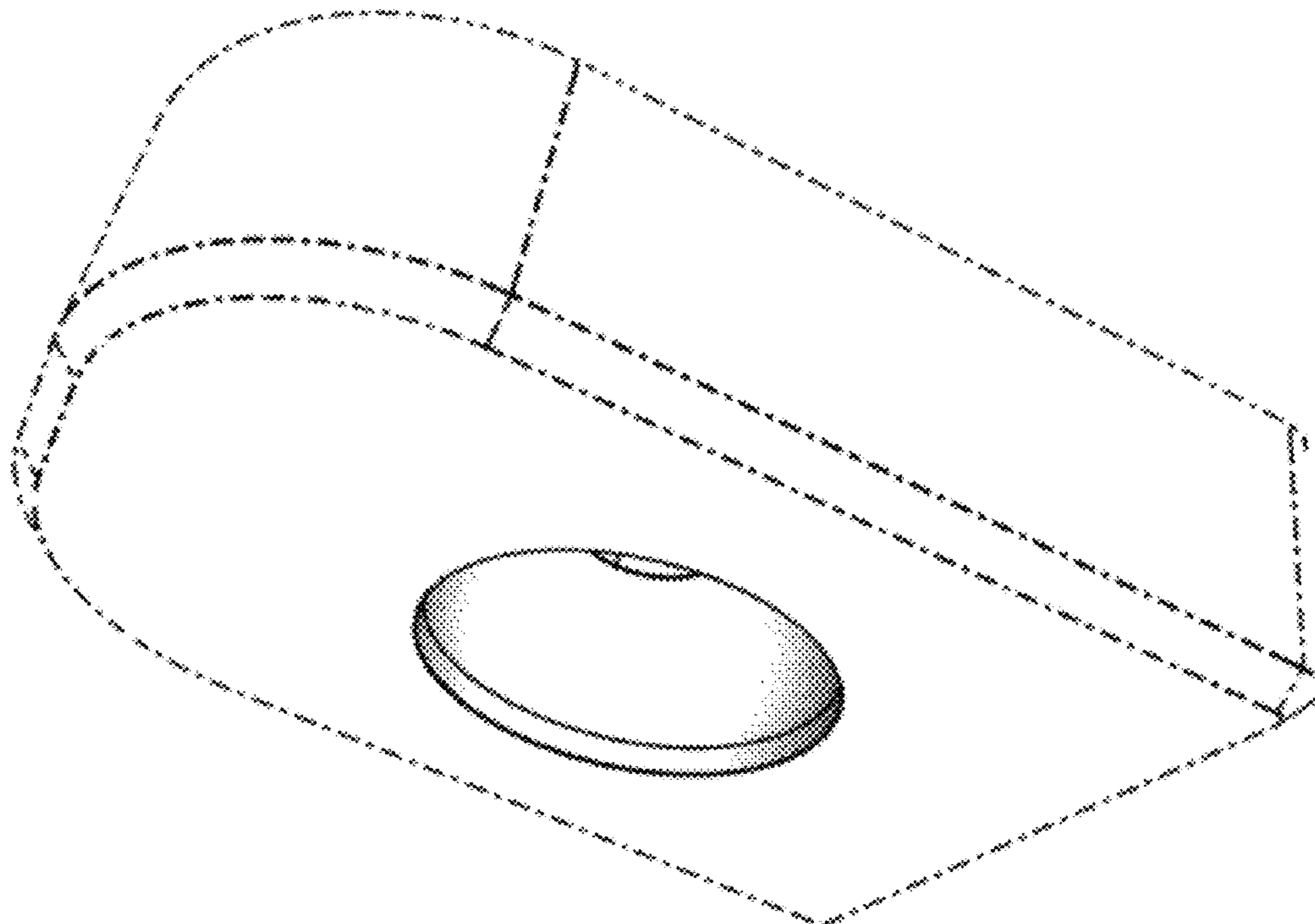
FIG. 5 is a cross-section view thereof taken along line 5-5 of FIG. 3.

Stippling in the figures is to illustrate contour and not surface ornamentation.

The broken lines in the figures are for the purpose of illustrating unclaimed parts of the article and form no part of the claimed design.

The top and sides of the article form no part of the claimed design.

1 Claim, 1 Drawing Sheet



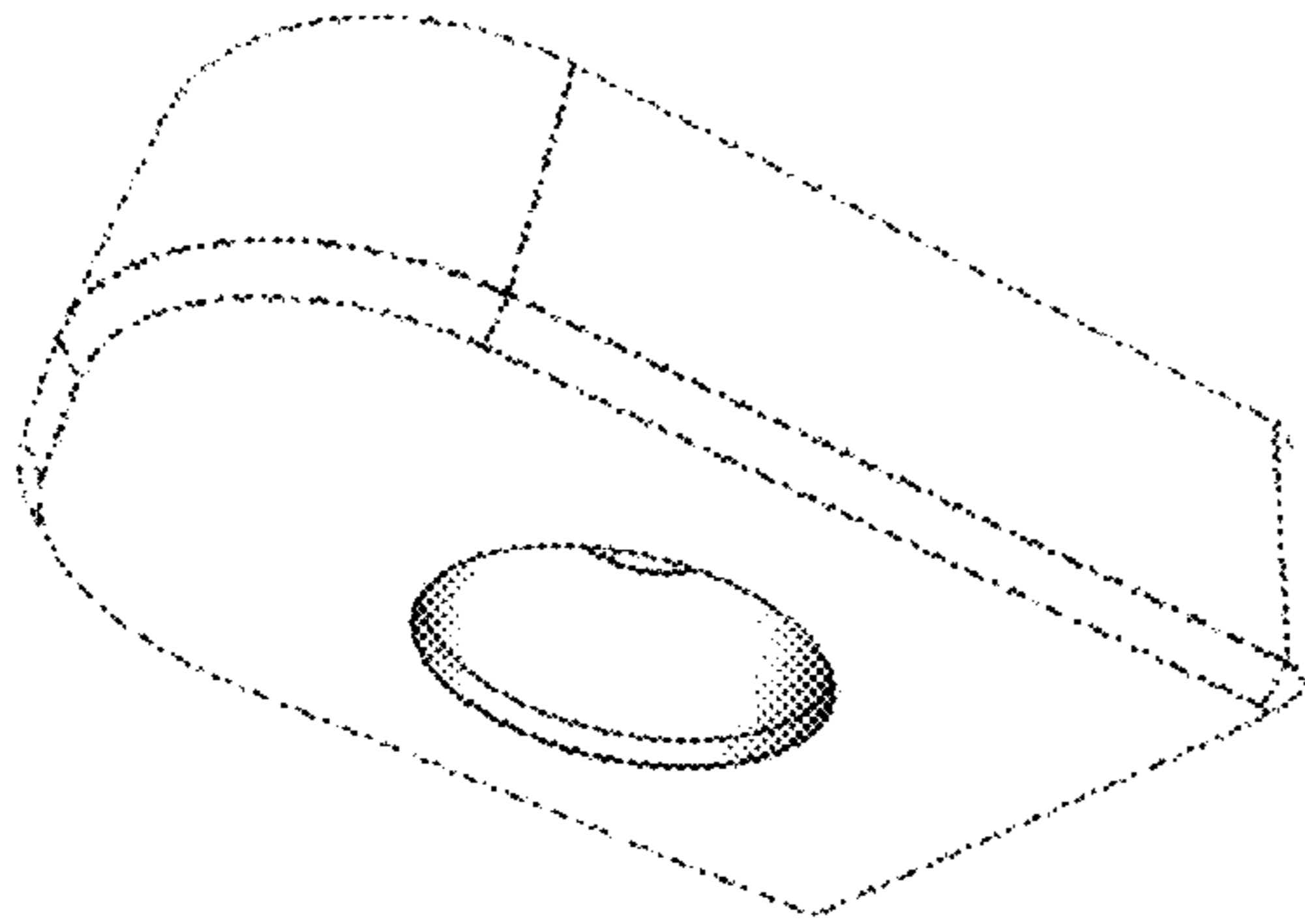


FIG. 1

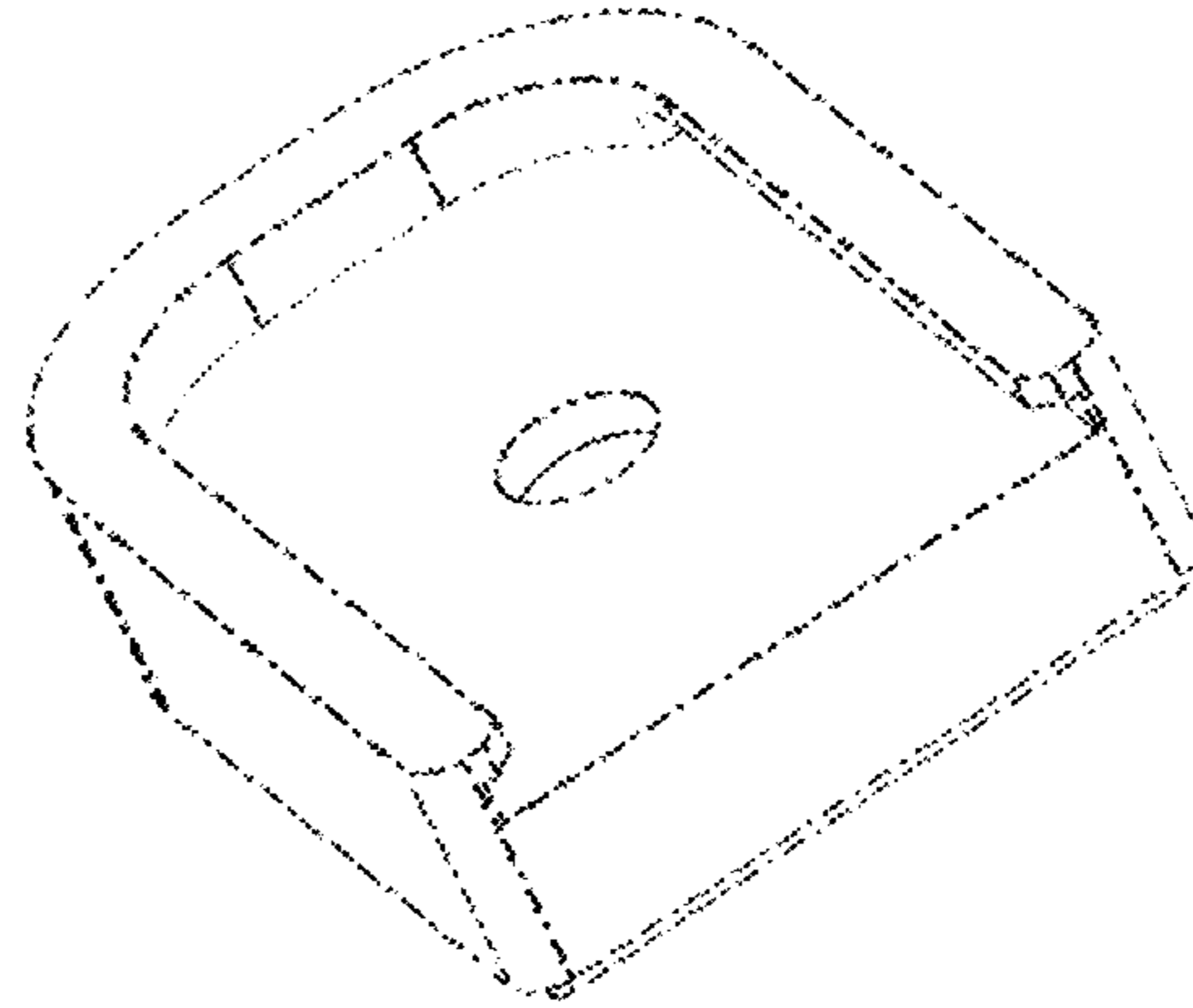


FIG. 2

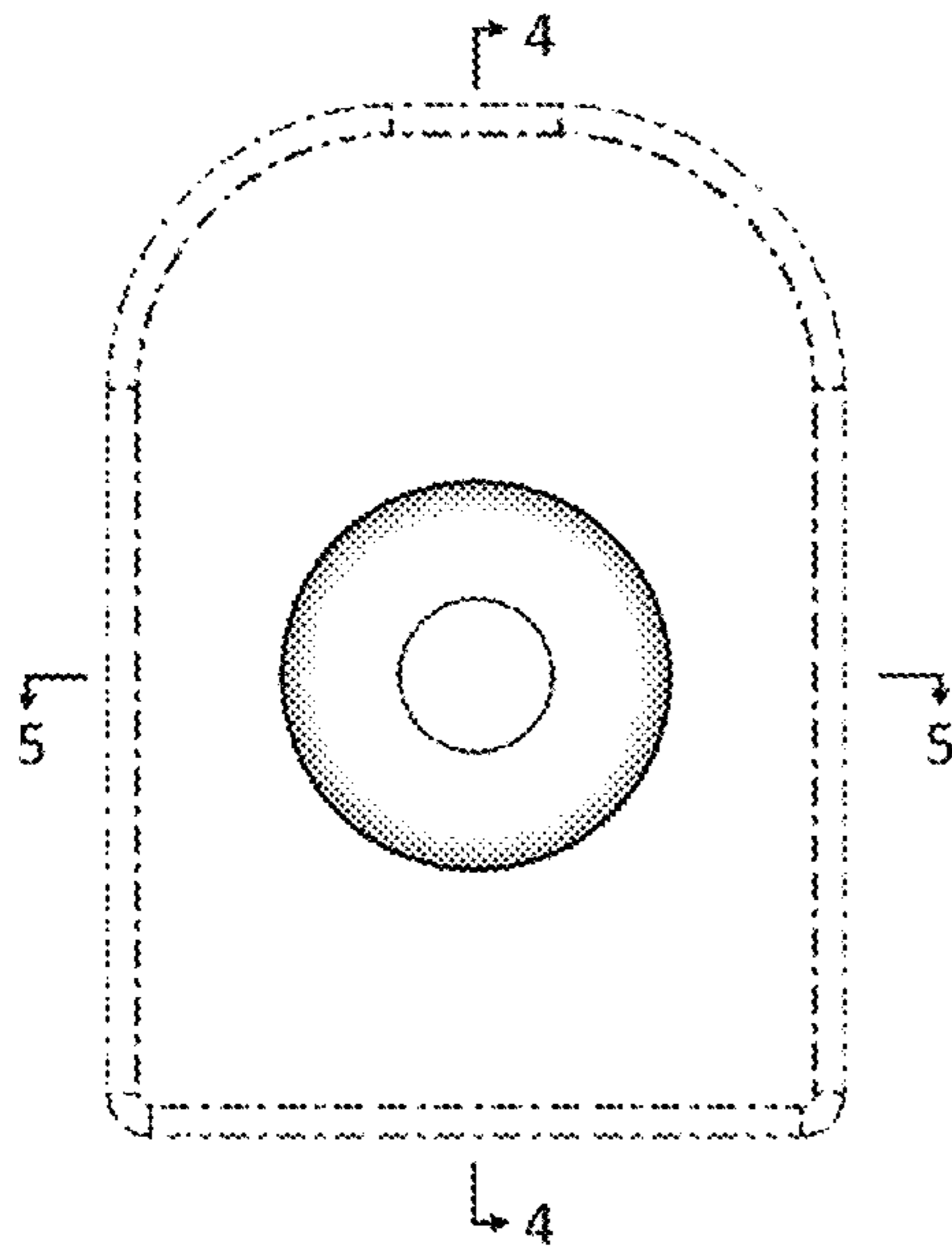


FIG. 3

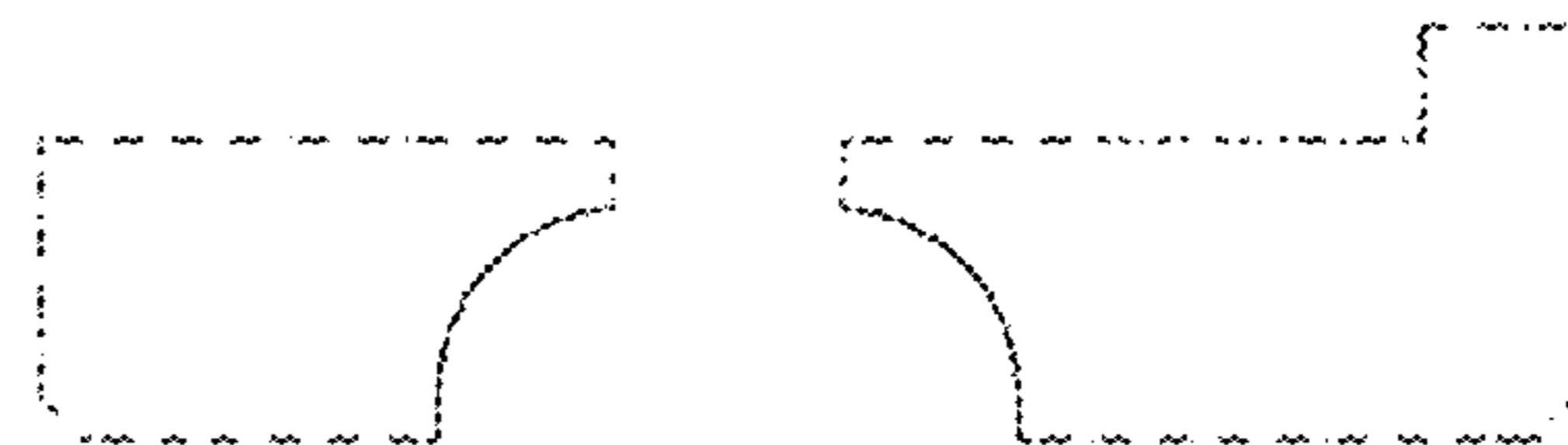


FIG. 4

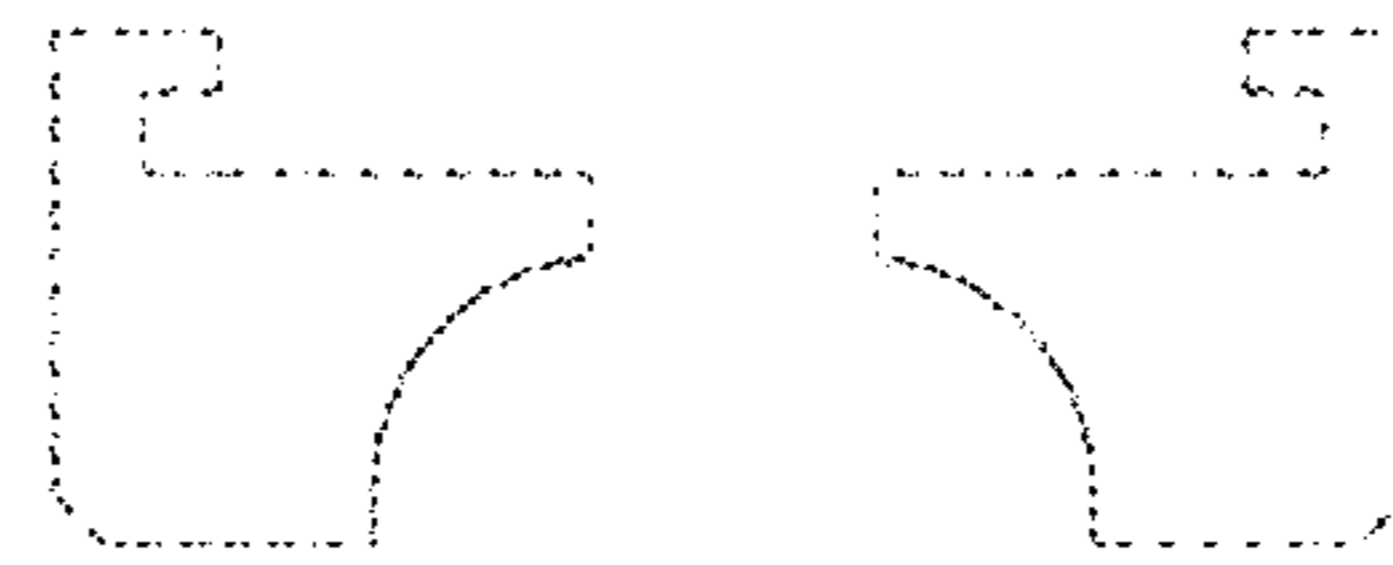


FIG. 5