



US00D726276S

(12) **United States Design Patent**
Pagac

(10) **Patent No.:** **US D726,276 S**

(45) **Date of Patent:** **** Apr. 7, 2015**

- (54) **FLEXIBLE TRIGGER PLUG**
- (71) Applicant: **Stephen J Pagac**, Tucson, AZ (US)
- (72) Inventor: **Stephen J Pagac**, Tucson, AZ (US)
- (**) Term: **14 Years**
- (21) Appl. No.: **29/458,718**
- (22) Filed: **Jun. 21, 2013**
- (51) **LOC (10) Cl.** **22-01**
- (52) **U.S. Cl.**
USPC **D22/108**
- (58) **Field of Classification Search**
CPC F41A 17/20; F41A 17/22; F41A 17/24;
F41A 17/26; F41A 17/28; F41A 17/30;
F41A 17/32; F41A 17/42; F41A 17/44;
F41A 17/46; F41A 17/48; F41A 17/52;
F41A 17/54
USPC D22/100, 108, 199; 70/58, 63, 202,
70/211, 312; 42/44, 66, 70.02, 70.06,
42/70.07, 70.11, 150; 63/12-14.9;
D23/260
See application file for complete search history.

5,535,537	A *	7/1996	Avganim	42/70.07
5,544,440	A *	8/1996	Stockman	42/70.07
D375,342	S *	11/1996	Collins	D22/108
5,755,054	A *	5/1998	Tuller	42/70.07
8,443,626	B2 *	5/2013	Simpson et al.	63/12
8,677,781	B2 *	3/2014	Stoilas	63/12
2002/0029507	A1 *	3/2002	Saltz	42/70.07
2013/0312306	A1 *	11/2013	Ruffin	42/70.07

* cited by examiner

Primary Examiner — Michael A Pratt

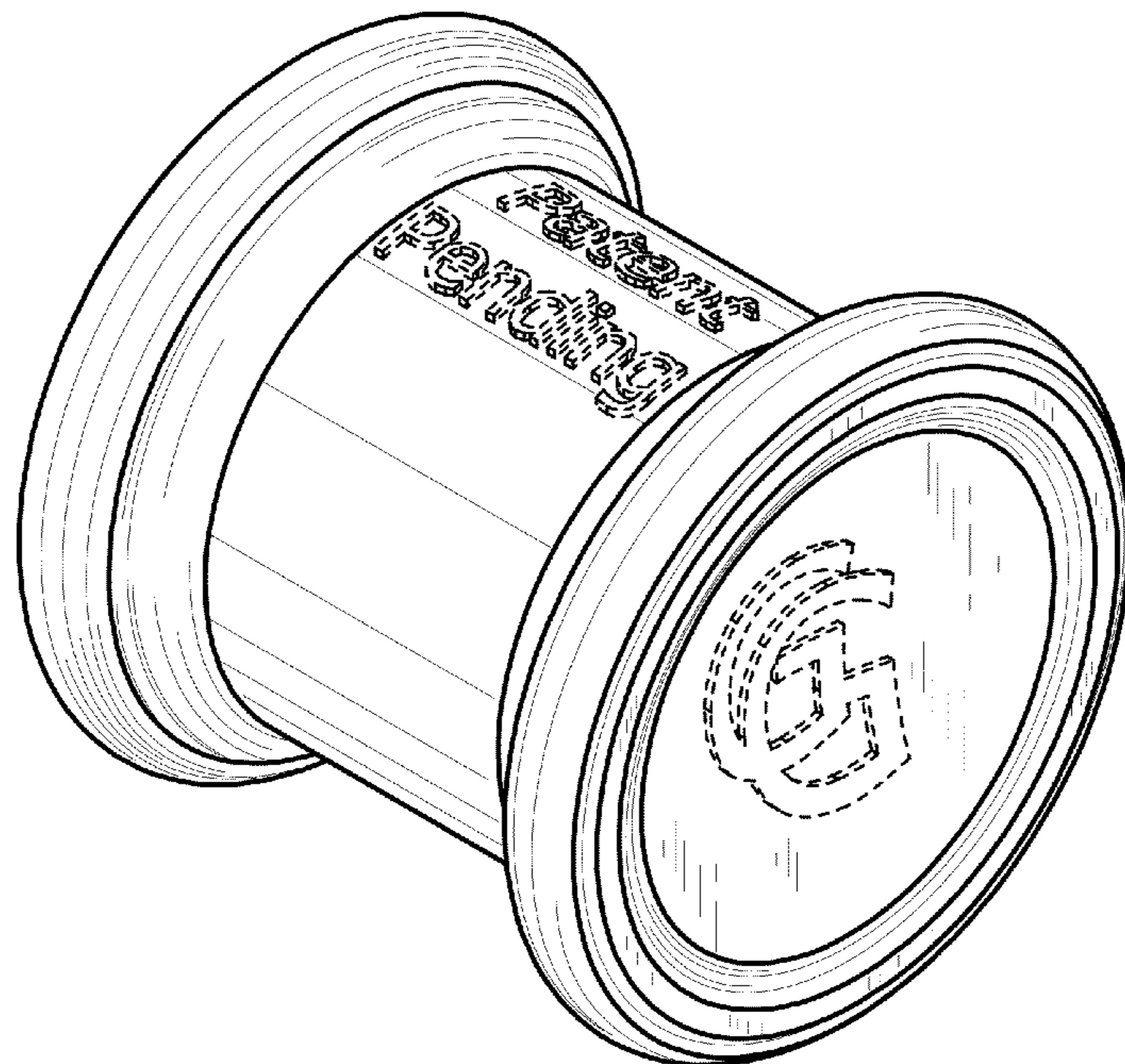
(57) **CLAIM**
The ornamental design for a flexible trigger plug, as shown and described.

DESCRIPTION

FIG. 1 is a front perspective view of the flexible trigger plug; FIG. 2 is a front elevational view of the flexible trigger plug; FIG. 3 is a left side elevational view of the flexible trigger plug; FIG. 4 is a right side elevational view of the flexible trigger plug; FIG. 5 is a rear perspective view of the flexible trigger plug; FIG. 6 is a rear elevational view of the flexible trigger plug; FIG. 7 is a top elevational view of the flexible trigger plug; and, FIG. 8 is a bottom elevational view of the flexible trigger plug. The broken lines showing the raised text illustrate optional visual identifiers and forms no part of the claimed design.

1 Claim, 8 Drawing Sheets

- (56) **References Cited**
U.S. PATENT DOCUMENTS
3,956,842 A * 5/1976 Ballenger 42/70.07
D274,927 S * 7/1984 Child D22/108
5,400,538 A * 3/1995 Shannon 42/70.07



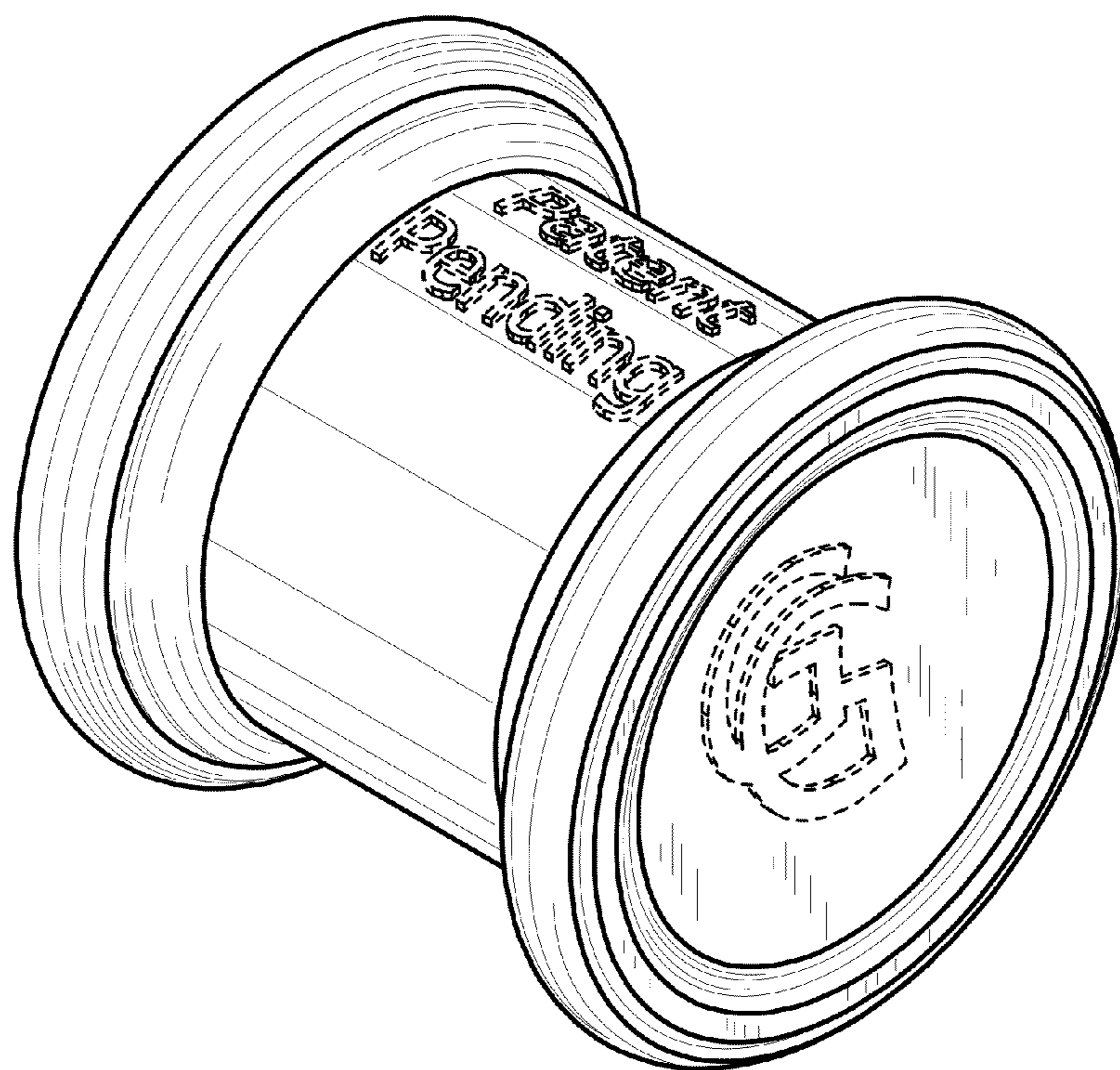


FIG. 1

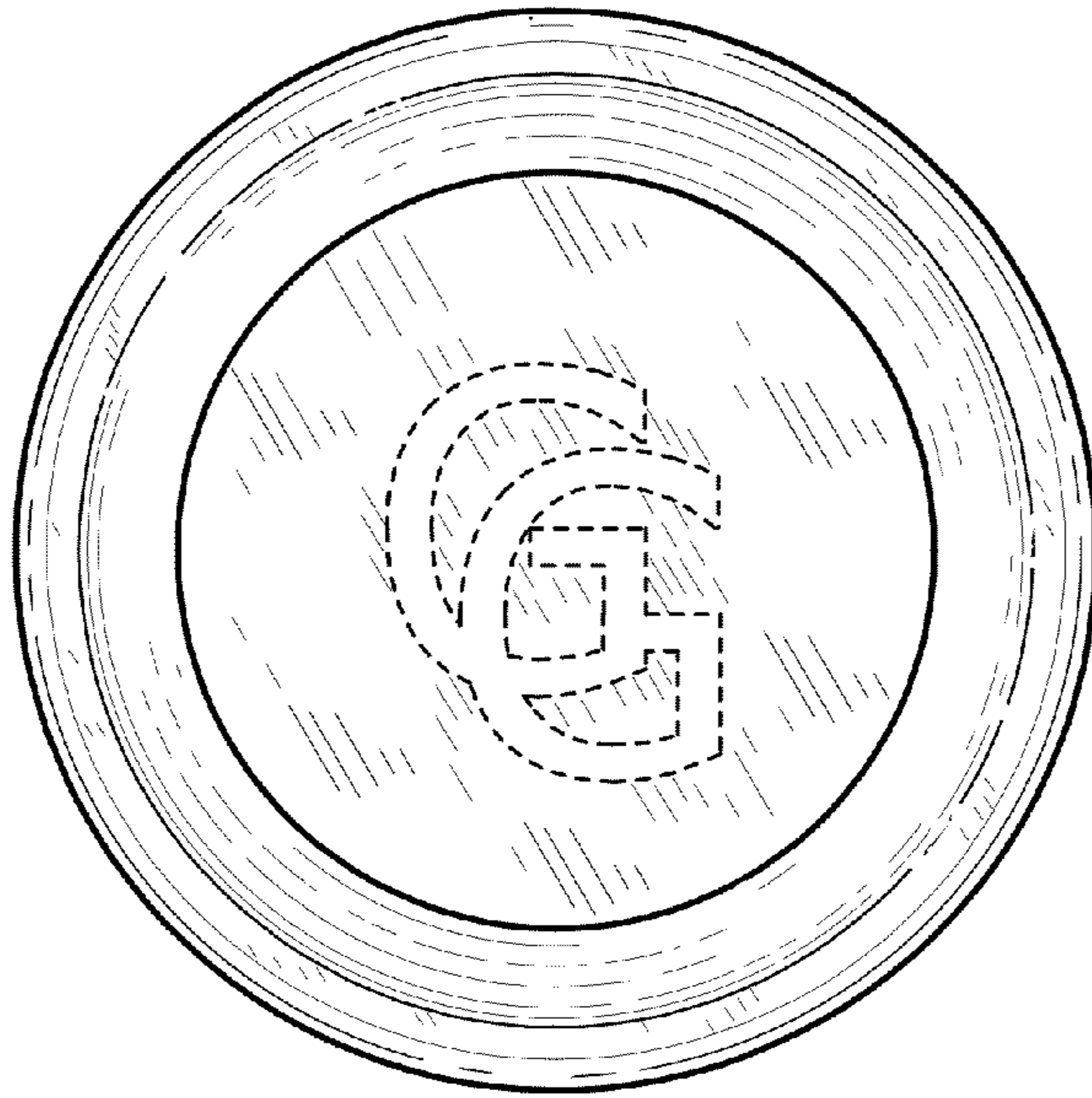


FIG. 2

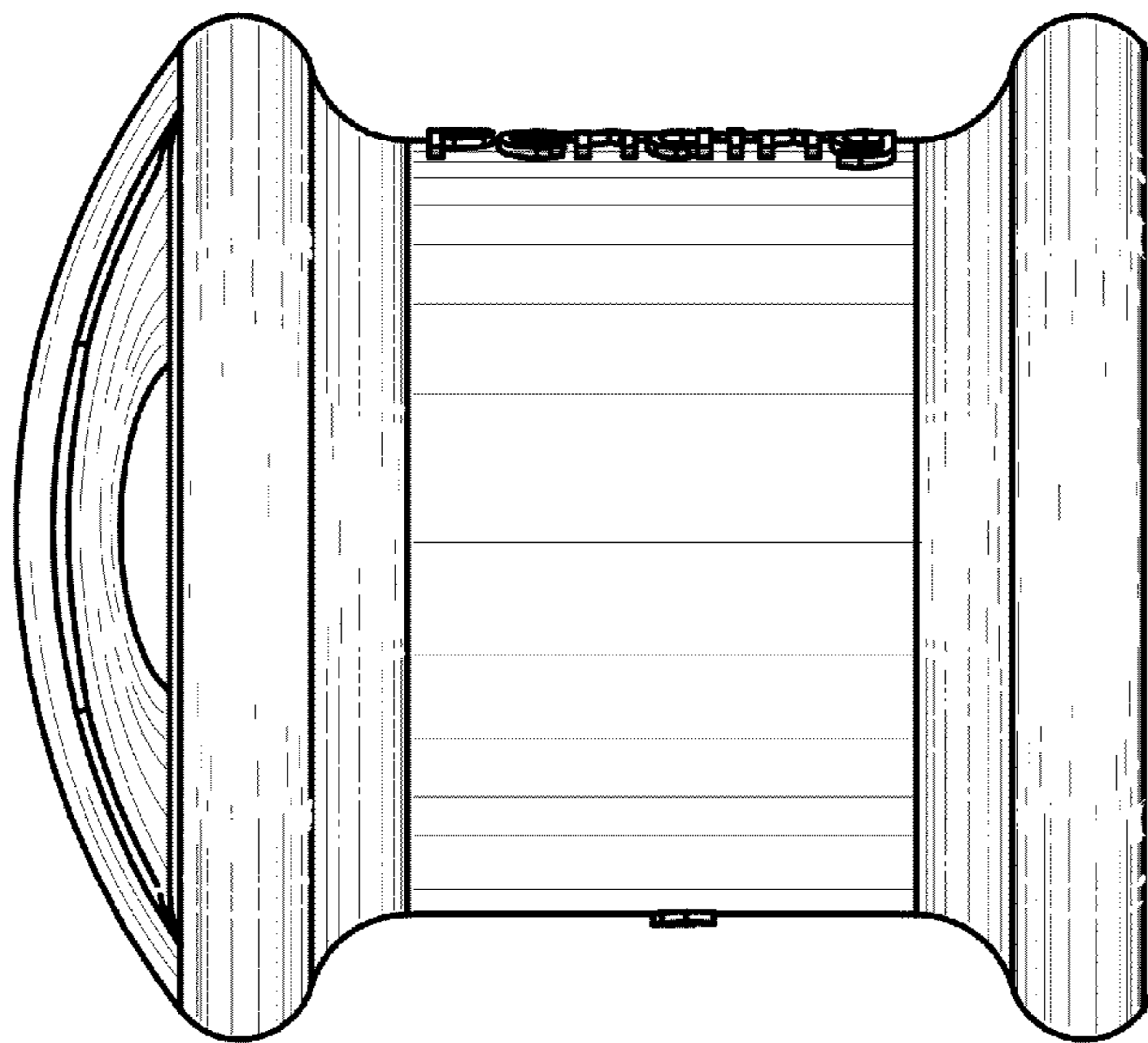


FIG. 3

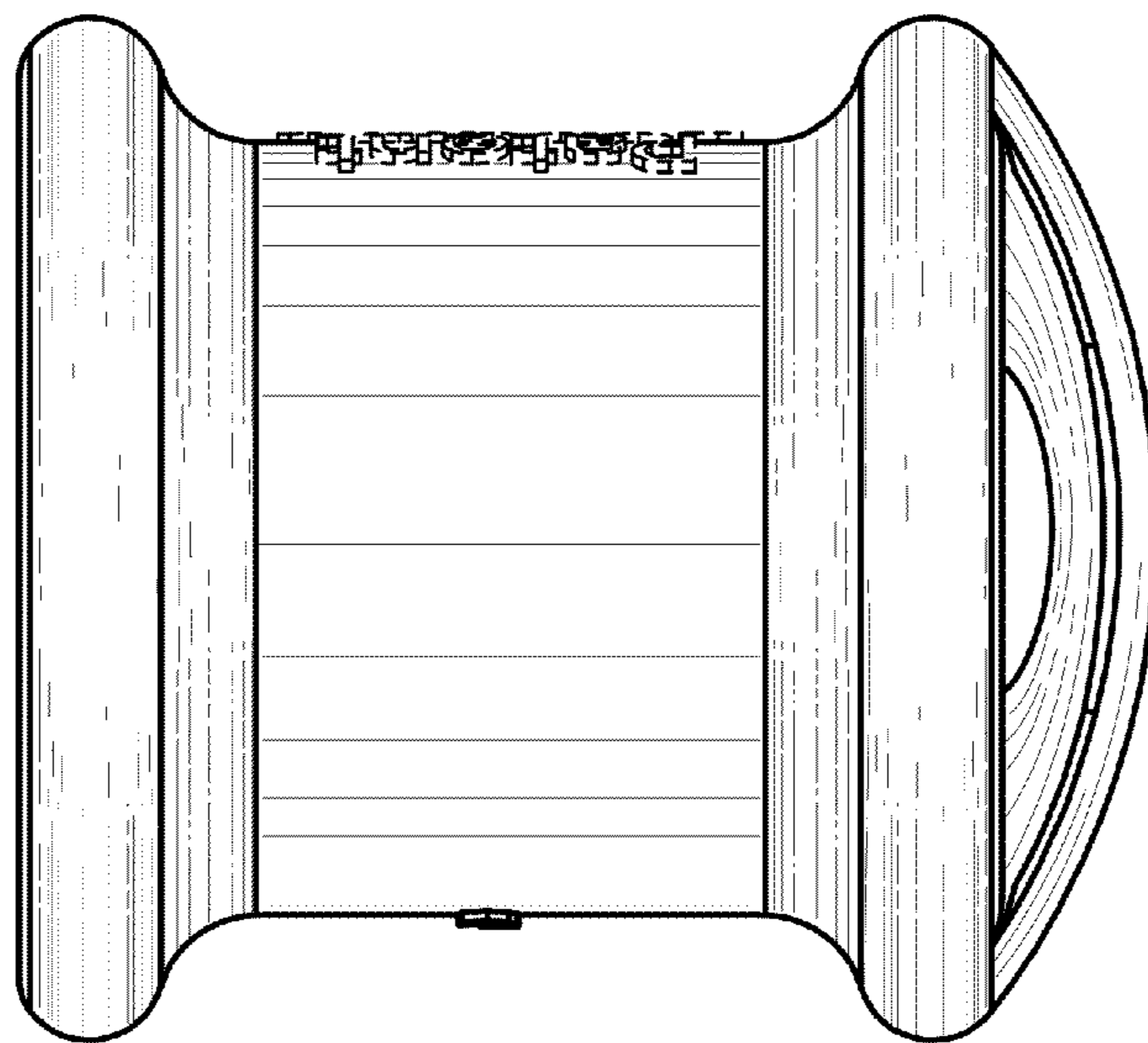


FIG. 4

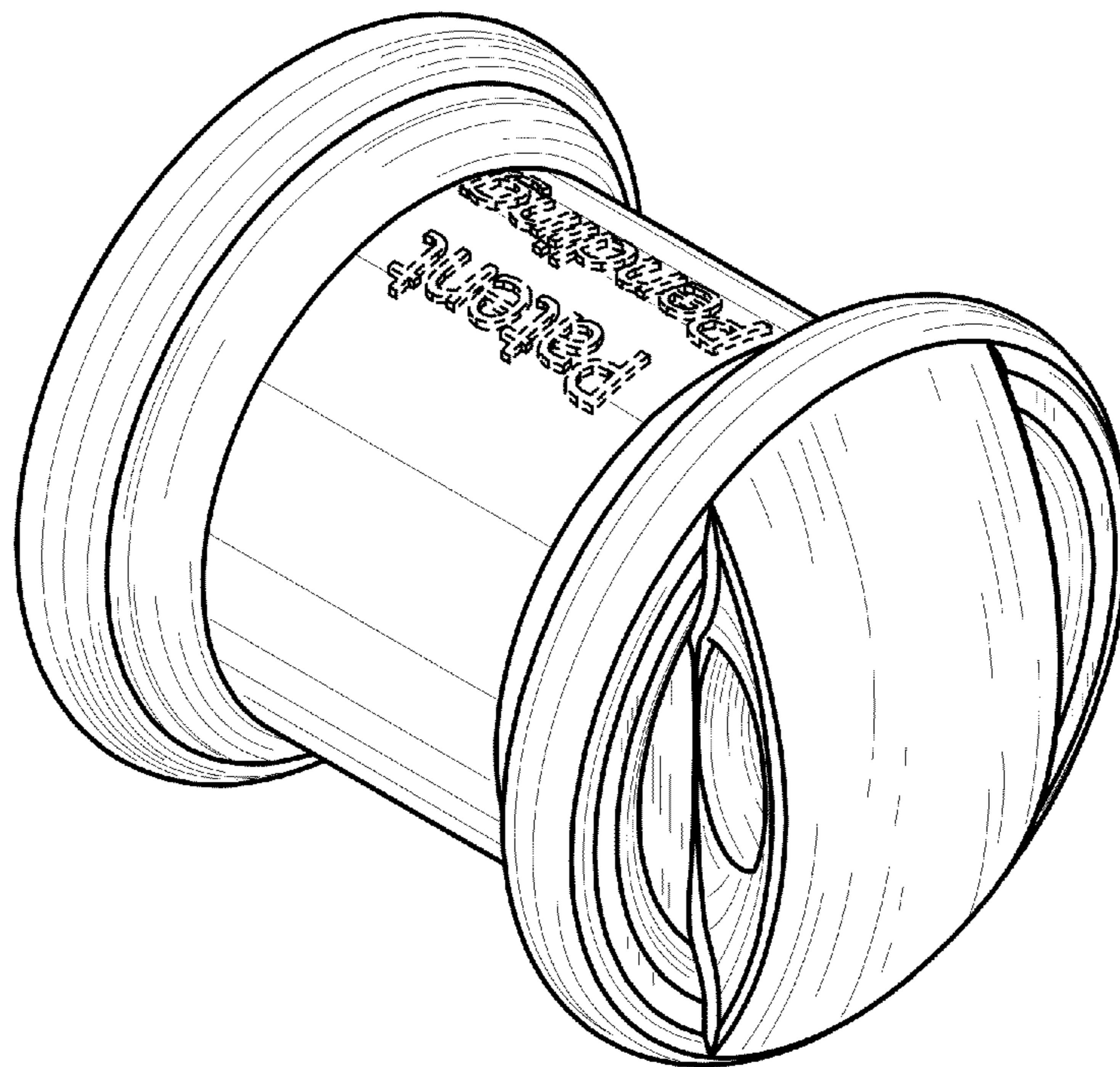


FIG. 5

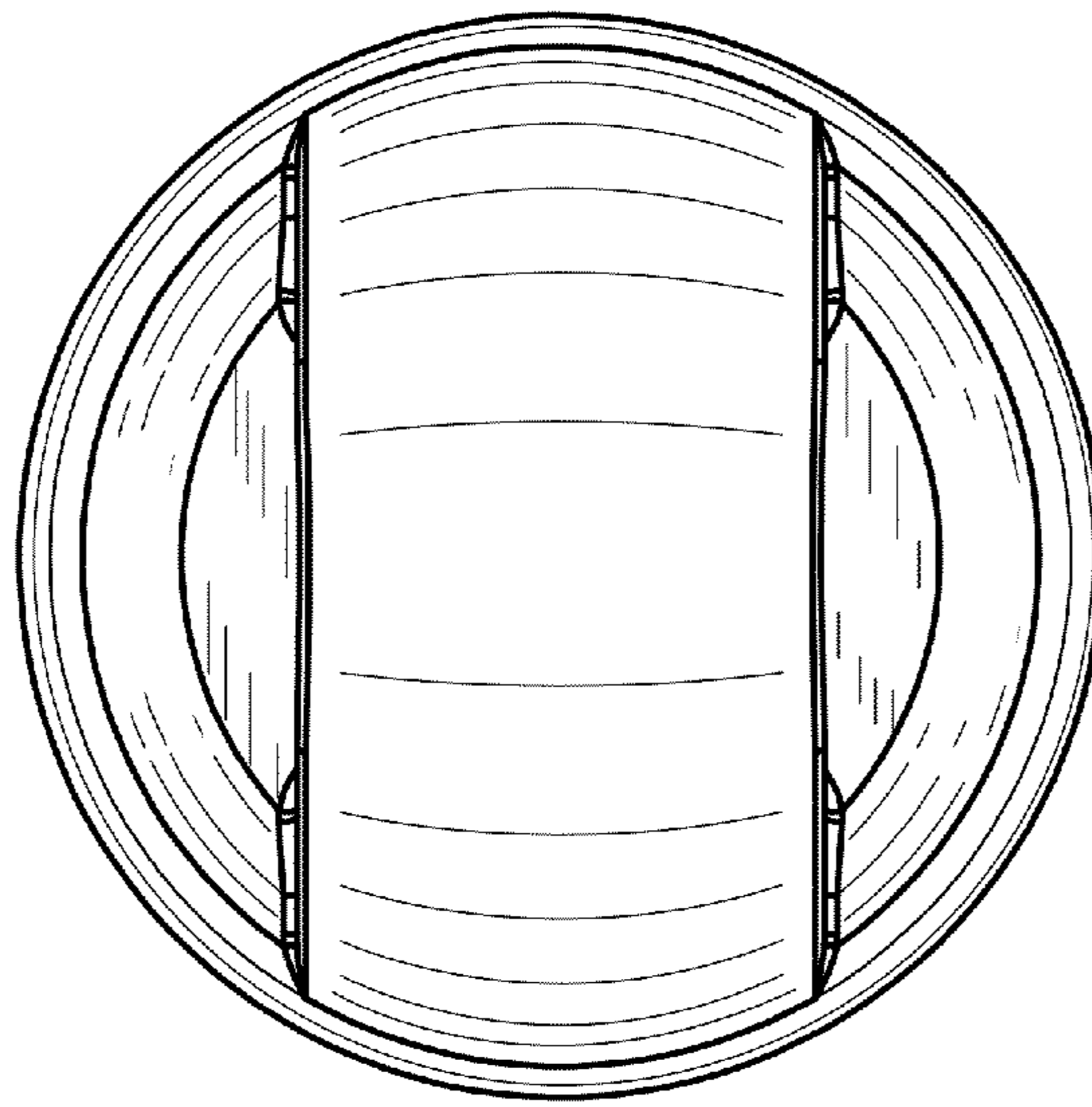


FIG. 6

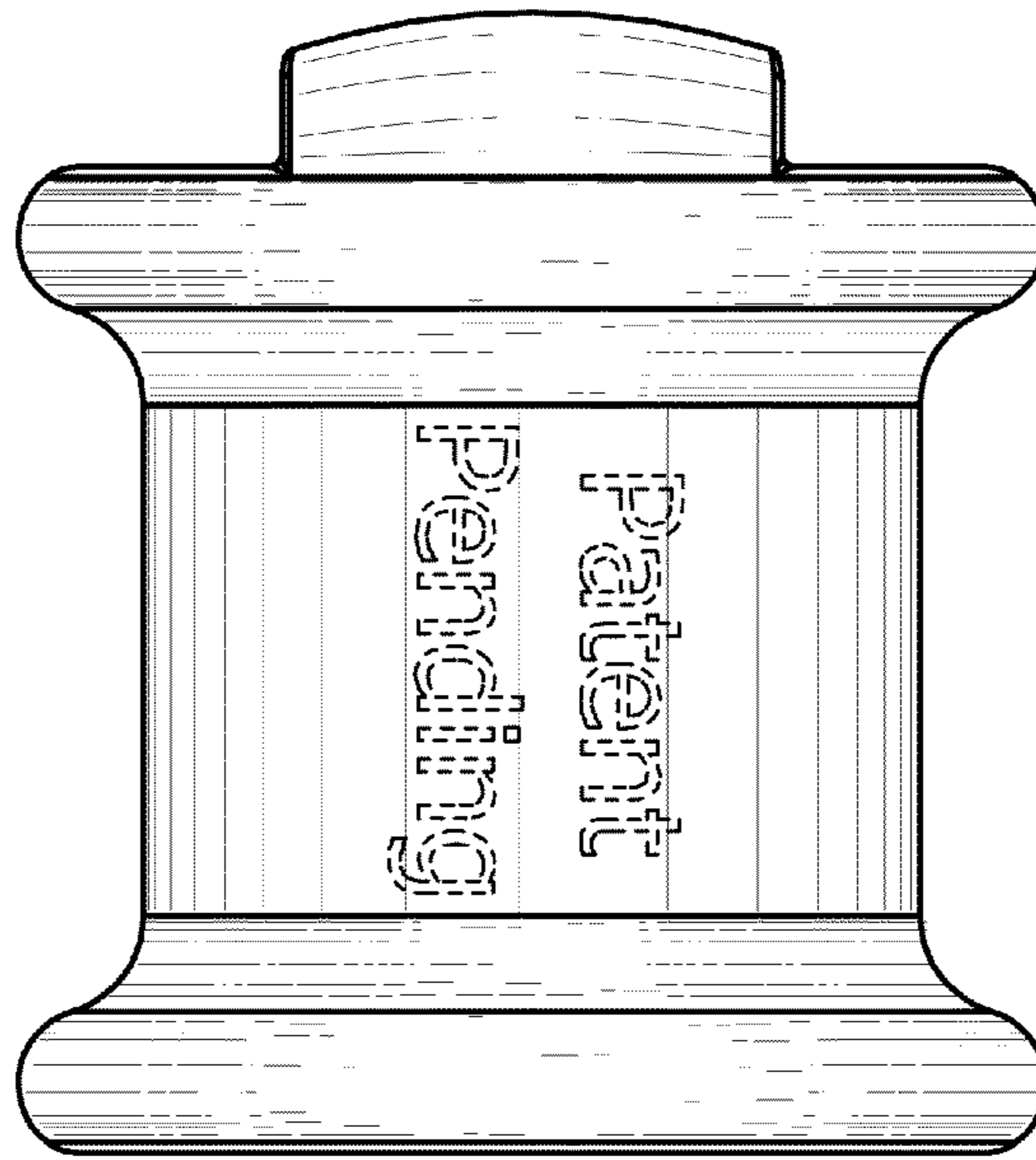


FIG. 7

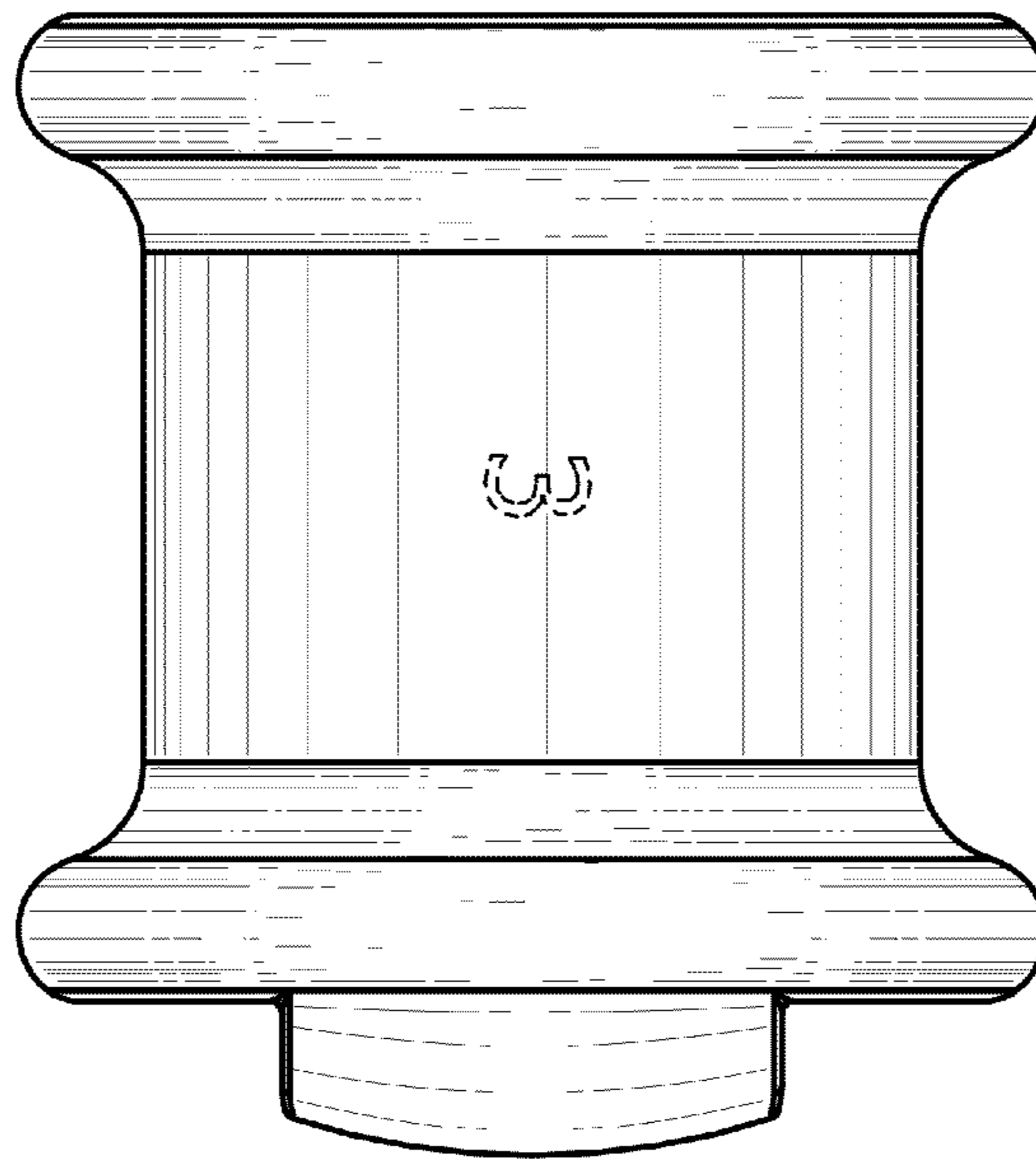


FIG. 8