



US00D726272S

(12) **United States Design Patent**
Broadfoot et al.

(10) **Patent No.:** **US D726,272 S**
(45) **Date of Patent:** **** Apr. 7, 2015**

(54) **FLOTATION ARTICLE**

(75) Inventors: **Robert Lynn Broadfoot**, Decatur, GA (US); **David Andrew Mallis**, Atlanta, GA (US); **Donald John Mock**, Atlanta, GA (US); **Reglan G. Brewer**, Asheville, NC (US); **Steven Michael Hardy, II**, Saint Simons Island, GA (US); **Leigh Taylor Mallis**, Atlanta, GA (US)

(73) Assignee: **Blumfloat, LLC**, Atlanta, GA (US)

(**) Term: **14 Years**

(21) Appl. No.: **29/427,544**

(22) Filed: **Jul. 19, 2012**

(51) **LOC (10) Cl.** **21-02**

(52) **U.S. Cl.**
USPC **D21/805**

(58) **Field of Classification Search**
USPC D21/804, 805; D29/100, 101.1, 101, 4;
2/456, 458, 467, 463; 441/88, 89, 106,
441/108, 111, 114–117
See application file for complete search history.

(56) **References Cited**

U.S. PATENT DOCUMENTS

D280,005 S * 8/1985 Jones D21/805

D310,700 S * 9/1990 Jones D21/805
4,986,786 A * 1/1991 Helt et al. 441/120
5,516,320 A * 5/1996 LaPlant 441/106
D443,910 S * 6/2001 Wilbanks D21/805
D444,839 S * 7/2001 Wilbanks D21/805
7,037,155 B2 * 5/2006 Freeman et al. 441/106
D583,894 S * 12/2008 Weedman et al. D21/803

* cited by examiner

Primary Examiner — Zenia Bennett

(74) *Attorney, Agent, or Firm* — Moore & Van Allen PLLC

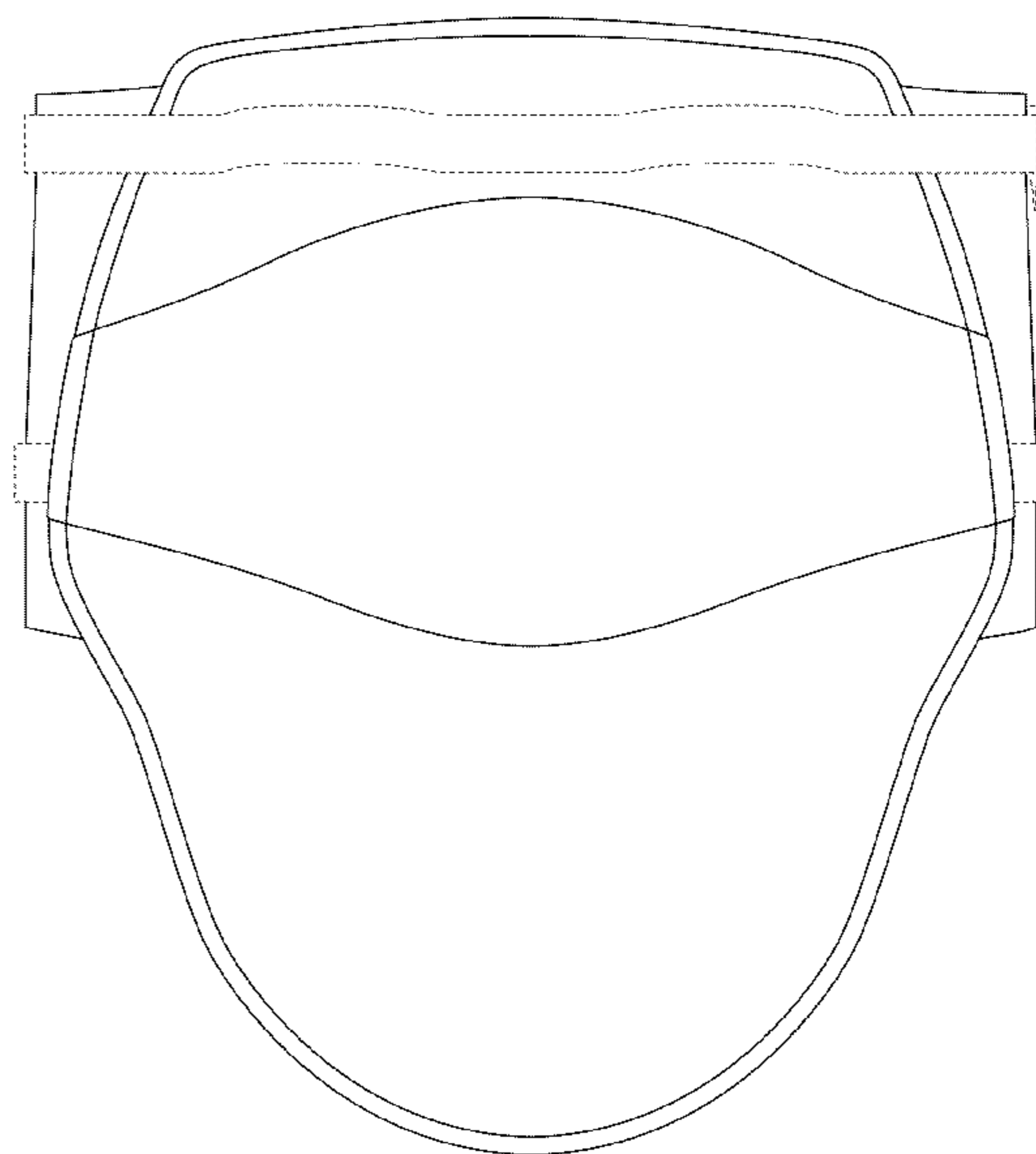
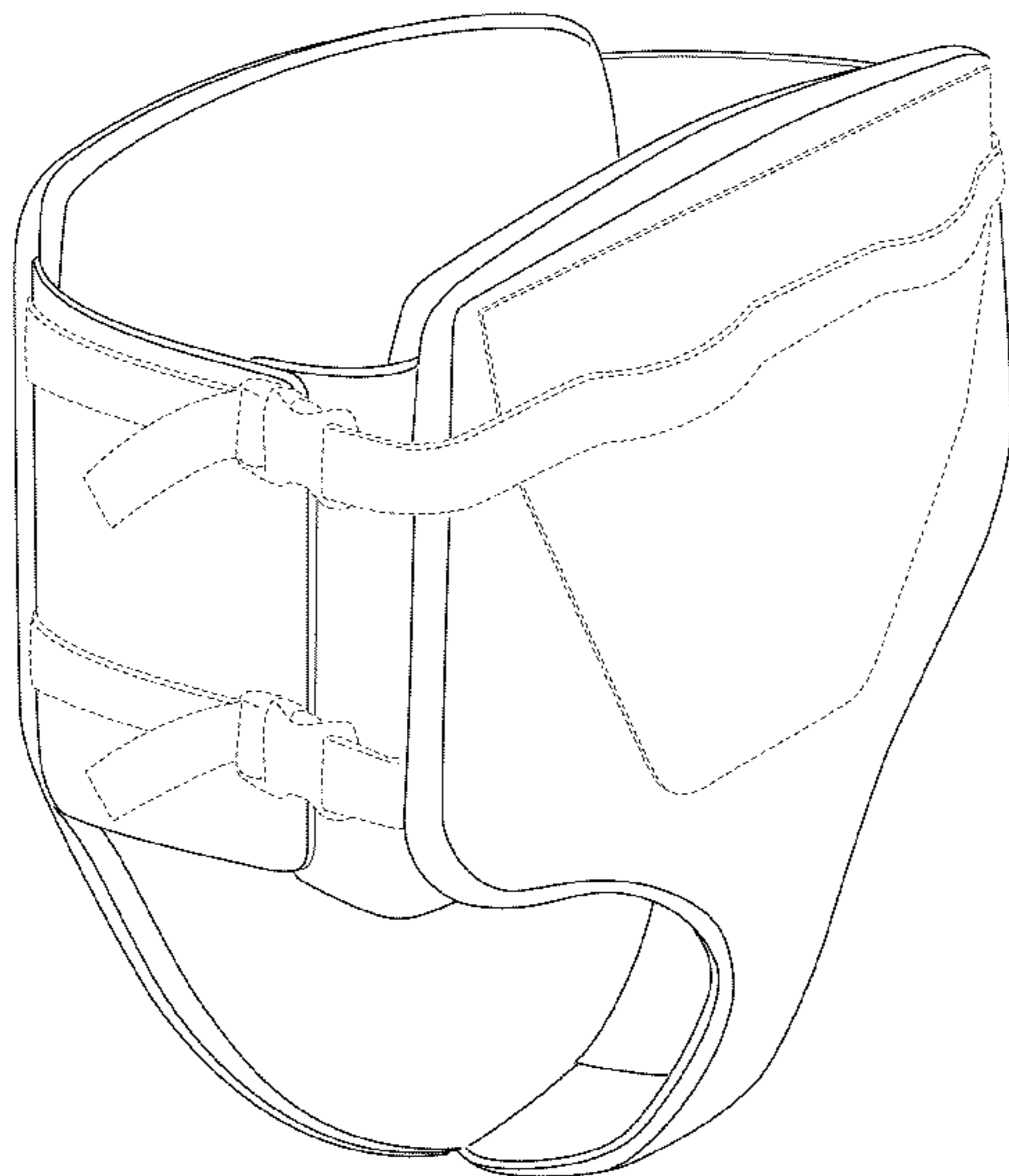
(57) **CLAIM**

The ornamental design for a flotation article, as shown and described.

DESCRIPTION

FIG. 1 is a front, top and left-side-perspective view of a first embodiment of a flotation article;
FIG. 2 is a front-elevational view thereof;
FIG. 3 is a rear-elevational view thereof;
FIG. 4 is a left side-elevational view thereof;
FIG. 5 is a right-side-elevational view thereof;
FIG. 6 is a top-plan view thereof; and,
FIG. 7 is a bottom-plan view thereof.
The broken lines shown in the drawings are shown for illustrative purposes only and form no part of the claimed design.

1 Claim, 7 Drawing Sheets



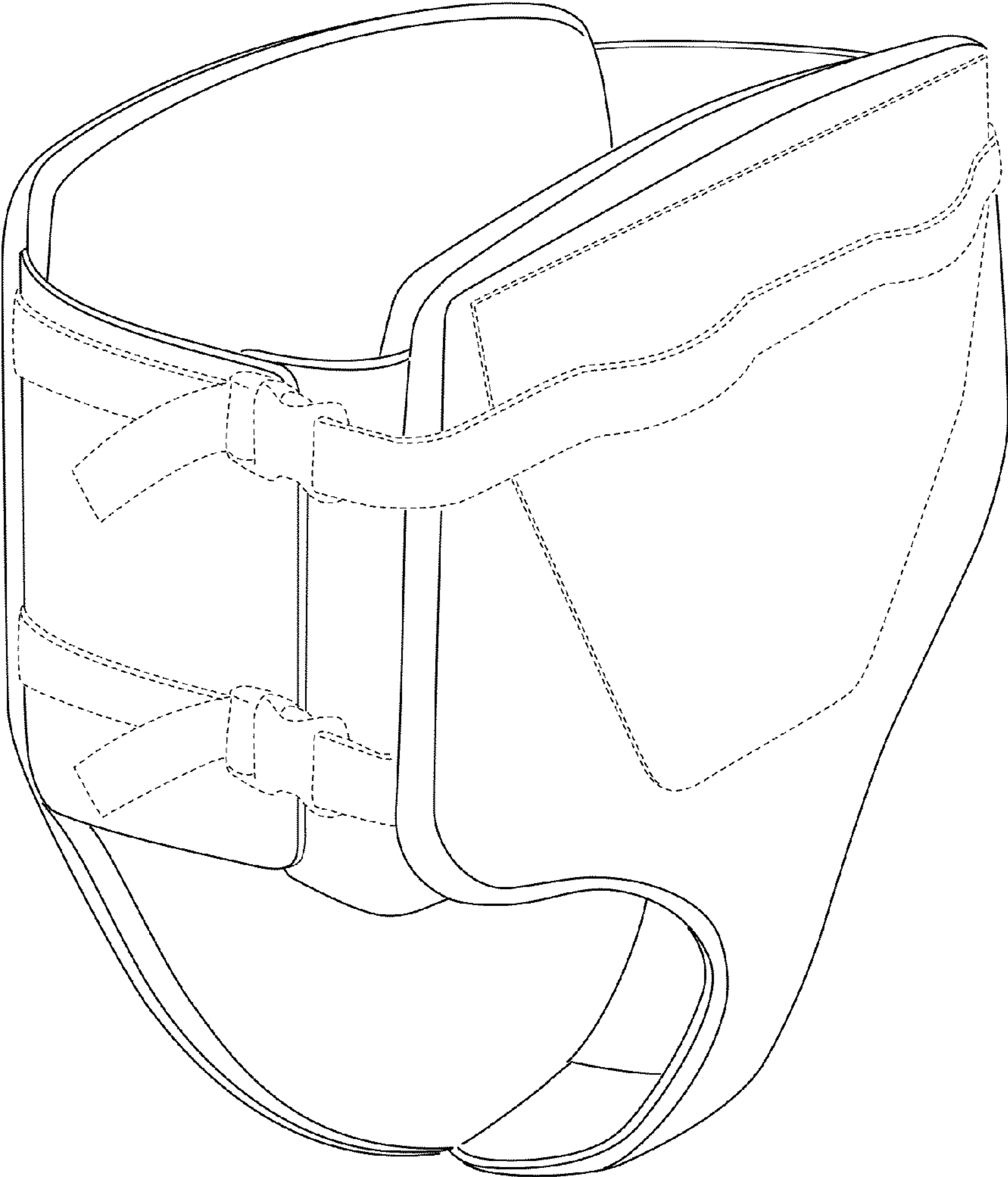


FIG. 1

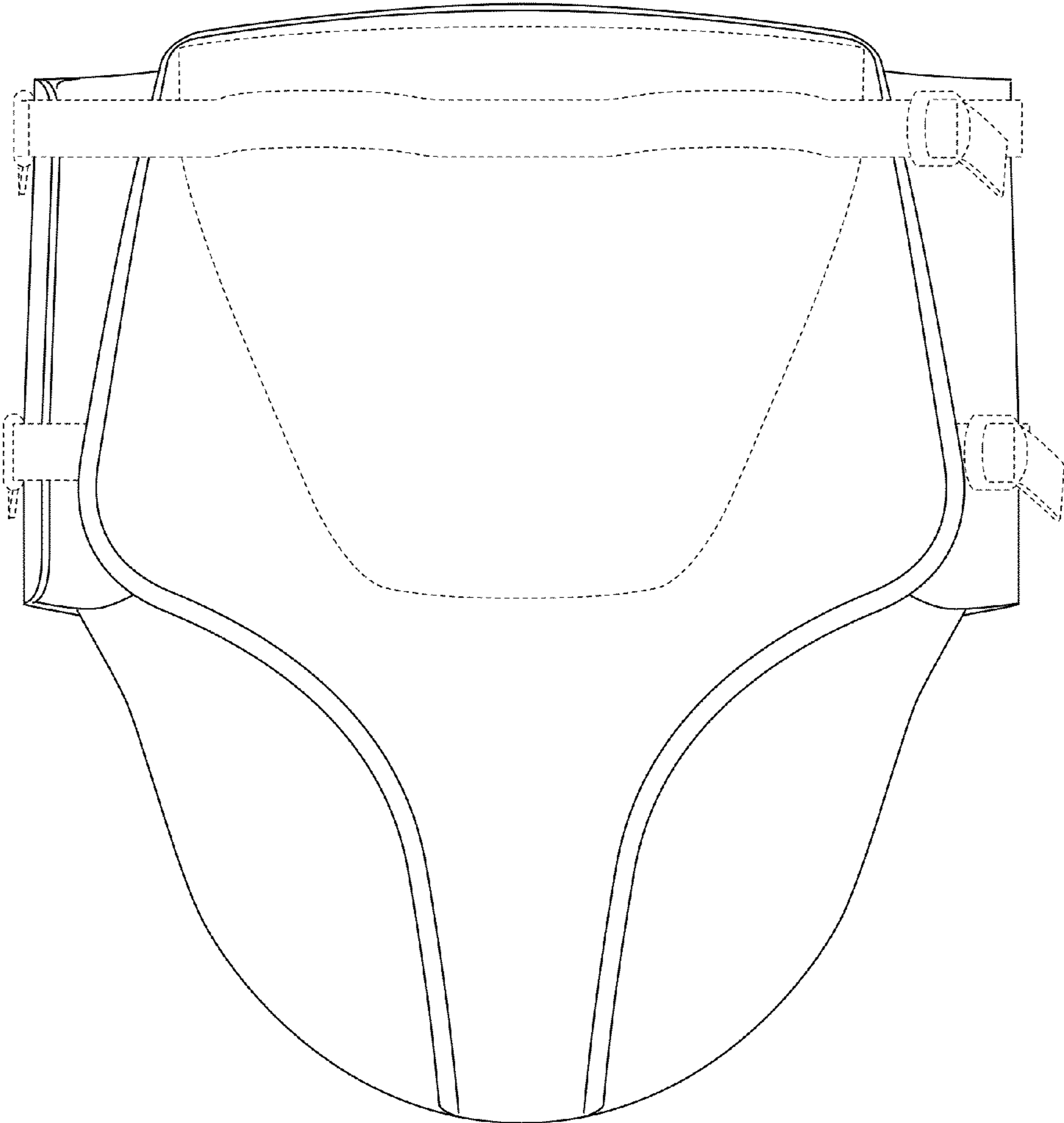


FIG. 2

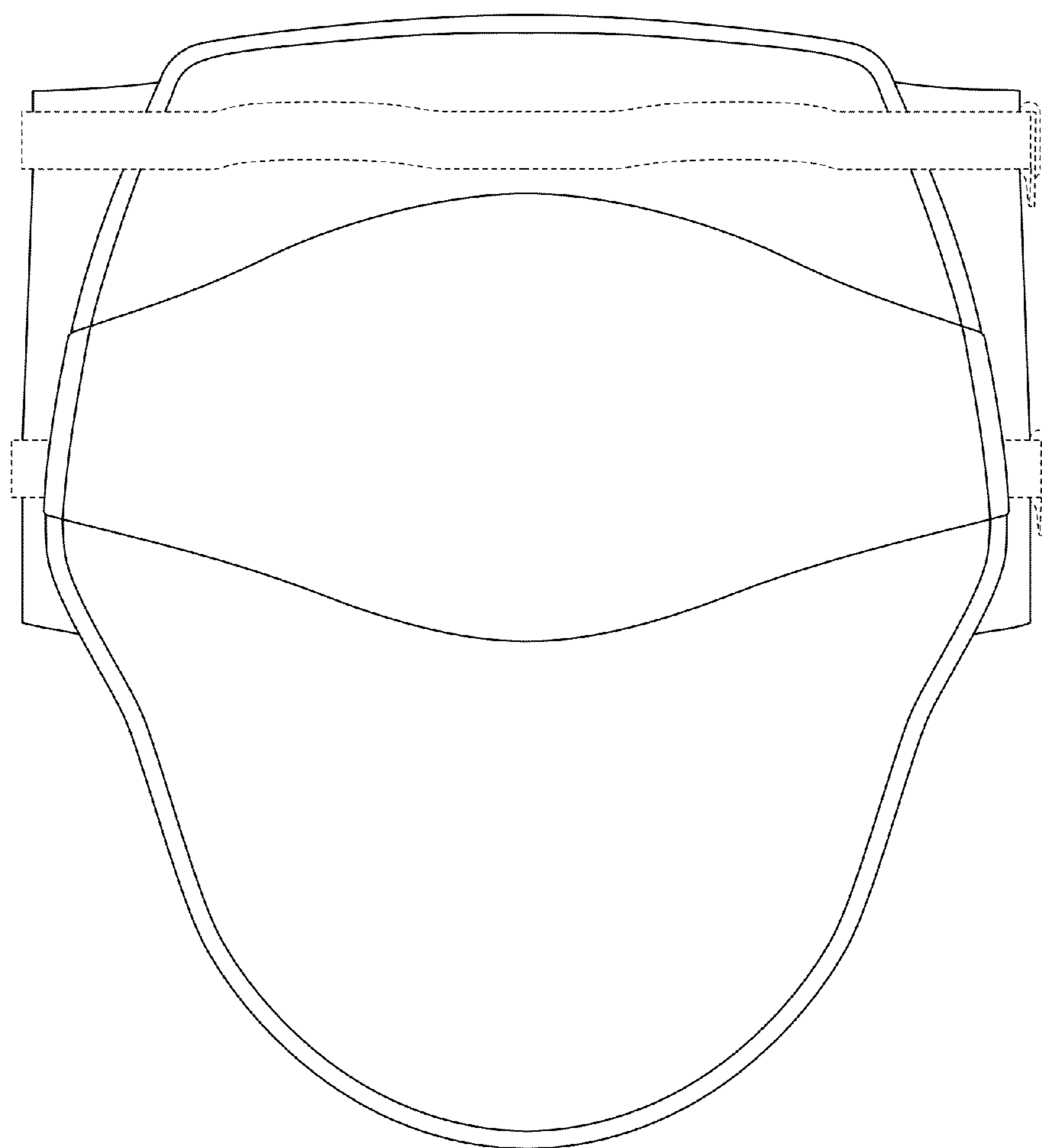


FIG. 3

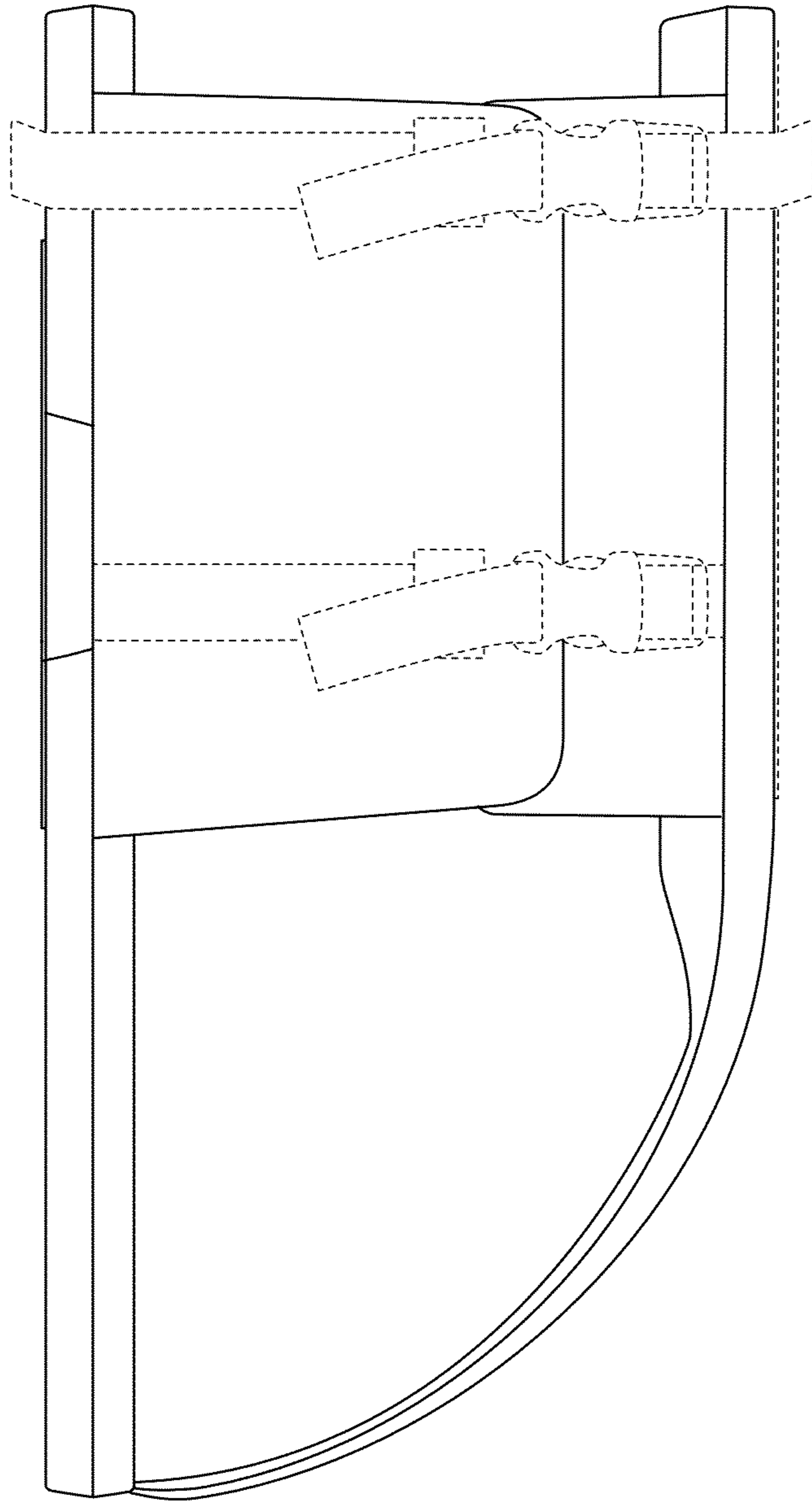


FIG. 4

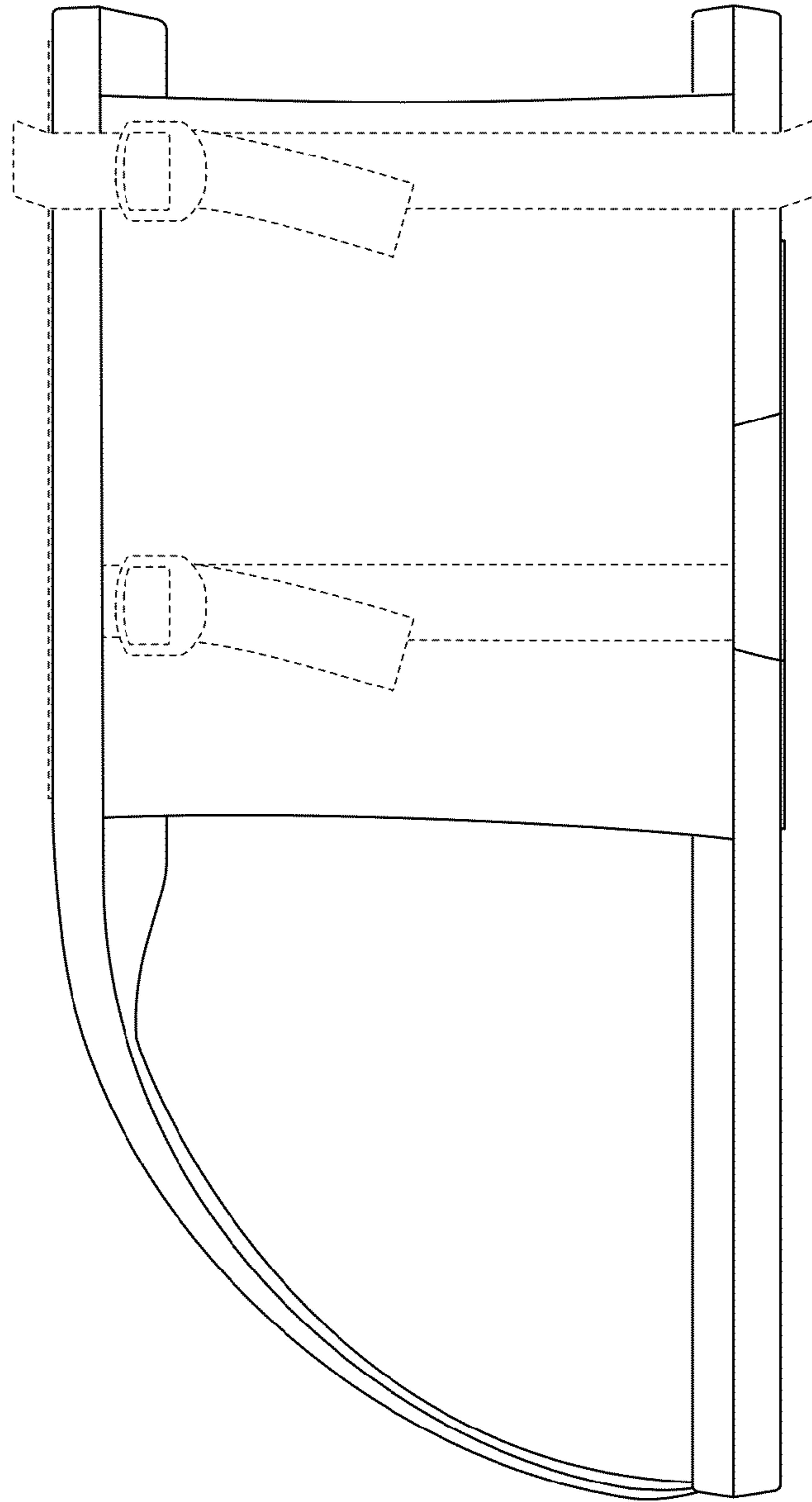


FIG. 5

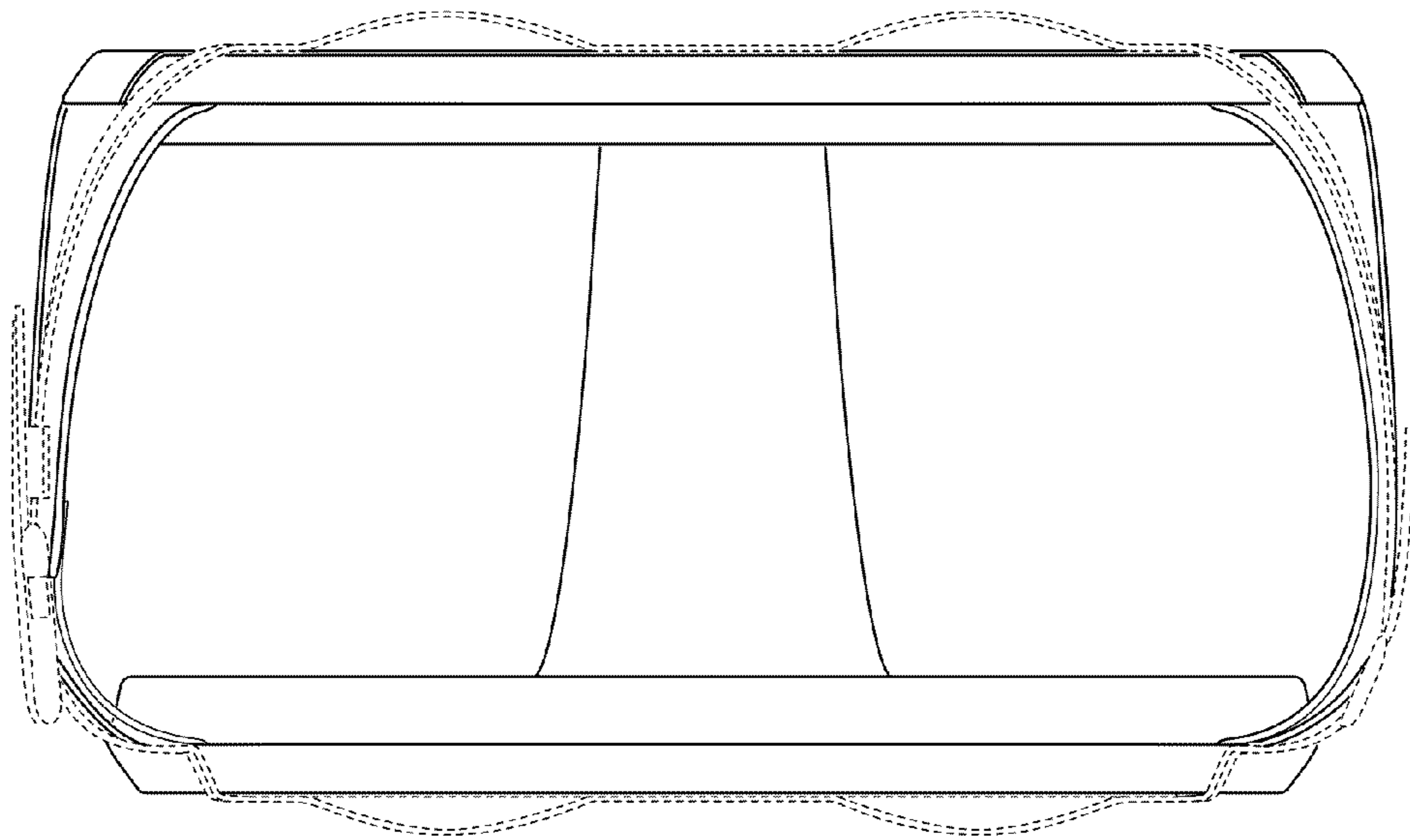


FIG. 6

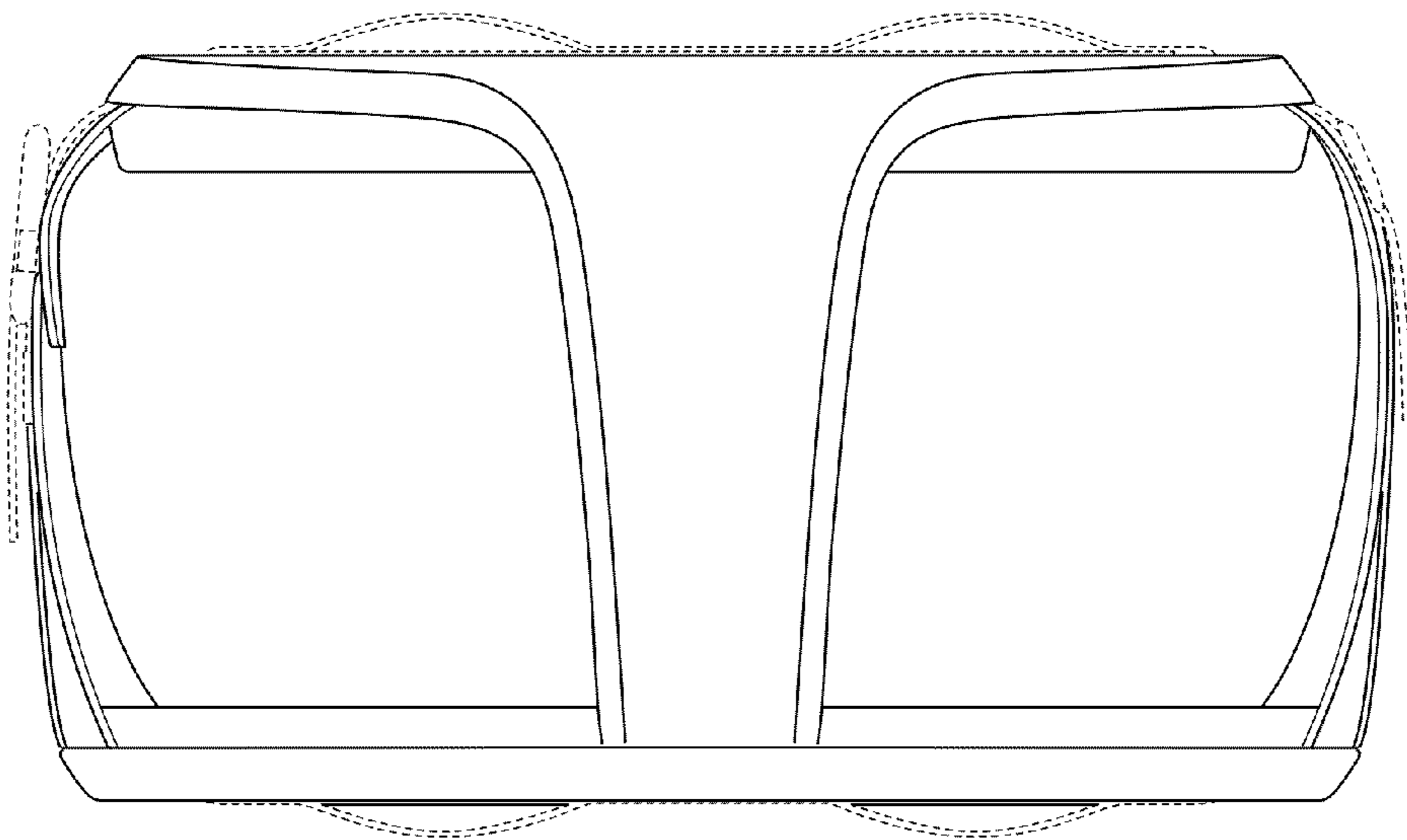


FIG. 7