



US00D726263S

(12) **United States Design Patent**
Anderson

(10) **Patent No.:** **US D726,263 S**

(45) **Date of Patent:** **** Apr. 7, 2015**

(54) **REFORMER**

(71) Applicant: **Brianne Anderson**, Calabasas, CA (US)

(72) Inventor: **Brianne Anderson**, Calabasas, CA (US)

(**) Term: **14 Years**

(21) Appl. No.: **29/465,715**

(22) Filed: **Aug. 30, 2013**

(51) **LOC (10) Cl.** **21-02**

(52) **U.S. Cl.**
USPC **D21/676**

(58) **Field of Classification Search**

CPC A63B 22/0087; A63B 21/068; A63B 2210/50; A63B 21/154; A63B 22/0023; A63B 2208/0252; A63B 2021/0612; A63B 21/00065; A63B 21/0428; A63B 21/023; A63B 21/055; A63B 21/0552; A63B 21/04; A63B 22/0089

USPC D21/662, 674, 676, 686, 687, 688, 689, D21/694; 482/4, 8, 51, 70-72, 96, 112, 121, 482/130-133, 135, 140, 142, 147

See application file for complete search history.

(56) **References Cited**

U.S. PATENT DOCUMENTS

D382,319 S *	8/1997	Gerschefske et al.	D21/674
D405,132 S *	2/1999	Westfall et al.	D21/676
2001/0056011 A1 *	12/2001	Endelman et al.	482/121
2004/0142800 A1 *	7/2004	Gerschefske	482/142
2004/0176227 A1 *	9/2004	Endelman	482/142
2007/0219053 A1 *	9/2007	Barufka et al.	482/4

2008/0070766 A1 *	3/2008	Brown et al.	482/140
2009/0163323 A1 *	6/2009	Bocchicchio	482/8
2009/0247376 A1 *	10/2009	Merrithew et al.	482/121
2011/0251031 A1 *	10/2011	Mayr	482/121
2012/0283078 A1 *	11/2012	Solow et al.	482/130
2013/0072361 A1 *	3/2013	Ellis	482/129
2013/0196835 A1 *	8/2013	Solow et al.	482/142
2013/0210593 A1 *	8/2013	McBride et al.	482/142
2013/0345027 A1 *	12/2013	Haggerty	482/51
2014/0011645 A1 *	1/2014	Johnson et al.	482/121
2014/0100089 A1 *	4/2014	Kermath et al.	482/133
2014/0141948 A1 *	5/2014	Aronson et al.	482/128
2014/0296044 A1 *	10/2014	Kucharski	482/131

* cited by examiner

Primary Examiner — George D Kirschbaum

Assistant Examiner — Jennifer Watkins

(74) *Attorney, Agent, or Firm* — Clement Cheng

(57) **CLAIM**

The ornamental design for a reformer, as shown and described.

DESCRIPTION

FIG. 1 is a perspective view.

FIG. 2 is a right side view.

FIG. 3 is a left side view.

FIG. 4 is a front view.

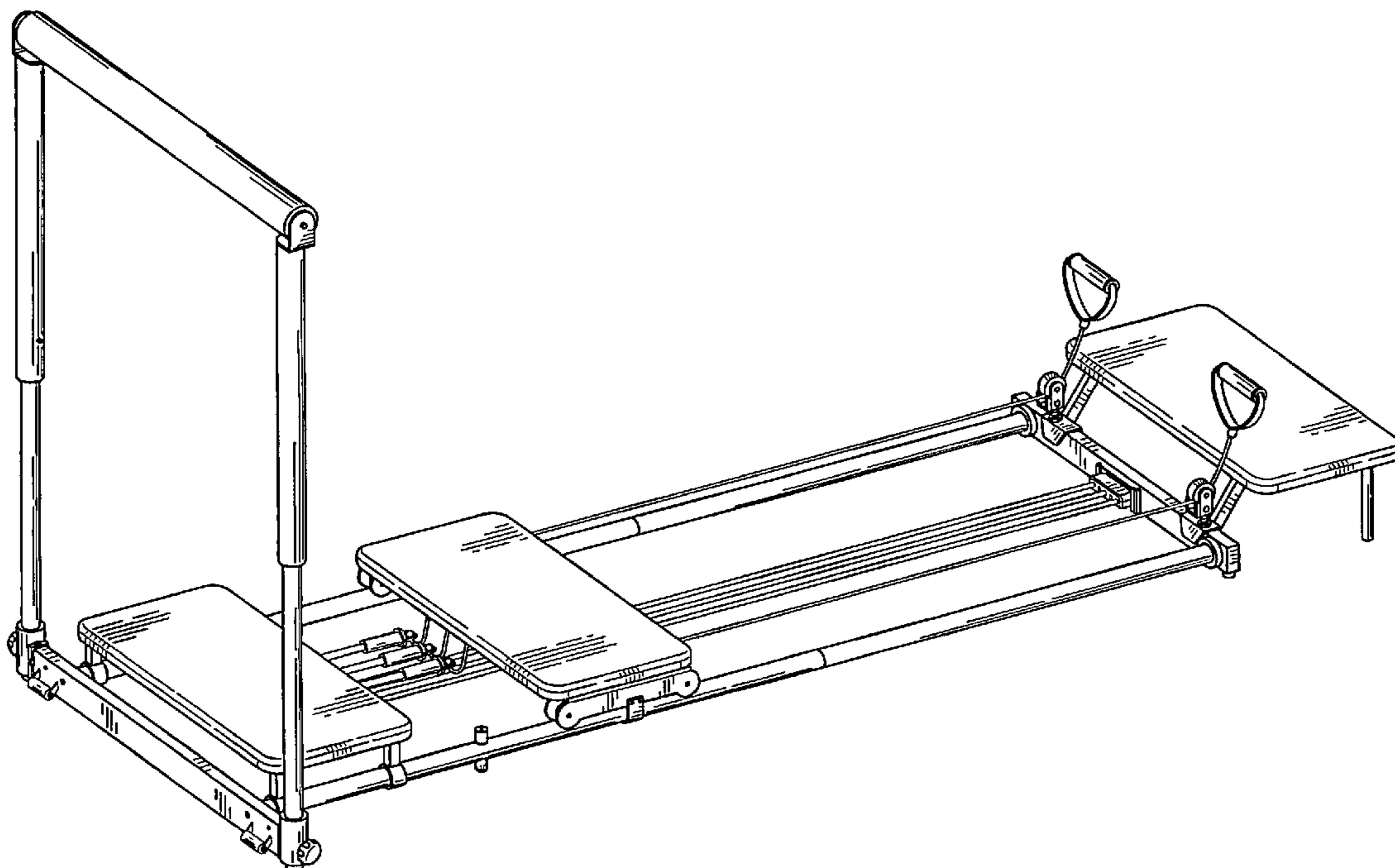
FIG. 5 is a rear view.

FIG. 6 is a top view; and,

FIG. 7 is a bottom view.

The broken lines represent portions of the reformer which form no part of the claimed design.

1 Claim, 6 Drawing Sheets



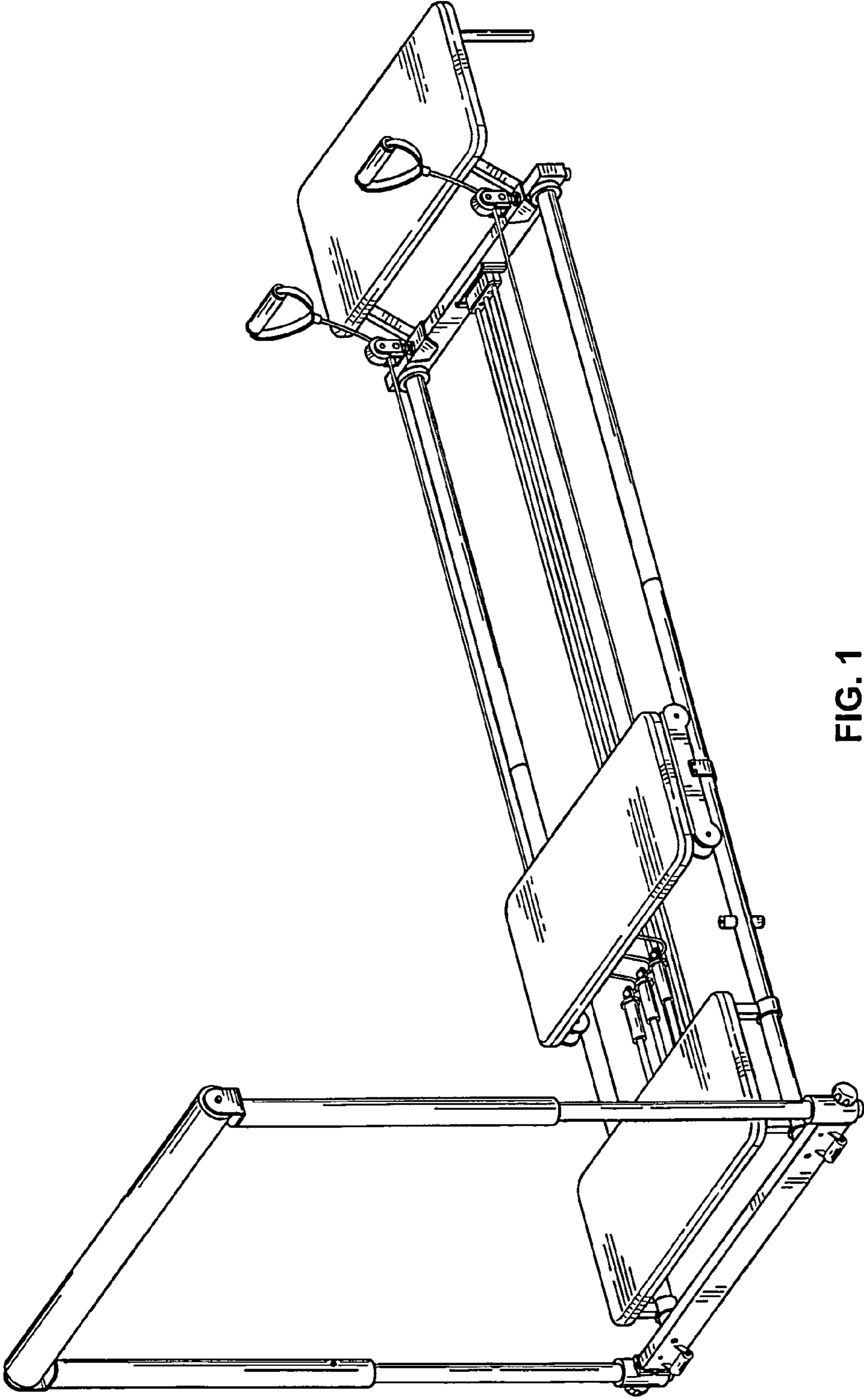


FIG. 1

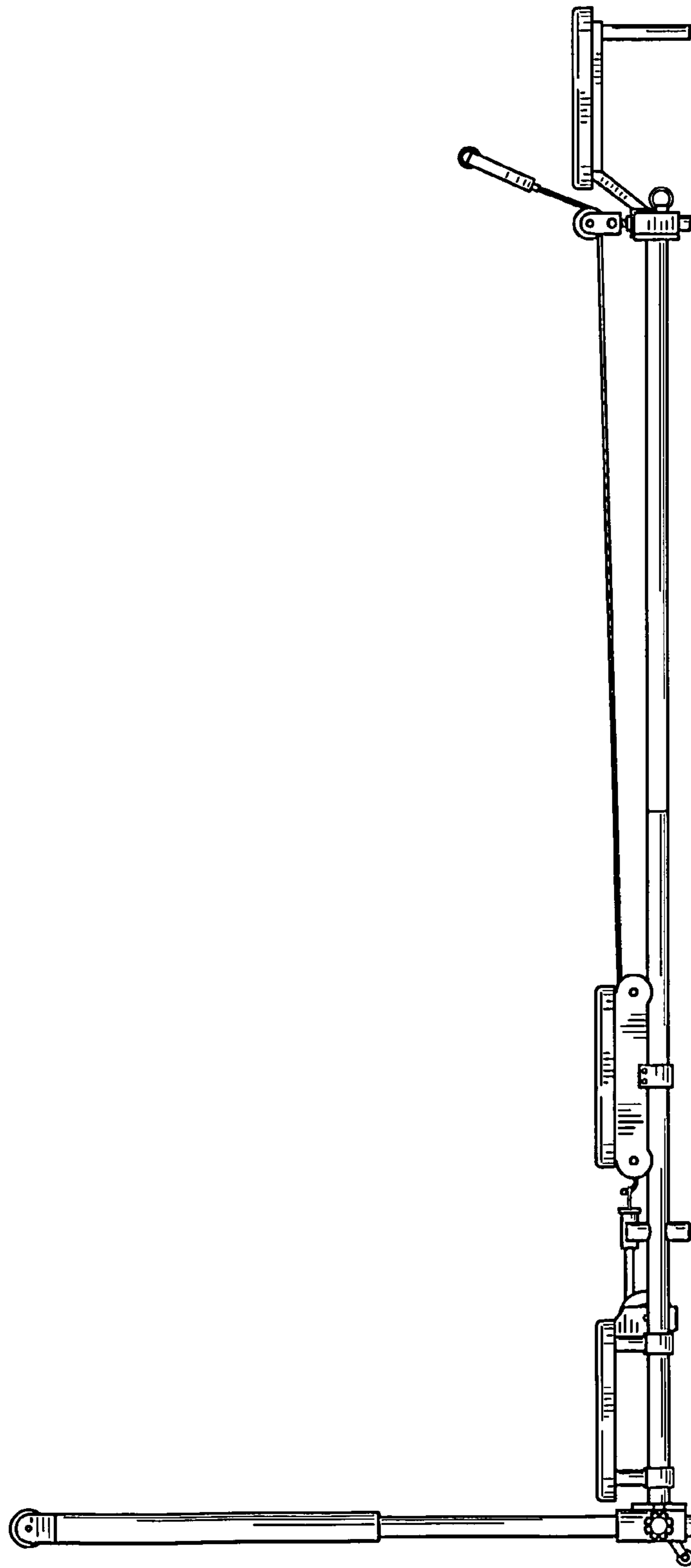


FIG. 2

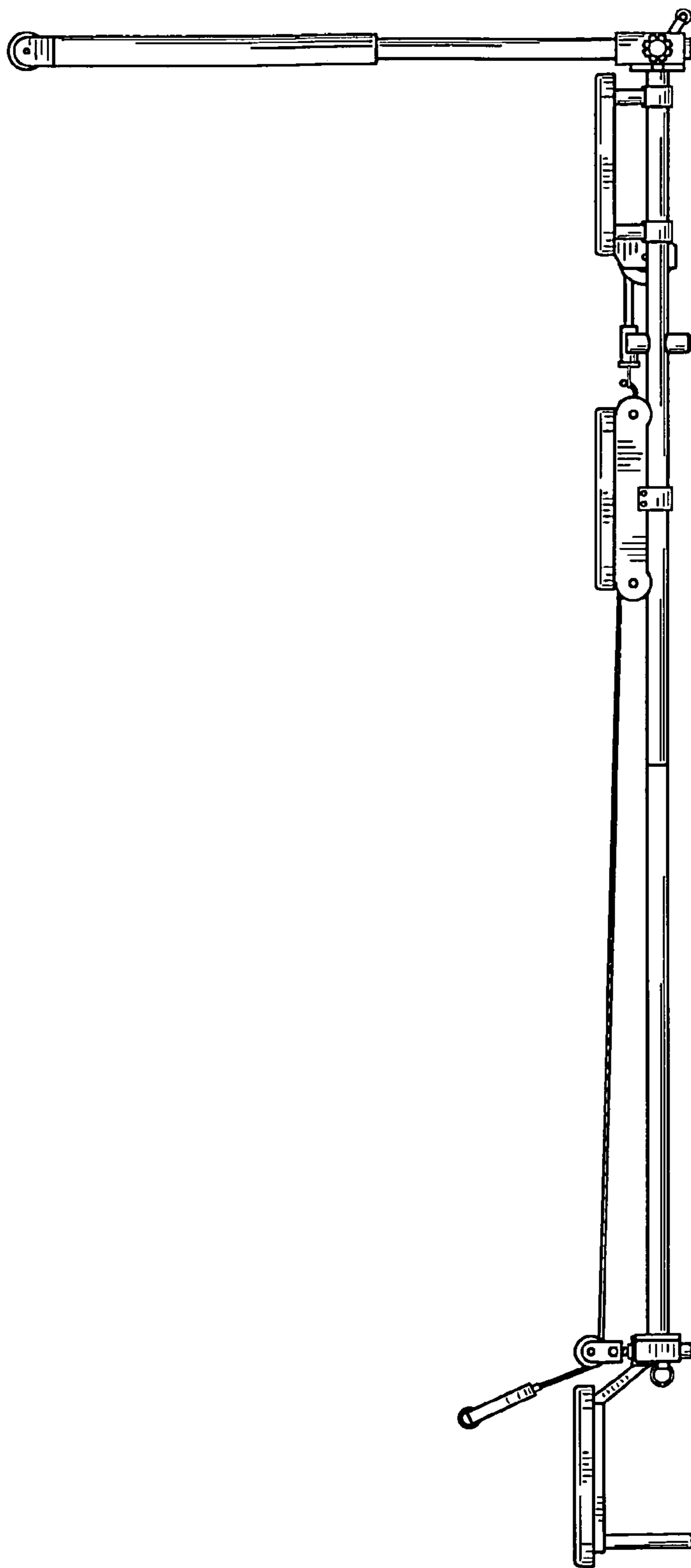


FIG. 3

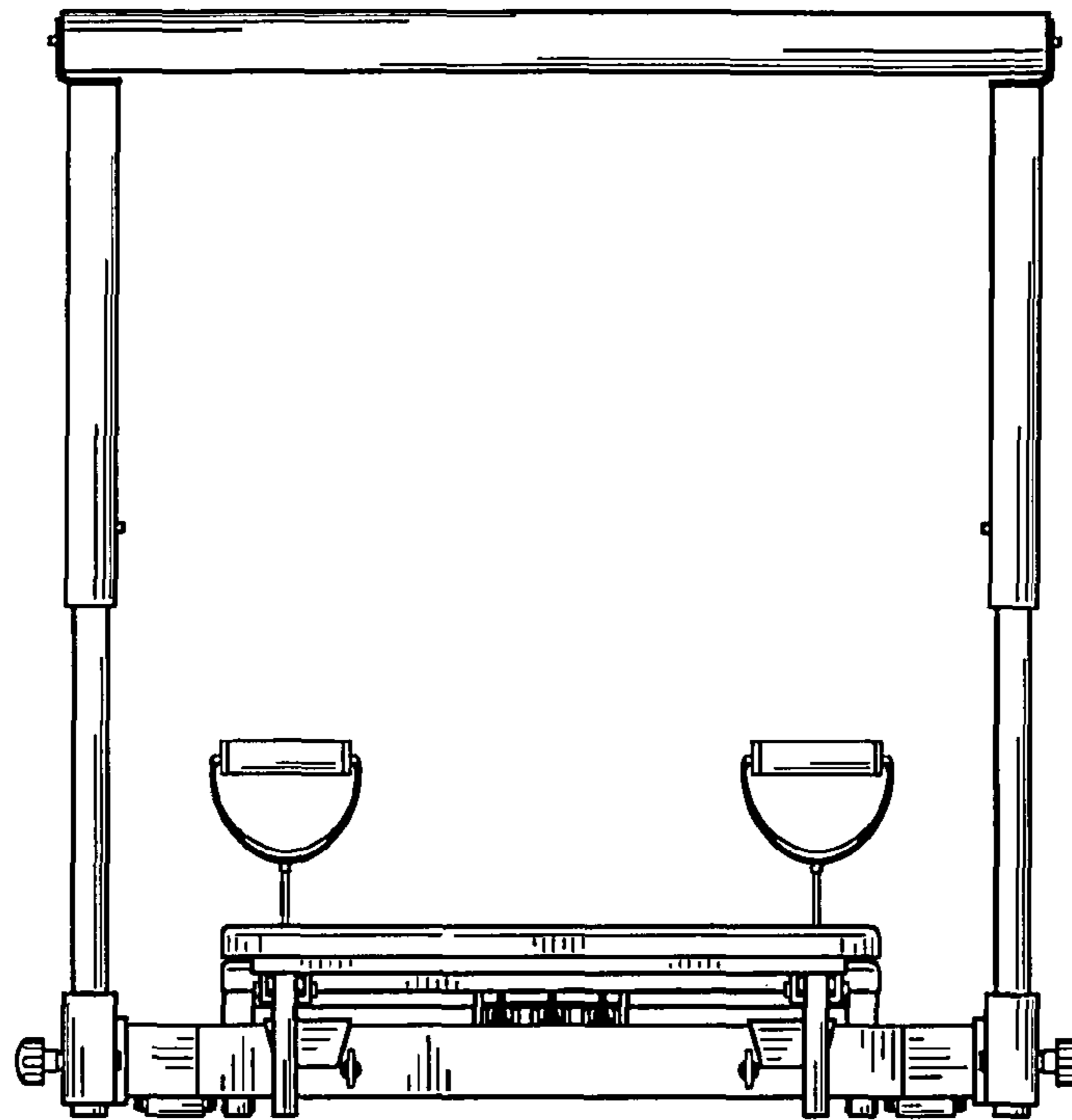


FIG. 4

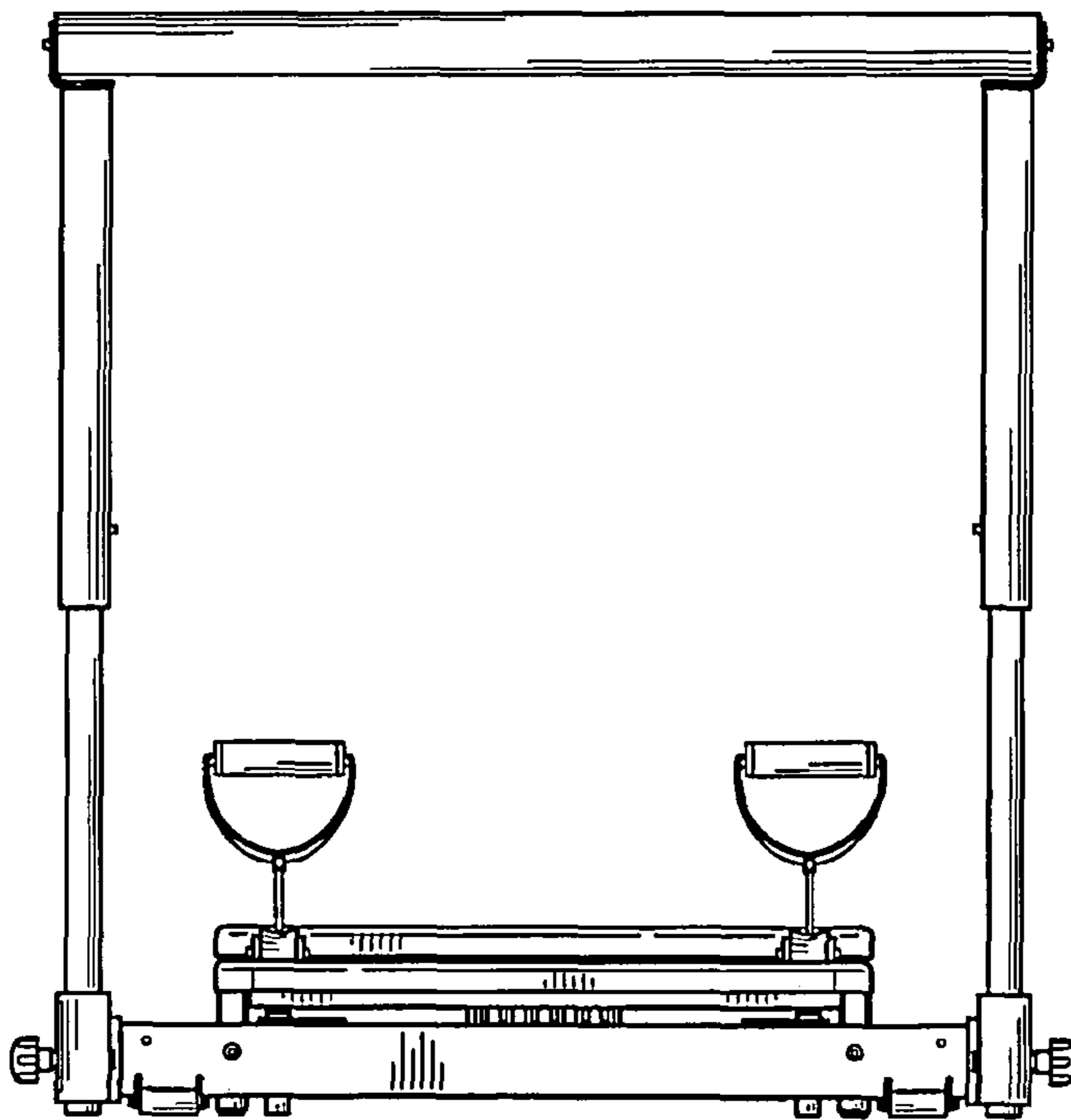


FIG. 5

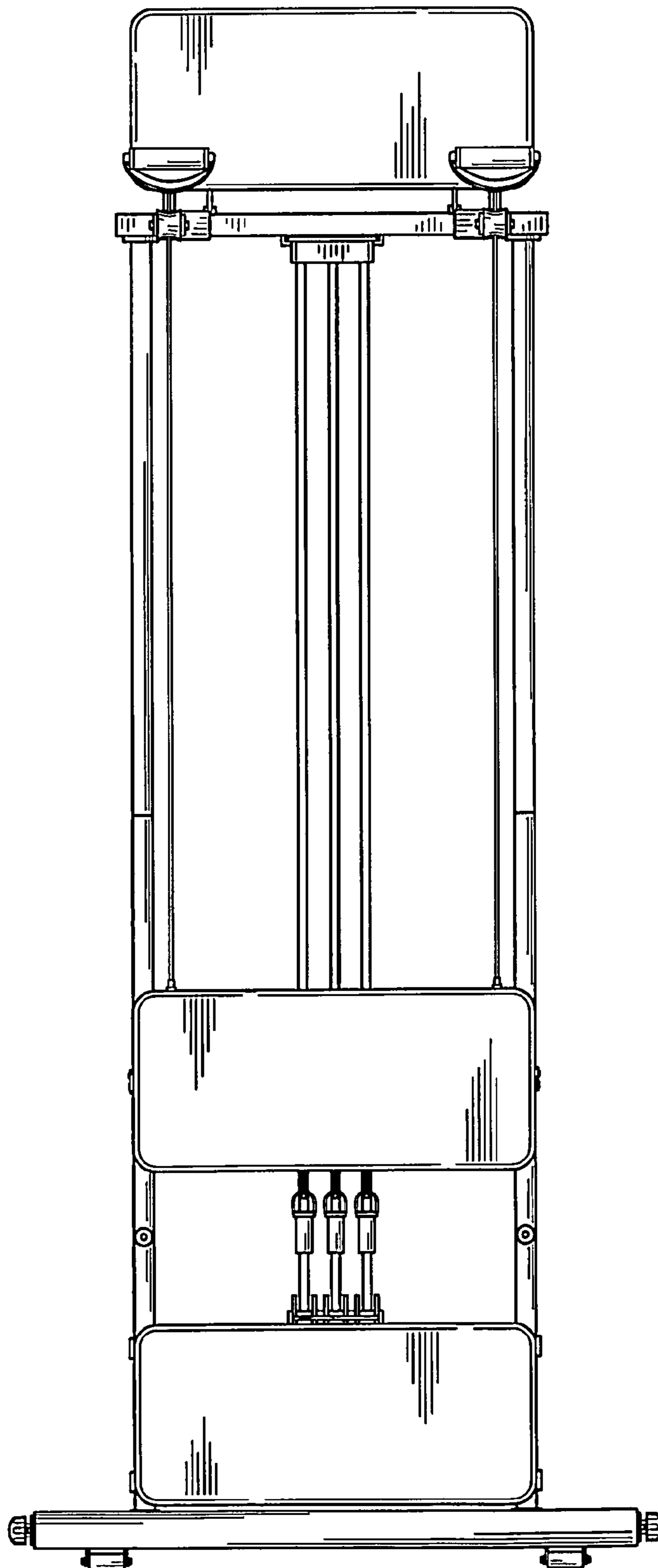


FIG. 6

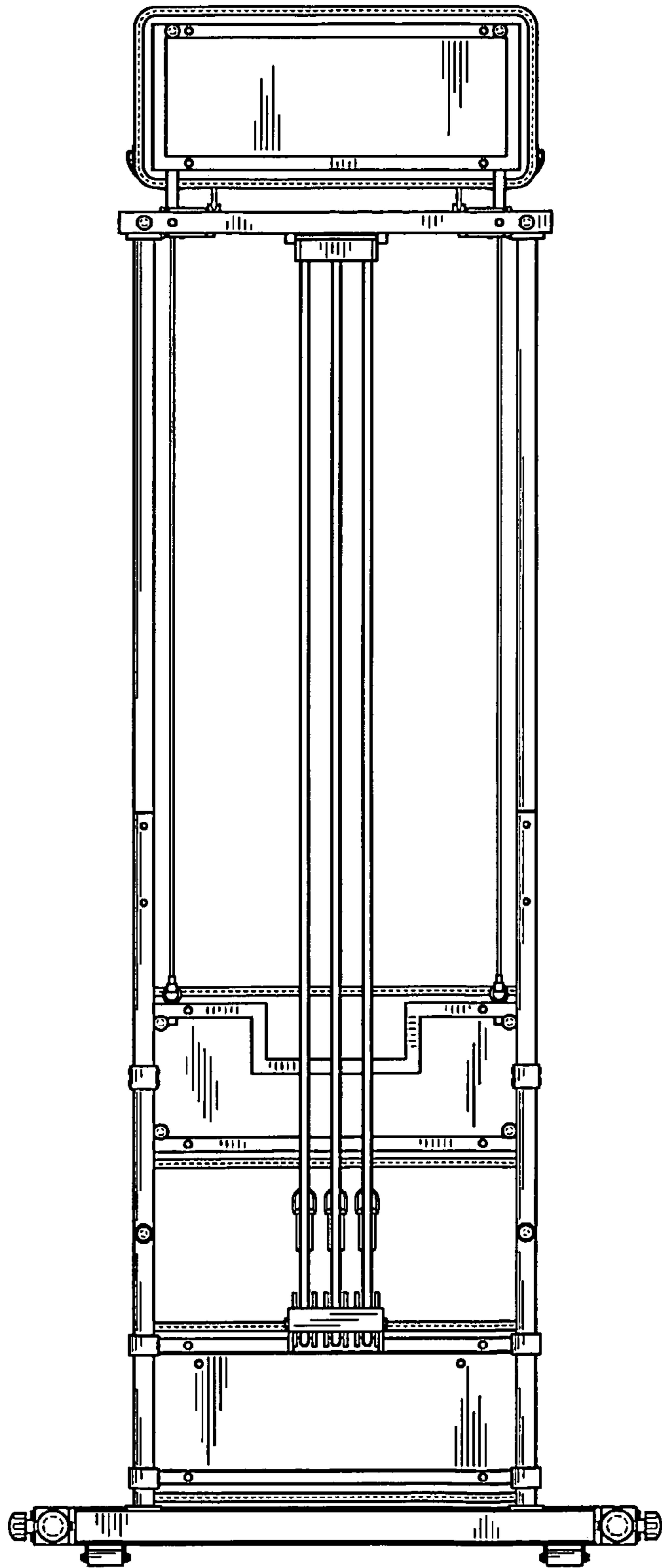


FIG. 7