



US00D726259S

(12) **United States Design Patent**  
**Slupsky**

(10) **Patent No.:** **US D726,259 S**

(45) **Date of Patent:** **\*\* Apr. 7, 2015**

(54) **SCOOTER**

(71) Applicant: **Kooper International Ltd.**, Haifa (IL)

(72) Inventor: **Joseph Slupsky**, Haifa (IL)

(73) Assignee: **Kooper International Ltd.**, Haifa (IL)

(\*\*) Term: **14 Years**

(21) Appl. No.: **29/479,438**

(22) Filed: **Jan. 16, 2014**

(51) **LOC (10) Cl.** ..... **21-01**

(52) **U.S. Cl.**

USPC ..... **D21/423**

(58) **Field of Classification Search**

USPC ..... D21/419, 421, 423, 426, 769, 760, 765,  
D21/771, 803; D12/1, 8, 110, 111, 112,  
D12/131, 132; 280/14.21, 14.25, 14.26,  
280/87.041, 87.042, 263, 288.1, 288.2,  
280/288.4, 200, 214, 809; 180/180, 181

See application file for complete search history.

(56) **References Cited**

**U.S. PATENT DOCUMENTS**

D106,012 S *	9/1937	Adams	.....	D21/423
2,439,556 A *	4/1948	Bancroft	.....	280/87.041
D441,323 S *	5/2001	Cheng	.....	D12/111
D457,197 S *	5/2002	Becker	.....	D21/423
D464,002 S *	10/2002	Ho	.....	D12/110
D479,285 S *	9/2003	Jung	.....	D21/423

D483,078 S *	12/2003	Jung	.....	D21/423
D487,908 S *	3/2004	Mayer et al.	.....	D21/423
D563,484 S *	3/2008	Laatz et al.	.....	D21/423
D656,998 S *	4/2012	Wiggins	.....	D21/423
D710,949 S *	8/2014	Huang	.....	D21/423
2004/0129471 A1 *	7/2004	Cheng	.....	180/181

\* cited by examiner

*Primary Examiner* — Cynthia M Chin

(74) *Attorney, Agent, or Firm* — Carter, DeLuca, Farrell & Schmidt, LLP

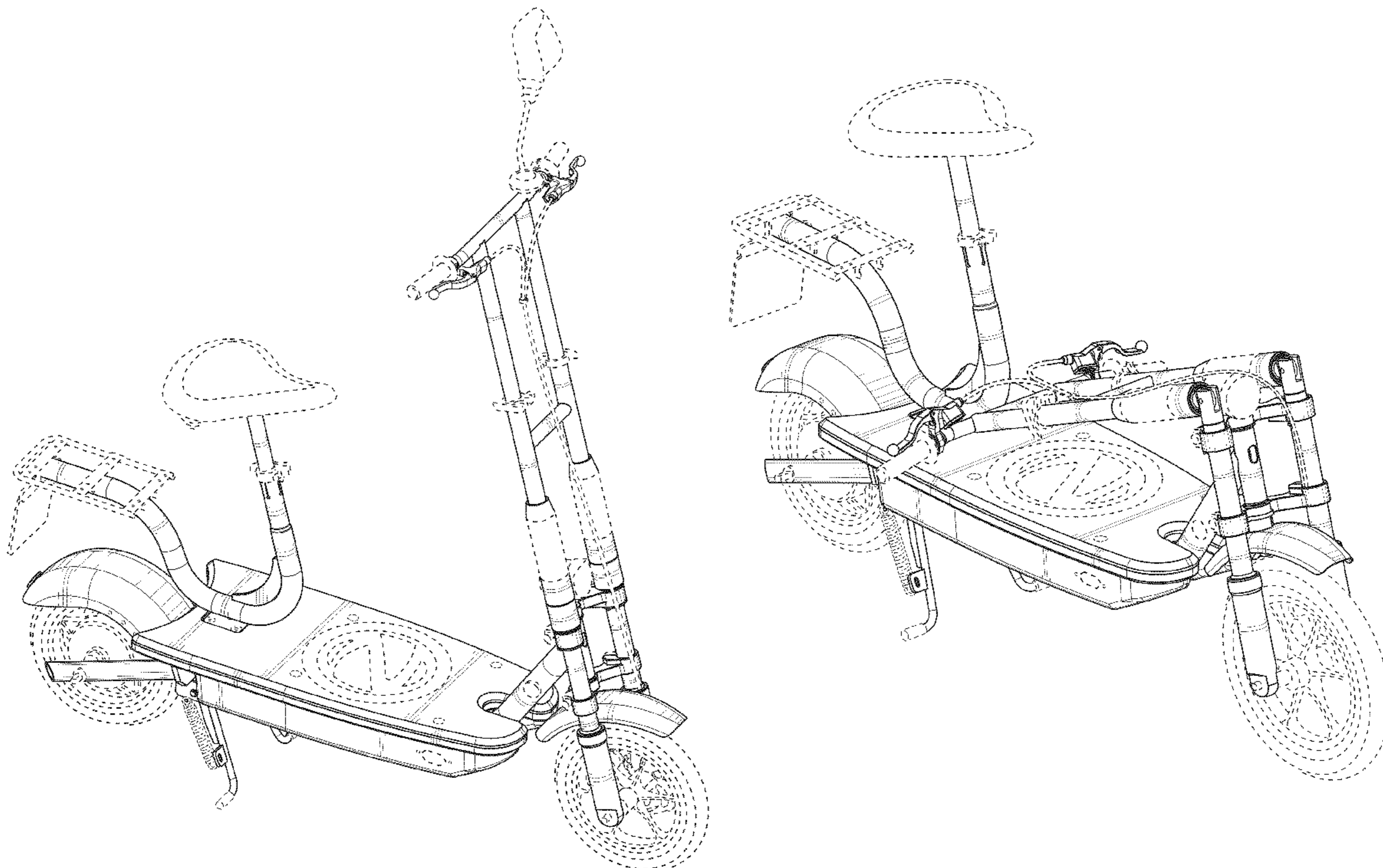
(57) **CLAIM**

The ornamental design for a scooter, as shown and described.

**DESCRIPTION**

FIG. 1 is a perspective view of a scooter in accordance with the present design;  
 FIG. 2 is a right side elevational view thereof;  
 FIG. 3 is a left side elevational view thereof;  
 FIG. 4 is a front side elevational view thereof;  
 FIG. 5 is a rear side elevational view thereof;  
 FIG. 6 is a top plan view thereof;  
 FIG. 7 is a bottom plan view thereof; and,  
 FIG. 8 is a perspective view of the scooter in a folded configuration in accordance with the present design.  
 The broken lines shown are included for the purpose of illustrating portions of the scooter that form no part of the claimed design.

**1 Claim, 7 Drawing Sheets**



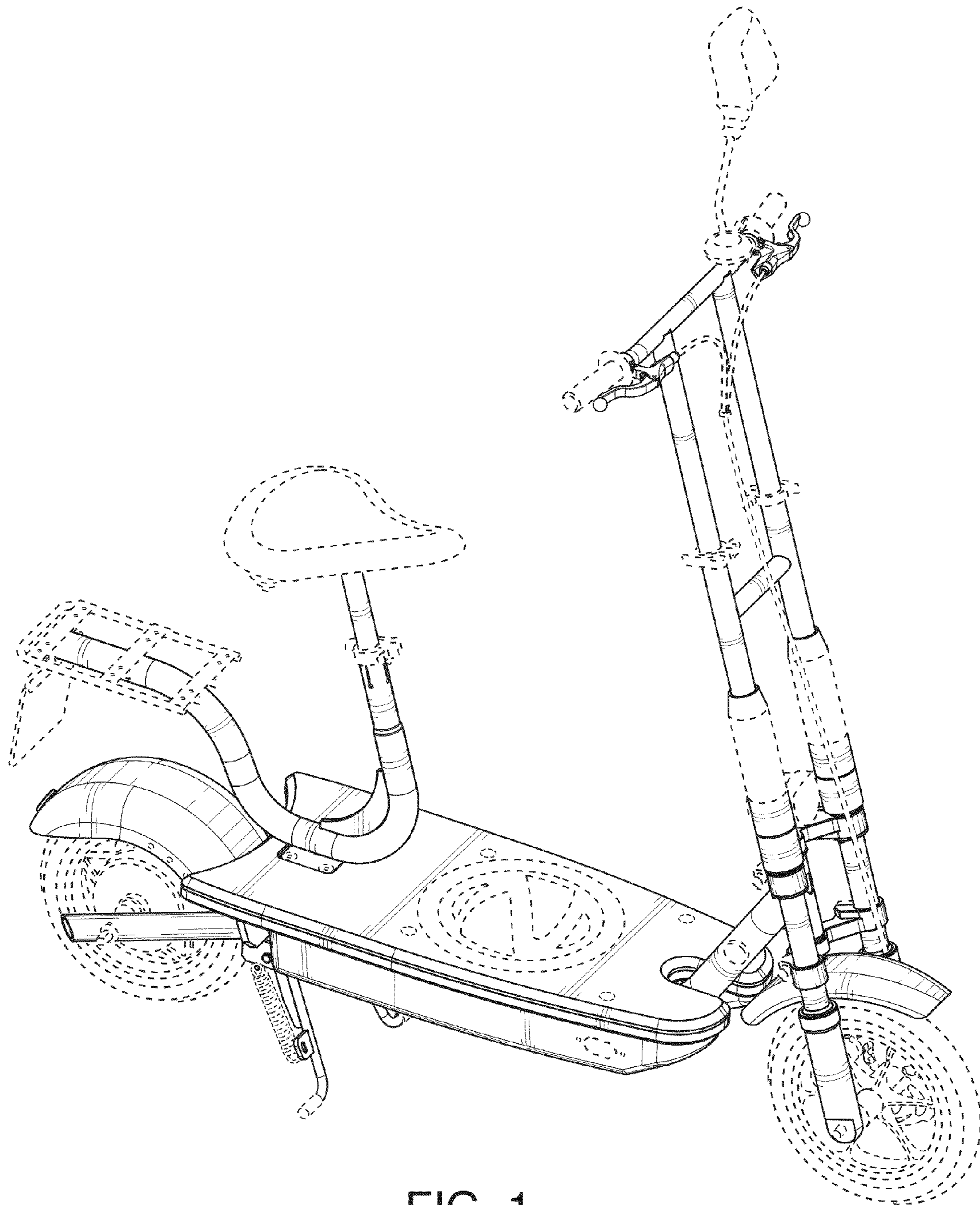


FIG. 1

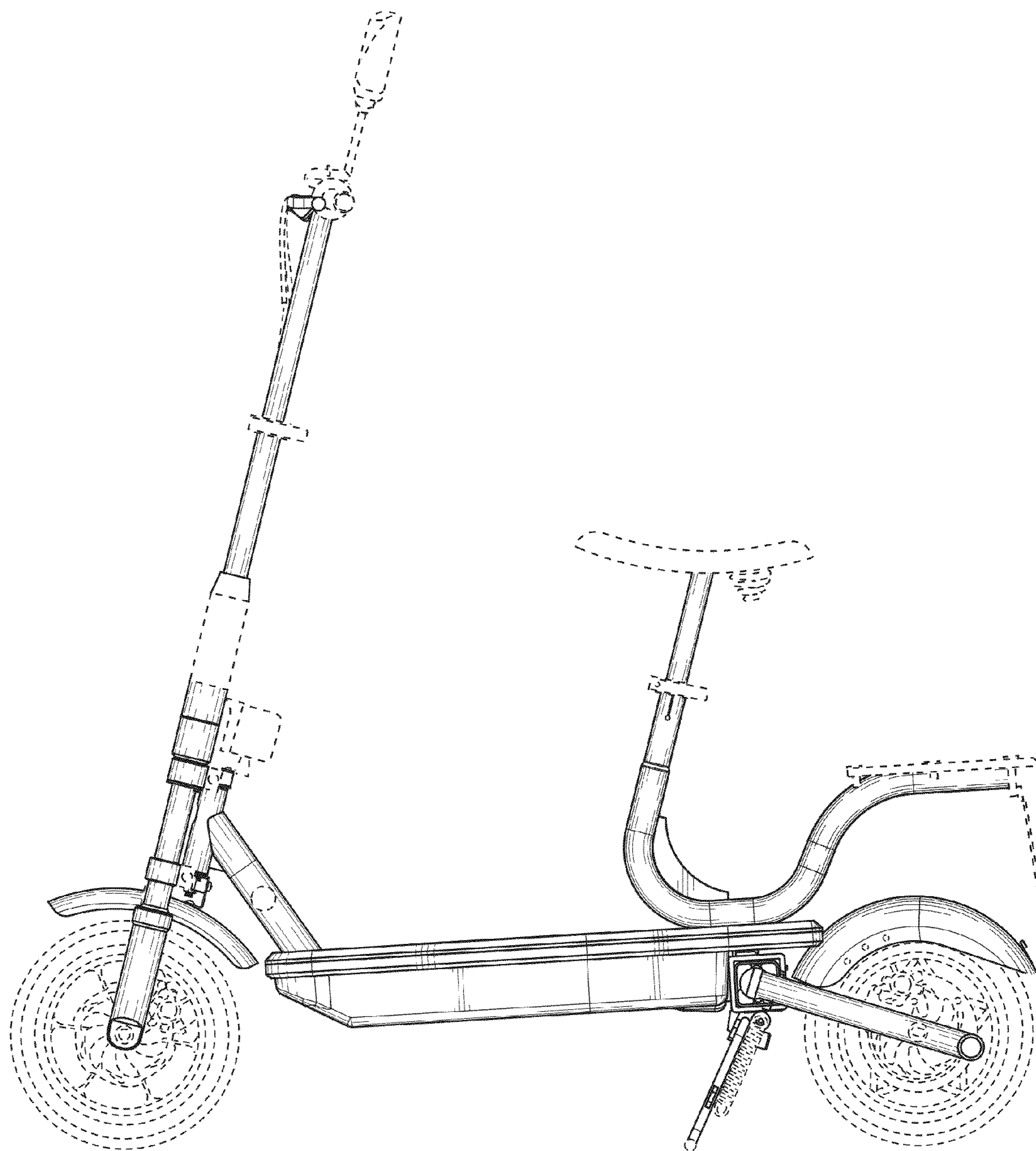


FIG. 2

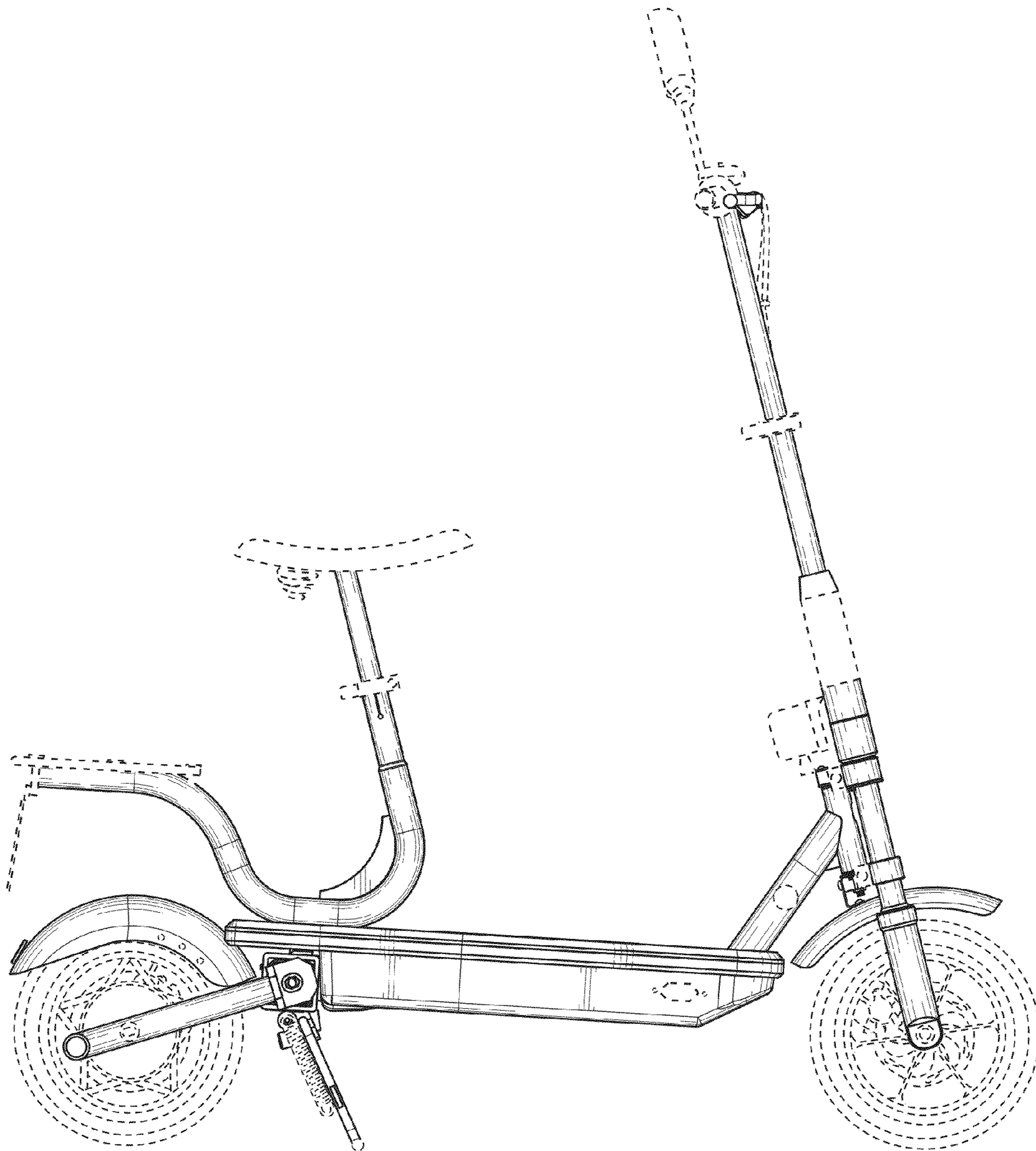


FIG. 3

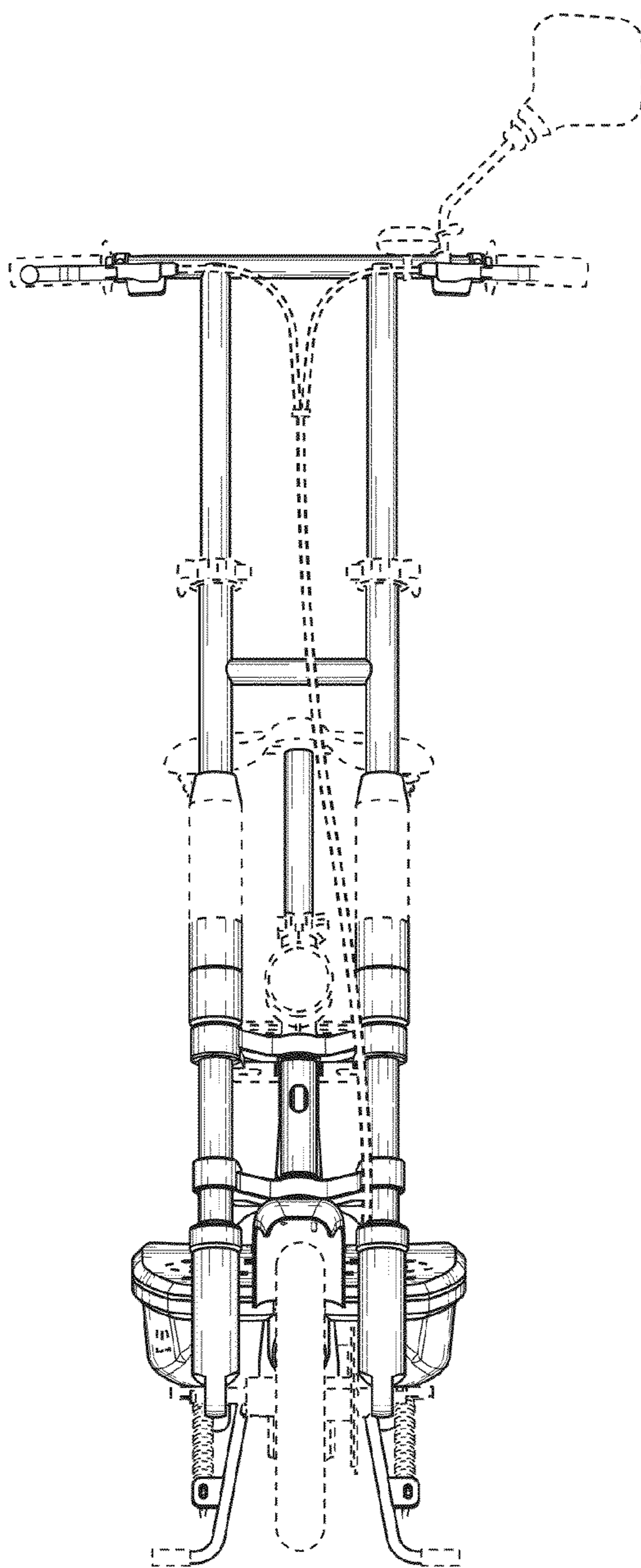


FIG. 4

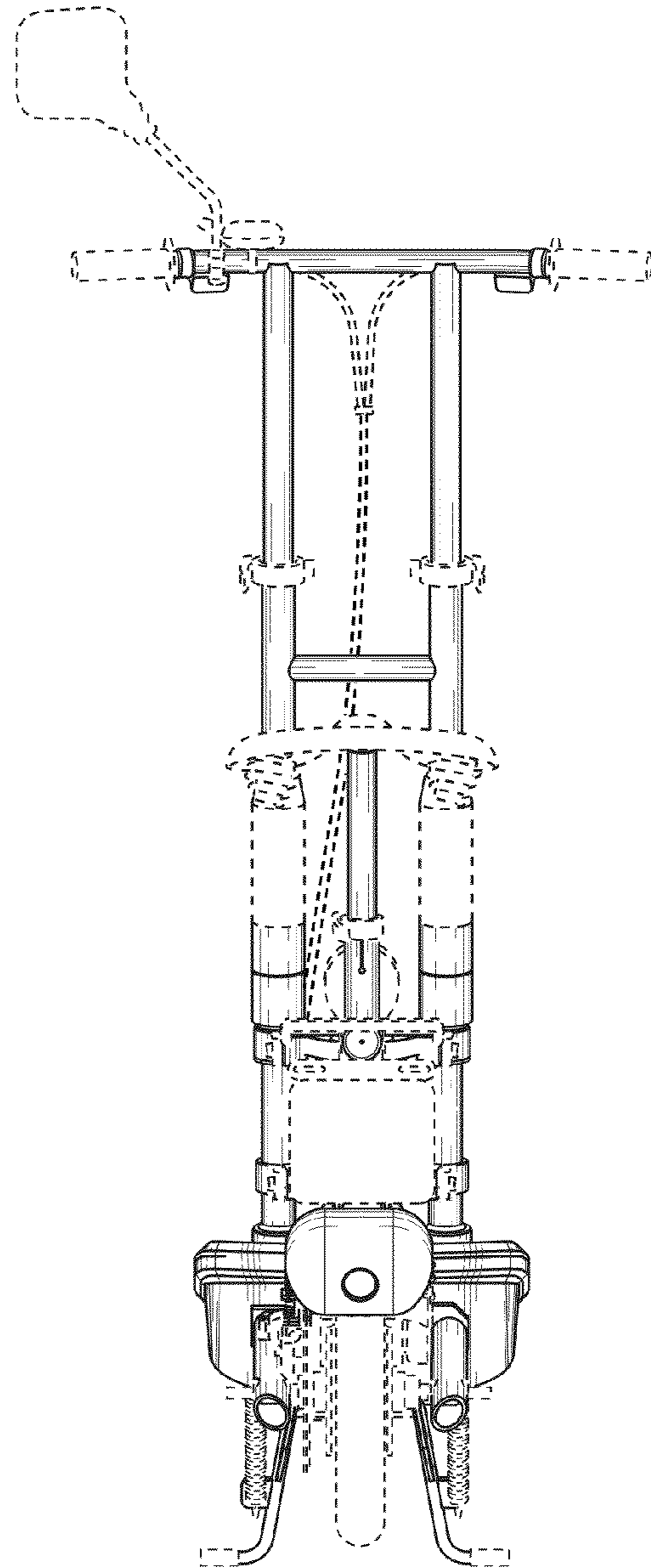


FIG. 5

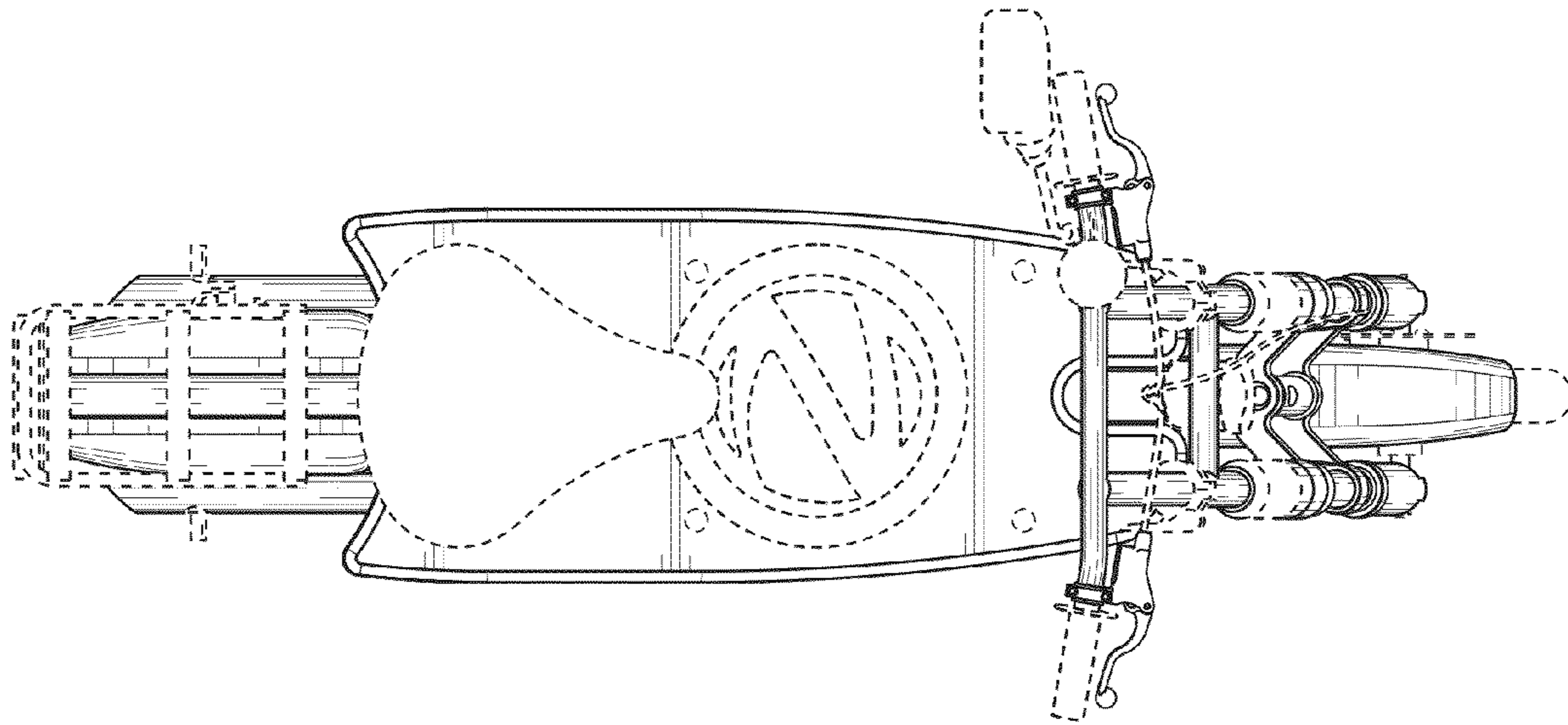


FIG. 6

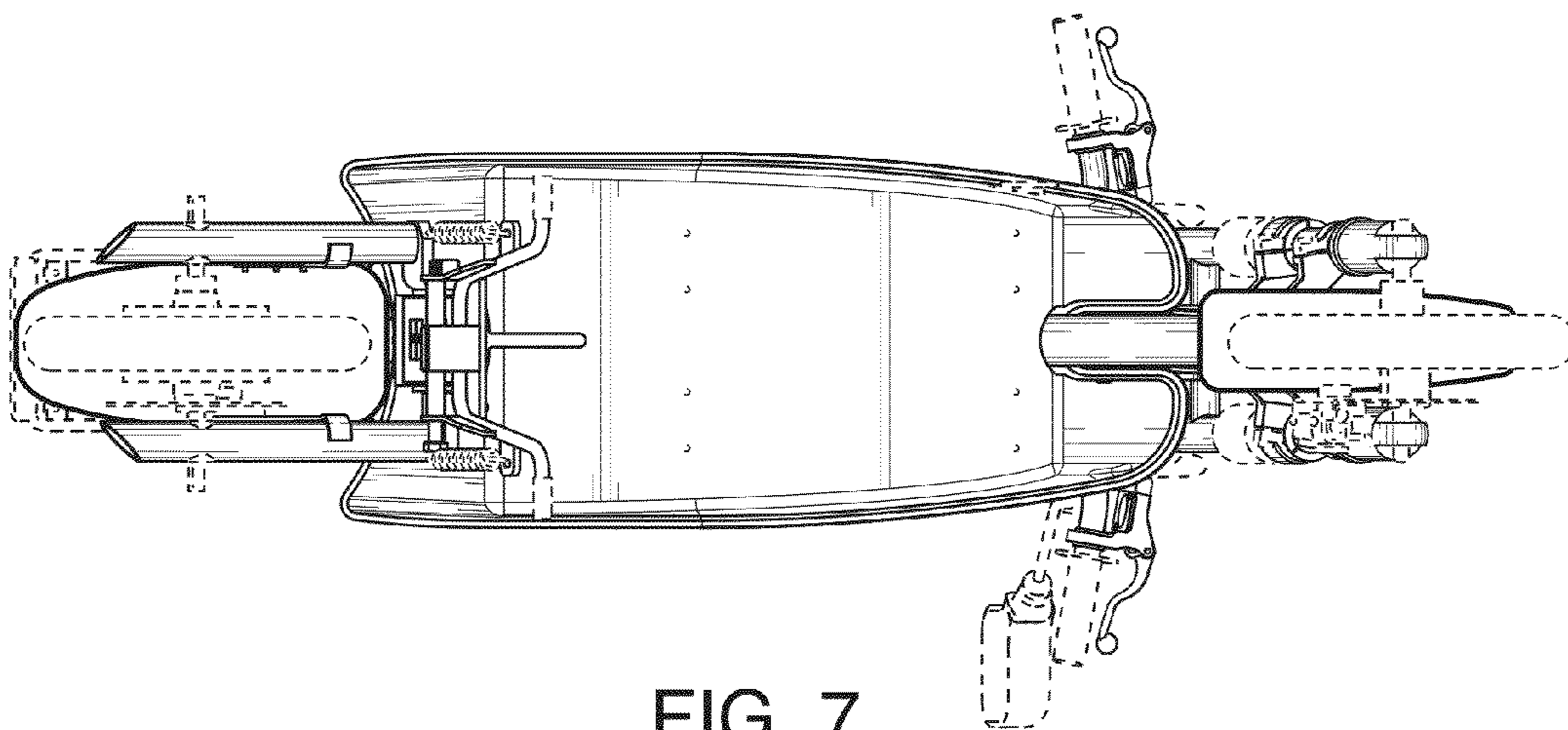


FIG. 7

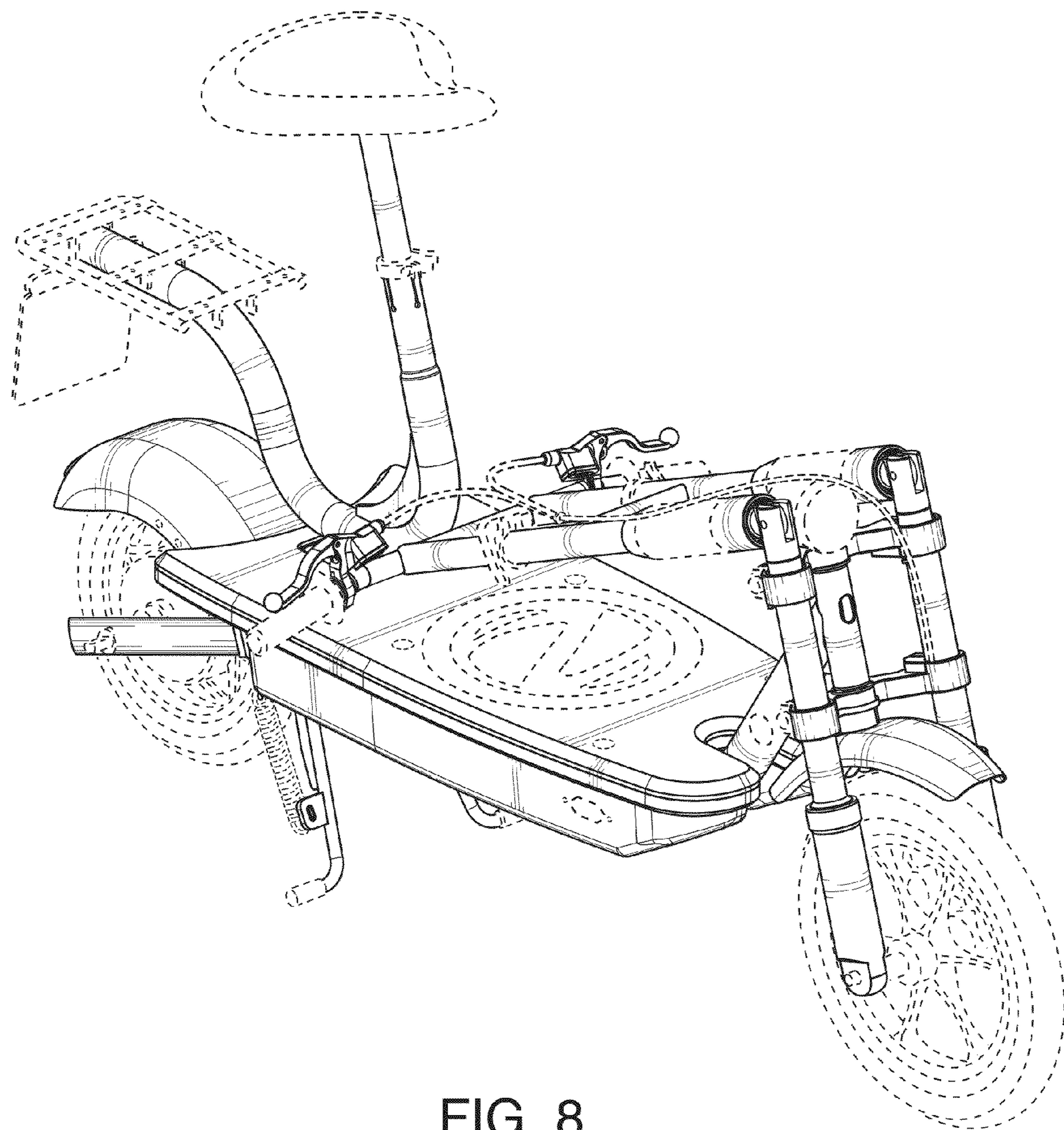


FIG. 8