



US00D726258S

(12) **United States Design Patent**
Callahan et al.

(10) **Patent No.:** **US D726,258 S**
(45) **Date of Patent:** **** Apr. 7, 2015**

(54) **ALPHANUMERIC SIGN COMPONENT**

FOREIGN PATENT DOCUMENTS

(71) Applicant: **iLight Technologies, Inc.**, Chicago, IL (US)

KR	1020100033149	3/2010
MD	3869	3/2009
WO	2013022952	2/2013

(72) Inventors: **Sean Edward Callahan**, Elmhurst, IL (US); **Mark Joseph Cleaver**, Chicago, IL (US); **Chad Glenn Kirschner**, West Dundee, IL (US); **Elizabeth Randgaard**, Evanston, IL (US); **Stephen M. Oshgan**, Des Plaines, IL (US); **Paresh Shroff**, Palatine, IL (US)

OTHER PUBLICATIONS

International Search Report and Written Opinion issued on Feb. 27, 2013 in PCT/US2012/049970.

Primary Examiner — Mary Ann Calabrese
(74) *Attorney, Agent, or Firm* — Fitch Even Tabin & Flannery LLP

(73) Assignee: **iLight Technologies, Inc.**, Chicago, IL (US)

(**) Term: **14 Years**

(57) **CLAIM**

We claim the ornamental design for an alphanumeric sign component, as shown and described.

(21) Appl. No.: **29/433,693**

(22) Filed: **Oct. 3, 2012**

(51) **LOC (10) Cl.** **19-08**

(52) **U.S. Cl.**
USPC **D20/12**

(58) **Field of Classification Search**
CPC G09F 7/00; G09F 7/02; G09F 7/06; G09F 7/16; G09F 7/165; G09F 7/18; G09F 9/00; G09F 11/00; G09F 13/00; G09F 13/02; G09F 13/04; G09F 13/0404; G09F 13/20; G09F 13/26; G09F 13/28; G09F 13/44; G09B 6/0001; B60Q 3/0004
USPC D20/10, 12, 19, 29, 42, 99; 40/212, 40/427, 446, 447, 452, 538–544, 551, 552, 40/558, 576, 584, 596, 600, 606.01, 618, 40/623; 362/218, 235, 559, 812; 345/43
See application file for complete search history.

DESCRIPTION

FIG. 1 is a front perspective view of an alphanumeric sign component in accordance with our new design;
FIG. 2 is a front elevation view of the alphanumeric sign component of FIG. 1;
FIG. 3 is a bottom elevation view of the alphanumeric sign component of FIG. 1;
FIG. 4 is a left side elevation view of the alphanumeric sign component of FIG. 1;
FIG. 5 is a right side elevation view of the alphanumeric sign component of FIG. 1;
FIG. 6 is a top plan view of the alphanumeric sign component of FIG. 1;
FIG. 7 is bottom plan view of the alphanumeric sign component of FIG. 1; and,
FIG. 8 is a front perspective view of an alphanumeric sign component in accordance with a second embodiment of our new design.
The broken lines depict unclaimed environmental subject matter and form no part of the claimed design.

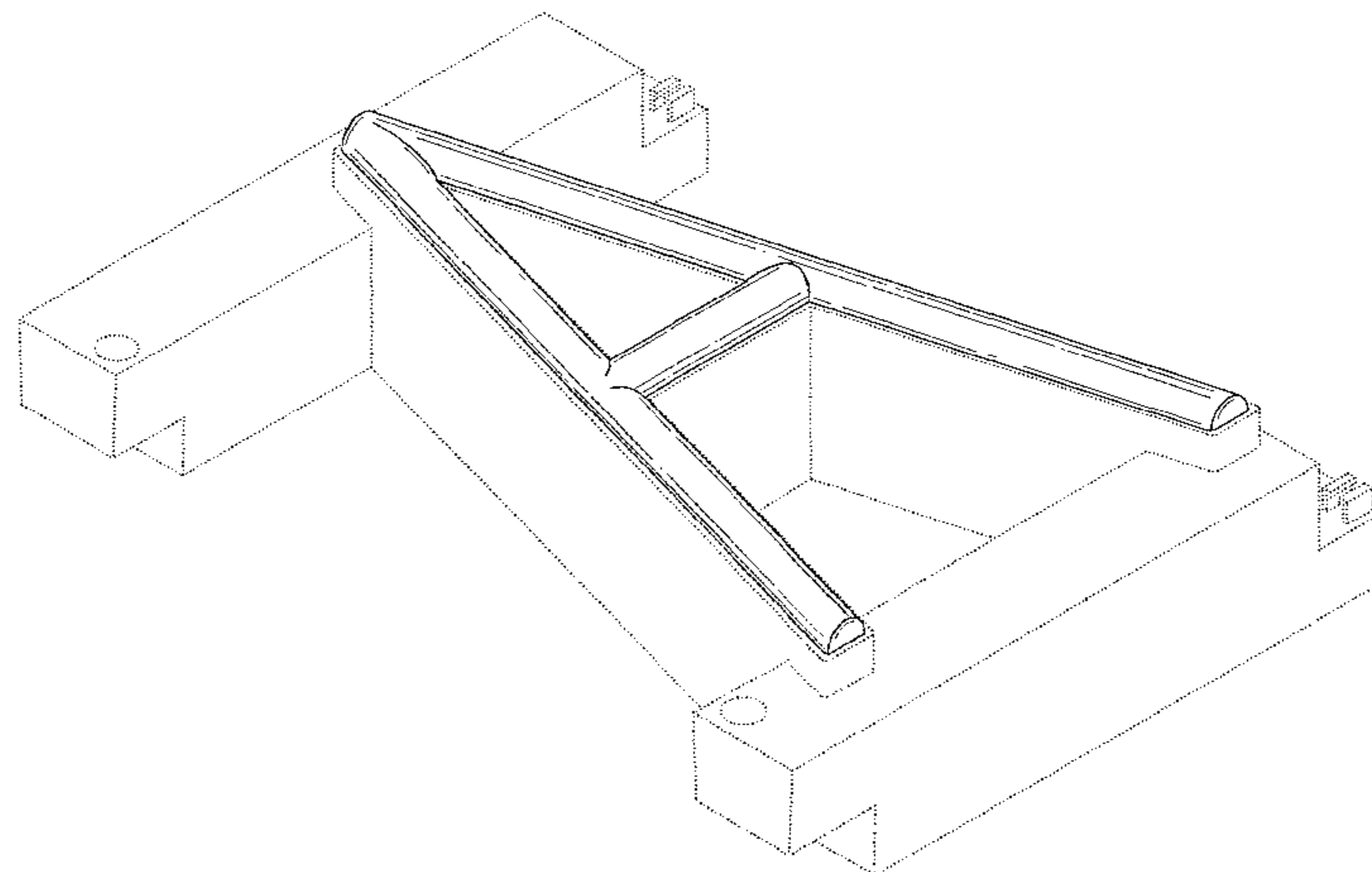
(56) **References Cited**

U.S. PATENT DOCUMENTS

178,506 A 6/1876 Brumfield
873,921 A 12/1907 Chester

(Continued)

1 Claim, 4 Drawing Sheets



(56)

References Cited

U.S. PATENT DOCUMENTS

1,558,297	A *	10/1925	Schilling	40/596	5,020,253	A	6/1991	Lie	
1,570,980	A *	1/1926	Wiegand	40/545	5,159,772	A	11/1992	Akaley	
1,642,022	A *	9/1927	Groh	40/212	6,305,110	B1 *	10/2001	Chang	40/576
1,777,793	A *	10/1930	Grunhut	40/552	6,676,284	B1 *	1/2004	Wynne Willson	362/555
1,915,801	A	6/1933	Raymond		6,711,262	B1	3/2004	Vatanen	
2,156,409	A *	5/1939	Stobbe	40/542	6,745,507	B2	6/2004	Golding	
2,169,409	A *	8/1939	Dey	40/524	6,826,860	B2	12/2004	Ko	
2,853,819	A	9/1958	Leesch		6,868,391	B1	3/2005	Hultgren	
2,895,245	A *	7/1959	Spangler	40/552	7,258,267	B2	8/2007	Choi	
3,358,398	A *	12/1967	Chalfin	40/596	7,685,753	B2	3/2010	Slowski	
4,155,185	A *	5/1979	Lemelson	40/623	D695,848	S *	12/2013	Kieves et al.	D21/439
4,471,350	A	9/1984	Chow		2006/0245190	A1 *	11/2006	Thompson et al.	362/235
4,532,579	A	7/1985	Merryman		2007/0255662	A1	11/2007	Tumminaro	
4,818,207	A	4/1989	Heron		2008/0011825	A1	1/2008	Giordano	
					2010/0115811	A1	5/2010	Koper	
					2011/0069483	A1 *	3/2011	Tsao	362/235
					2014/0109447	A1 *	4/2014	Kirschner et al.	40/606.01

* cited by examiner

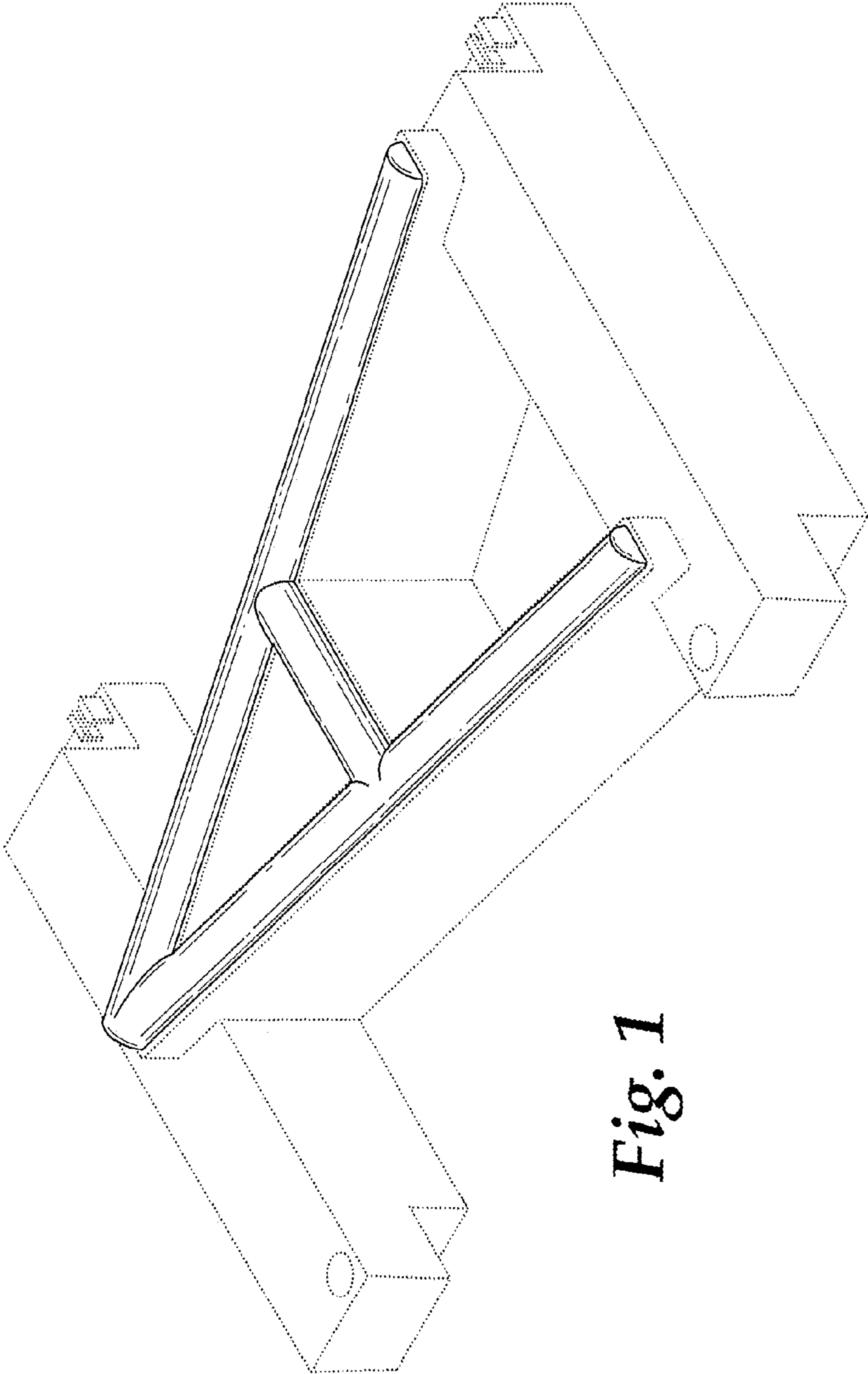


Fig. 1

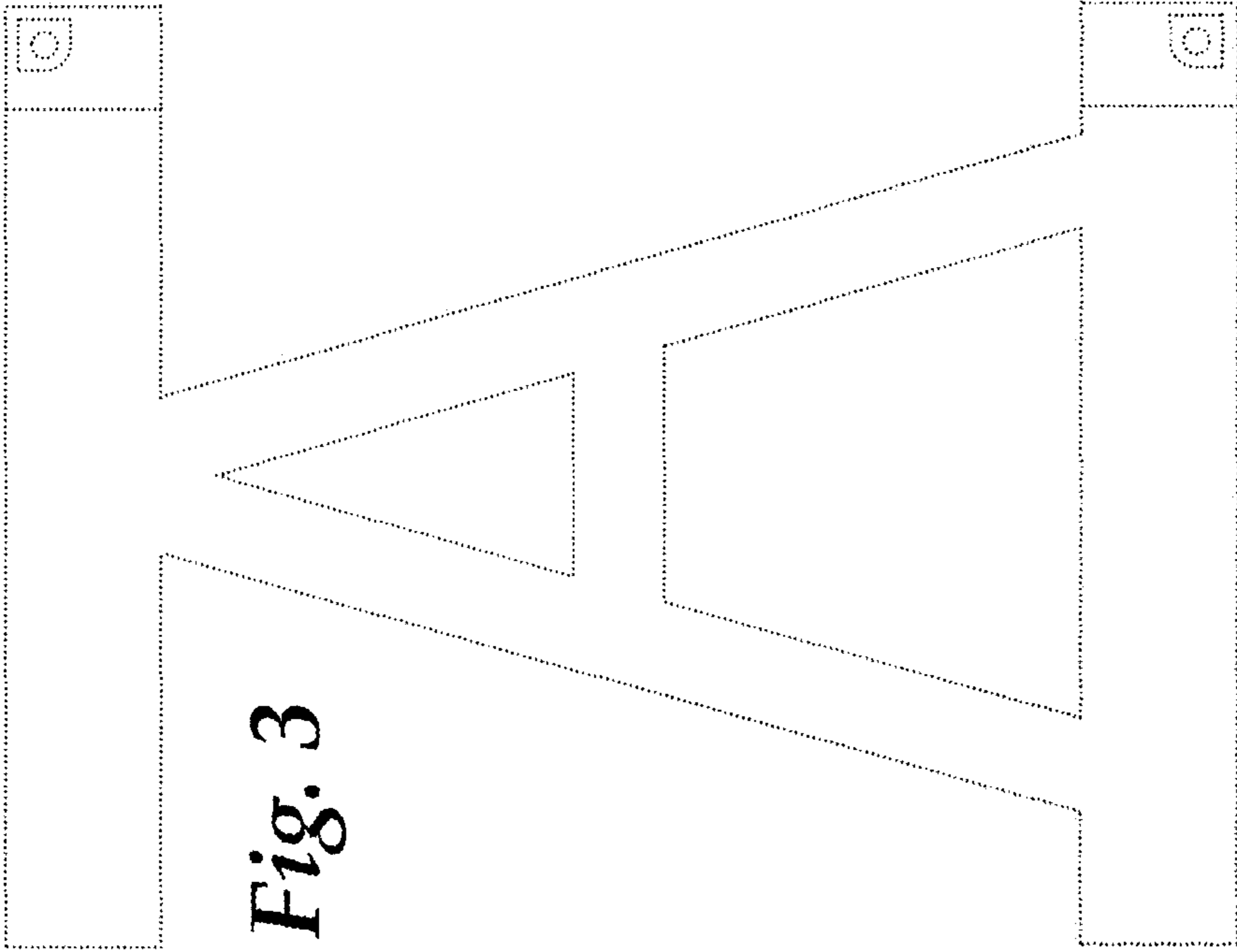


Fig. 3

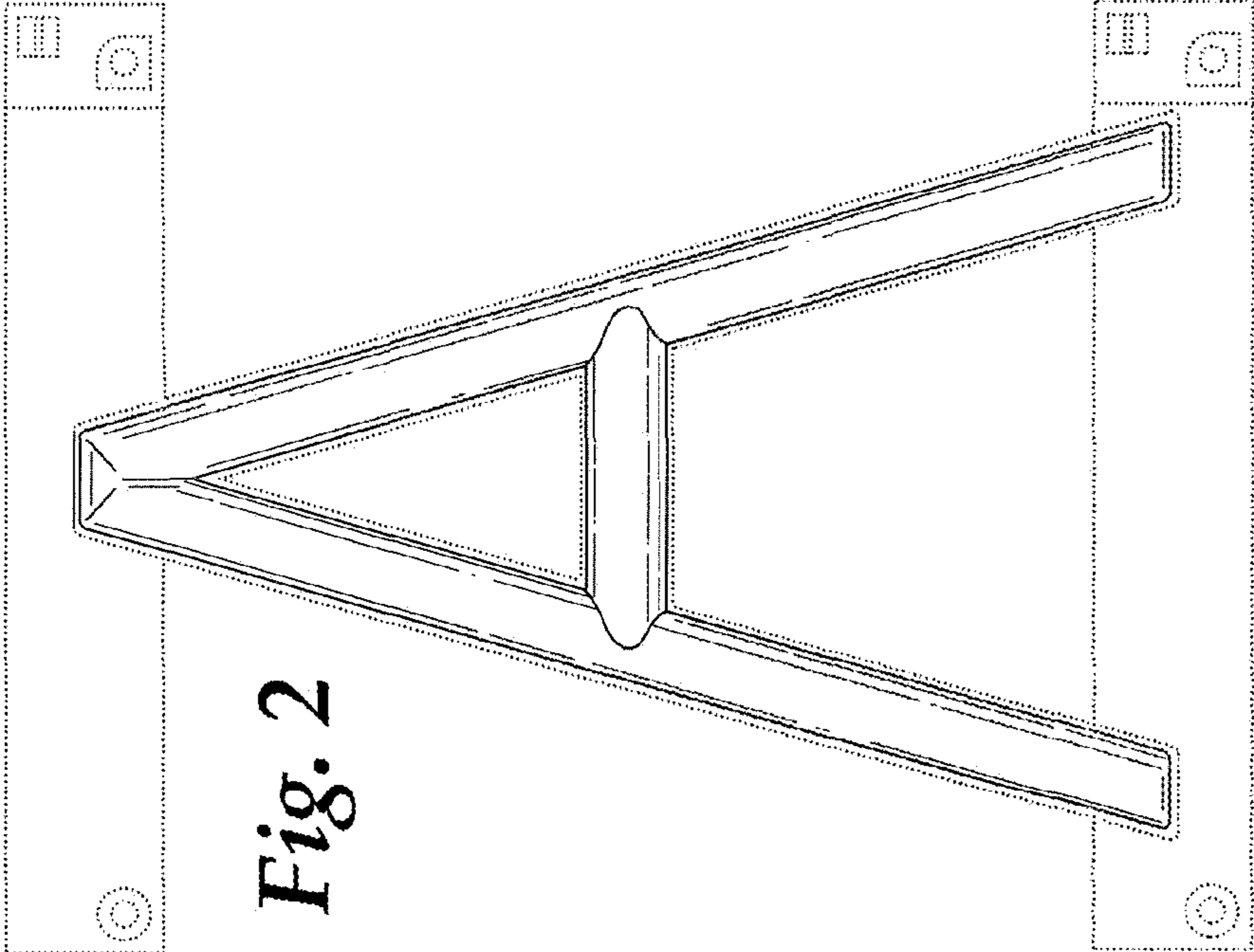


Fig. 2

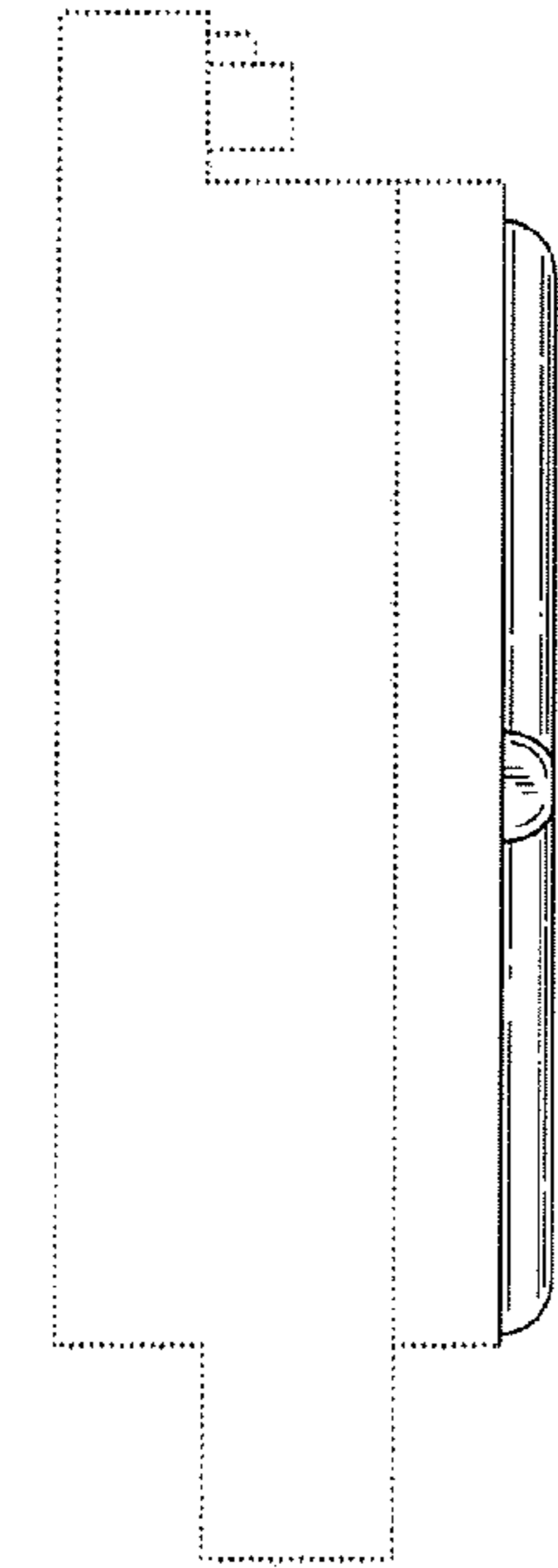


Fig. 6

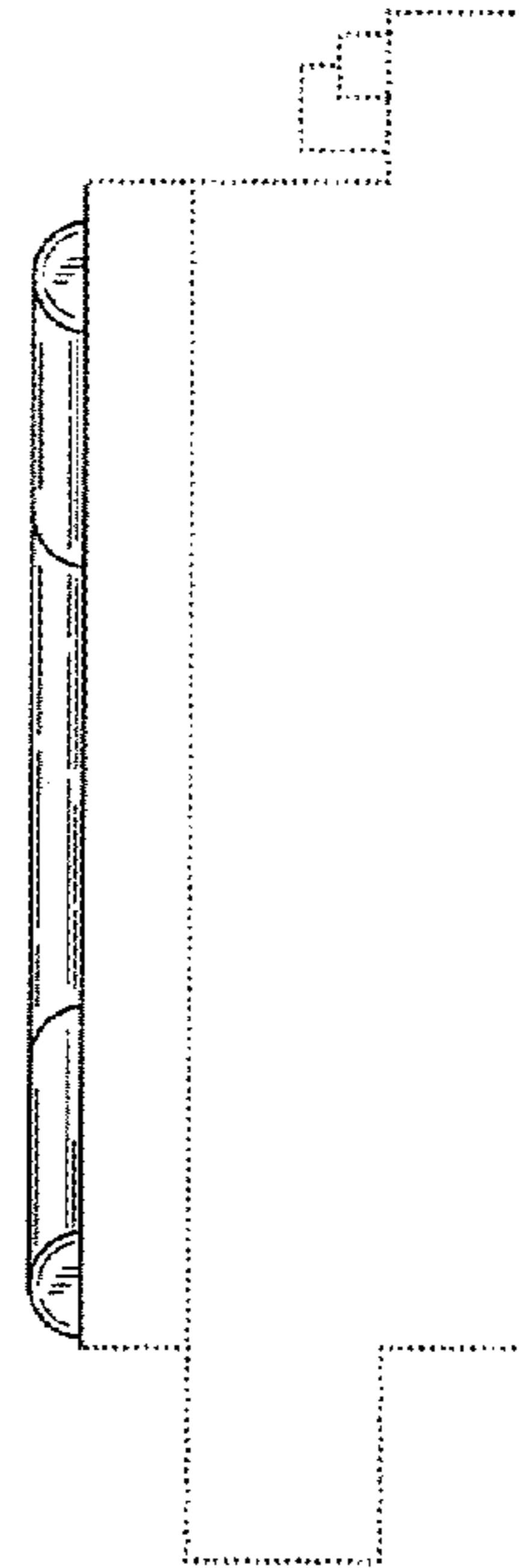


Fig. 7



Fig. 4

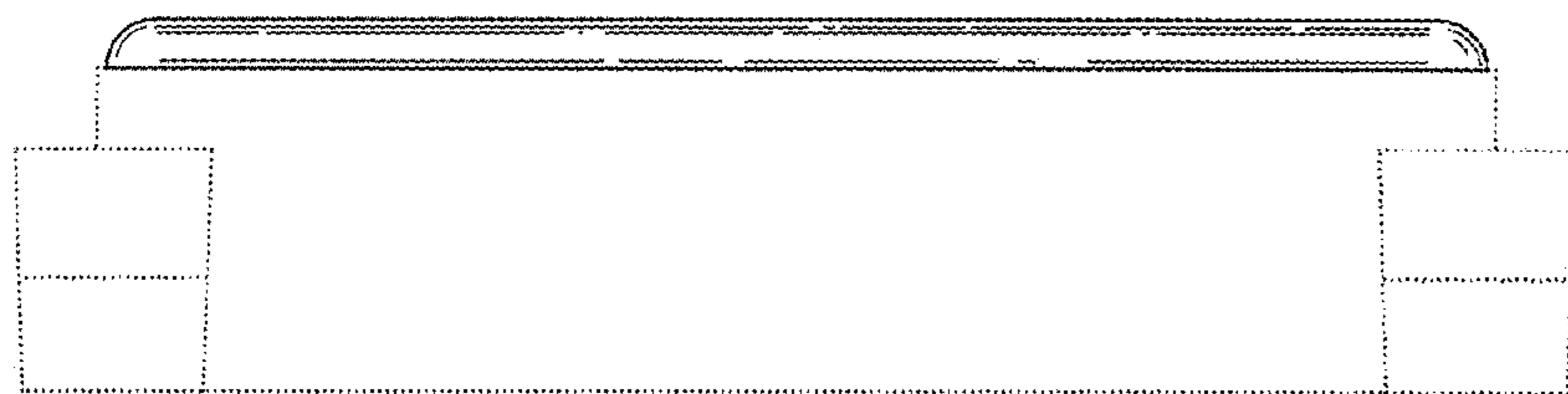


Fig. 5

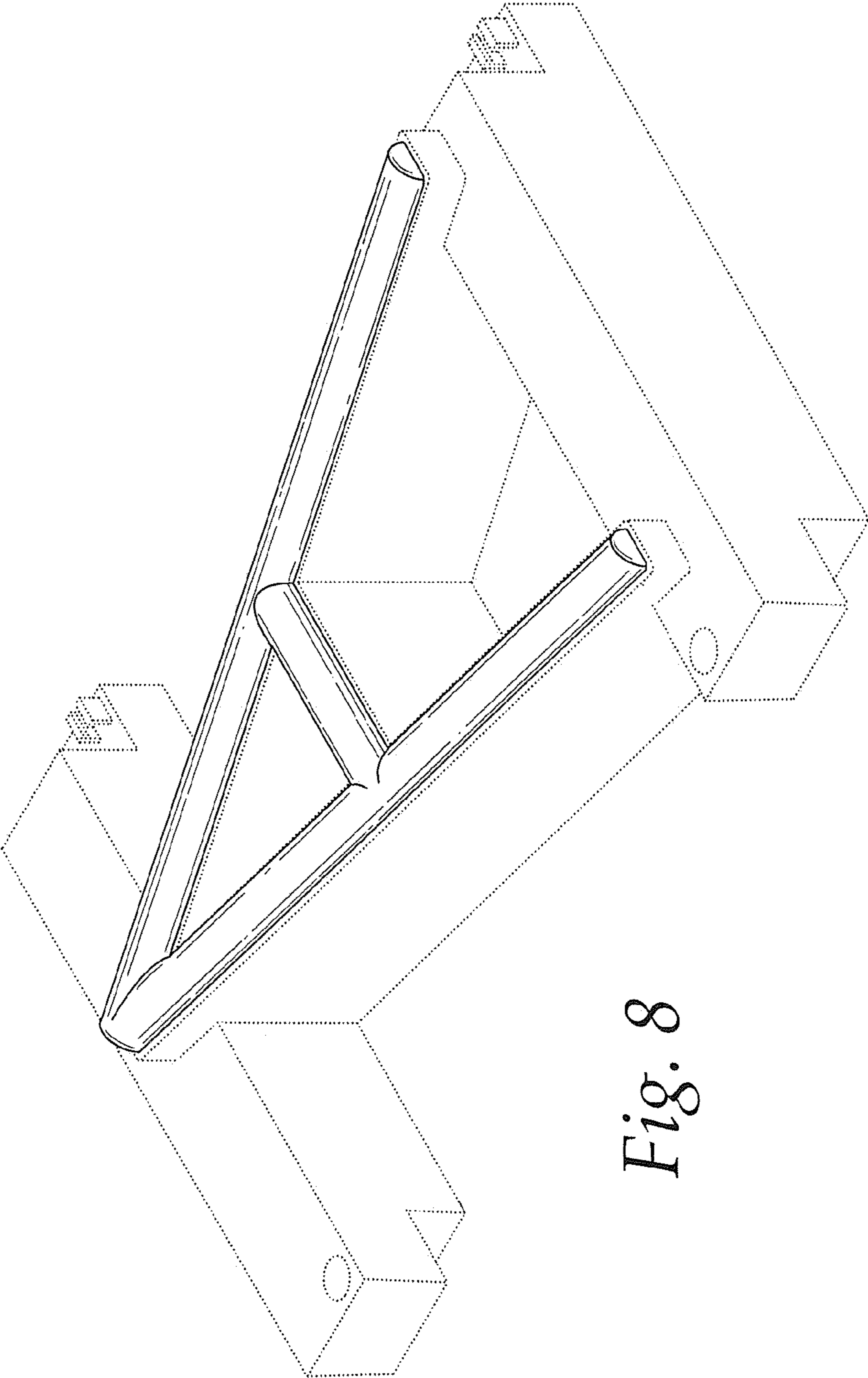


Fig. 8