



US00D726253S

(12) **United States Design Patent**
Kim et al.

(10) **Patent No.:** **US D726,253 S**
(45) **Date of Patent:** **** Apr. 7, 2015**

(54) **PRINTER**

(71) Applicant: **Samsung Electronics Co., Ltd.**,
Suwon-si (KR)

(72) Inventors: **KyongHwan Kim**, Seoul (KR);
Seungwook Jeong, Seoul (KR);
Taekung Park, Seoul (KR)

(73) Assignee: **Samsung Electronics Co., Ltd.**,
Suwon-si (KR)

(**) Term: **14 Years**

(21) Appl. No.: **29/484,694**

(22) Filed: **Mar. 12, 2014**

(30) **Foreign Application Priority Data**

Sep. 26, 2013 (KR) 30-2013-0049126

(51) **LOC (10) Cl.** **18-02**

(52) **U.S. Cl.**
USPC **D18/56; D18/50**

(58) **Field of Classification Search**
CPC B41J 11/00; B41J 2/00; B41J 2/205;
B41J 2/385; B41J 13/00; B41J 29/393;
B41J 27/16
USPC D18/36, 37, 38, 39, 41, 50, 53, 54, 56,
D18/99; D14/387, 388, 389, 390
See application file for complete search history.

(56) **References Cited**

U.S. PATENT DOCUMENTS

D422,625 S * 4/2000 Brown et al. D18/41
D425,109 S * 5/2000 Brown et al. D18/41
D486,513 S * 2/2004 Ohashi D18/41

D487,286 S * 3/2004 Hoshiya D18/50
D487,287 S * 3/2004 Hoshiya D18/50
D529,074 S * 9/2006 Inoue D18/41
D534,207 S * 12/2006 Hwang et al. D18/50
D537,471 S * 2/2007 Inoue D18/41
D545,356 S * 6/2007 Hoshiya et al. D18/50
D548,776 S * 8/2007 Egami et al. D18/50
D573,632 S * 7/2008 Iwai D18/50
D578,154 S * 10/2008 Isogai et al. D18/40
D584,349 S * 1/2009 Tani D18/55
D619,641 S * 7/2010 Brown et al. D18/41
D659,750 S * 5/2012 Nagano et al. D18/41
D664,591 S * 7/2012 Ohta et al. D18/41
D667,486 S * 9/2012 Inoue et al. D18/50
D692,477 S * 10/2013 Kim et al. D18/53
D711,403 S * 8/2014 Thornton et al. D14/486

* cited by examiner

Primary Examiner — Eric Goodman

Assistant Examiner — Amy Wierenga

(74) *Attorney, Agent, or Firm* — NSIP Law

(57) **CLAIM**

We claim the ornamental design for a printer, as shown and described.

DESCRIPTION

FIG. 1 is a front perspective view of a printer showing our new design;
FIG. 2 is a front view thereof;
FIG. 3 is a rear view thereof;
FIG. 4 is a left-side view thereof;
FIG. 5 is a right-side view thereof;
FIG. 6 is a top view thereof;
FIG. 7 is a bottom view thereof; and,
FIG. 8 is a left-side perspective view thereof.
The broken lines in the figures show portions of the printer which form no part of the claimed design.

1 Claim, 8 Drawing Sheets

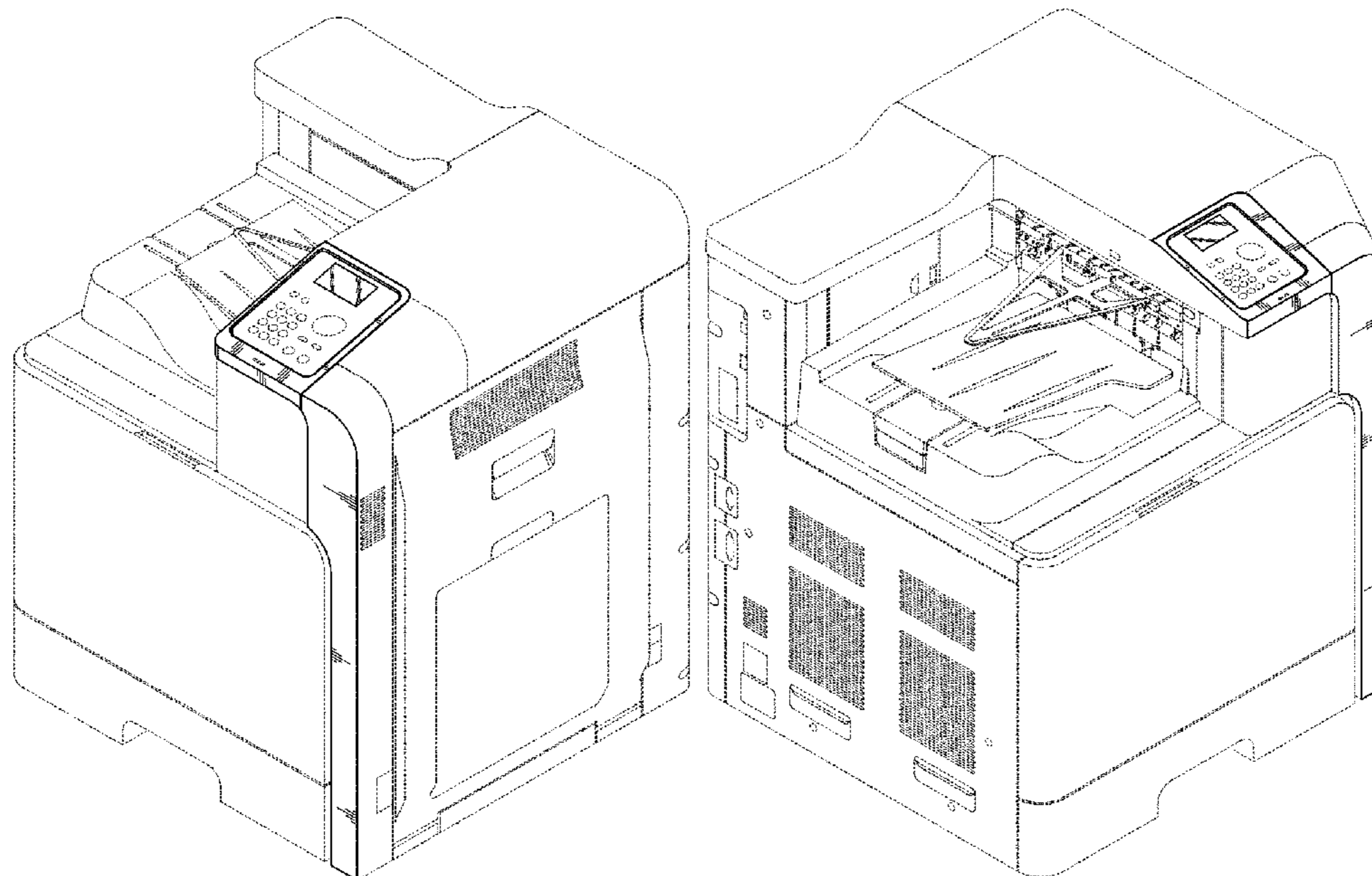


FIG. 1

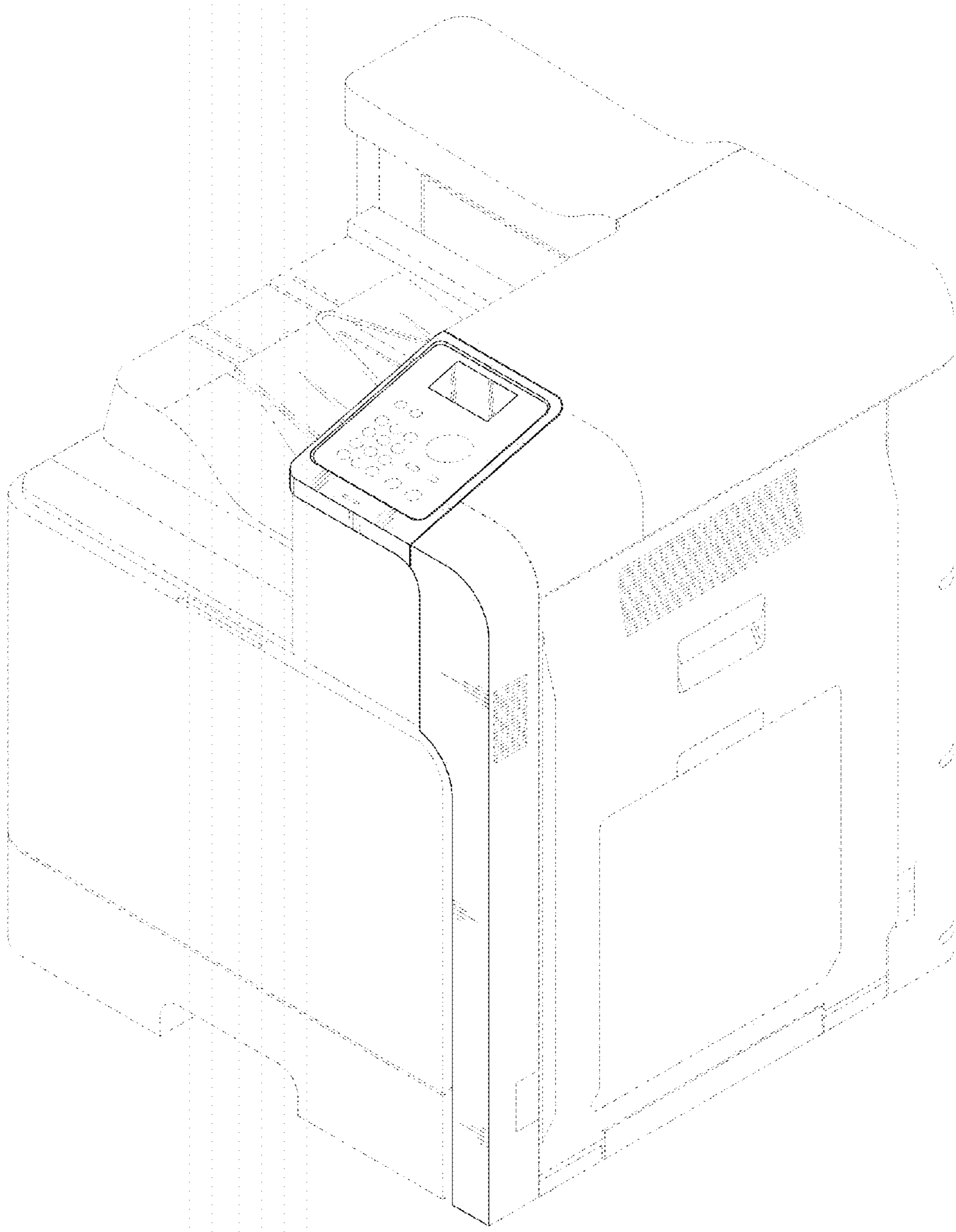


FIG. 2

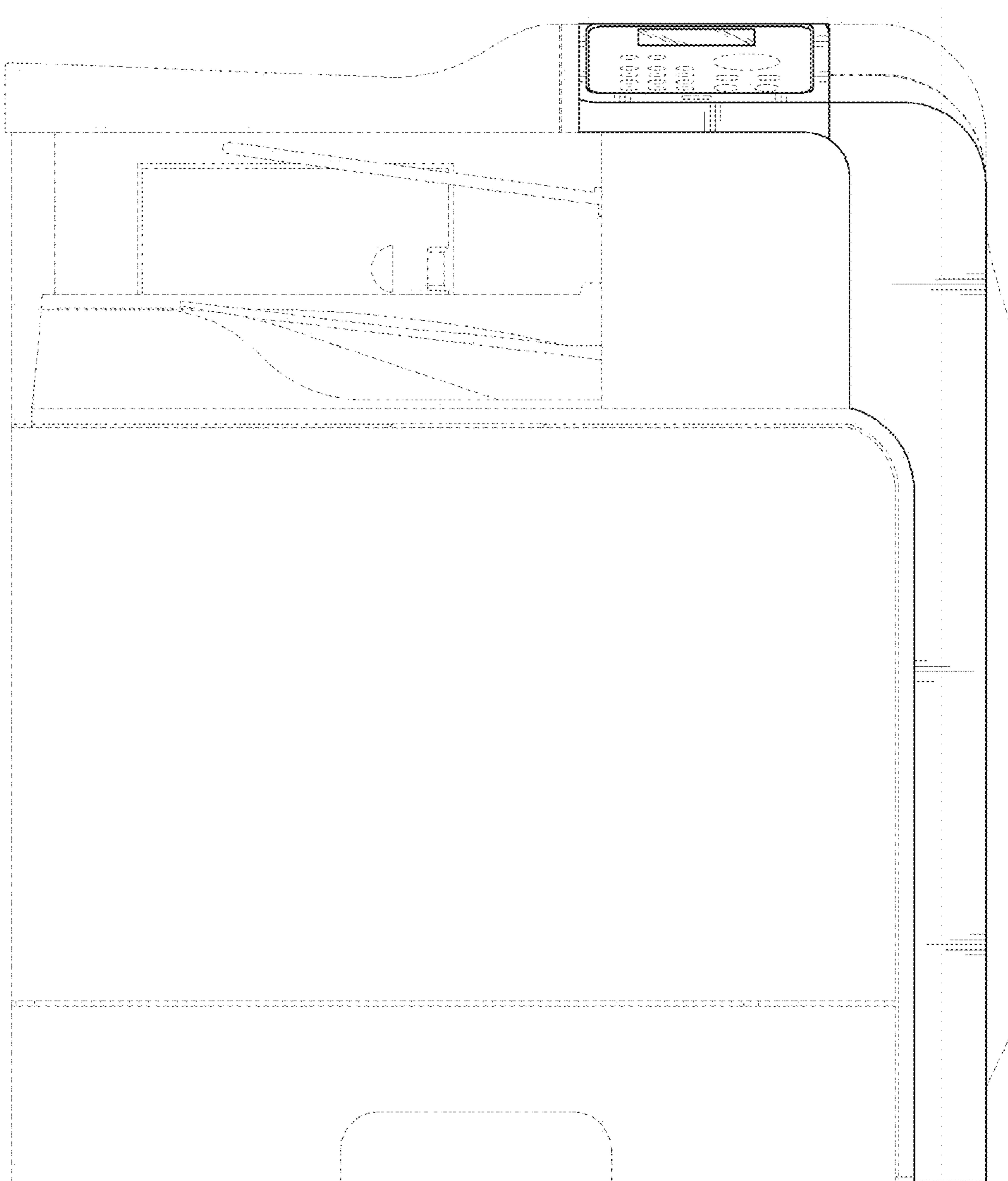


FIG. 3

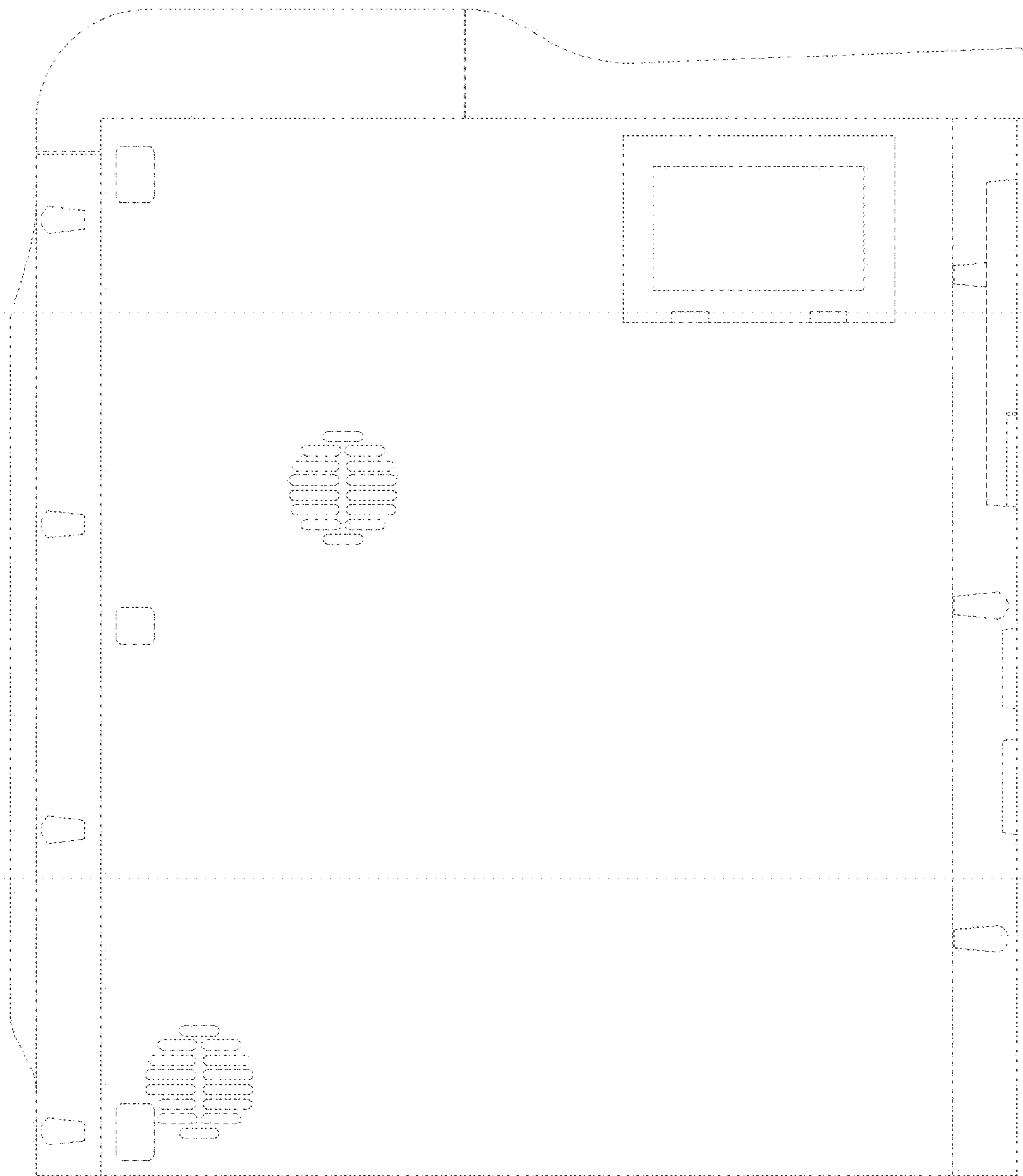


FIG. 4

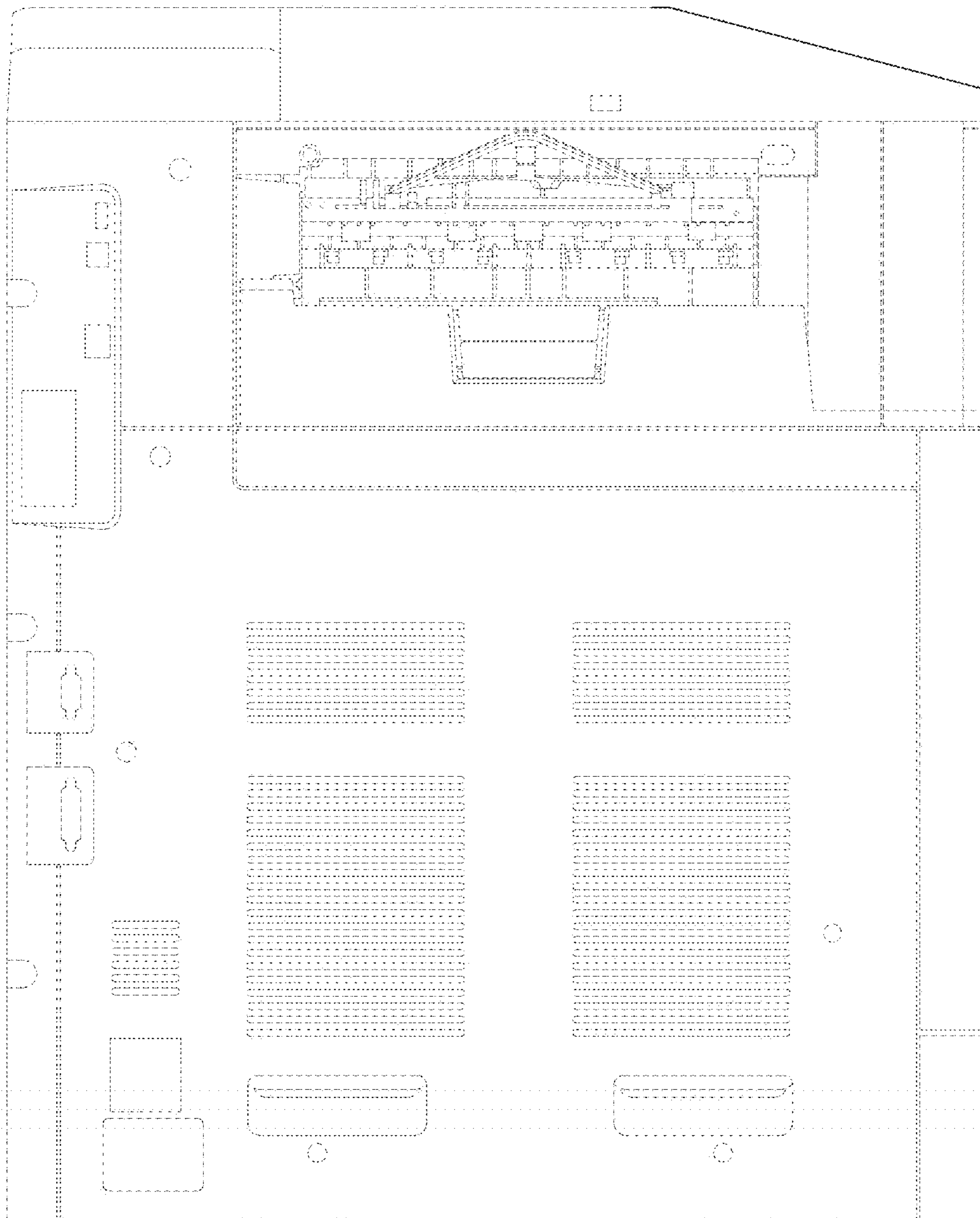


FIG. 5

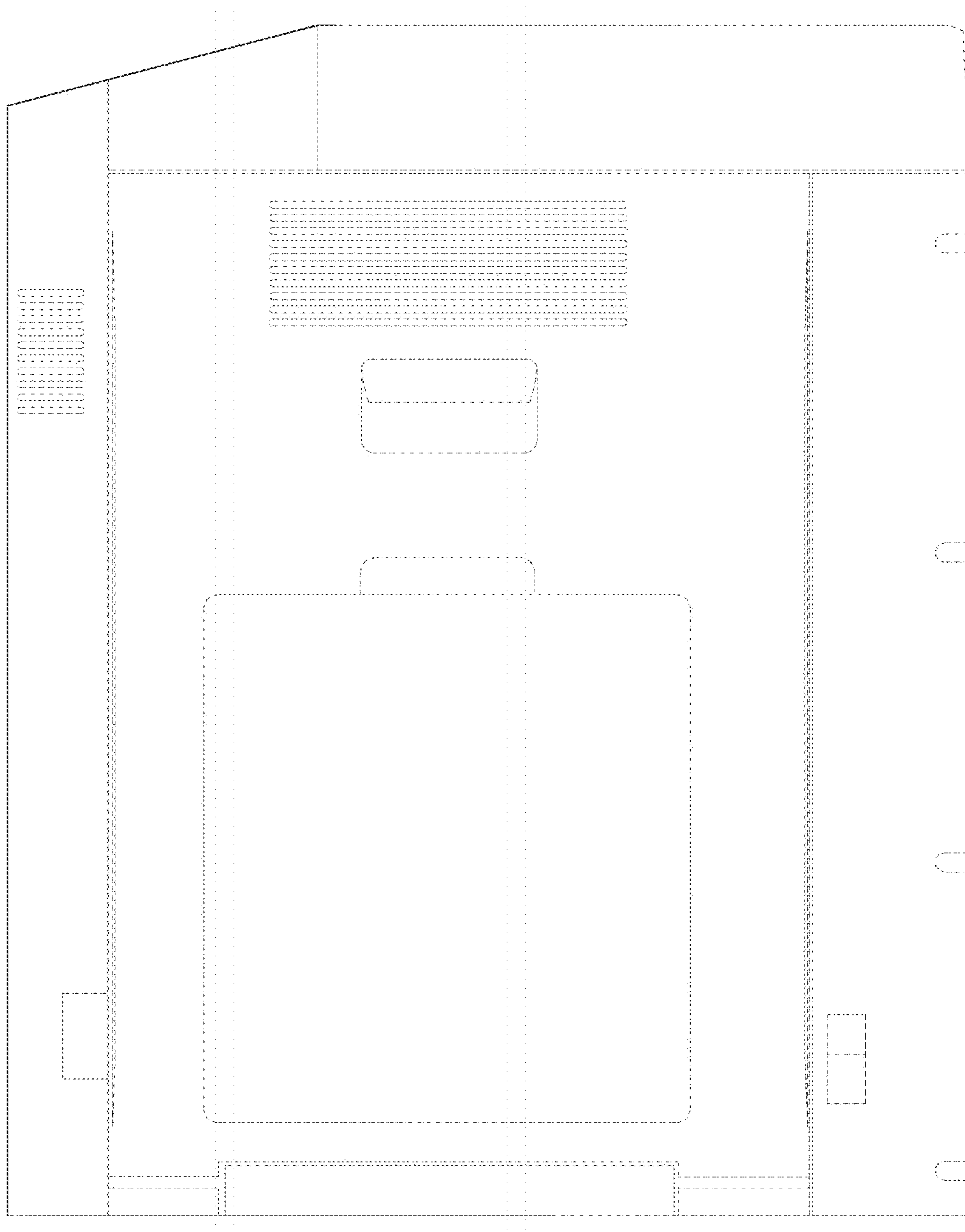


FIG. 6

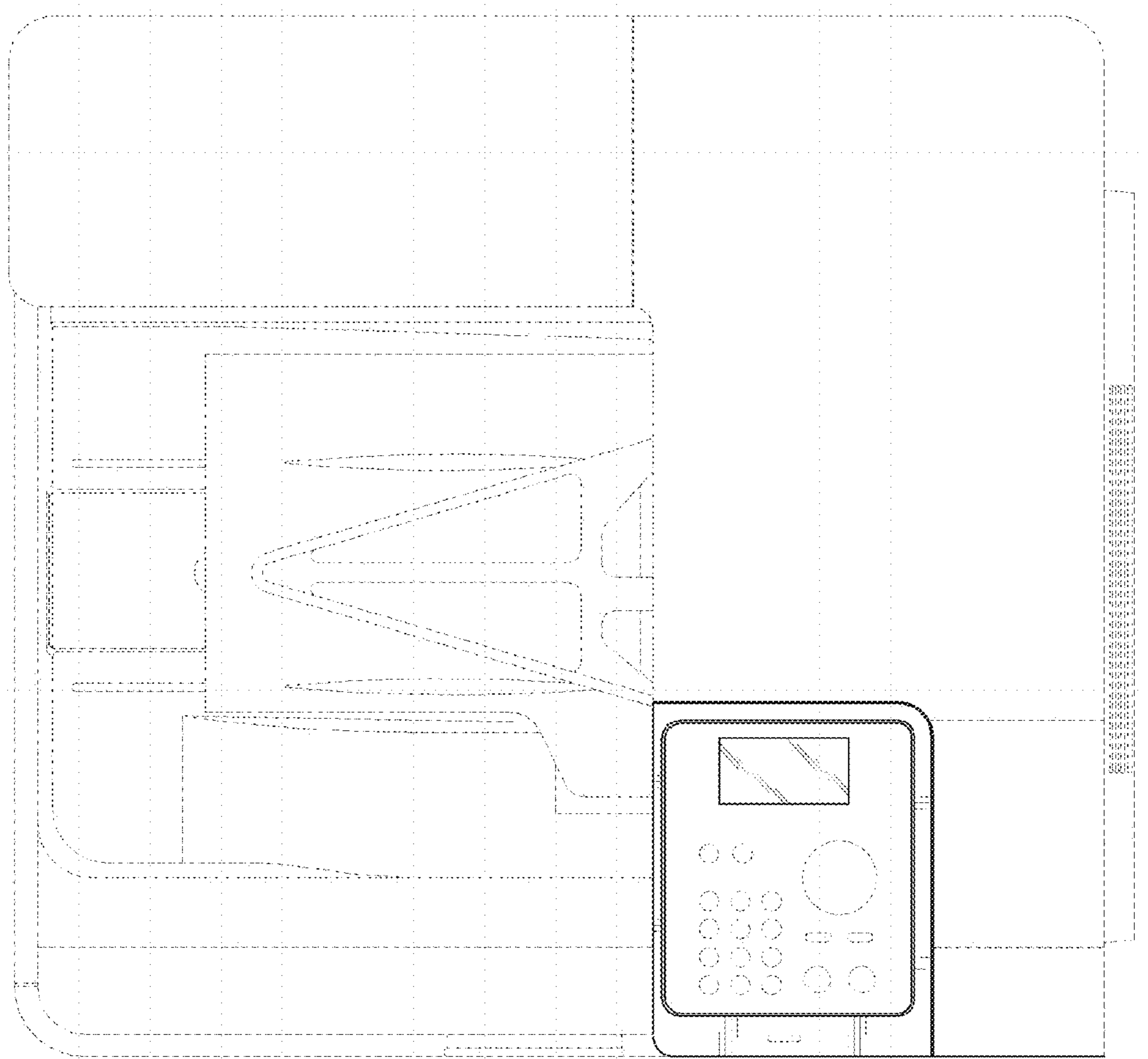


FIG. 7

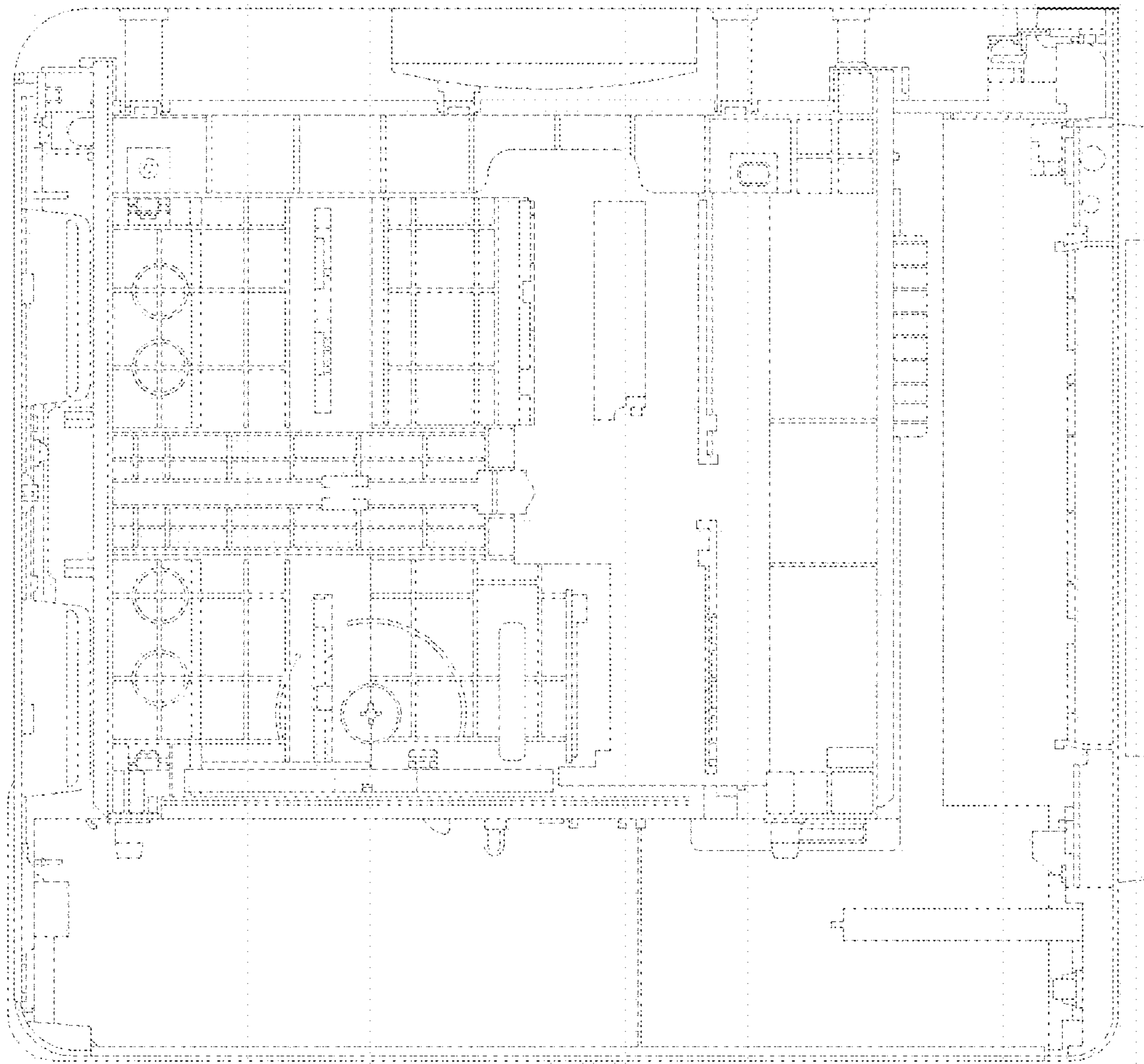


FIG. 8

