



US00D726252S

(12) **United States Design Patent**
Mizutani et al.

(10) **Patent No.:** **US D726,252 S**
(45) **Date of Patent:** **** Apr. 7, 2015**

(54) **CAP FOR AN INK CARTRIDGE**
(71) Applicant: **Seiko Epson Corporation**, Tokyo (JP)
(72) Inventors: **Tadahiro Mizutani**, Shiojiri (JP);
Atsushi Kobayashi, Matsumoto (JP);
Izumi Nozawa, Matsumoto (JP);
Hiroyuki Nakamura, Shiojiri (JP);
Ryota Takahashi, Matsumoto (JP)
(73) Assignee: **Seiko Epson Corporation**, Tokyo (JP)

6,550,890	B2 *	4/2003	Saijo	347/29
6,641,250	B2 *	11/2003	Saito	347/31
6,817,695	B1 *	11/2004	Aldrich et al.	347/29
7,021,741	B2 *	4/2006	Aldrich et al.	347/29
7,195,334	B2 *	3/2007	Nakamura	347/29
7,290,850	B2 *	11/2007	Nishino	347/29
7,311,375	B2 *	12/2007	Suzuki et al.	347/29
7,455,385	B2 *	11/2008	Takeda	347/29
D611,532	S *	3/2010	Nanjo et al.	D18/56
D618,722	S *	6/2010	Nakazawa	D18/56
8,376,510	B2 *	2/2013	Mealy et al.	347/32
D695,823	S *	12/2013	Nozawa et al.	D18/56
D699,284	S *	2/2014	Nanjo et al.	D18/56

(**) Term: **14 Years**

* cited by examiner

(21) Appl. No.: **29/464,546**

Primary Examiner — Cathy A MacCormac

(22) Filed: **Aug. 19, 2013**

(51) **LOC (10) Cl.** **18-02**

(52) **U.S. Cl.**
USPC **D18/56**

(58) **Field of Classification Search**
CPC B41J 2/14; B41J 2/165; B41J 2/16503;
B41J 2/16505; B41J 2/16508; B41J 2/16517;
B41J 2/16547
USPC D18/12, 40, 43, 56; 347/24, 29–32, 50,
347/86, 87
See application file for complete search history.

(57) **CLAIM**
The ornamental design for a cap for an ink cartridge, as shown and described.

DESCRIPTION

FIG. 1 is a front, top and right side perspective view of a cap for an ink cartridge showing our new design;
FIG. 2 is a rear, top and left side perspective view thereof;
FIG. 3 is a front view thereof;
FIG. 4 is a rear view thereof;
FIG. 5 is a top plan view thereof;
FIG. 6 is a bottom plan view thereof;
FIG. 7 is a right side view thereof; and,
FIG. 8 is a left side view thereof.
The features shown in broken lines in the drawings depict environmental subject matter only and form no part of the claimed design.

(56) **References Cited**

U.S. PATENT DOCUMENTS

5,644,346	A *	7/1997	Schwiebert et al.	347/33
5,867,184	A *	2/1999	Quintana	347/29
6,390,593	B1 *	5/2002	DeRoos et al.	347/31
6,422,681	B1 *	7/2002	Berg et al.	347/32
D465,803	S *	11/2002	Tajima	D18/56

1 Claim, 8 Drawing Sheets

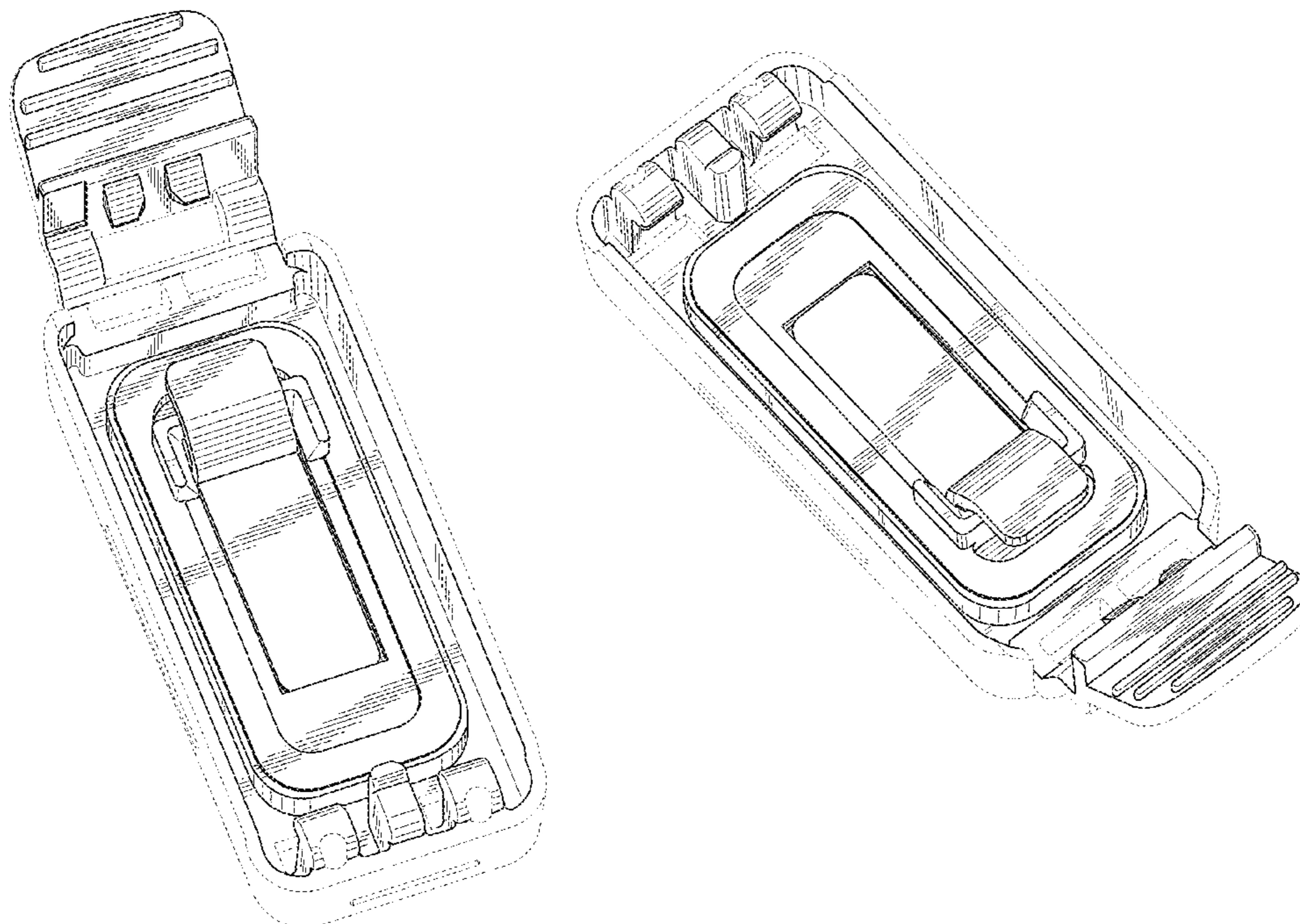


FIG. 1

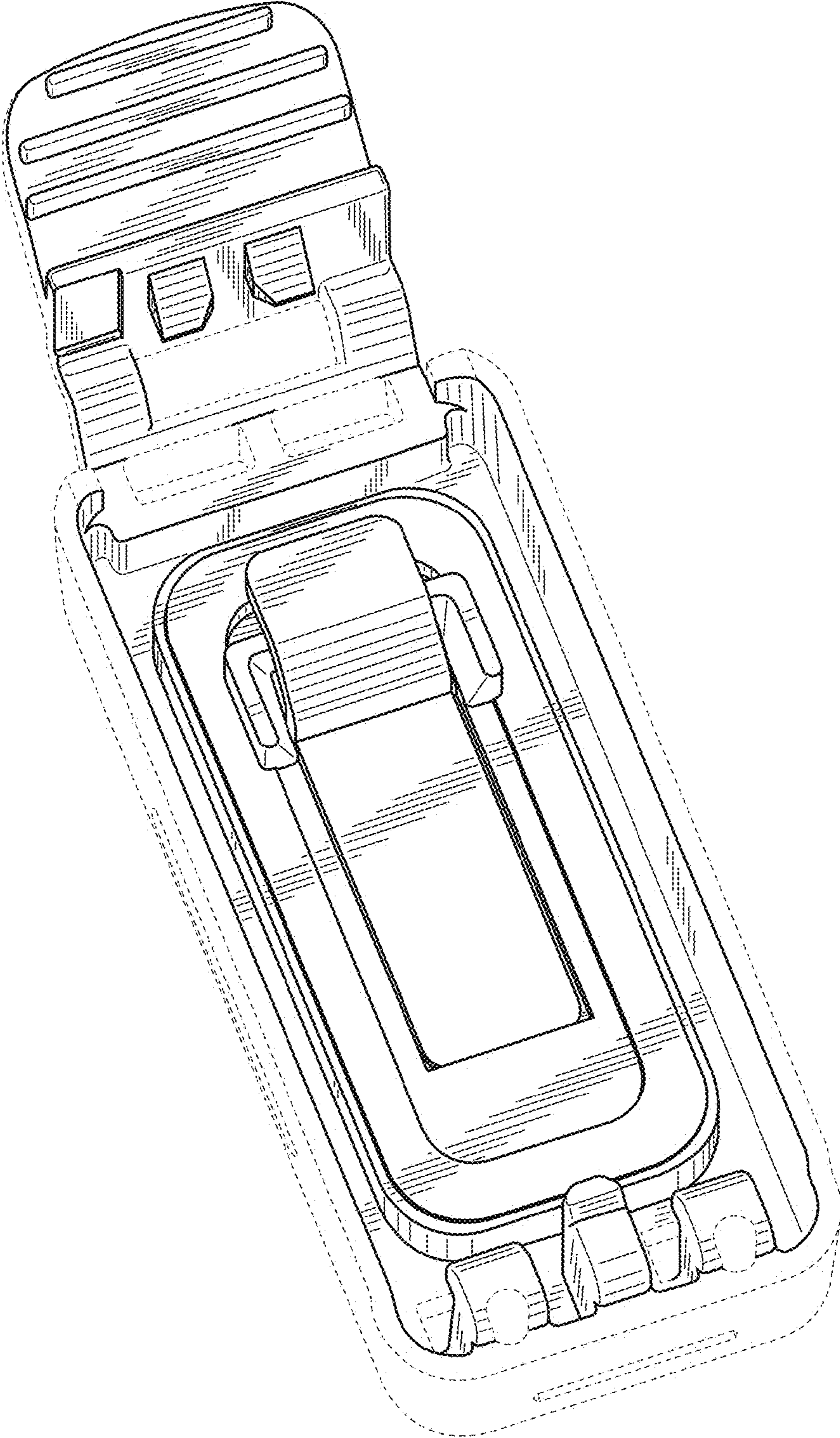


FIG. 2

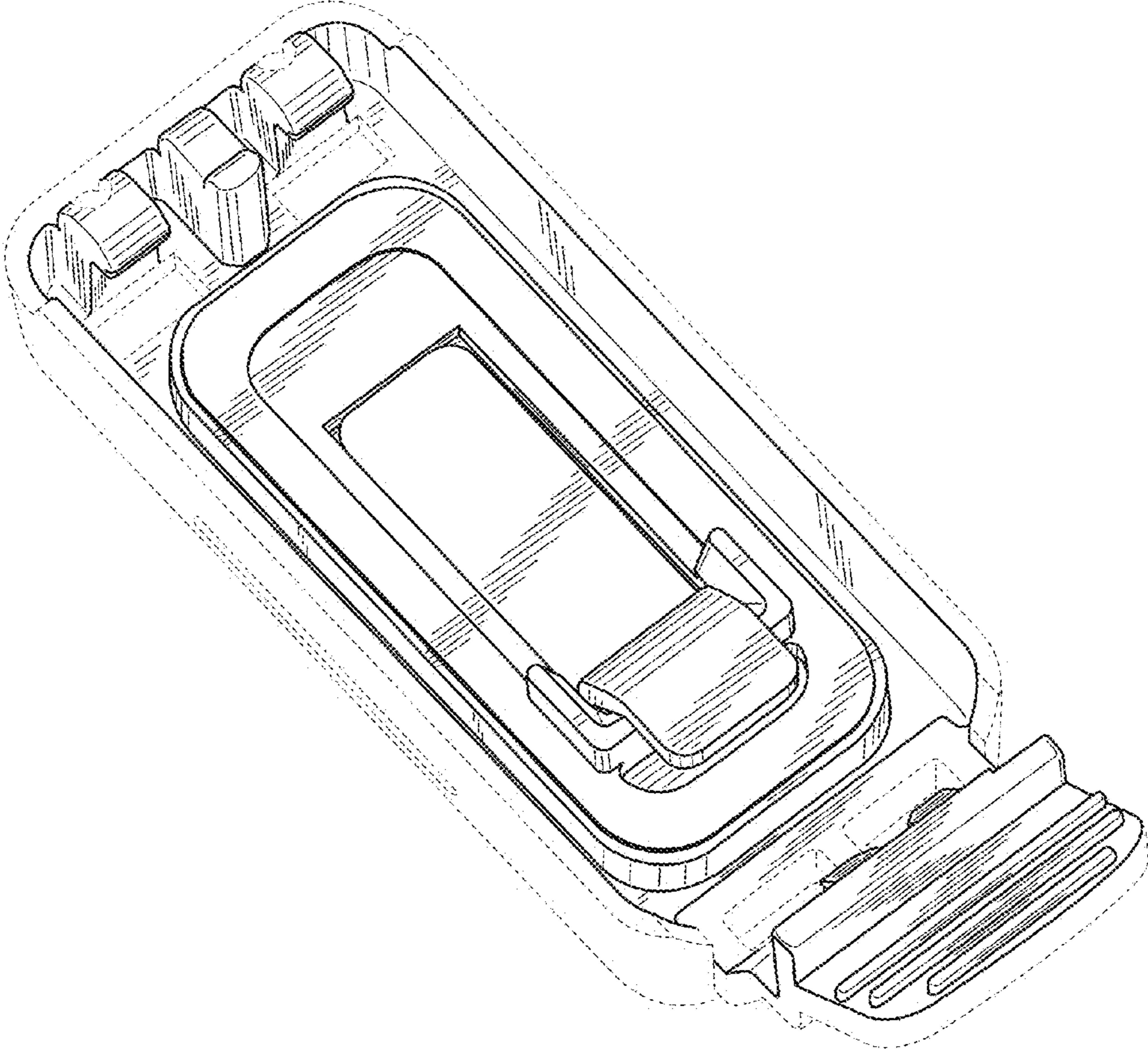


FIG. 3

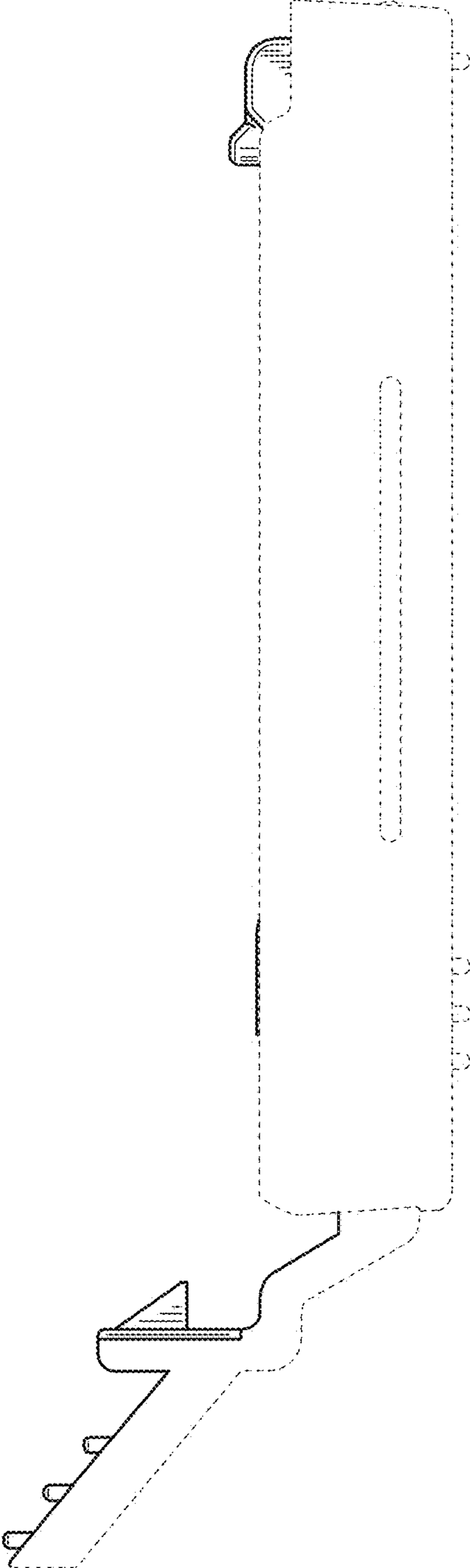


FIG. 4

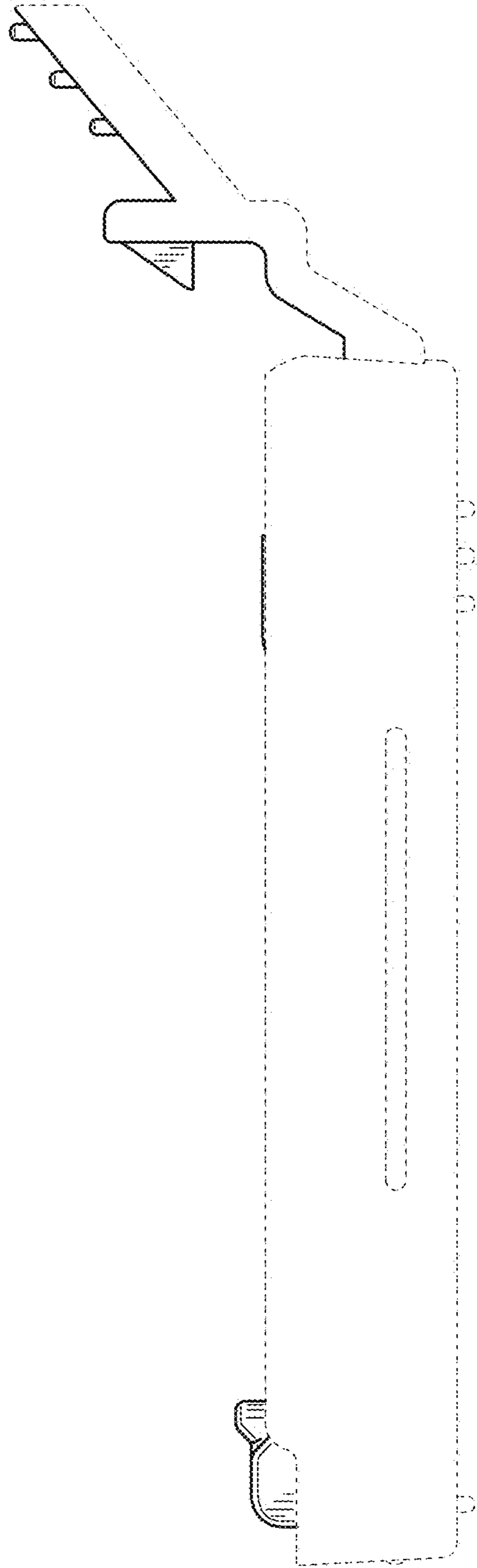


FIG. 5

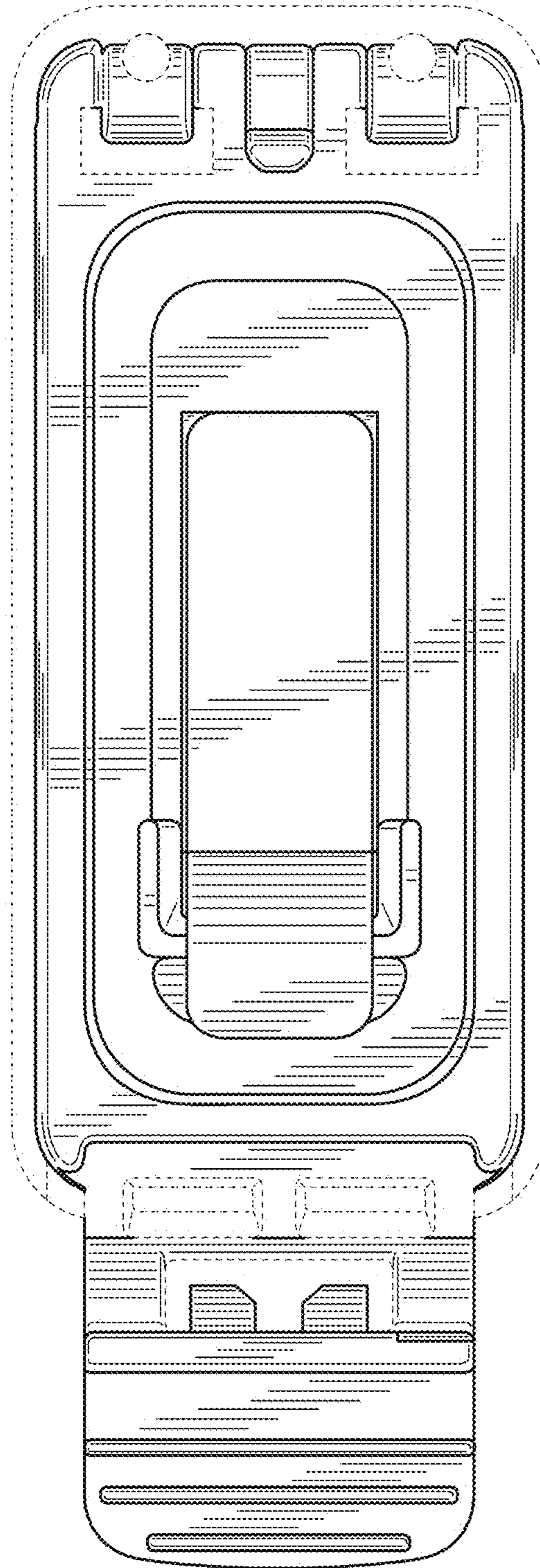


FIG. 6

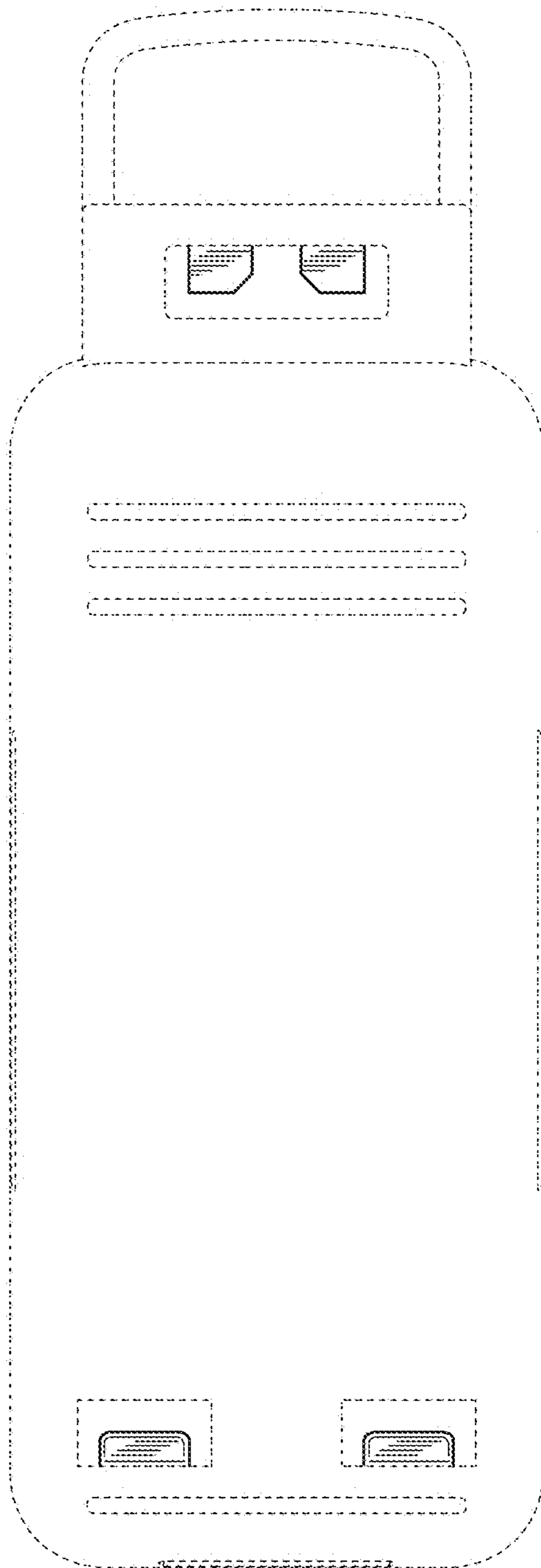


FIG. 7

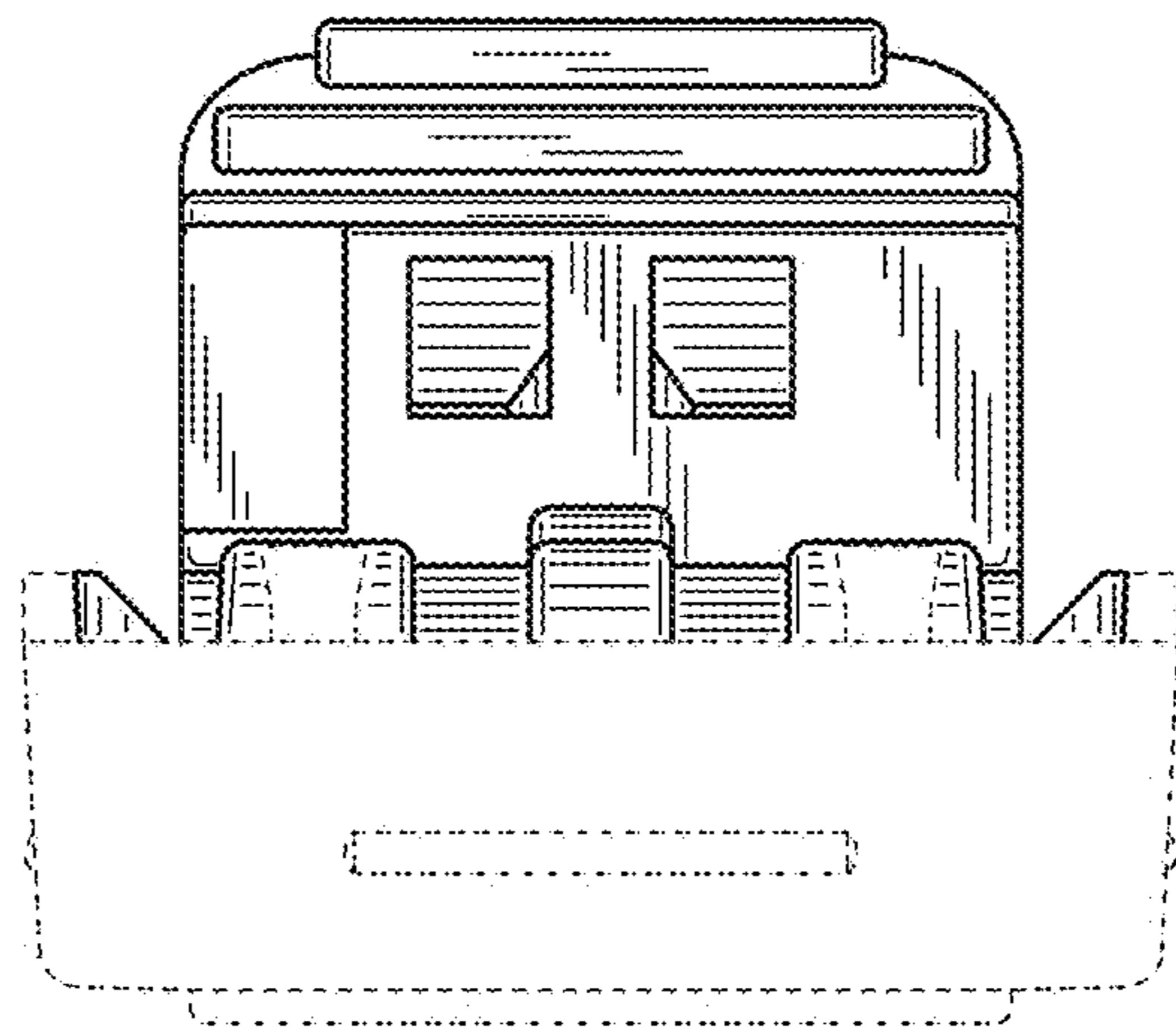


FIG. 8

