



US00D726250S

(12) **United States Design Patent**
Kim et al.

(10) **Patent No.:** **US D726,250 S**
(45) **Date of Patent:** **** Apr. 7, 2015**

(54) **MULTI-FUNCTION PRINTER**

D688,742 S * 8/2013 Kim et al. D18/55
D695,339 S * 12/2013 Fukasawa et al. D18/55
8,718,533 B2 * 5/2014 Yoon 400/693

(71) Applicants: **Kyong-Hwan Kim**, Seoul (KR);
Min-Chul Kim, Seoul (KR);
Seung-Wook Jeong, Seoul (KR); **Naoto Fukasawa**, Tokyo (JP)

(72) Inventors: **Kyong-Hwan Kim**, Seoul (KR);
Min-Chul Kim, Seoul (KR);
Seung-Wook Jeong, Seoul (KR); **Naoto Fukasawa**, Tokyo (JP)

(73) Assignee: **Samsung Electronics Co., Ltd.**,
Suwon-si, Gyeonggi-do (KR)

(**) Term: **14 Years**

(21) Appl. No.: **29/461,719**

(22) Filed: **Jul. 26, 2013**

(30) **Foreign Application Priority Data**

Jan. 29, 2013 (KR) 30-2013-0005083

(51) **LOC (10) Cl.** **14-12**

(52) **U.S. Cl.**
USPC **D18/55**

(58) **Field of Classification Search**
USPC D18/14, 19, 36-39, 50, 53, 54, 54.1,
D18/55; D14/420-425, 462-470; 400/613,
400/613.1-613.4, 690.1-690.4, 691-694
See application file for complete search history.

(56) **References Cited**

U.S. PATENT DOCUMENTS

D536,372 S 2/2007 Lim et al.
D577,763 S * 9/2008 Hidaka et al. D18/39
D626,587 S * 11/2010 Ishio et al. D18/39
D682,928 S * 5/2013 Kim et al. D18/55

OTHER PUBLICATIONS

U.S. Appl. No. 29/427,372, Applicant: Naoto Fukasawa et al., filed Jul. 17, 2012 entitled Printer, D697967.
U.S. Appl. No. 29/427,368, Applicant: Naoto Fukasawa et al., filed Jul. 17, 2012 entitled Printer, D697966.
U.S. Appl. No. 29/422,982, Applicant: Naoto Fukasawa et al., filed May 25, 2012 entitled Printer, D698389.
U.S. Appl. No. 29/445,993, Applicant: Kyong-Hwan Kim et al., filed Feb. 19, 2013 entitled Multi-Function Printer, D702760.
U.S. Appl. No. 29/461,723, Applicant: Jong-Kyu Kim et al., filed Jul. 26, 2013 entitled Multi-Function Printer, Pending.
U.S. Appl. No. 29/461,722, Applicant: Jong-Kyu Kim et al., filed Jul. 26, 2013 entitled Multi-Function Printer, Pending.

* cited by examiner

Primary Examiner — Cathy A MacCormac

(74) *Attorney, Agent, or Firm* — Flynn, Thiel, Boutell & Tanis, P.C.

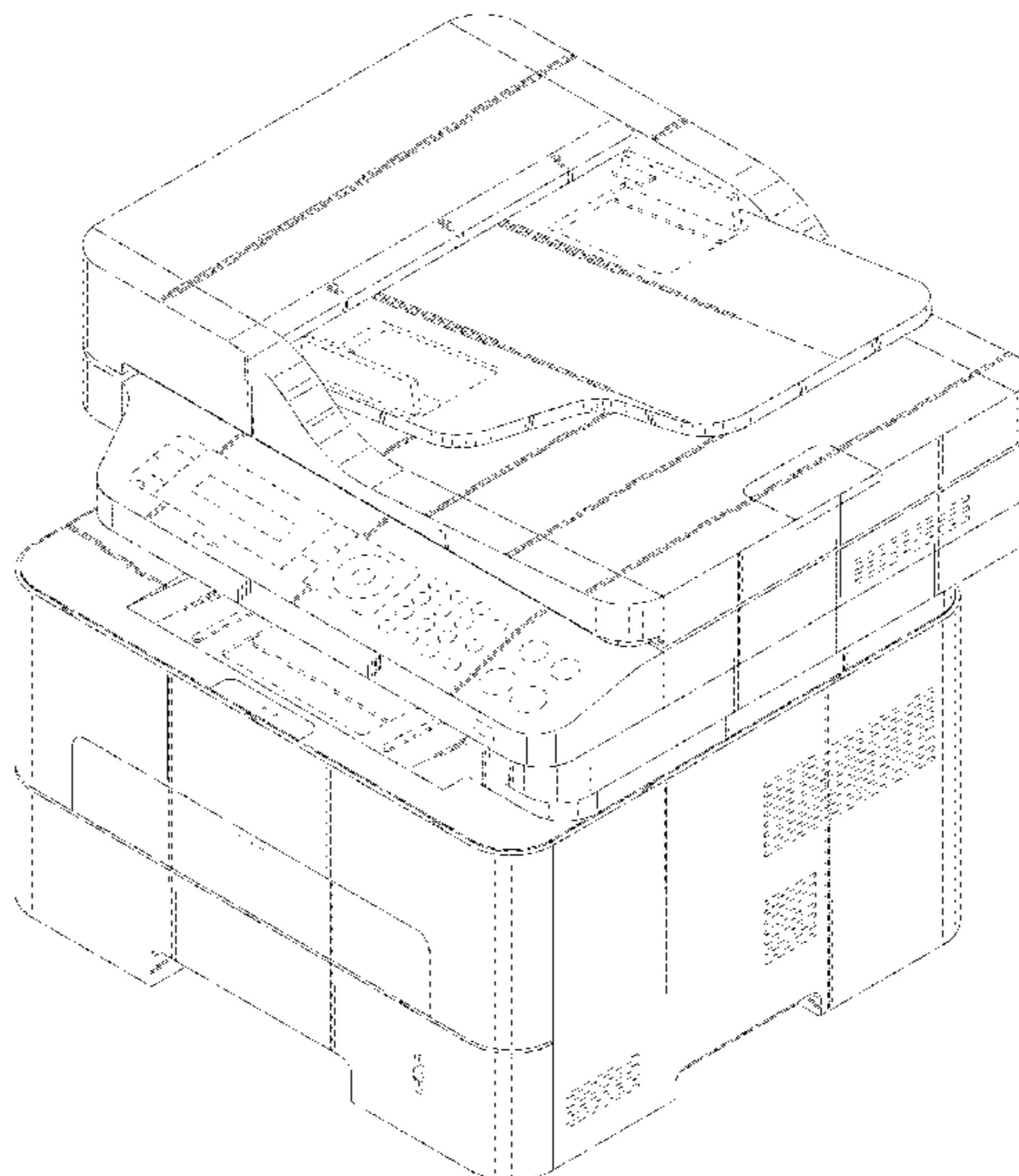
(57) **CLAIM**

The ornamental design for a multi-function printer, as shown and described.

DESCRIPTION

FIG. 1 is a top front perspective view of a multi-function printer showing our new design;
FIG. 2 is a front view thereof;
FIG. 3 is a rear view thereof;
FIG. 4 is a left side view thereof;
FIG. 5 is a right side view thereof;
FIG. 6 is a top view thereof; and,
FIG. 7 is a bottom view thereof.
The broken lines illustrating portions of the multi-function printer are for environmental purposes only and form no part of the claimed design.

1 Claim, 7 Drawing Sheets



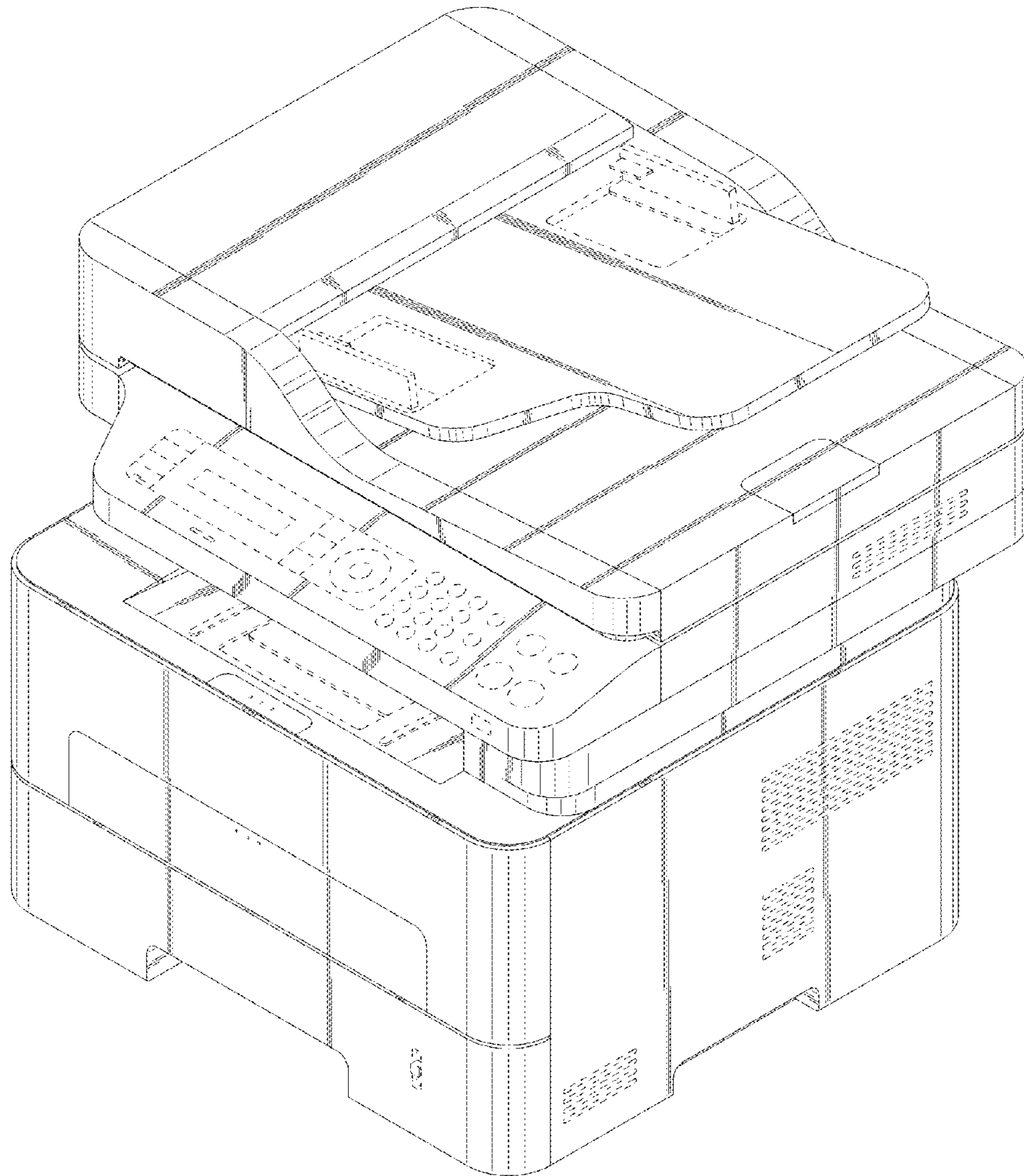


FIG. 1

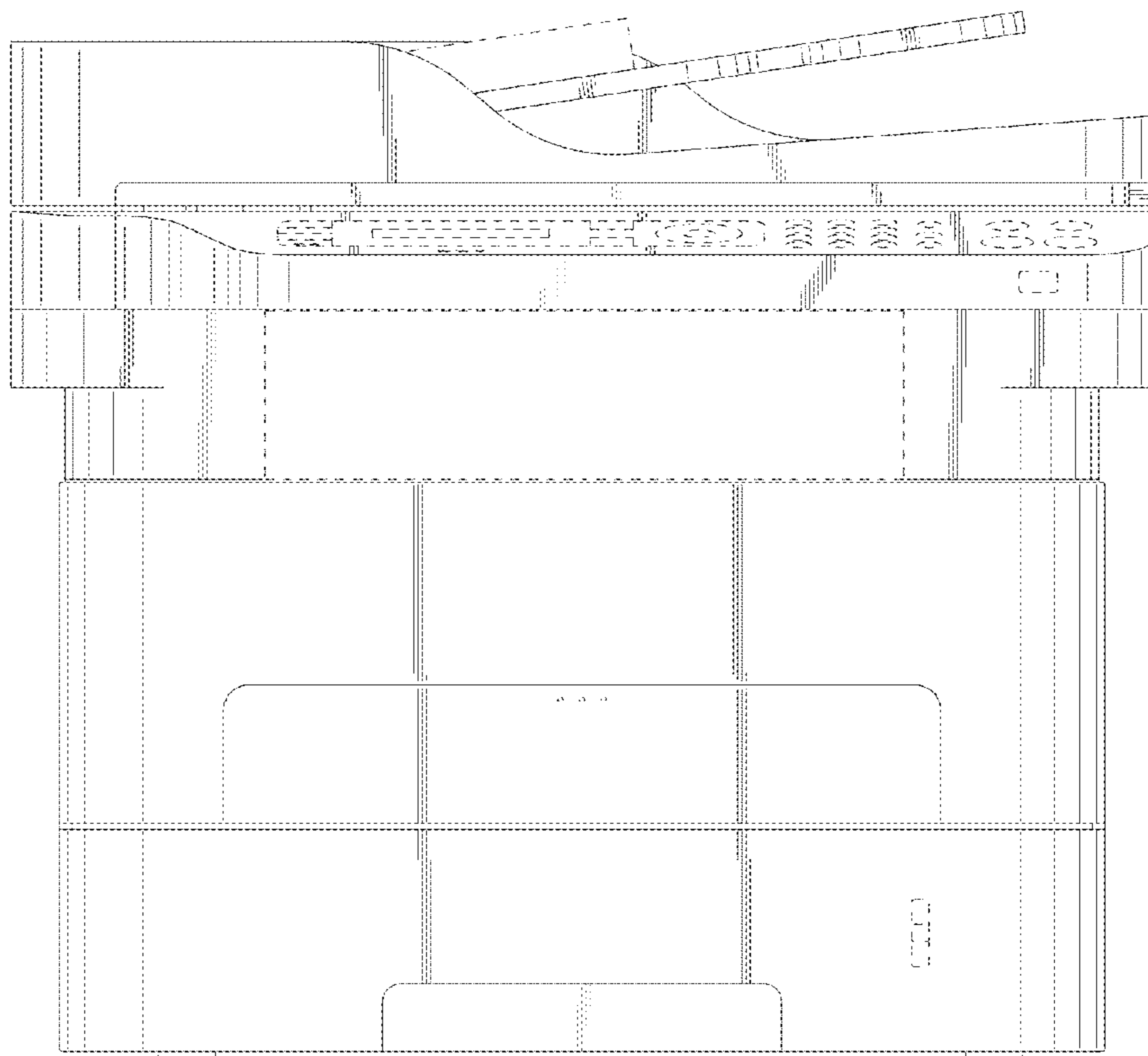


FIG. 2

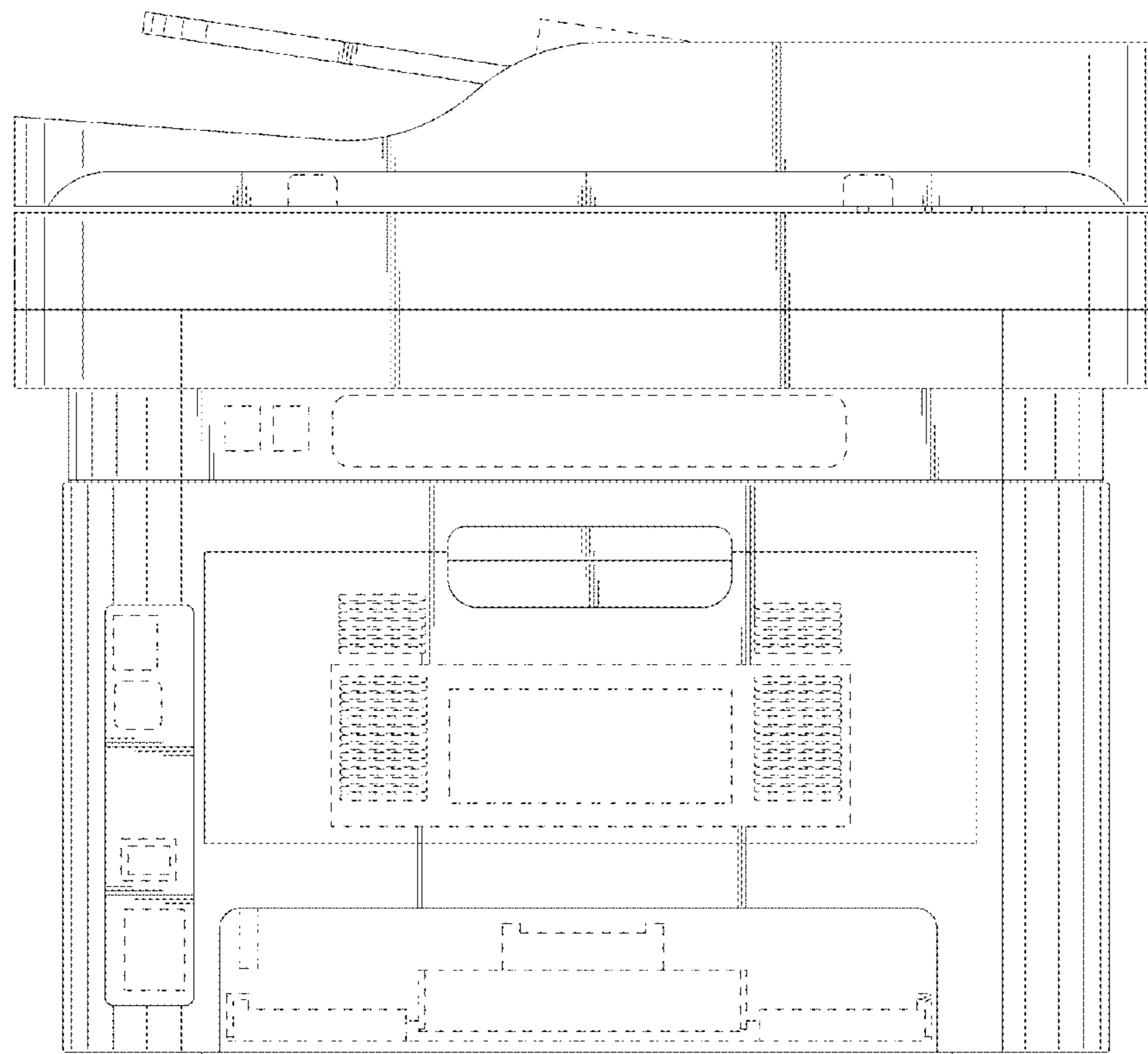


FIG. 3

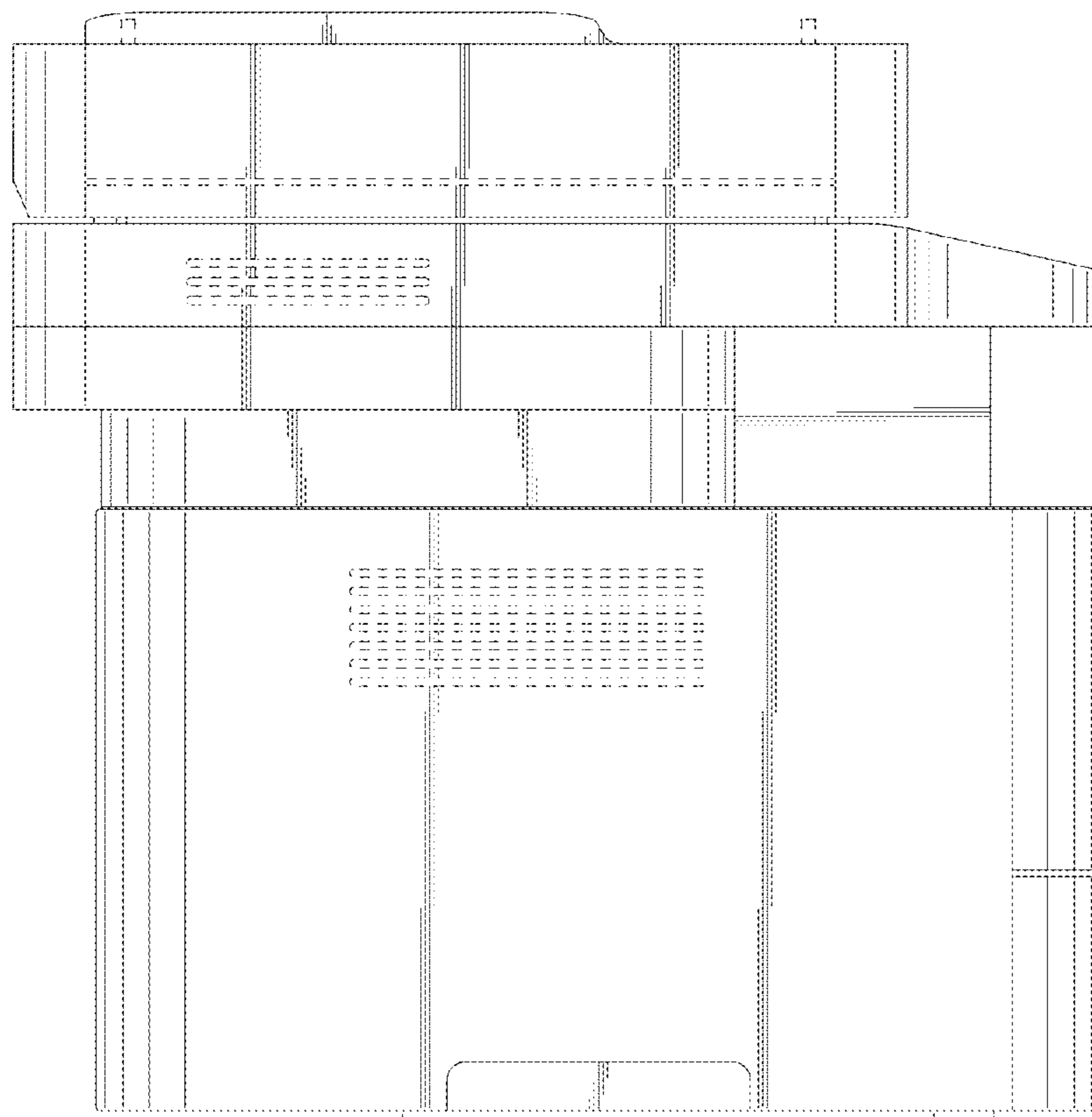


FIG. 4

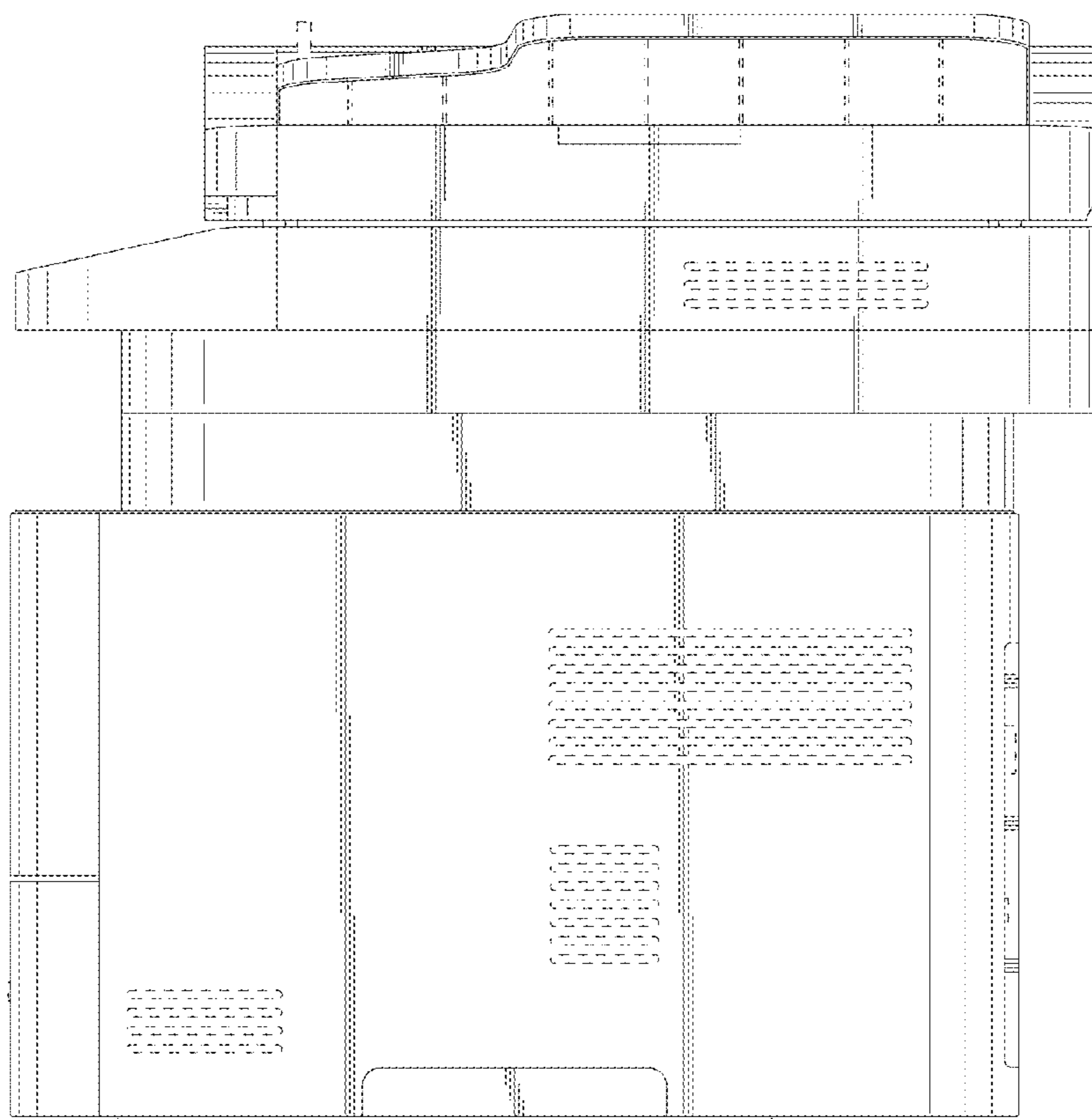


FIG. 5

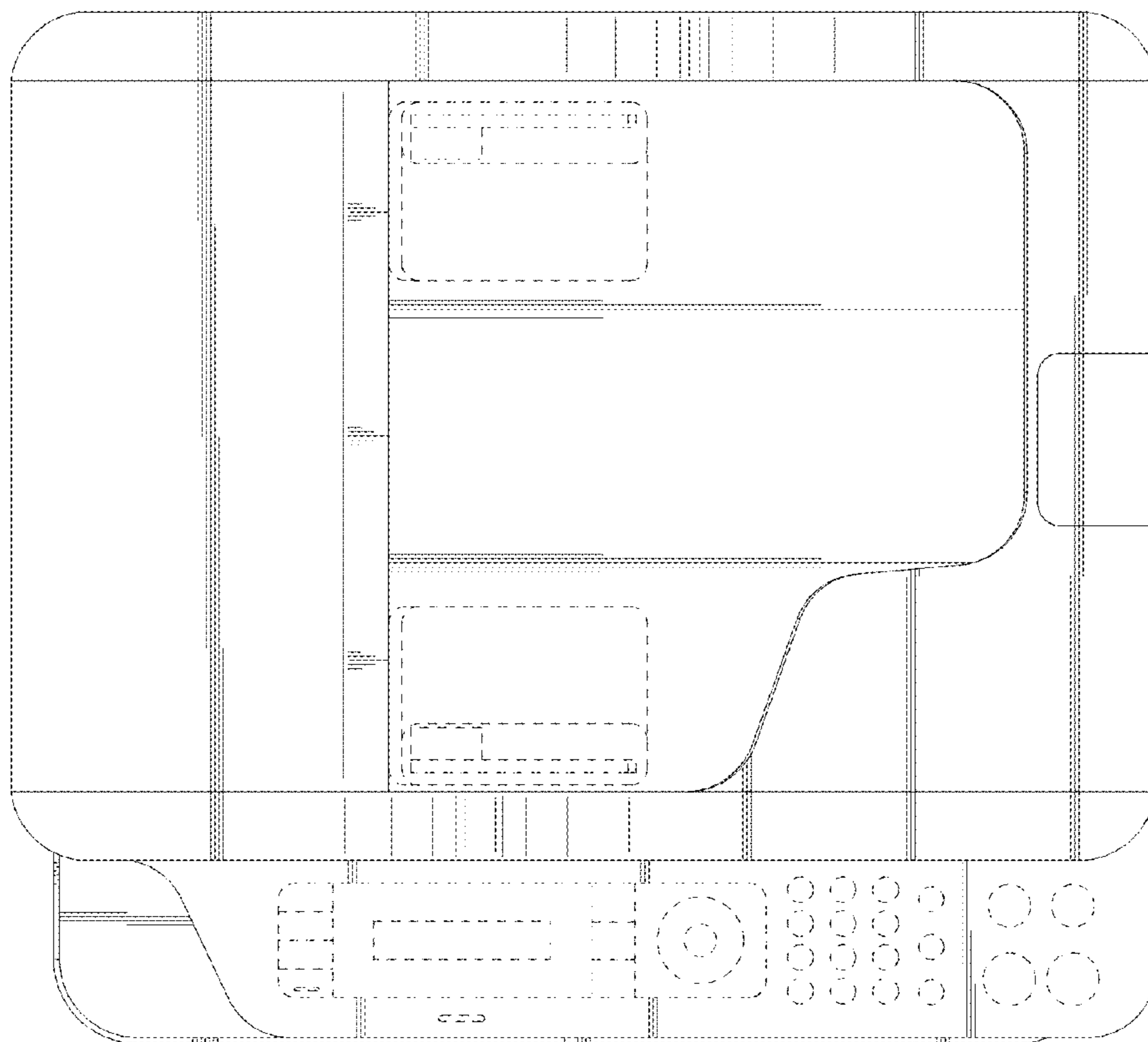


FIG. 6

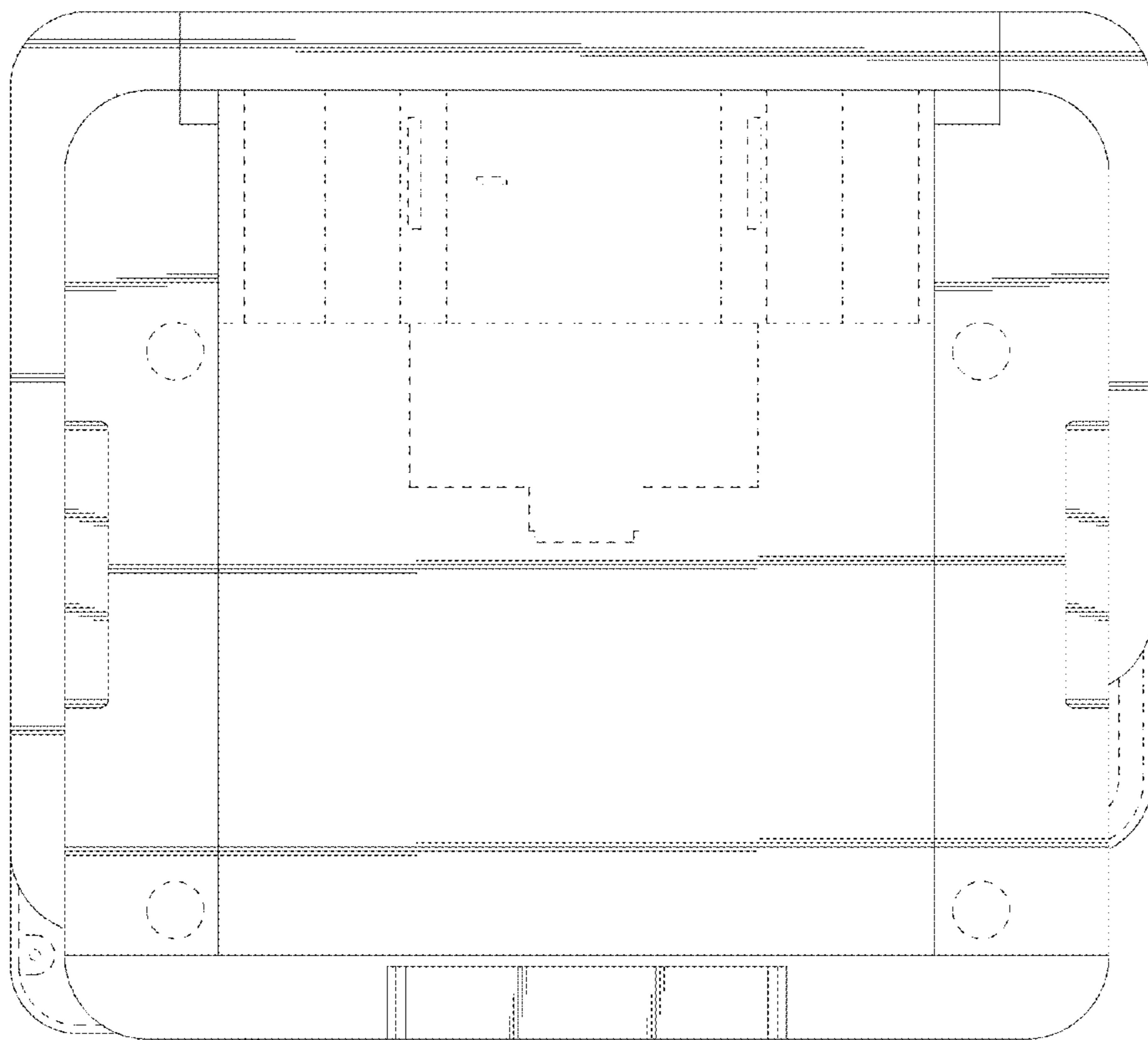


FIG. 7